



US00D472669S

(12) **United States Design Patent**
Homann

(10) **Patent No.:** **US D472,669 S**

(45) **Date of Patent:** **** Apr. 1, 2003**

(54) **TRIM RING FOR CEILING LIGHT FIXTURE**

(75) Inventor: **Alfred Homann**, Copenhagen (DK)

(73) Assignee: **Louis Poulsen Lighting, Inc.**, Ft. Lauderdale, FL (US)

(**) Term: **14 Years**

(21) Appl. No.: **29/164,587**

(22) Filed: **Jul. 29, 2002**

Related U.S. Application Data

(62) Division of application No. 29/152,387, filed on Dec. 21, 2001.

(51) **LOC (7) Cl.** **26-99**

(52) **U.S. Cl.** **D26/118; D26/152**

(58) **Field of Search** D26/74, 113, 118,
D26/138, 139, 142, 152; 362/363, 364,
365, 454

(56) **References Cited**

U.S. PATENT DOCUMENTS

D341,443 S	*	11/1993	Shapiro	D26/118
D346,239 S	*	4/1994	Vamberszky et al.	D26/118
D370,550 S	*	6/1996	Lecluze	D26/118
D417,747 S	*	12/1999	Pahl et al.	D26/118

OTHER PUBLICATIONS

Brochure—Light and Architecture, Louis Poulsen, 8 pages.
Brochure—Light and Architecture, Louis Poulsen, 17 pages.

* cited by examiner

Primary Examiner—Jennifer Rivard

(74) *Attorney, Agent, or Firm*—Jacobson Holman PLLC

(57) **CLAIM**

The ornamental design for a trim ring for ceiling light fixture, as shown and described.

DESCRIPTION

FIG. 1 is a bottom perspective view showing my new design for a trim ring for ceiling light fixture;
FIG. 2 is a top perspective view thereof;
FIG. 3 is a bottom view thereof;
FIG. 4 is a side view, with the opposite side being a mirror image thereof;
FIG. 5 is a bottom perspective view of an alternate embodiment of trim ring for ceiling light fixture;
FIG. 6 is a top perspective view thereof;
FIG. 7 is a bottom view thereof; and,
FIG. 8 is a side view, with the opposite side being a mirror image thereof.

1 Claim, 4 Drawing Sheets

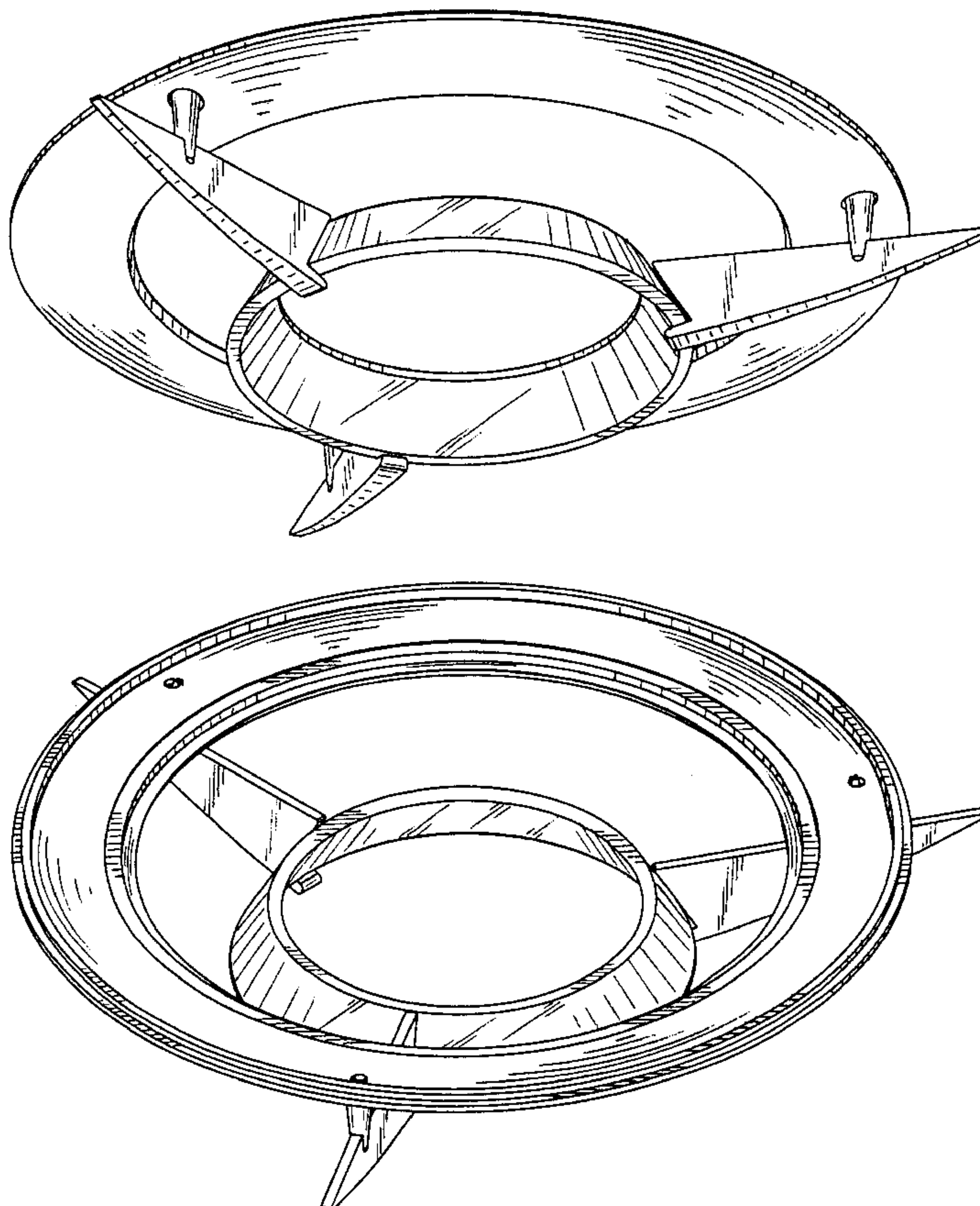


FIG. 1

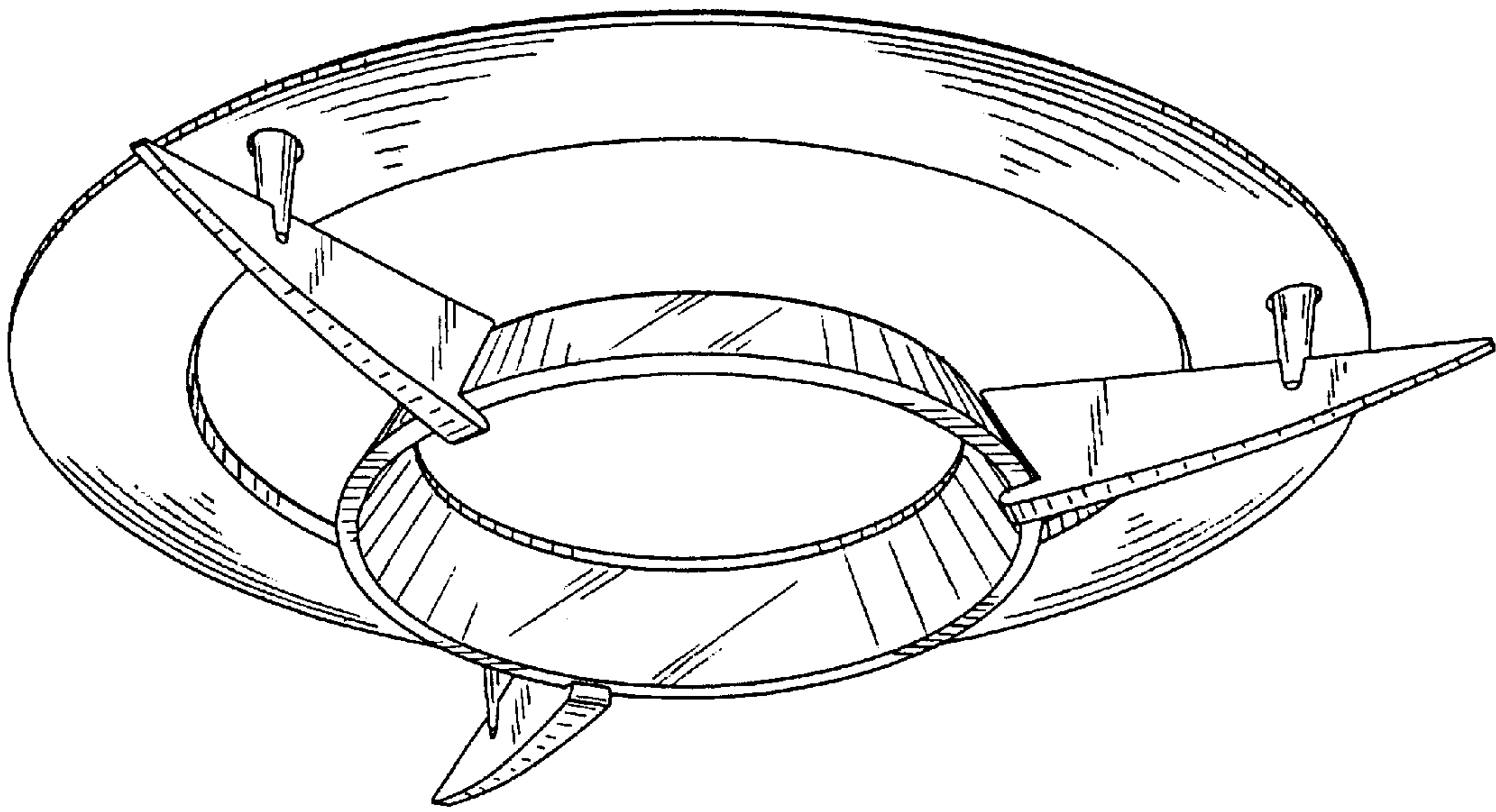


FIG. 2

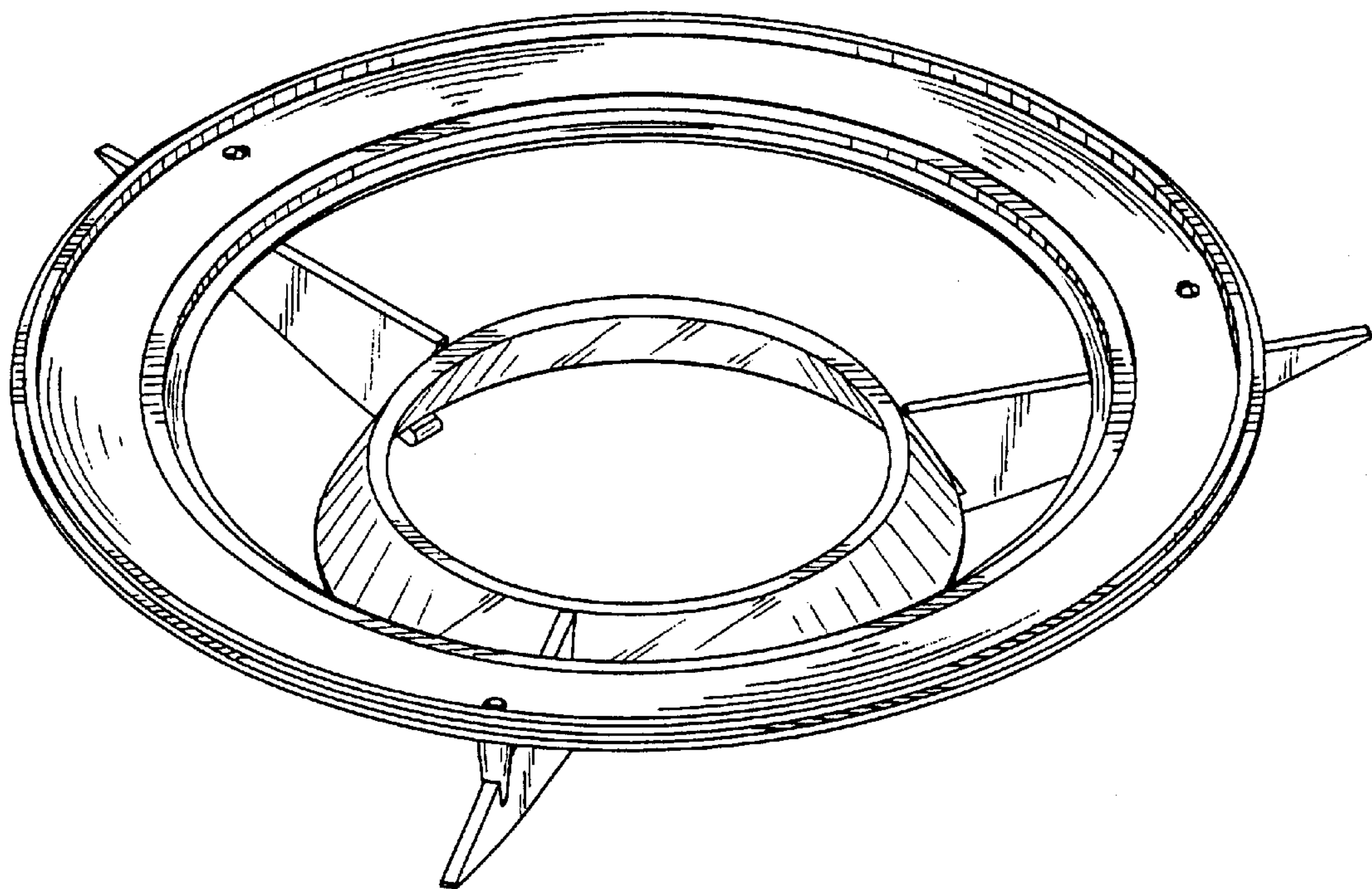


FIG. 3

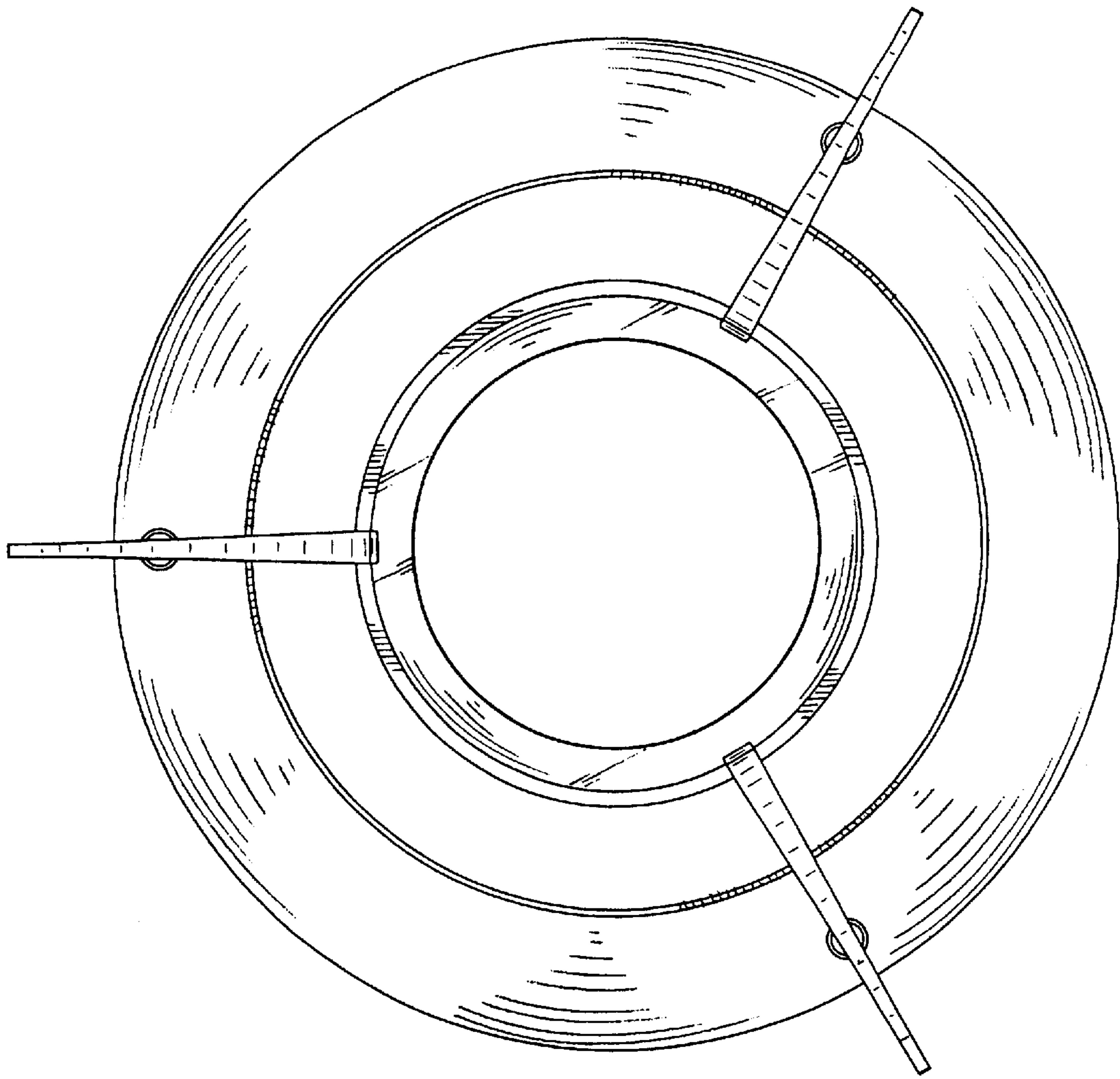


FIG. 4

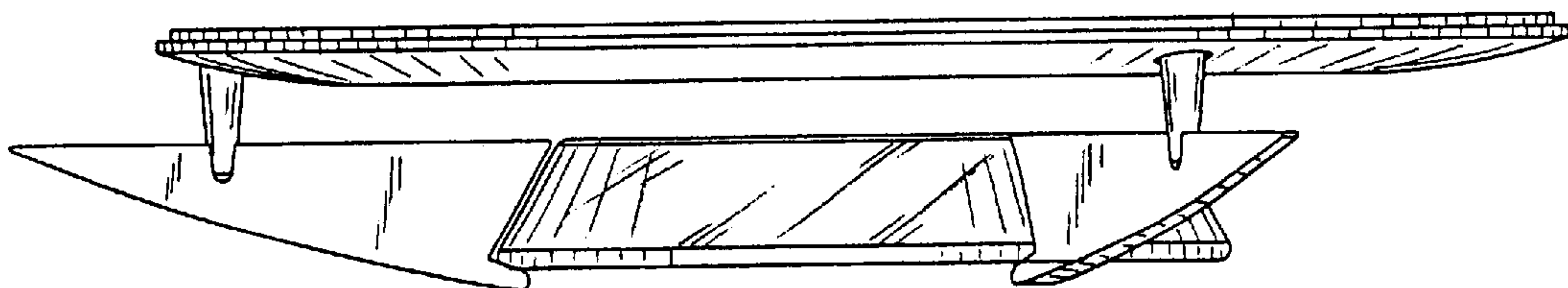


FIG. 5

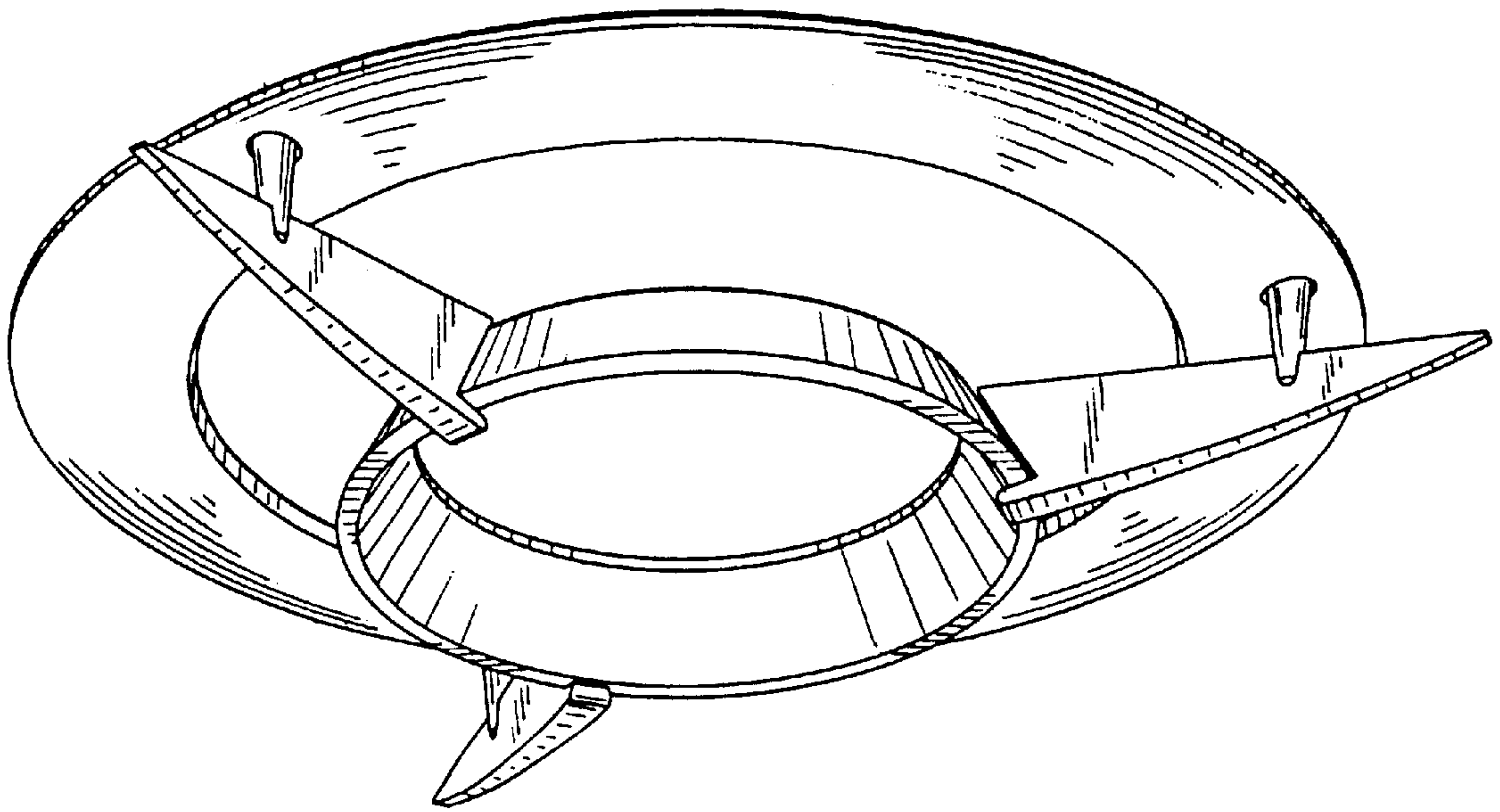


FIG. 6

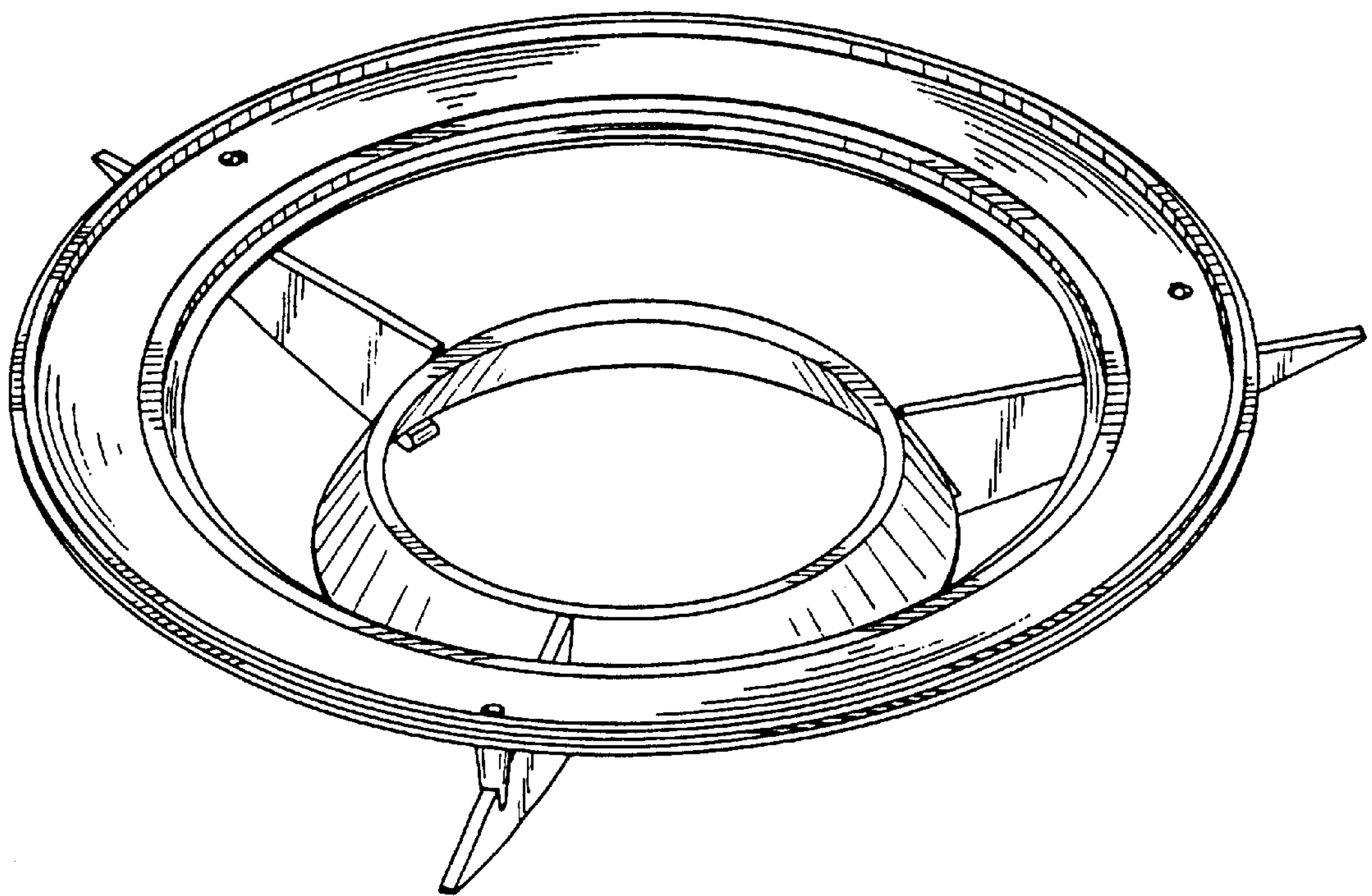


FIG. 7

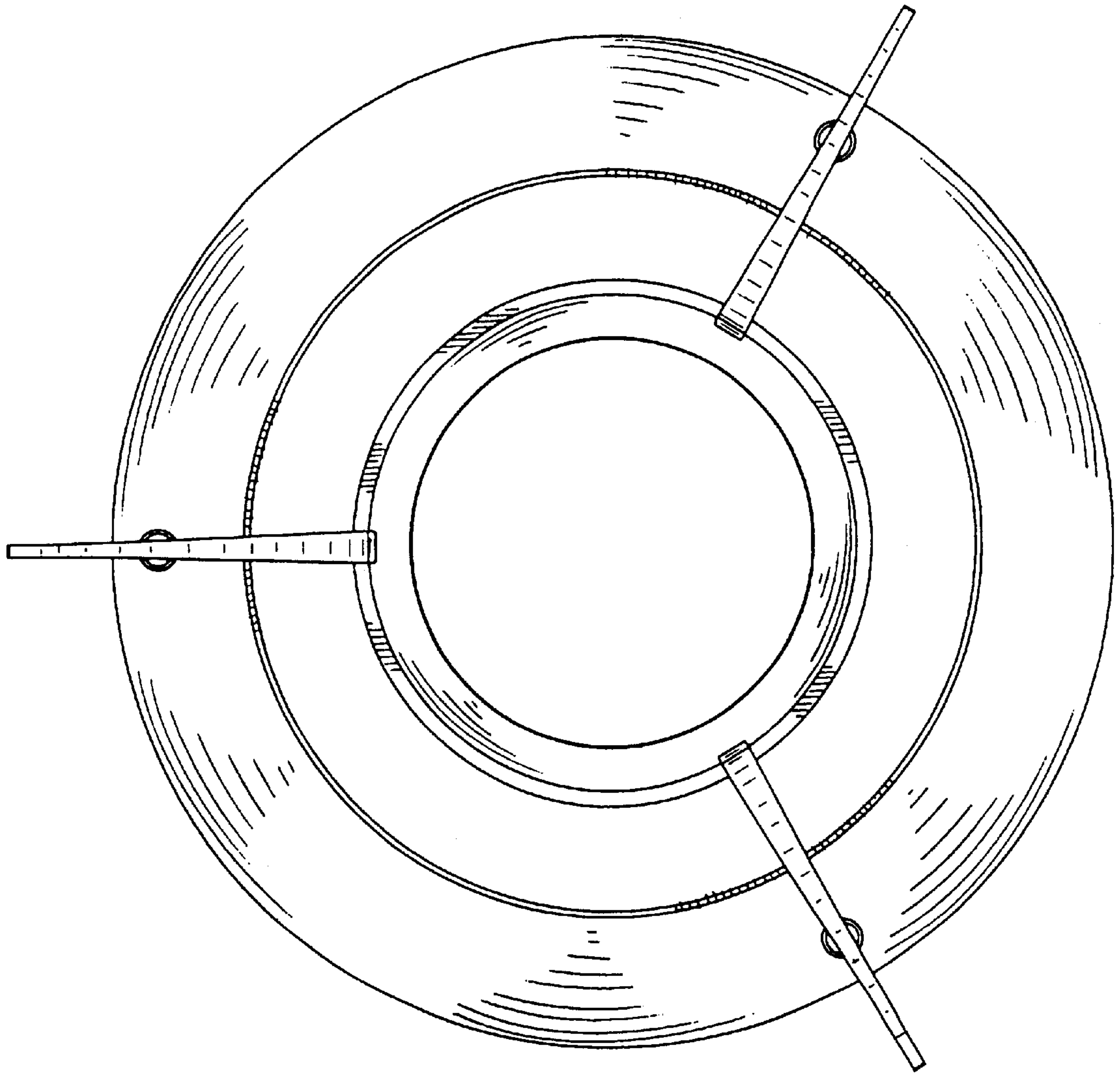


FIG. 8

