



US00D472667S

(12) **United States Design Patent**
Herst et al.

(10) **Patent No.:** **US D472,667 S**

(45) **Date of Patent:** **** Apr. 1, 2003**

- (54) **LIGHTING FIXTURE HOUSING**
- (75) Inventors: **Douglas J. Herst**, Ross, CA (US);
Utkan Salman, Oakland, CA (US)
- (73) Assignee: **Acuity Brands, Inc.**, Atlanta, GA (US)
- (**) Term: **14 Years**
- (21) Appl. No.: **29/152,939**
- (22) Filed: **Dec. 24, 2001**
- (51) **LOC (7) Cl.** **26-99**
- (52) **U.S. Cl.** **D26/118; D26/76**
- (58) **Field of Search** D26/75-77, 118,
D26/138; 362/219, 223, 341, 346, 225,
296, 362, 457

- (56) **References Cited**
- U.S. PATENT DOCUMENTS**
- D129,836 S * 10/1941 Koegel D26/76
- 5,051,878 A * 9/1991 Ngai 362/346
- 5,658,066 A * 8/1997 Hirsch 362/219

- OTHER PUBLICATIONS**
- Peerless Lighting Corporation, "Envision", catalog, 1994.
- Peerless Lighting Corporation, "6x2", catalog, 1997.
- Peerless Lighting Corporation, "9x3", catalog, 1995.
- Peerless Lighting Corporation, "6x3", catalog, 1996.

Peerless Lighting Corporation, "Lightfoil 9", catalog, 1997.
Peerless Lighting Corporation, "Envision", catalog, 1995.

* cited by examiner

Primary Examiner—Jennifer Rivard
(74) *Attorney, Agent, or Firm*—Donald L. Beeson

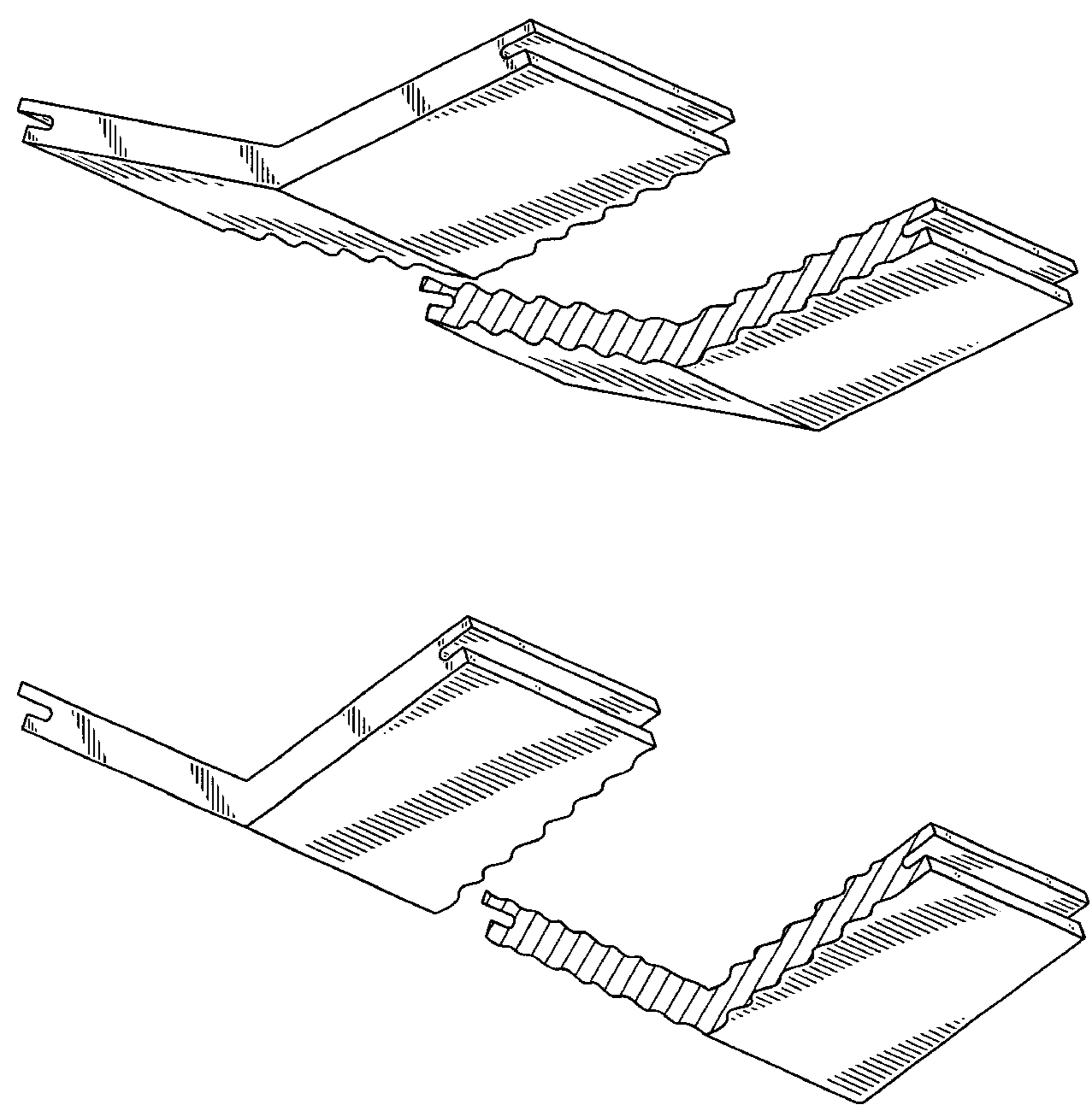
(57) **CLAIM**

The ornamental design for a lighting fixture housing, as shown and described.

DESCRIPTION

FIG. 1 is a broken away bottom perspective view of a lighting fixture housing showing our new design; FIG. 2 is an end elevational view thereof; FIG. 3 is a side elevational view thereof; FIG. 4 is a bottom plan view thereof; FIG. 5 is a broken away bottom perspective view of an alternative embodiment of the lighting fixture housing shown in FIGS. 1-4; FIG. 6 is an end elevational view thereof; FIG. 7 is a side elevational view thereof; and, FIG. 8 is a bottom plan view thereof. FIGS. 1, 3, 4, 5, 7, and 8 are broken away to indicate indeterminate length. The top of each embodiment of the lighting fixture housing is not visible during normal use and does not form part of our claimed design.

1 Claim, 2 Drawing Sheets



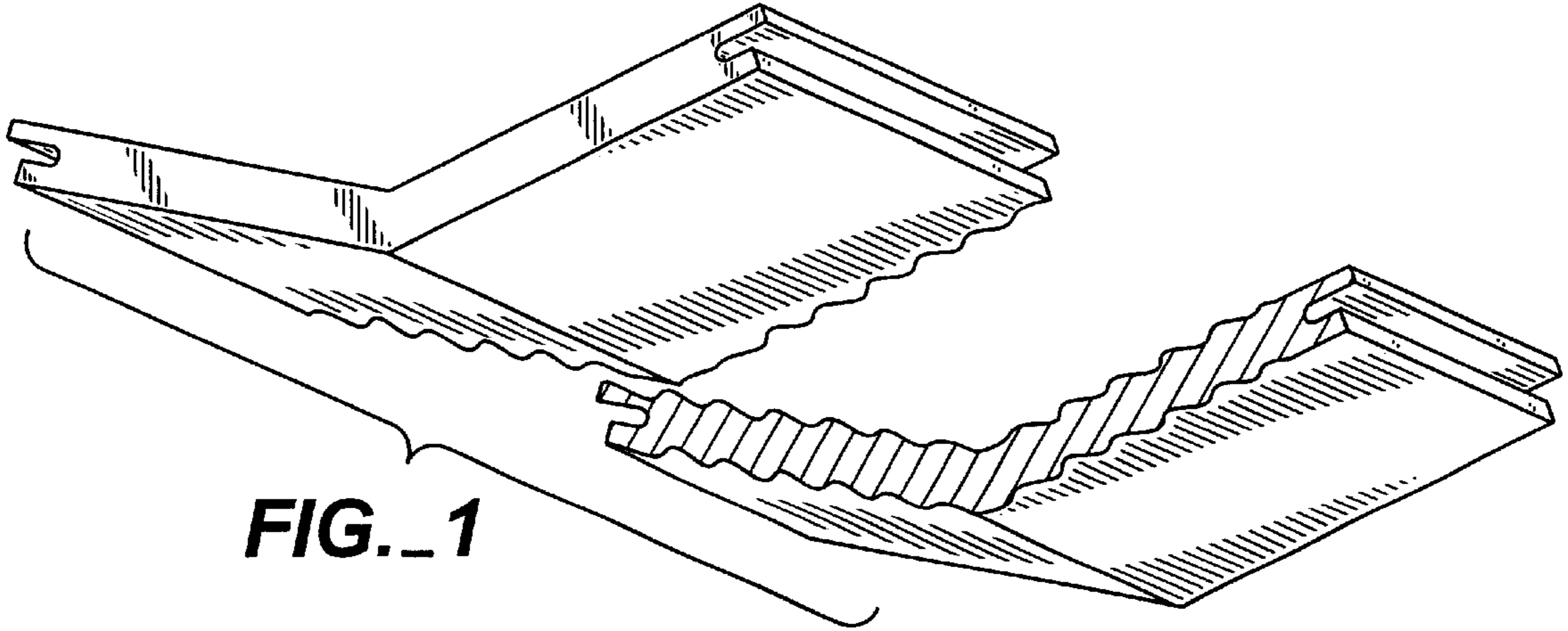


FIG._1

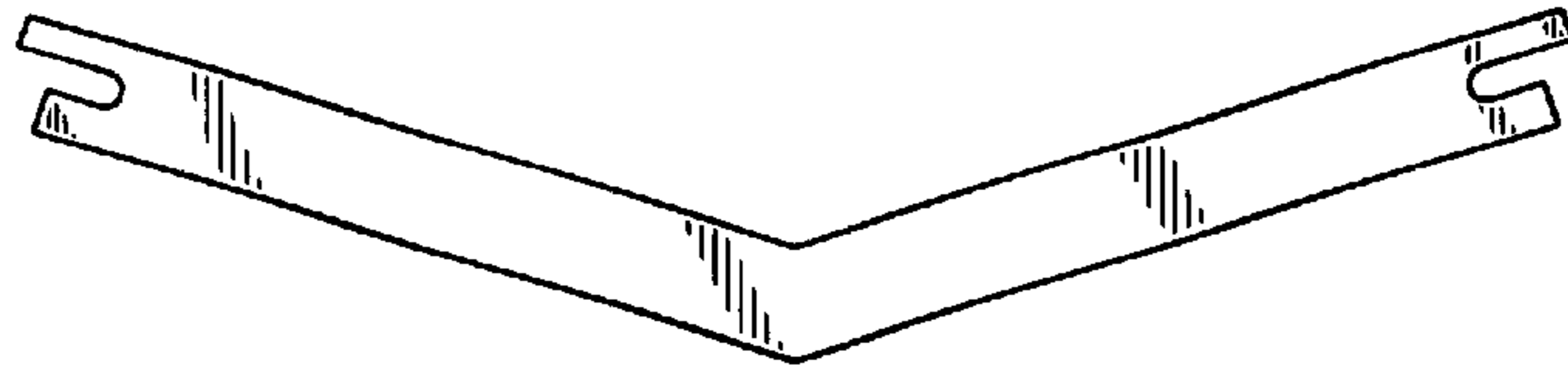


FIG._2

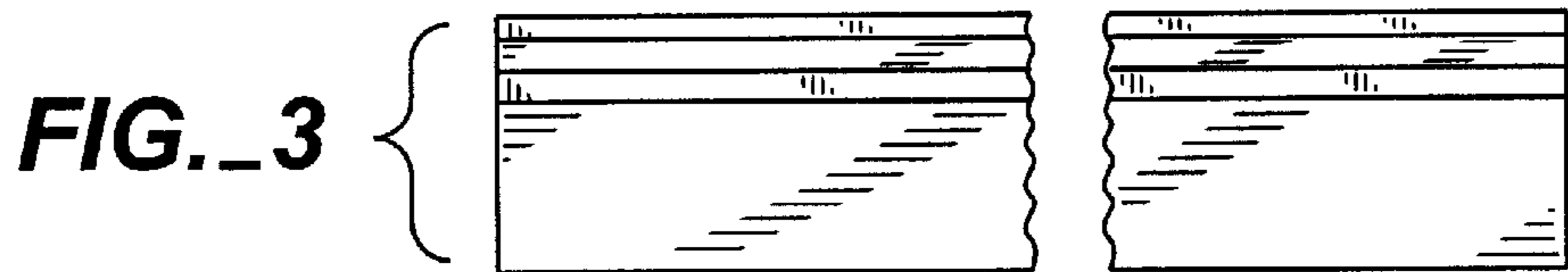


FIG._3

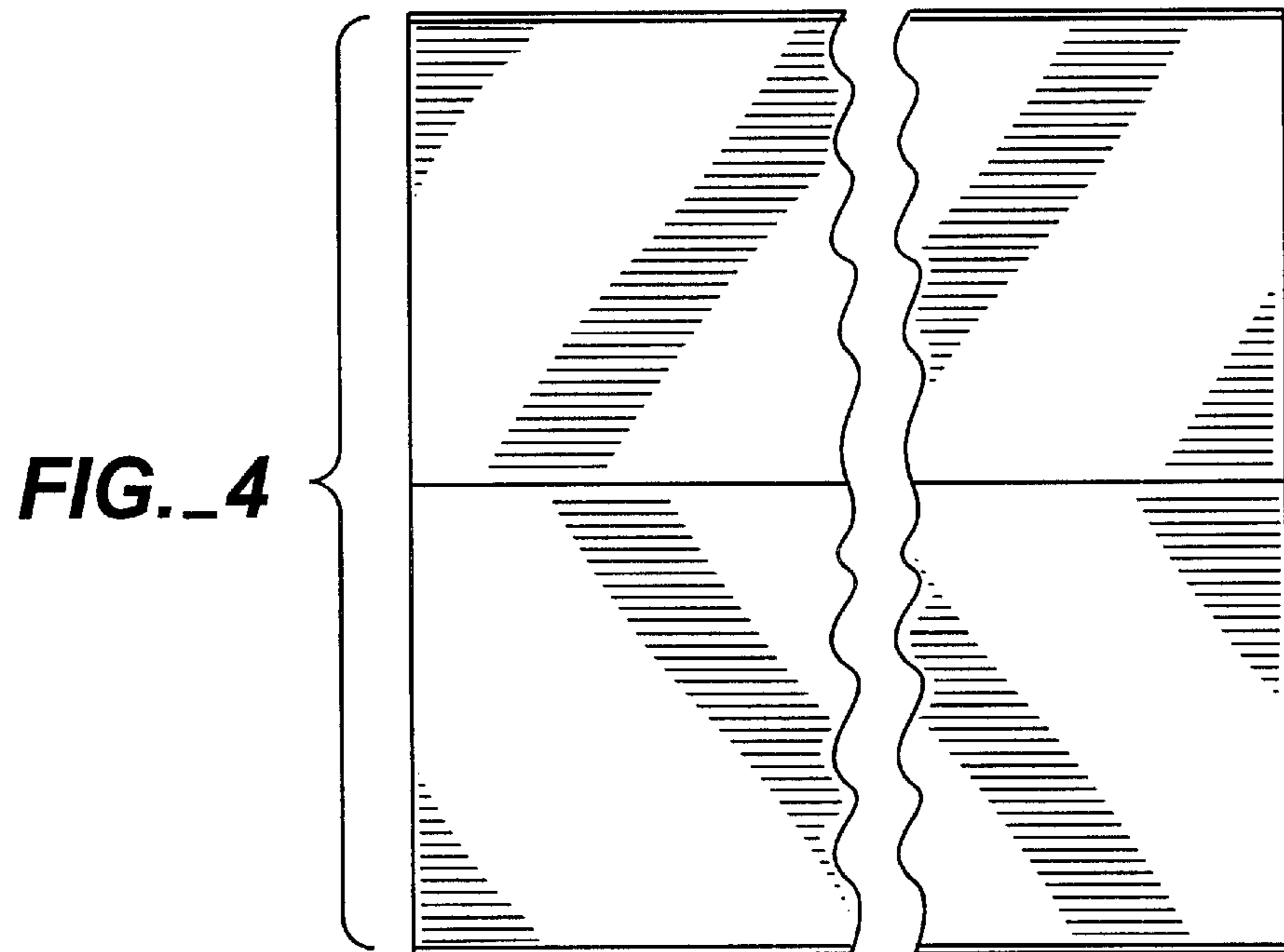


FIG._4

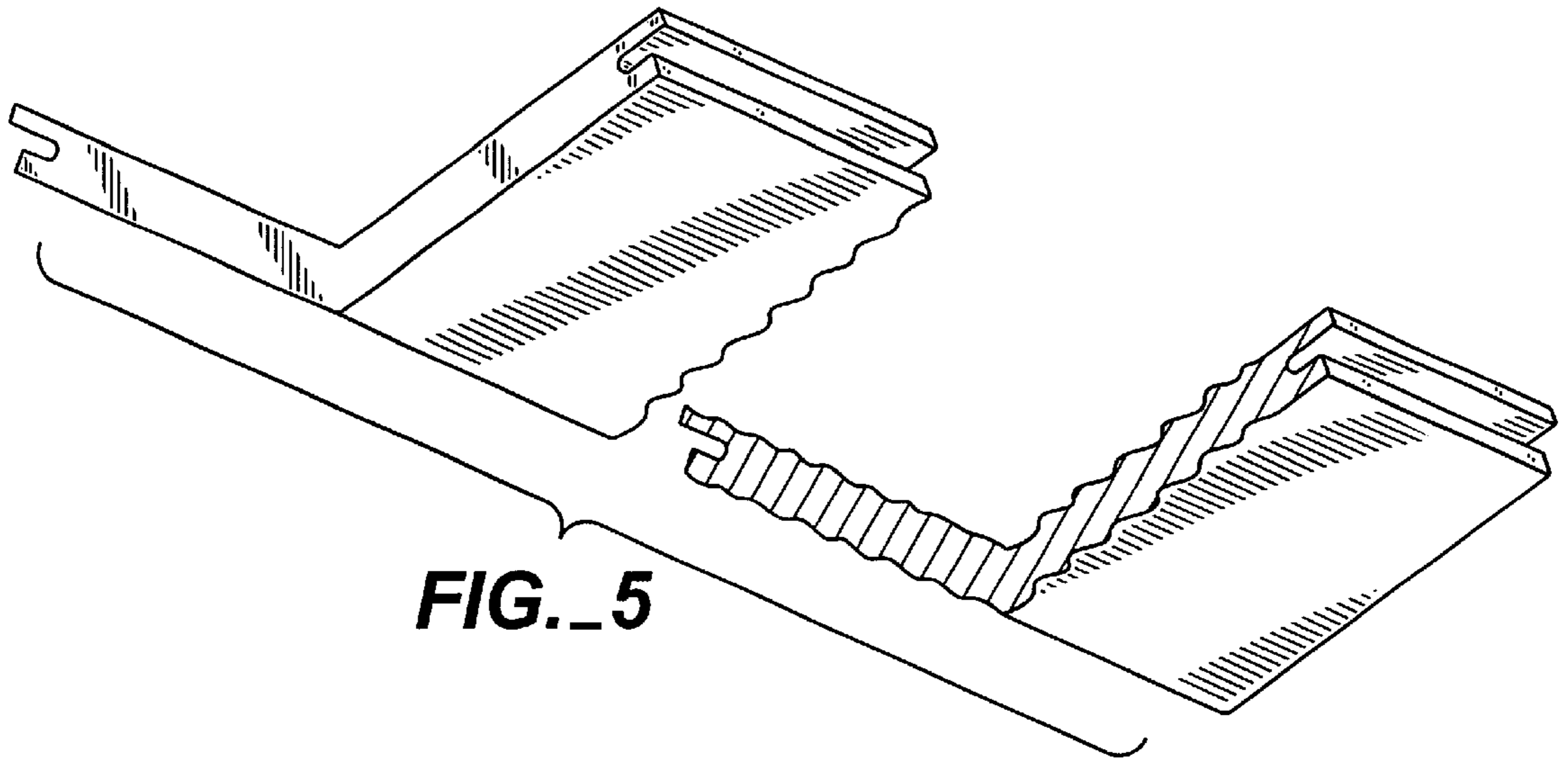


FIG._5

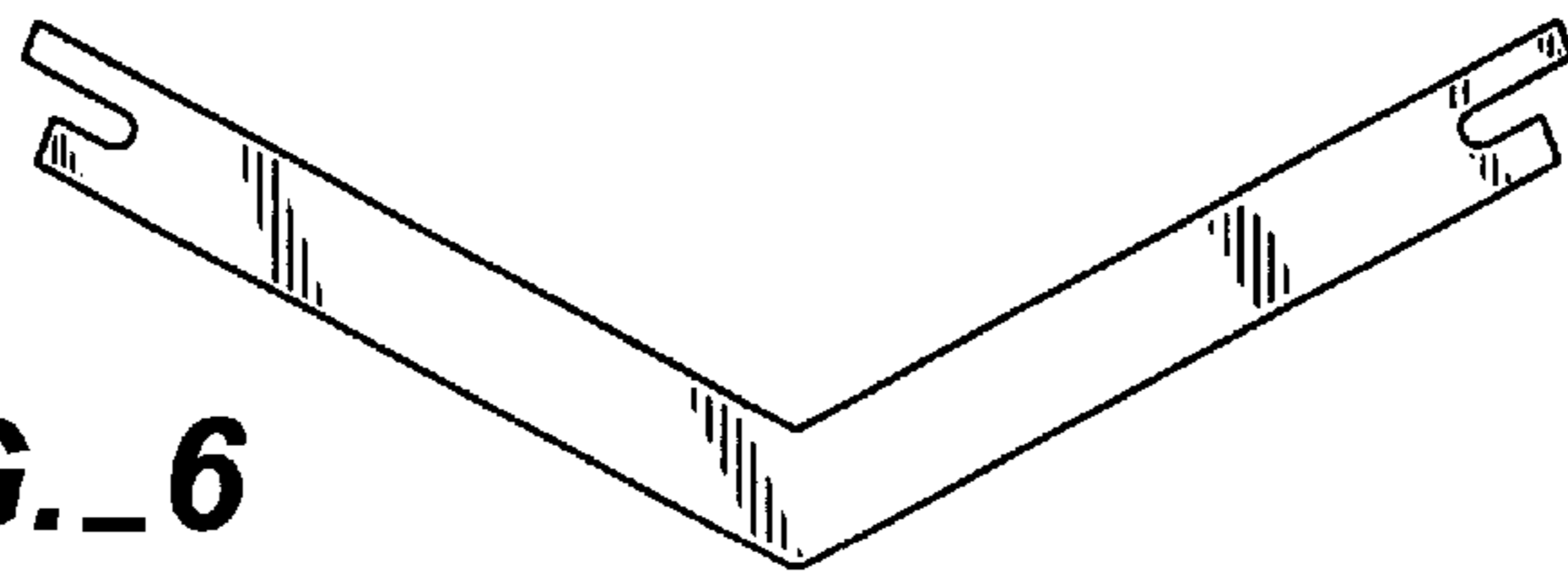


FIG._6

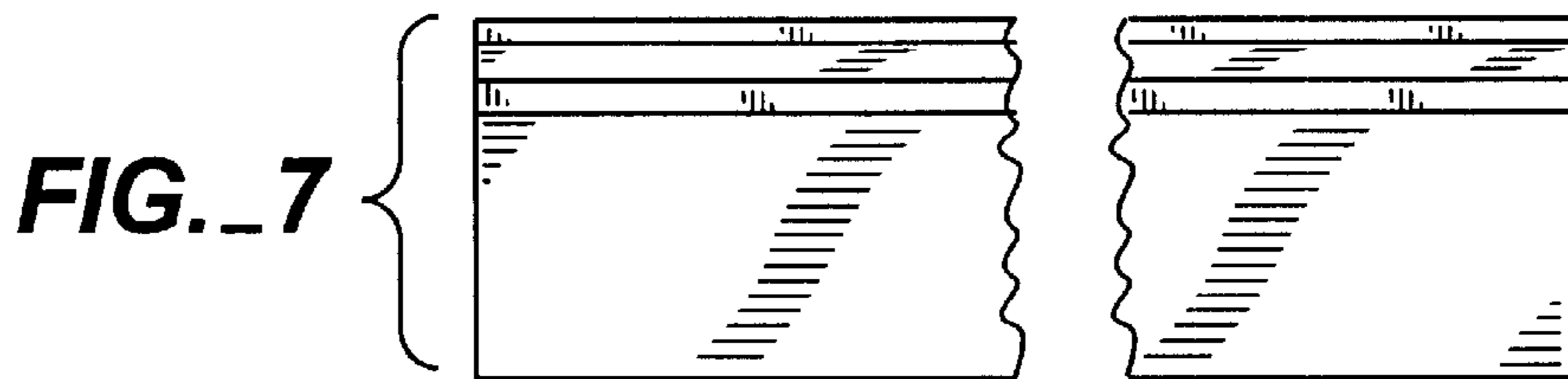


FIG._7

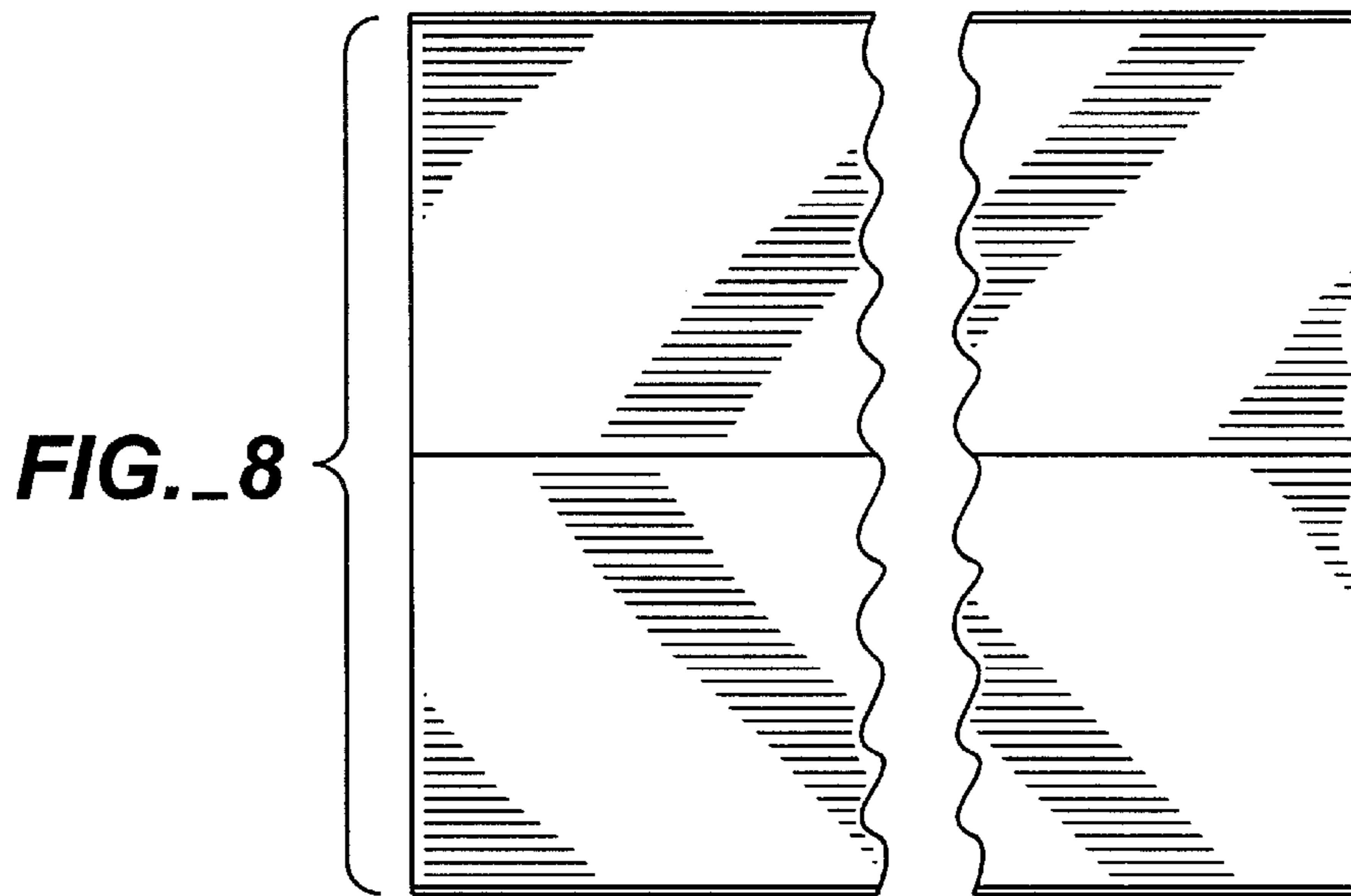


FIG._8