



US00D472666S

(12) **United States Design Patent**
Herst et al.

(10) **Patent No.:** **US D472,666 S**

(45) **Date of Patent:** **** Apr. 1, 2003**

(54) **LIGHTING FIXTURE HOUSING END**

(75) Inventors: **Douglas J. Herst**, Ross, CA (US);
Utkan Salman, Oakland, CA (US)

(73) Assignee: **Acuity Brands, Inc.**, Atlanta, GA (US)

(**) Term: **14 Years**

(21) Appl. No.: **29/152,943**

(22) Filed: **Dec. 24, 2001**

(51) **LOC (7) Cl.** **26-99**

(52) **U.S. Cl.** **D26/113**

(58) **Field of Search** D26/113, 118,
D26/138, 75-77; 362/219, 222, 341, 346,
225, 296, 362, 457

(56) **References Cited**

U.S. PATENT DOCUMENTS

D129,836 S * 10/1941 Koegel D26/76
5,051,878 A * 9/1991 Ngai 362/346
5,658,066 A * 8/1997 Hirsch 362/219

OTHER PUBLICATIONS

Peerless Lighting Corporation, "Envision", catalog, 1994.
Peerless Lighting Corporation, "6x2", catalog, 1997.
Peerless Lighting Corporation, "9x3", catalog, 1995.
Peerless Lighting Corporation, "6x3", catalog, 1996.
Peerless Lighting Corporation, "Lightfoil 9", catalog, 1997.
Peerless Lighting Corporation, "Envision", catalog, 1995.

* cited by examiner

Primary Examiner—Jennifer Rivard

(74) *Attorney, Agent, or Firm*—Donald L. Beeson

(57) **CLAIM**

The ornamental design for a lighting fixture housing end, as shown and described.

DESCRIPTION

FIG. 1 is a bottom perspective view of a lighting fixture housing end showing our new design;

FIG. 2 is an end elevational view thereof;

FIG. 3 is a side elevational view thereof;

FIG. 4 is a bottom plan view thereof;

FIG. 5 is a bottom perspective view of an alternative embodiment of the lighting fixture housing end shown in FIGS. 1-4;

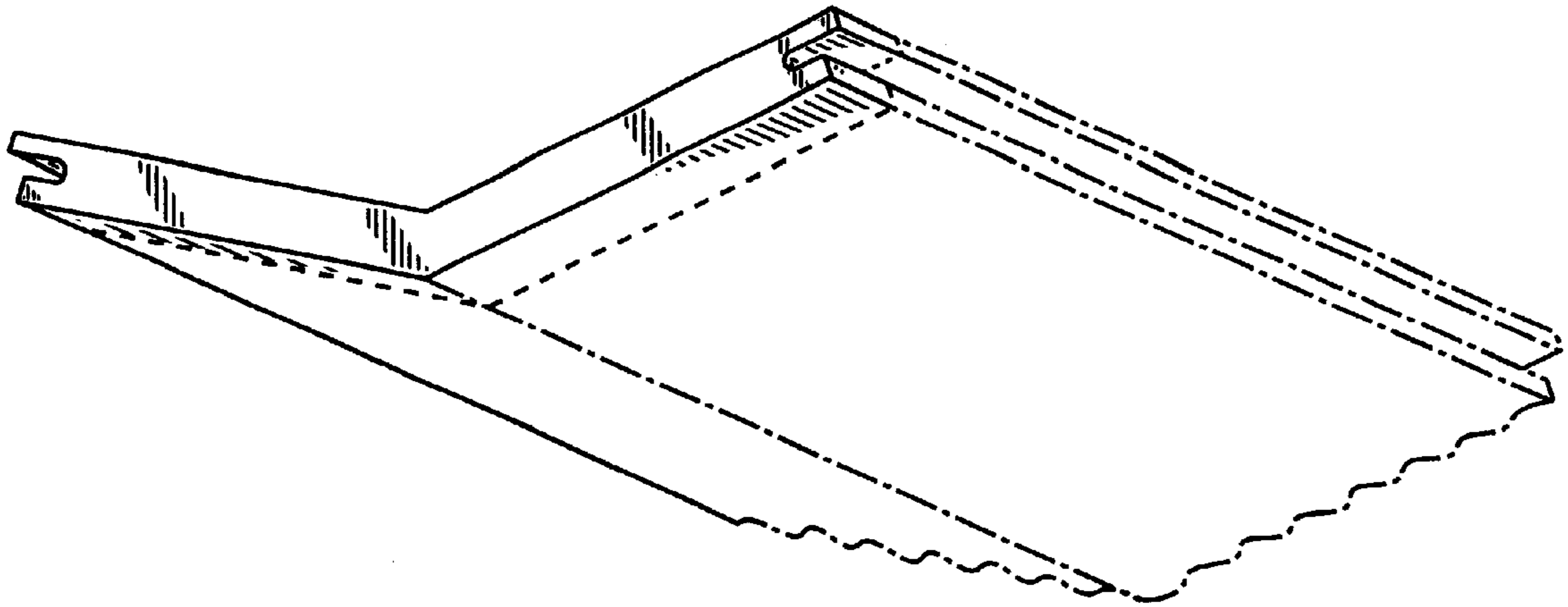
FIG. 6 is an end elevational view thereof;

FIG. 7 is a side elevational view thereof; and,

FIG. 8 is a bottom plan view thereof.

The broken lines immediately adjacent the shaded areas represent the bounds of the claim and all other broken lines are for illustrative purposes only. None of the broken lines form part of our claimed design. The top of each embodiment of the lighting fixture housing end is not visible during normal use and also forms no part of our claimed design.

1 Claim, 2 Drawing Sheets



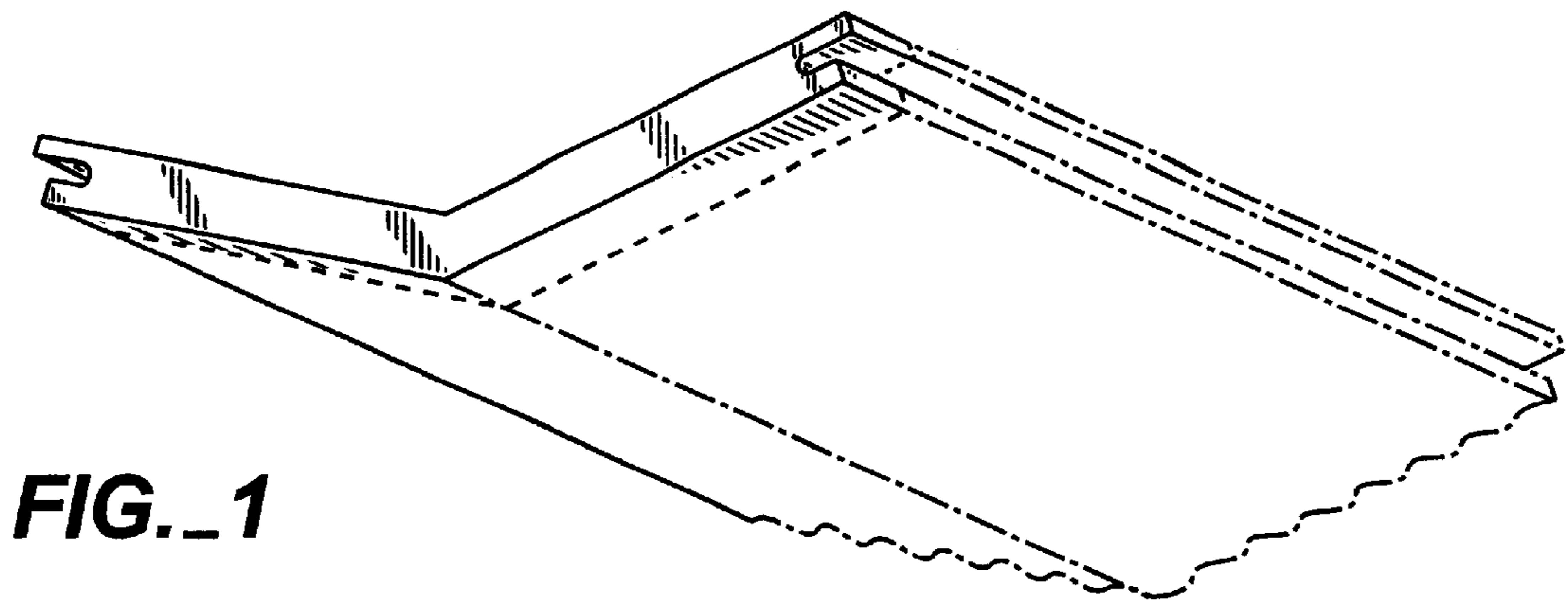


FIG._1

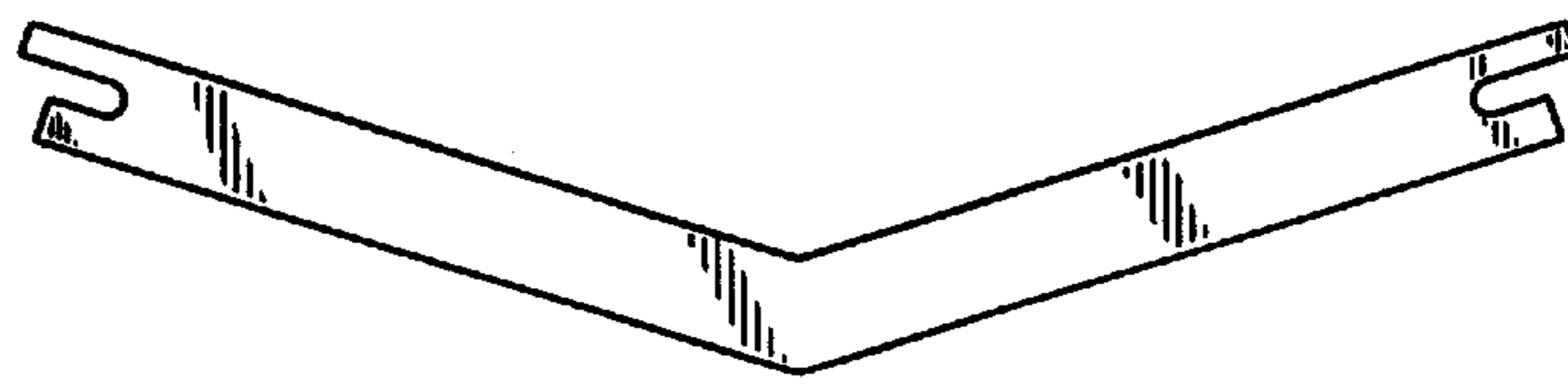


FIG._2

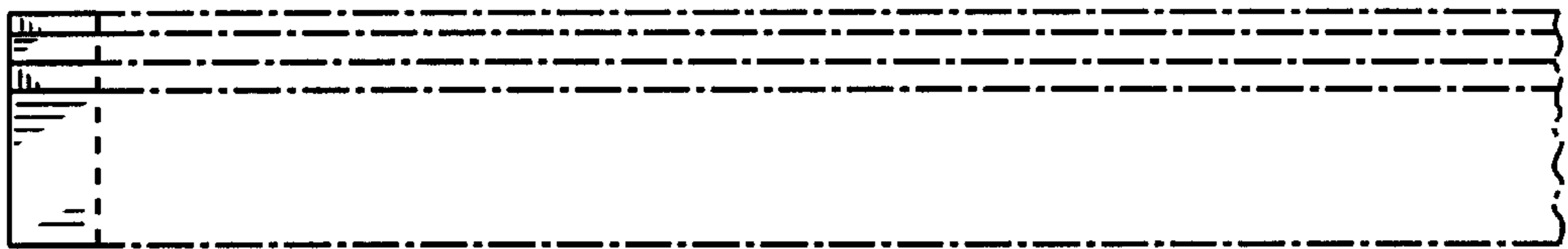


FIG._3

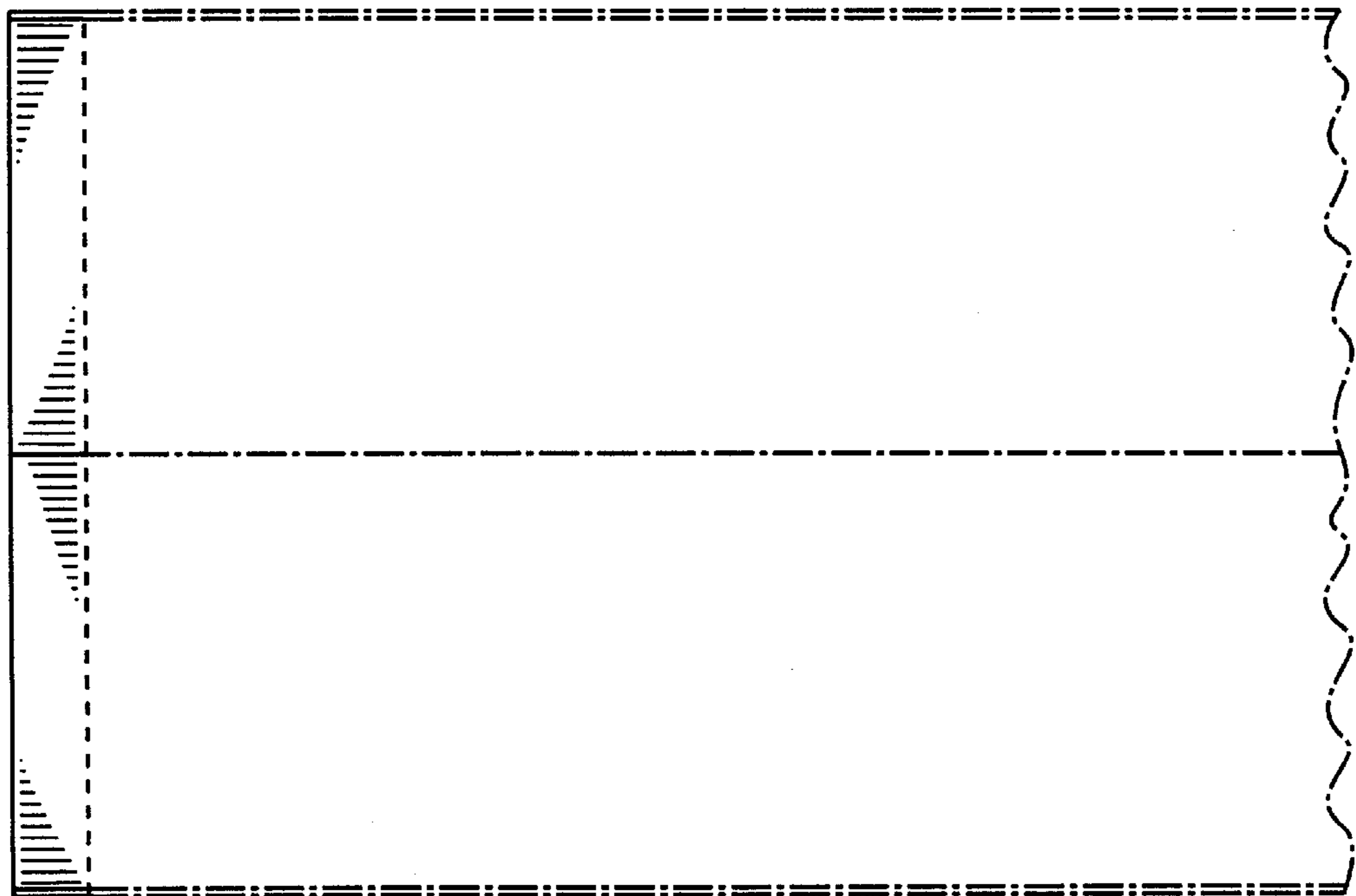


FIG._4

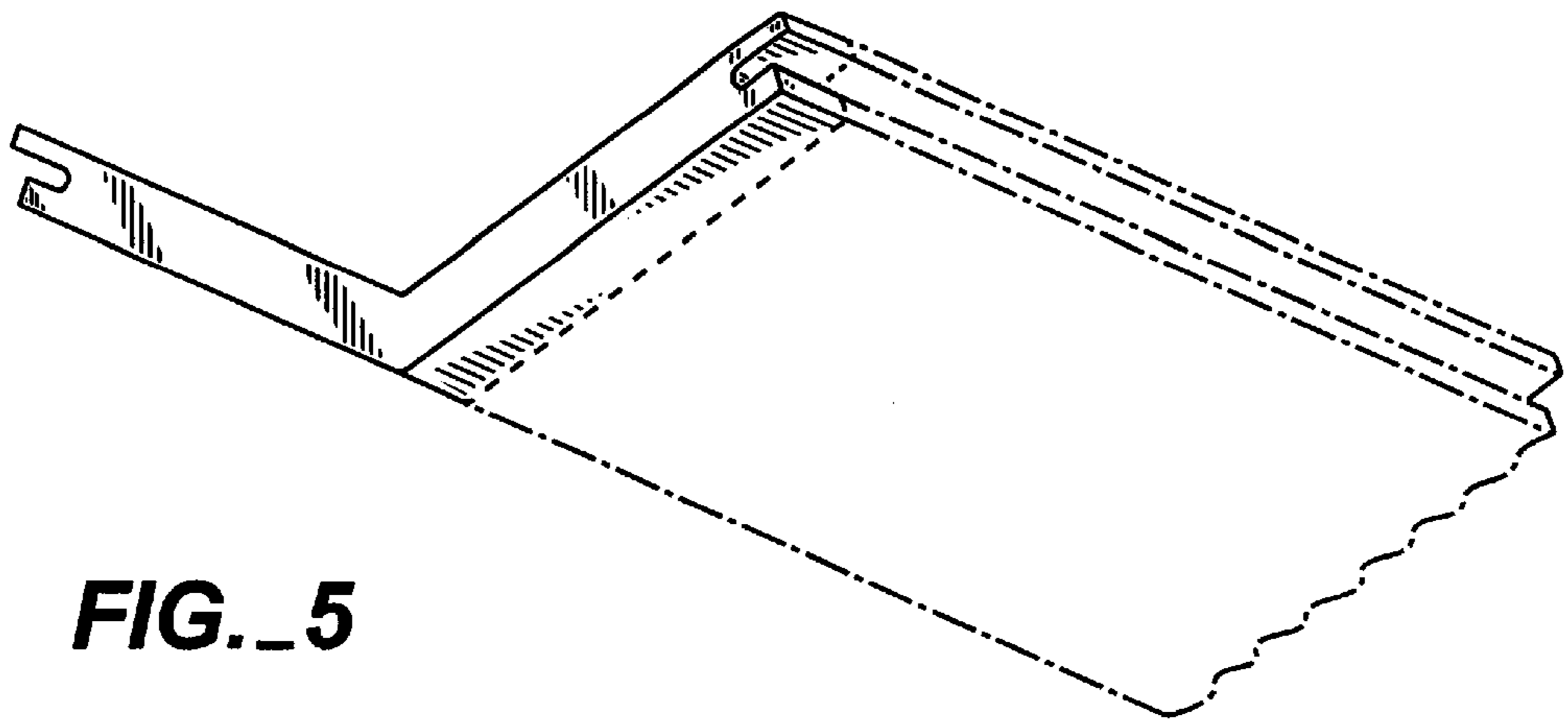


FIG._5

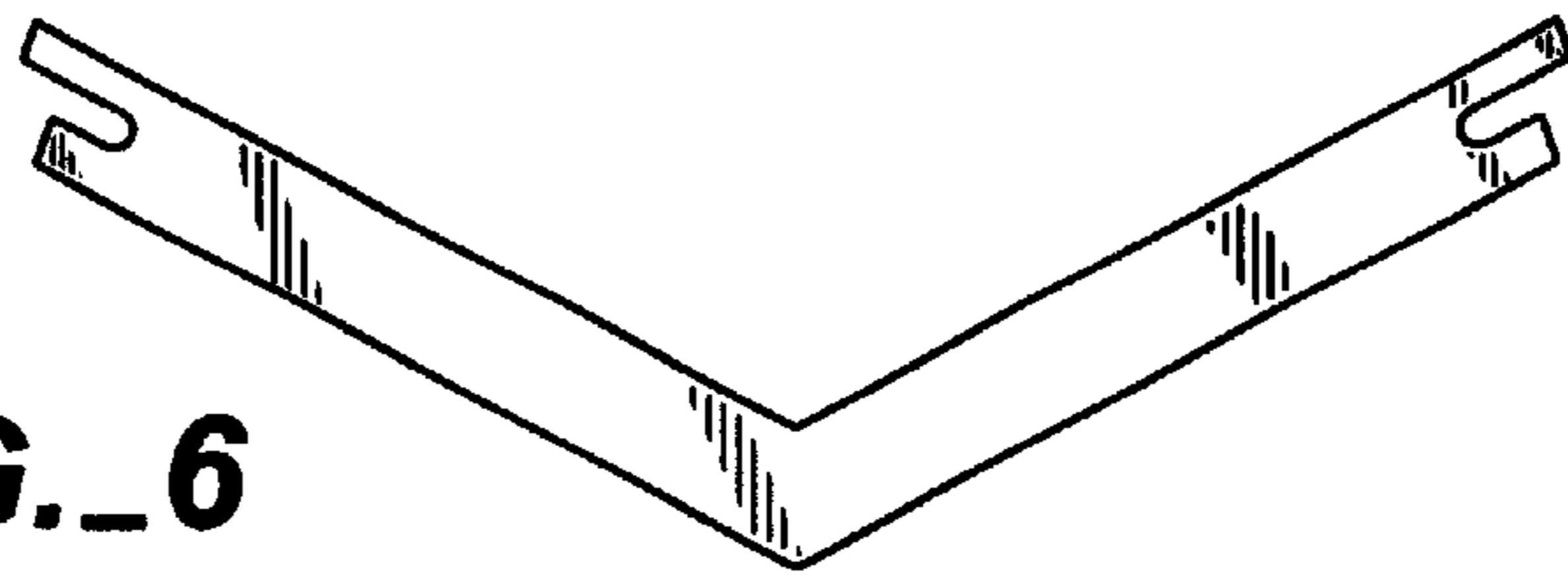


FIG._6

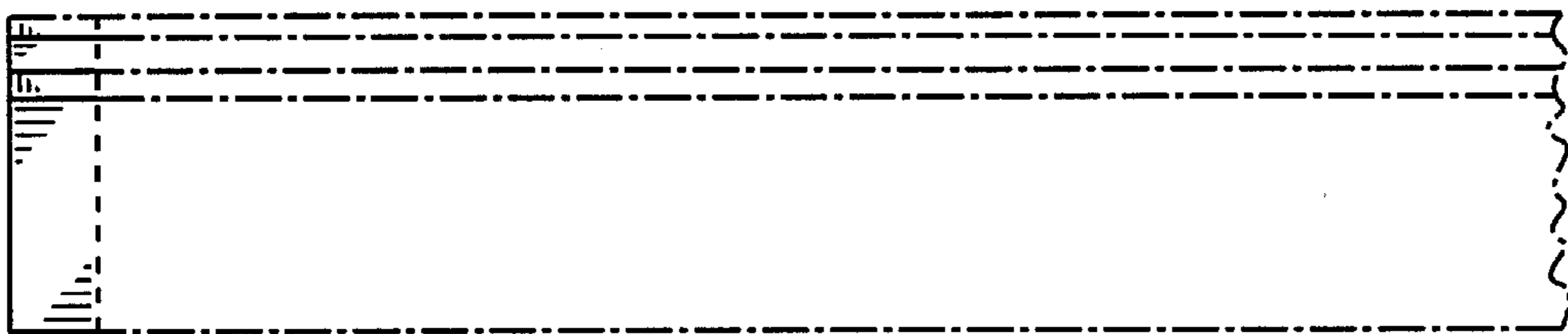


FIG._7

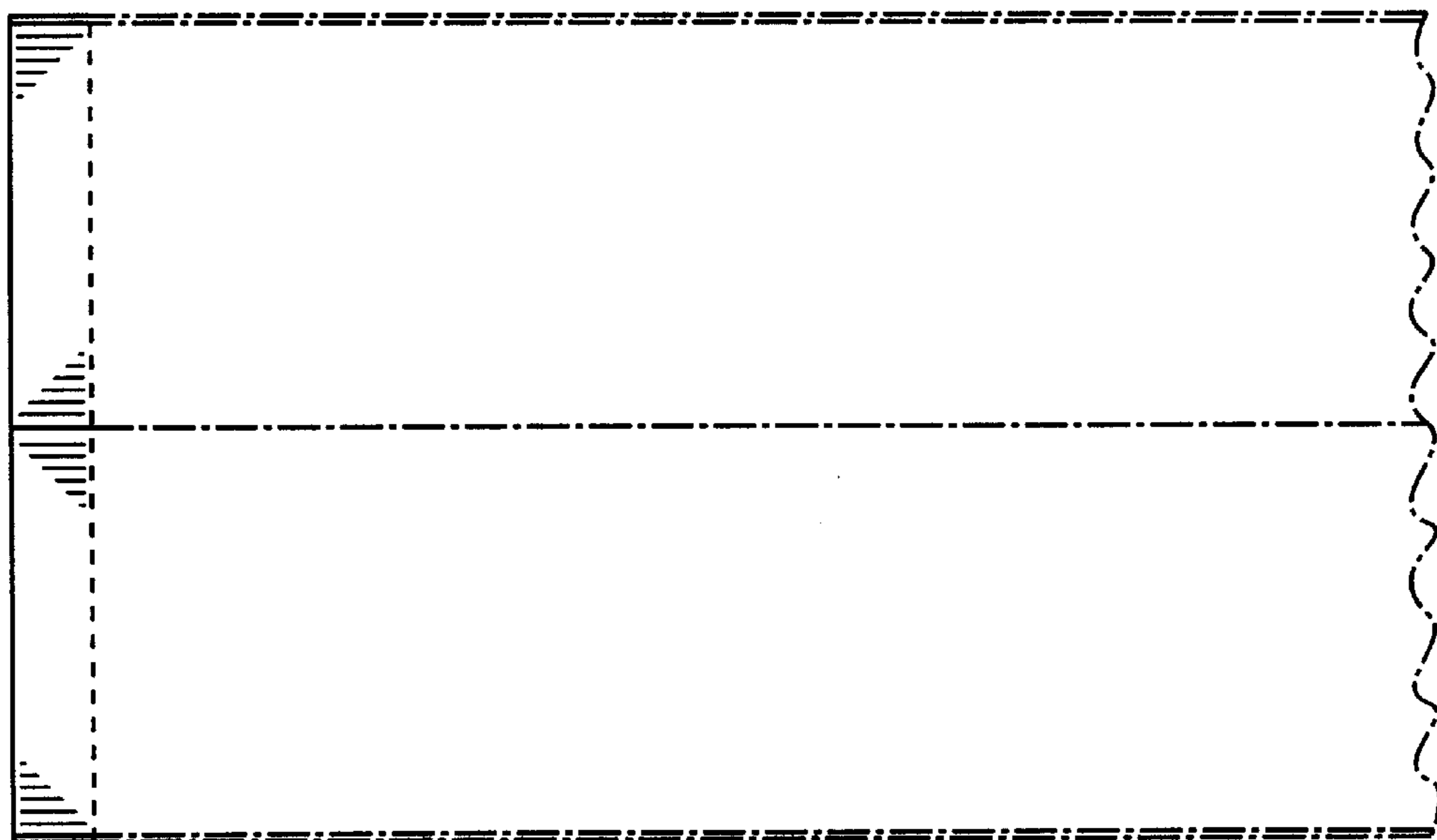


FIG._8