



US00D472664S

(12) **United States Design Patent**
Wofford

(10) **Patent No.:** **US D472,664 S**

(45) **Date of Patent:** **** Apr. 1, 2003**

(54) **TABLE LAMP**

D435,674 S 12/2000 Burks D26/5

(75) **Inventor:** **Tony S. Wofford, Kokomo, IN (US)**

* cited by examiner

(73) **Assignee:** **Ellamon, LLC, Kokomo, IN (US)**

Primary Examiner—Alan P. Douglas

Assistant Examiner—Linda Brooks

(**) **Term:** **14 Years**

(74) *Attorney, Agent, or Firm*—Frank D. Lachenmaier

(21) **Appl. No.:** **29/163,868**

(57) **CLAIM**

(22) **Filed:** **Jul. 12, 2002**

The ornamental design for a table lamp, as shown and described.

(51) **LOC (7) Cl.** **26-03**

(52) **U.S. Cl.** **D26/106**

(58) **Field of Search** D26/1-4, 51, 93-112;
362/410-414, 806

DESCRIPTION

FIG. 1 is a front elevational view of a table lamp showing my new design.

The boxes and inscribed text which are shown in broken lines are for illustrative purposes only and form no part of the claimed design.

FIG. 2 is a right side elevational view thereof, the left side being a mirror image;

FIG. 3 is a rear elevational view thereof; and,

FIG. 4 is a top plan view thereof.

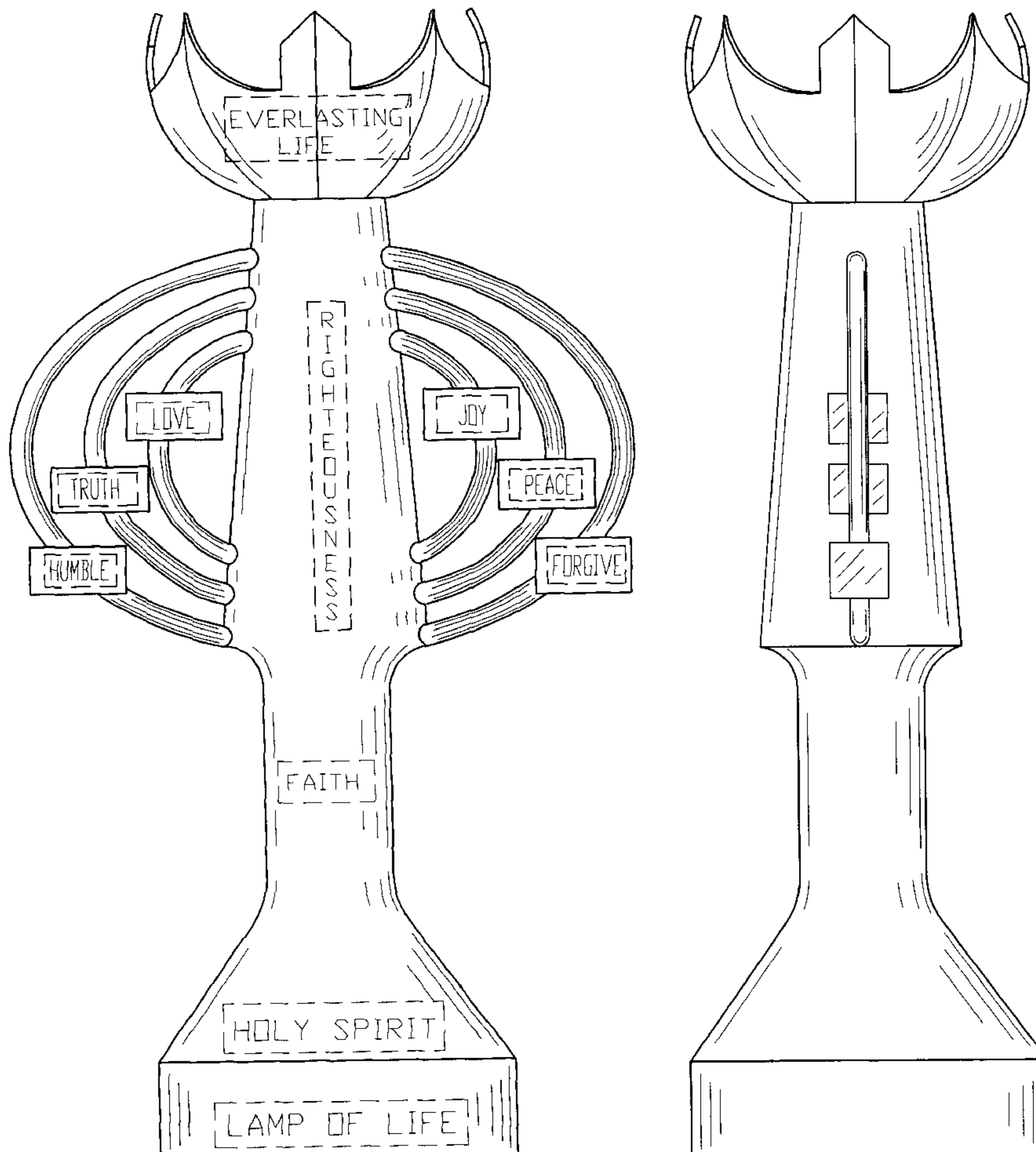
The bottom of the table lamp is flat and unornamented.

(56) **References Cited**

U.S. PATENT DOCUMENTS

D65,118 S	*	7/1924	Johnson	D26/94
D290,520 S		6/1987	Engel	D26/62
D348,113 S		6/1994	Swanson	D26/63
D380,849 S		7/1997	Swanson	D26/63
D381,105 S		7/1997	Swanson	D26/63
D393,731 S		4/1998	Swanson	D26/65
D413,686 S		9/1999	Burks	D26/5

1 Claim, 4 Drawing Sheets



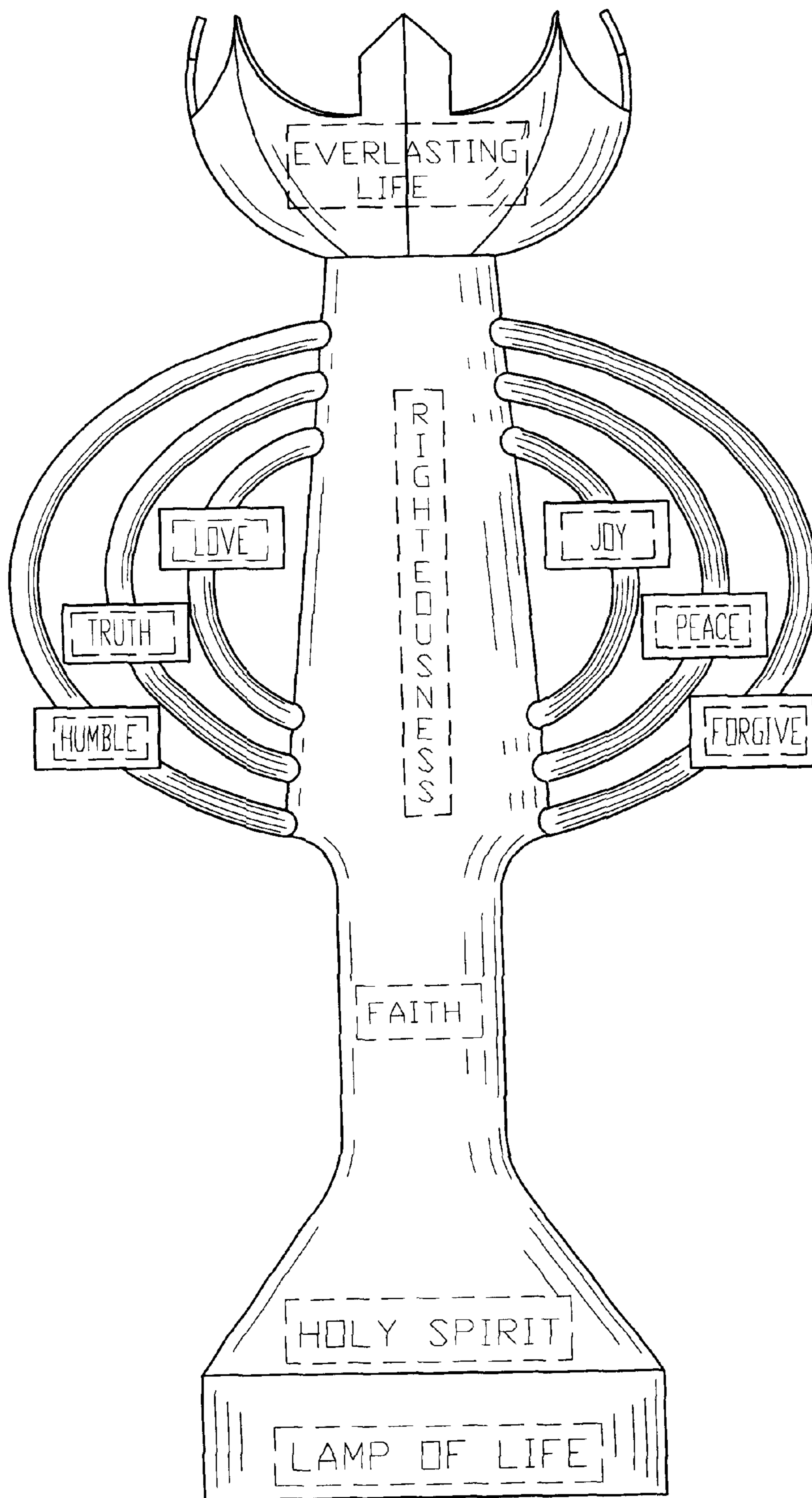


FIG 1

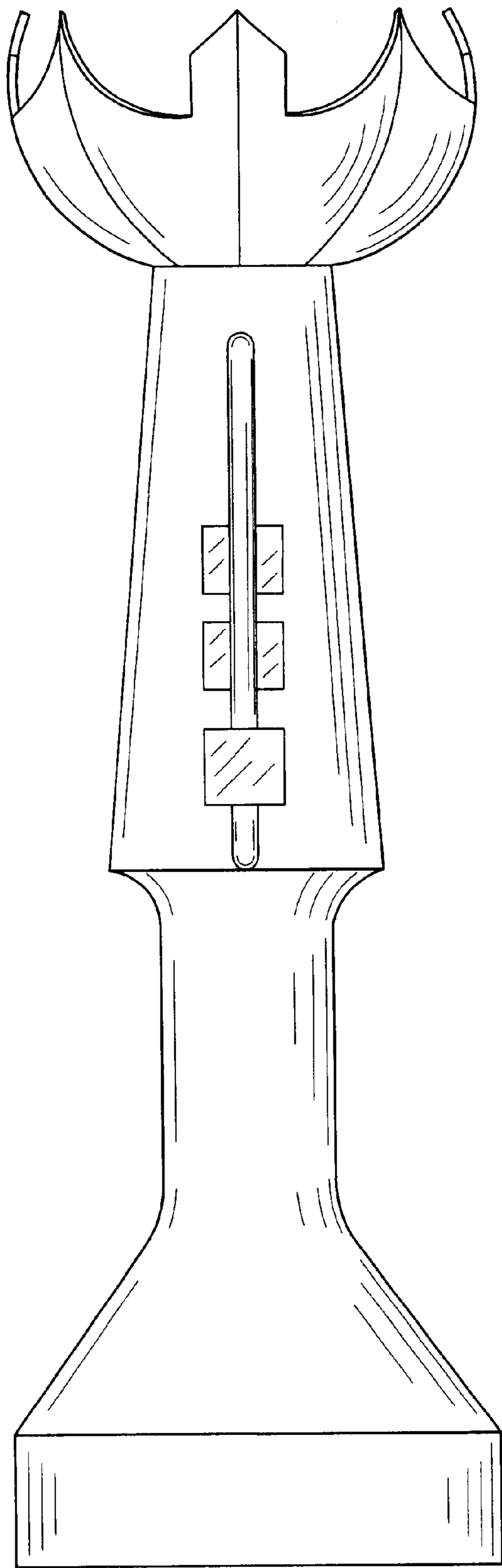


FIG 2

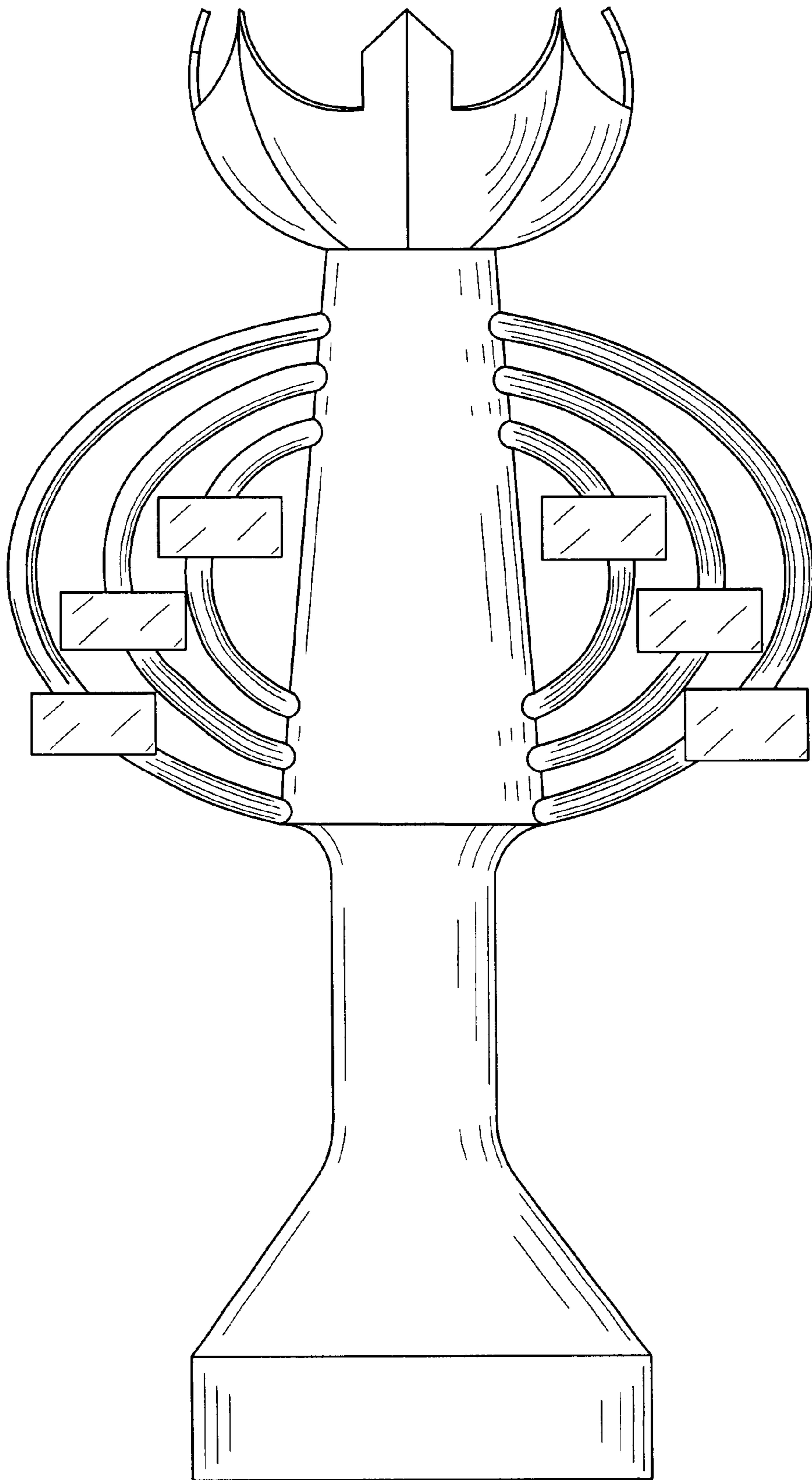


FIG 3

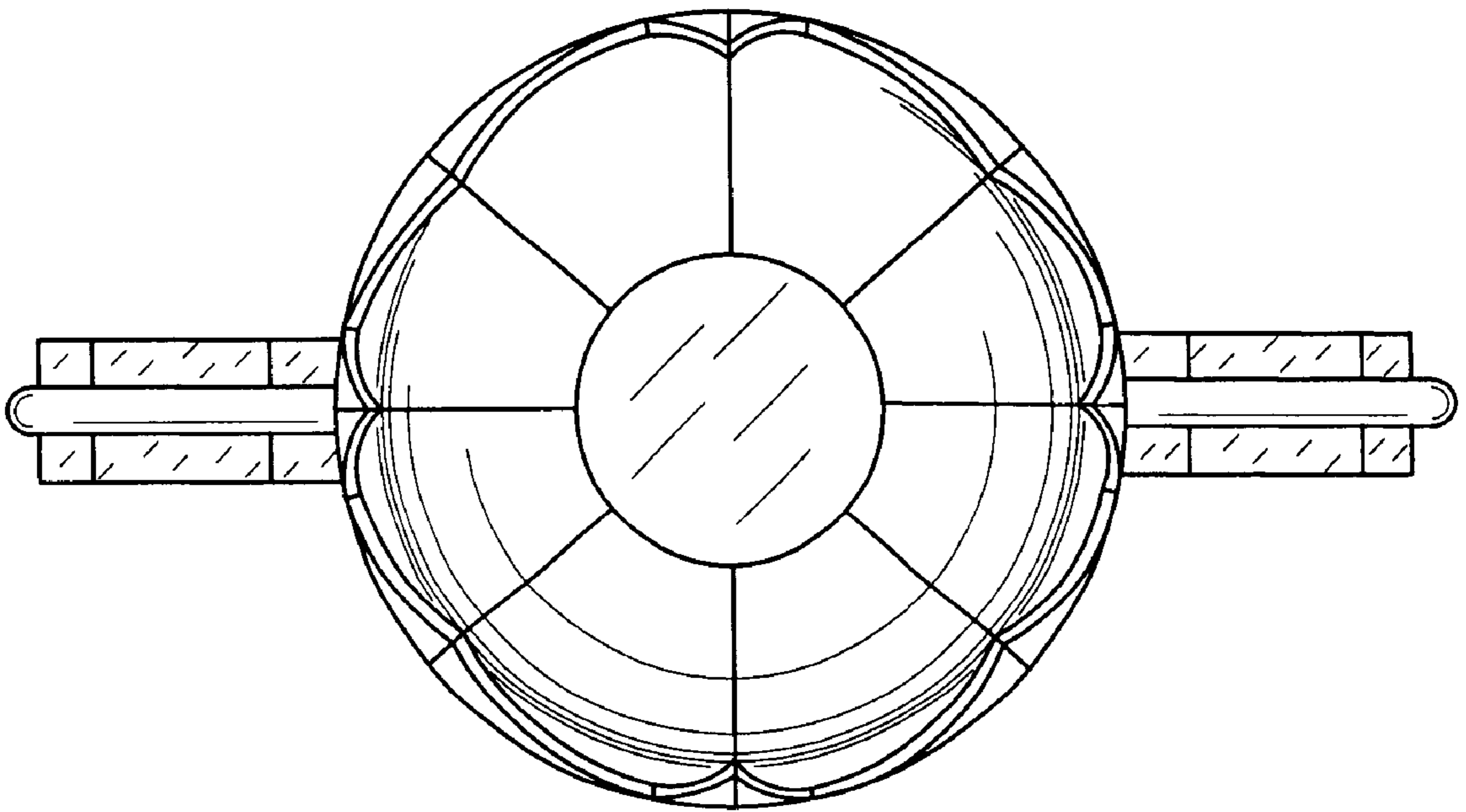


FIG 4