



US00D472663S

(12) **United States Design Patent**
Owen

(10) **Patent No.:** **US D472,663 S**

(45) **Date of Patent:** **** Apr. 1, 2003**

(54) **LAMP**

D226,454 S * 3/1973 Davidson et al. D10/114
5,103,383 A * 4/1992 Mayhew 362/158

(75) **Inventor:** **Joshua Owen, Philadelphia, PA (US)**

* cited by examiner

(73) **Assignee:** **Umbra, Inc., Buffalo, NY (US)**

Primary Examiner—Alan P. Douglas

(**) **Term:** **14 Years**

Assistant Examiner—Linda Brooks

(21) **Appl. No.:** **29/153,651**

(74) *Attorney, Agent, or Firm*—SAIDMAN DesignLaw Group

(22) **Filed:** **Jan. 11, 2002**

(57) **CLAIM**

(51) **LOC (7) Cl.** **26-03**

The ornamental design for a lamp, as shown and described.

(52) **U.S. Cl.** **D26/104**

DESCRIPTION

(58) **Field of Search** D26/93-112, 142,
D26/113, 120, 123, 124; 362/410-414,
806, 157, 158, 159, 182, 183, 186, 172,
173, 335-350; D23/209; D10/114

FIG. 1 is a perspective view of a lamp showing my new design;

FIG. 2 is a front view thereof, the rear view, right-side view, and the left-side view being identical; and,

FIG. 3 is a top view thereof.

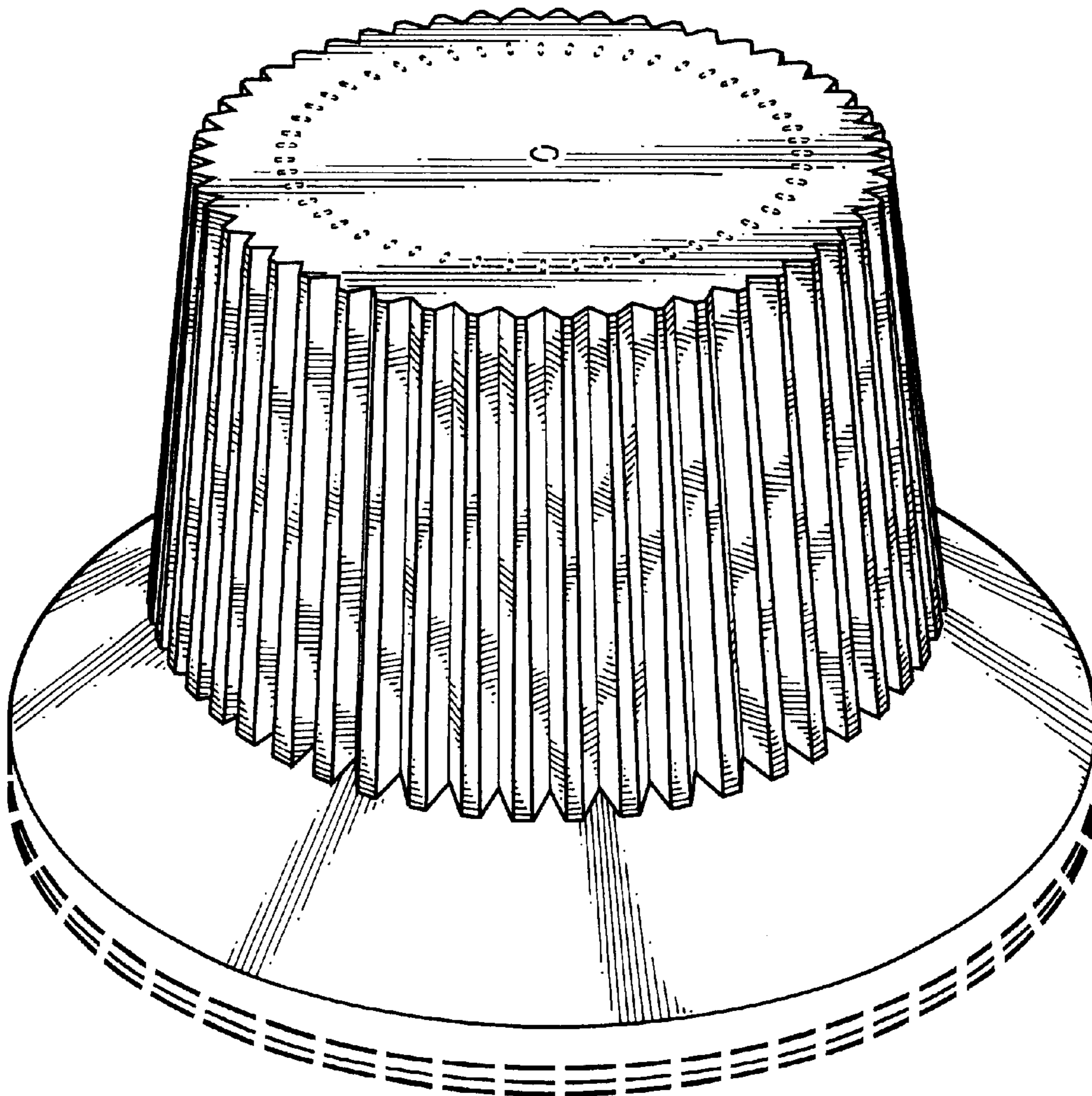
(56) **References Cited**

The broken lines in the drawings represent environmental subject matter and form no part of the claimed design.

U.S. PATENT DOCUMENTS

D223,954 S * 6/1972 Nagel D26/123

1 Claim, 3 Drawing Sheets



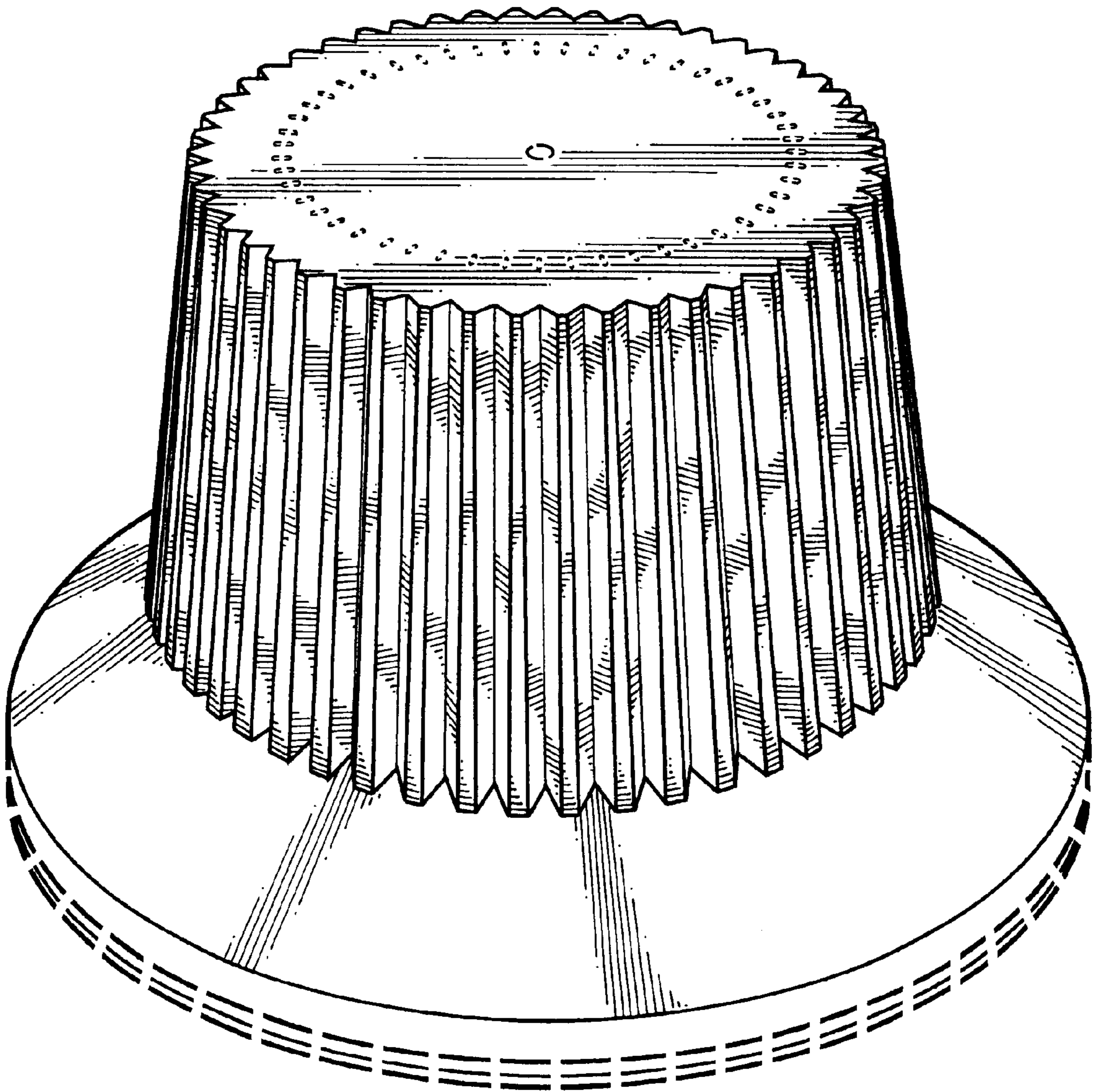


FIG.1

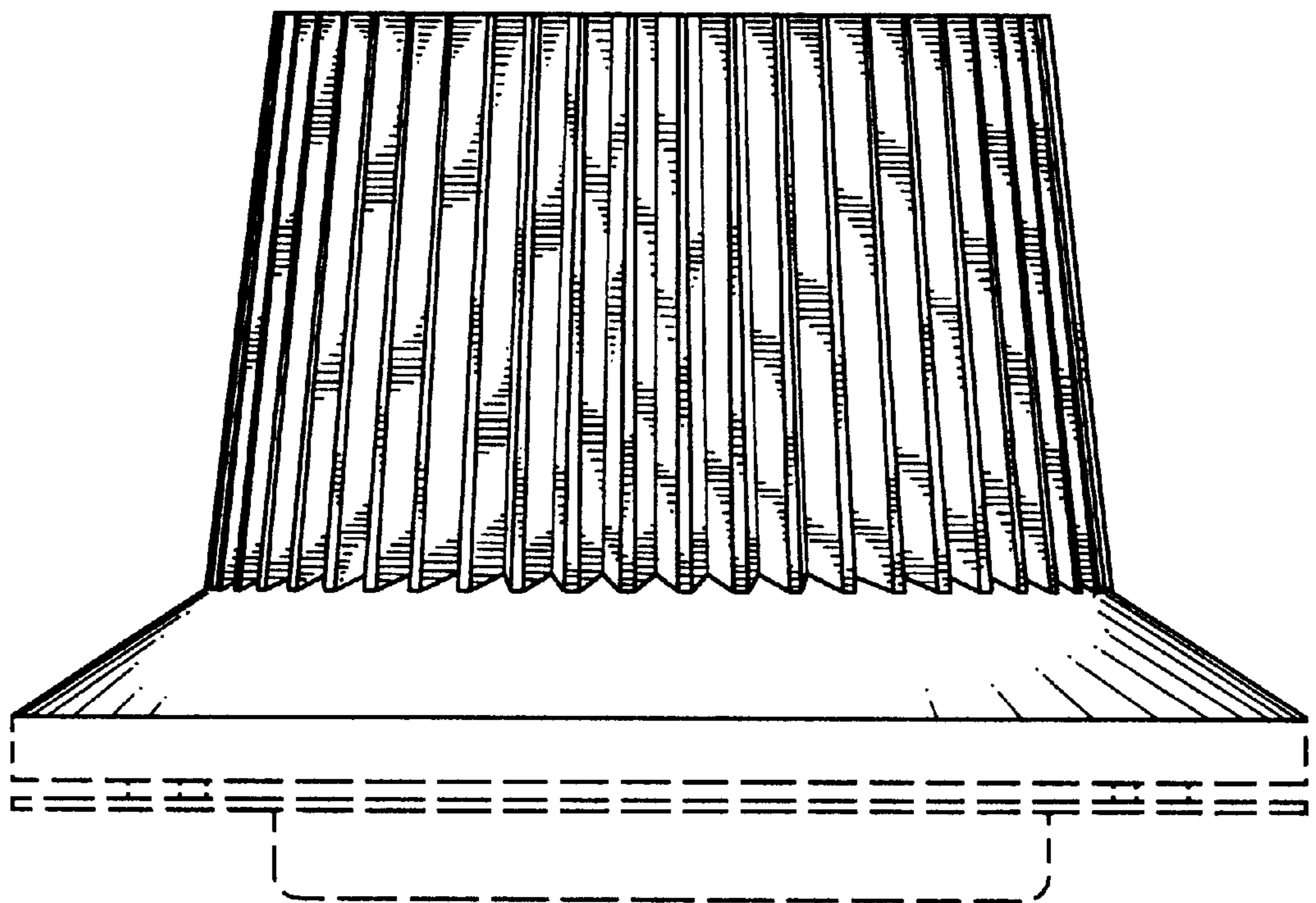


FIG.2

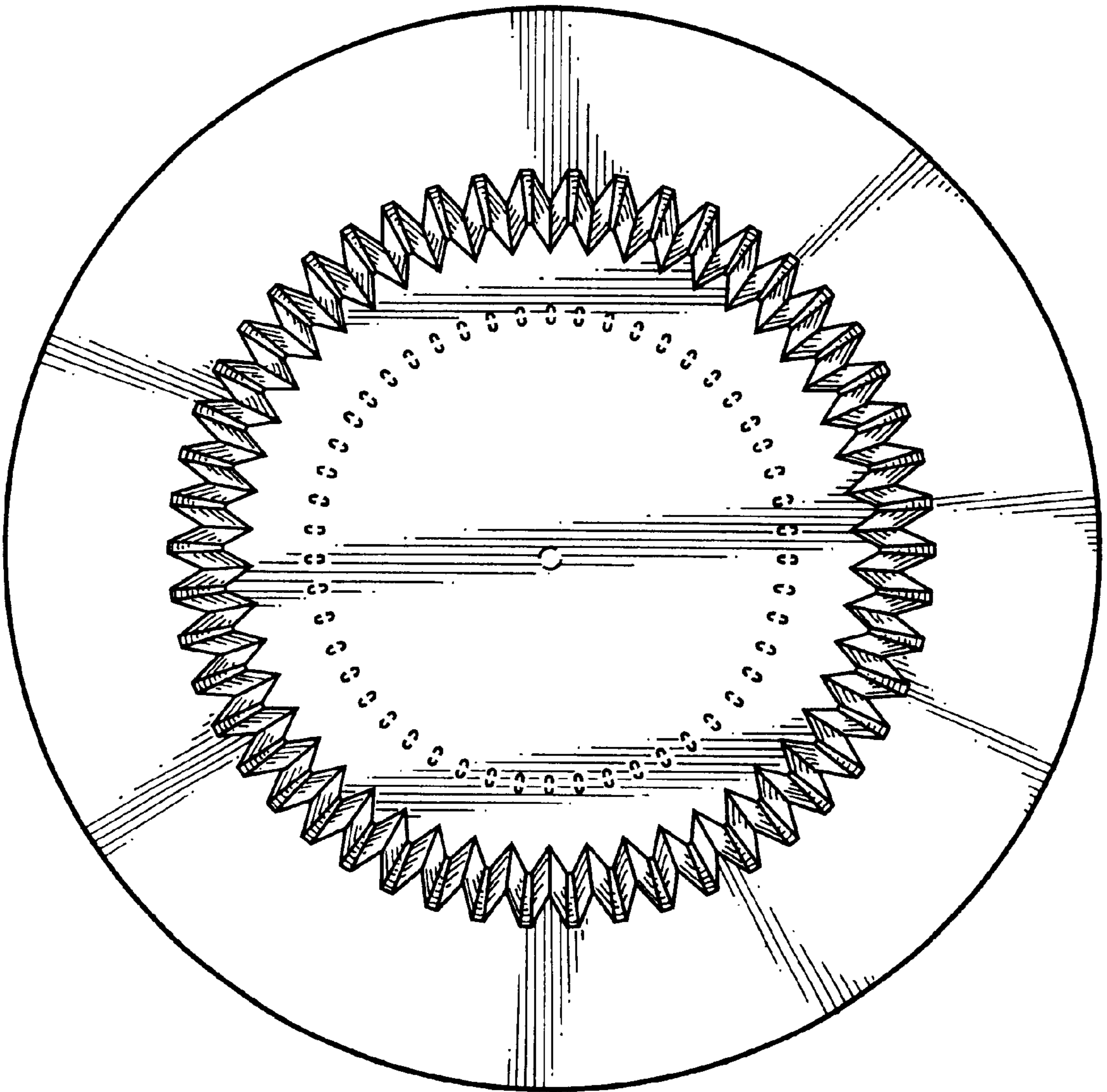


FIG.3