



US00D472662S

(12) **United States Design Patent**
Lee

(10) **Patent No.:** **US D472,662 S**

(45) **Date of Patent:** **** Apr. 1, 2003**

(54) **LIGHTING FIXTURE**

(76) **Inventor:** **Ying-Jue Lee**, 1st Fl., 46, Wu Fu Street, Sanchung, Taipei Hsien (TW)

(**) **Term:** **14 Years**

(21) **Appl. No.:** **29/166,435**

(22) **Filed:** **Aug. 28, 2002**

(51) **LOC (7) Cl.** **26-03**

(52) **U.S. Cl.** **D26/80**

(58) **Field of Search** D26/72, 80-92,
D26/138, 143, 150; 362/147, 404-408,
432, 363, 367, 368

(56) **References Cited**

U.S. PATENT DOCUMENTS

1,473,794 A	*	11/1923	Moon	362/404
4,385,346 A	*	5/1983	Spicer	362/382
D303,019 S	*	8/1989	Segill	D26/143
D464,458 S	*	10/2002	Lee	D26/80

* cited by examiner

Primary Examiner—Alan P. Douglas

Assistant Examiner—Clare E. Heflin

(74) *Attorney, Agent, or Firm*—Troxell Law Office PLLC

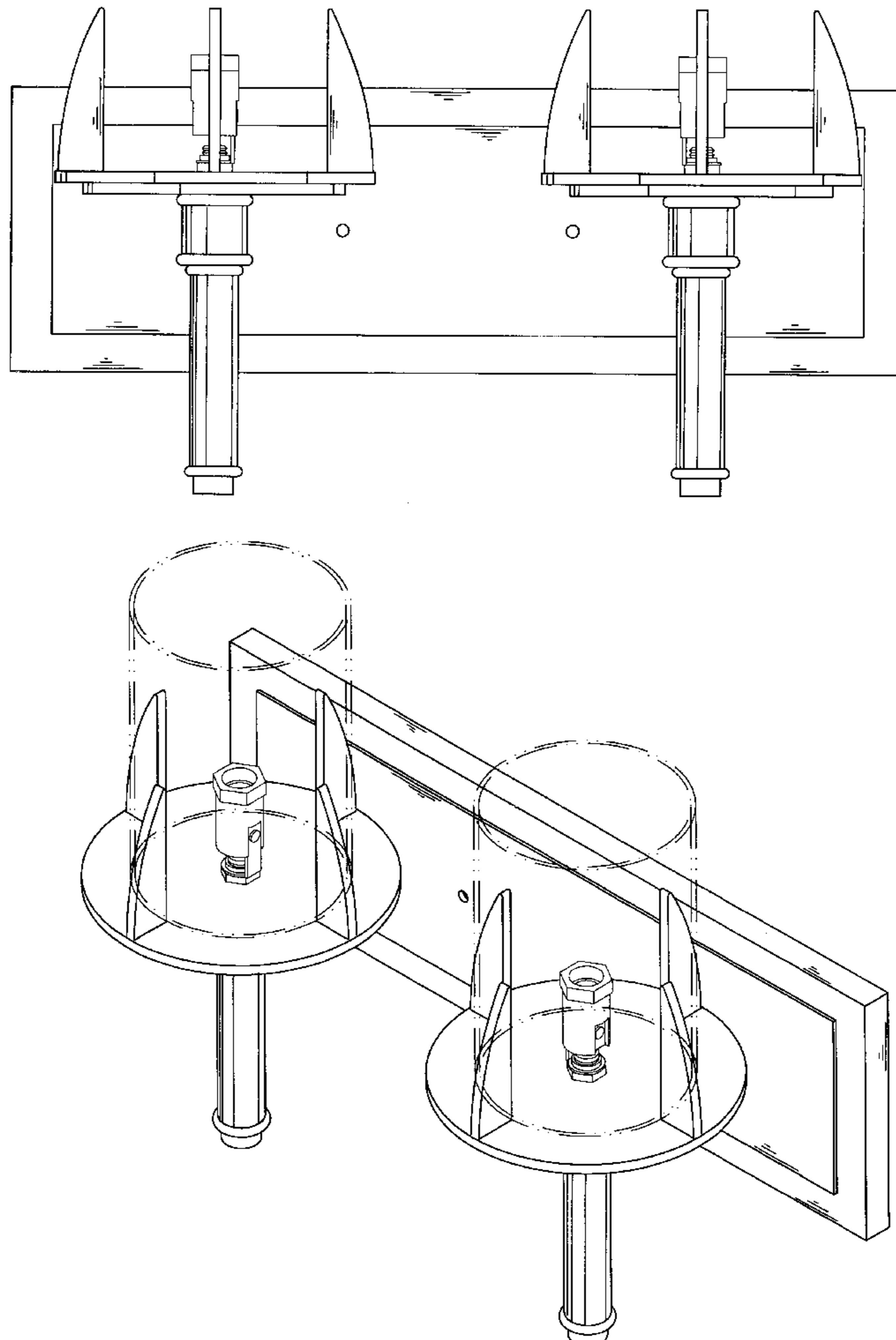
(57) **CLAIM**

The ornamental design for a lighting fixture, as shown and described.

DESCRIPTION

FIG. 1 is a front perspective view of a lighting fixture showing my new design;
FIG. 2 is a front elevational view thereof;
FIG. 3 is a rear elevational view thereof;
FIG. 4 is a left side elevational view thereof;
FIG. 5 is a right side elevational view thereof;
FIG. 6 is a top plan view thereof;
FIG. 7 is a bottom plan view thereof; and,
FIG. 8 is a front perspective view showing the lighting fixture with two lampshades shown in broken lines for illustrative purposes and forming no part of the claimed design.

1 Claim, 7 Drawing Sheets



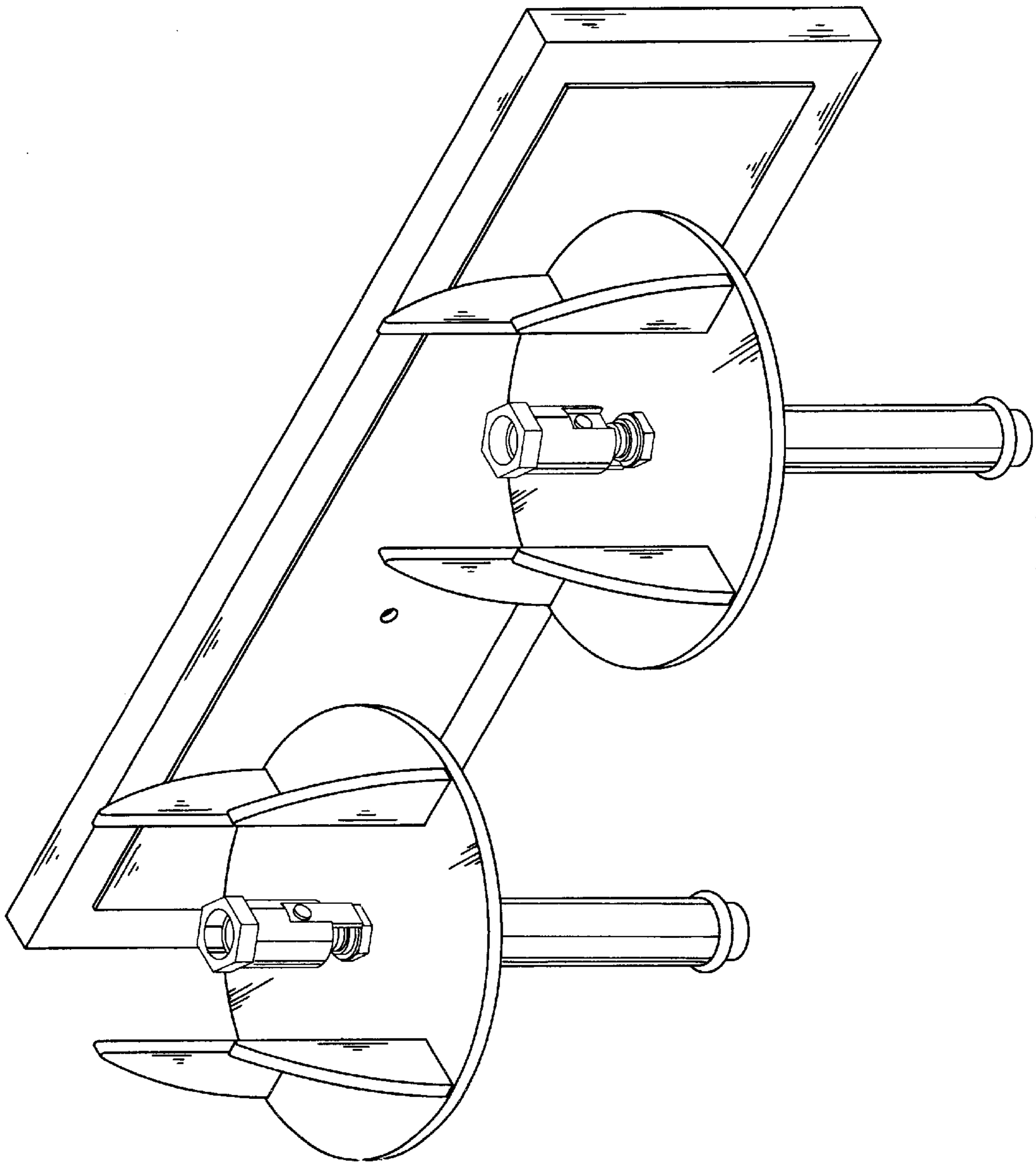


FIG. 1

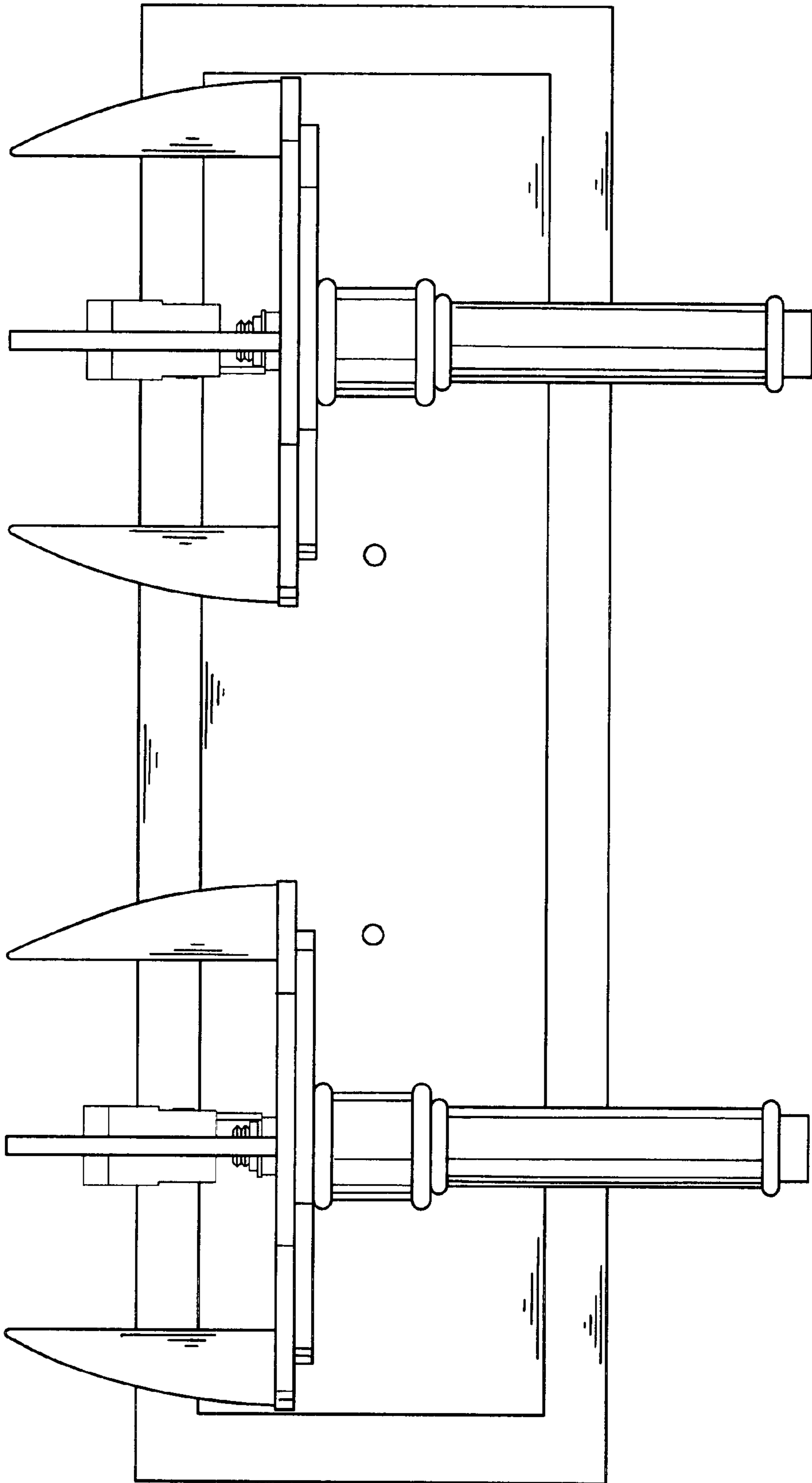


FIG. 2

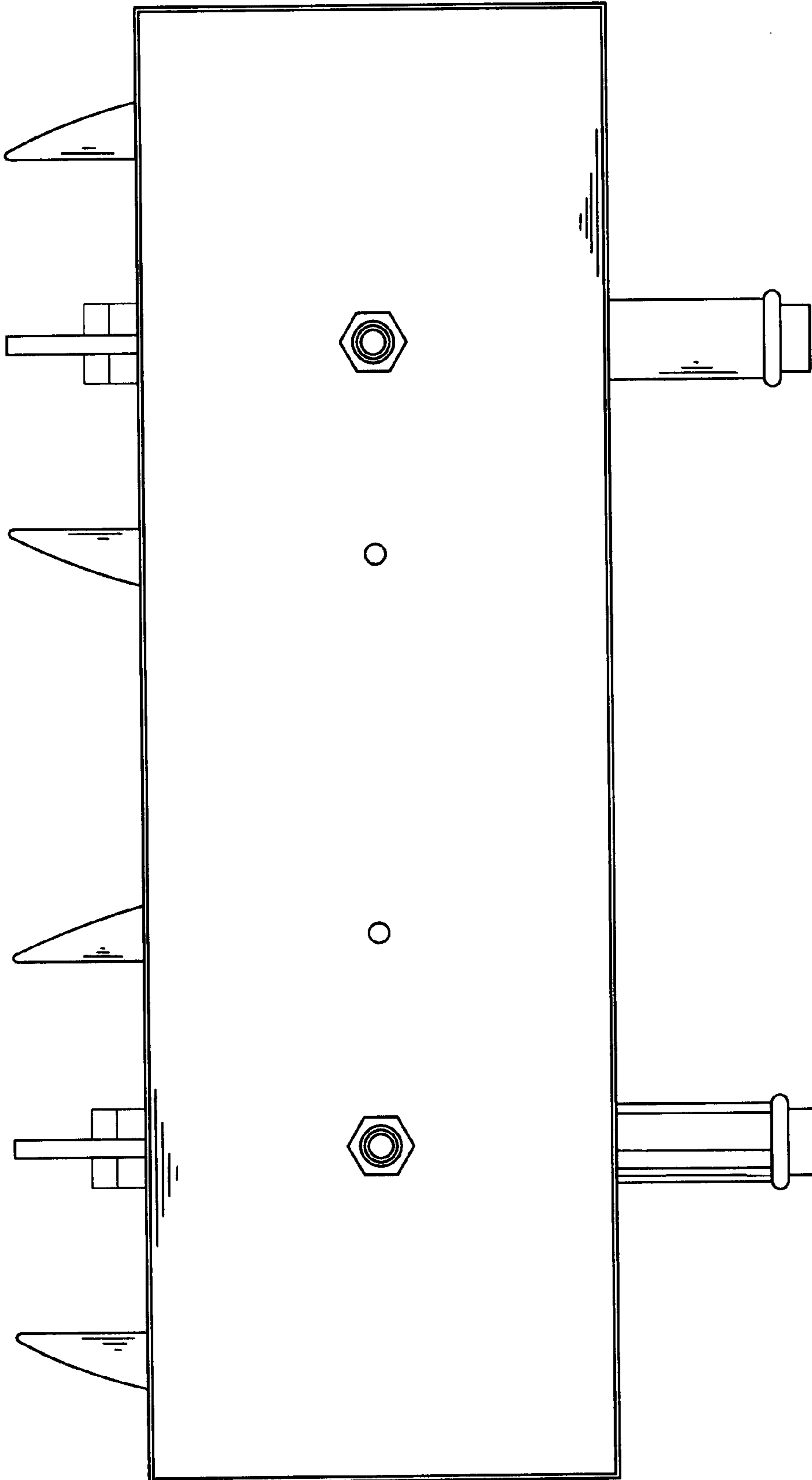


FIG. 3

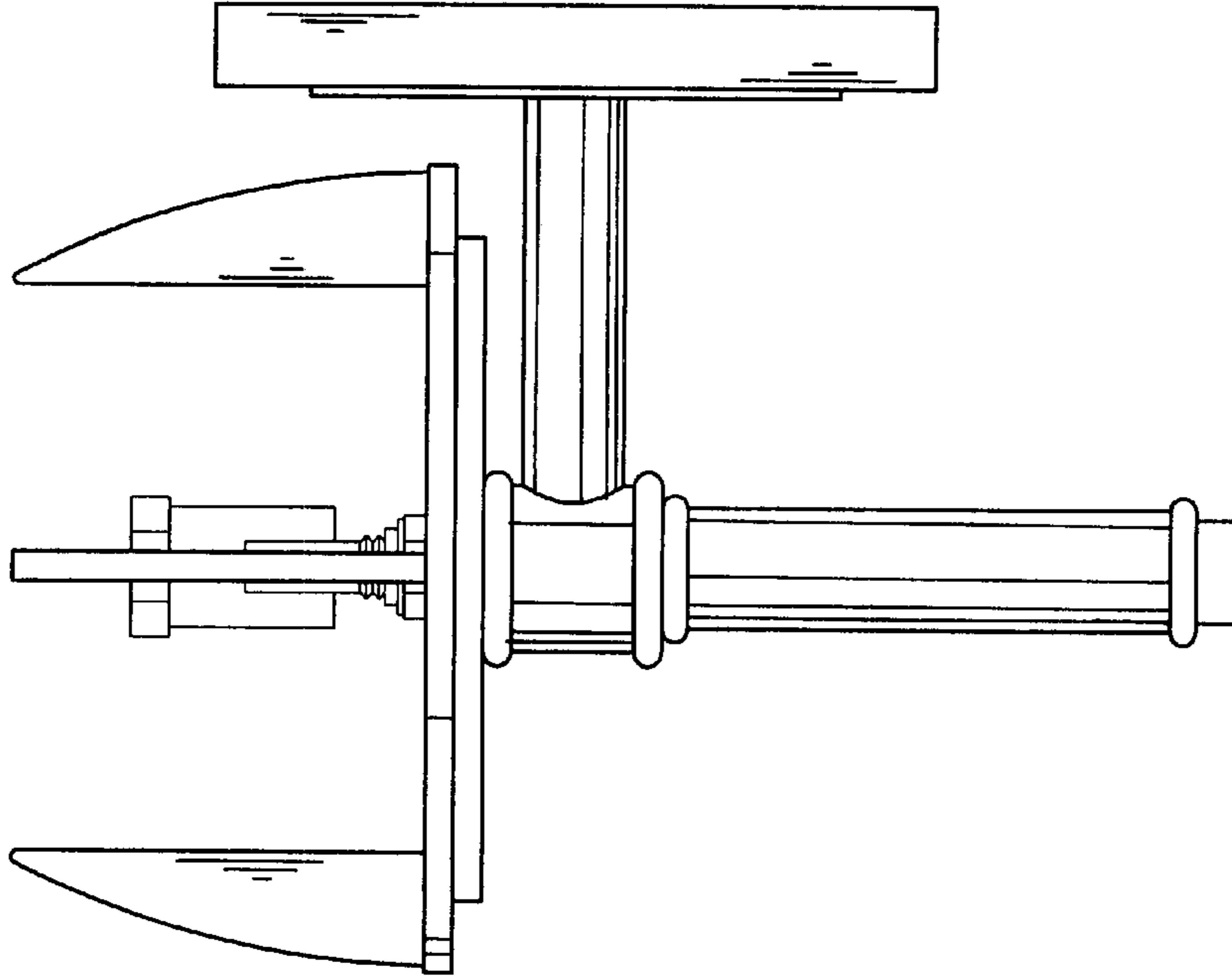


FIG. 5

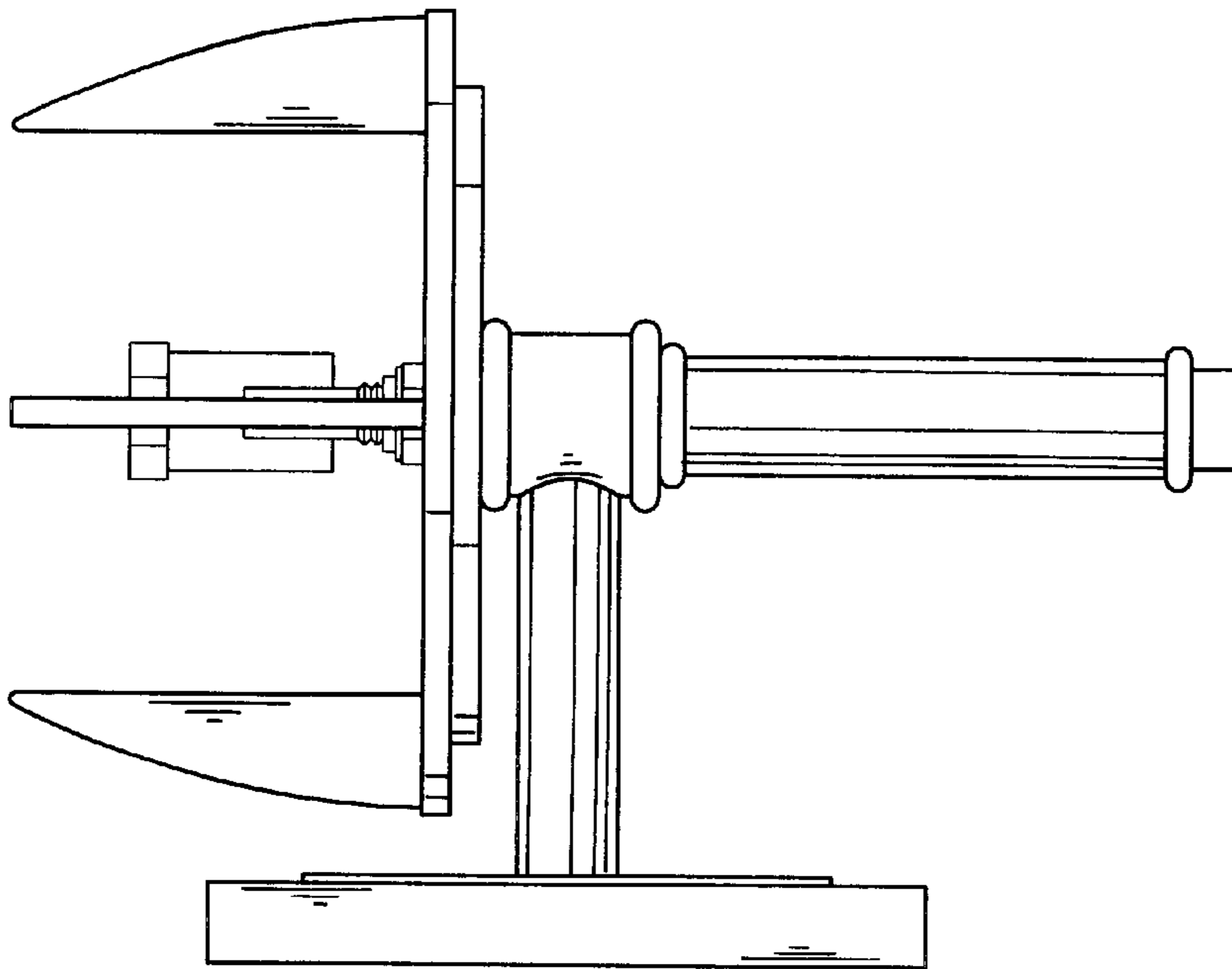


FIG. 4

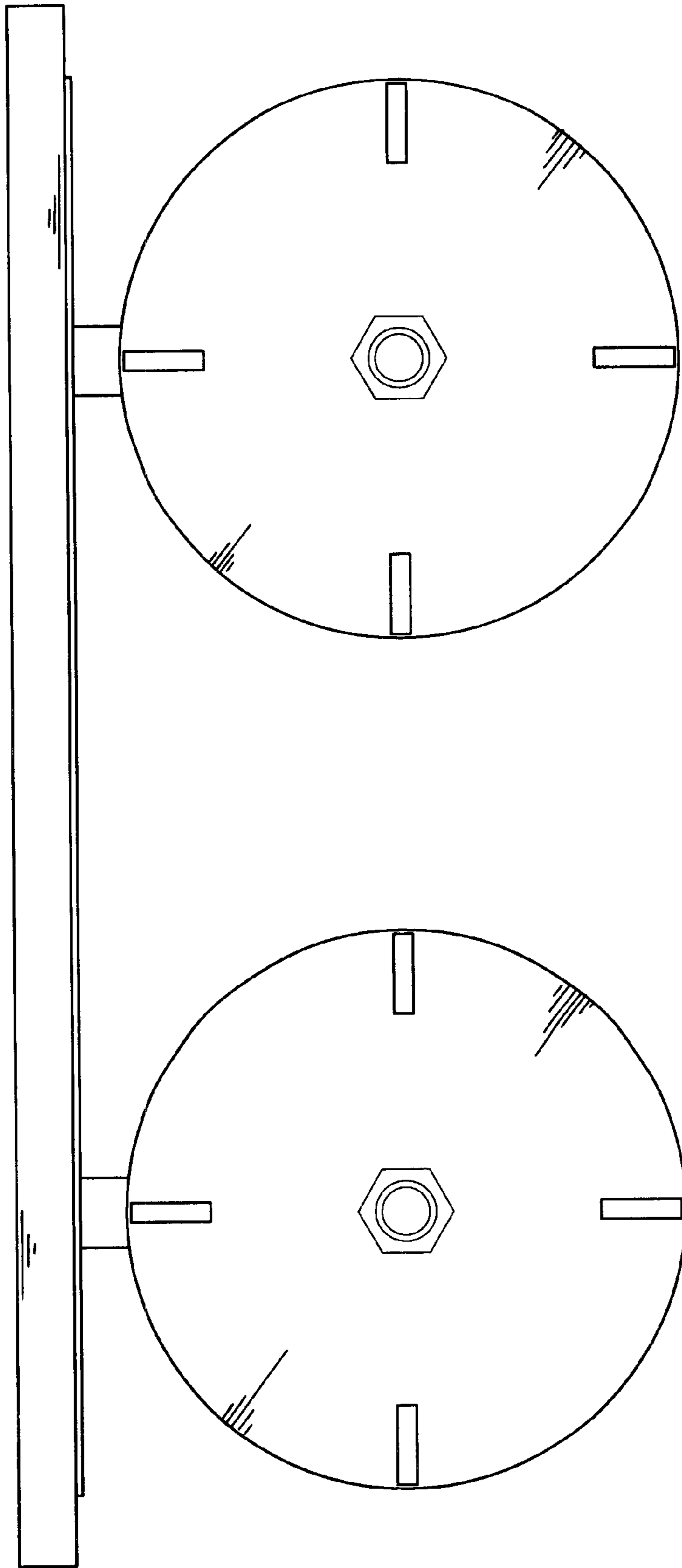


FIG. 6

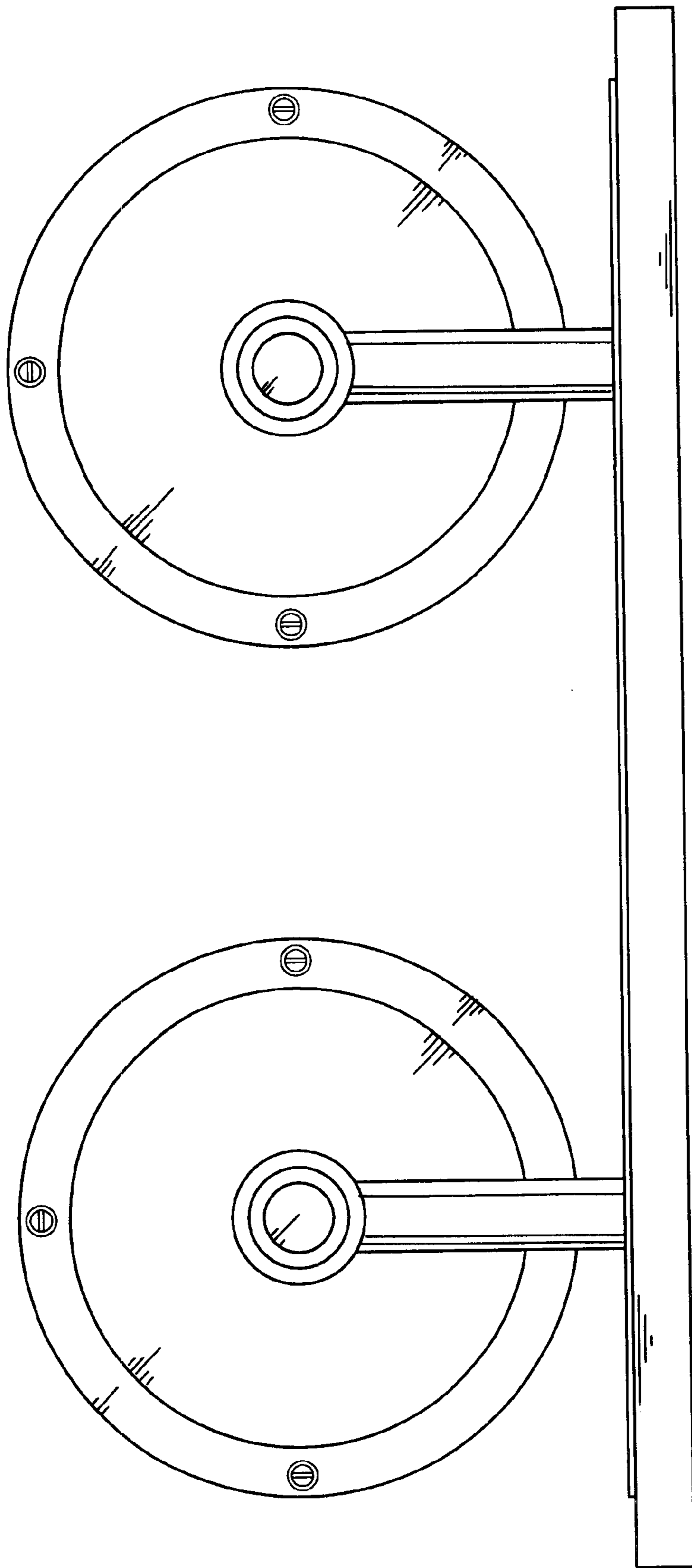


FIG. 7

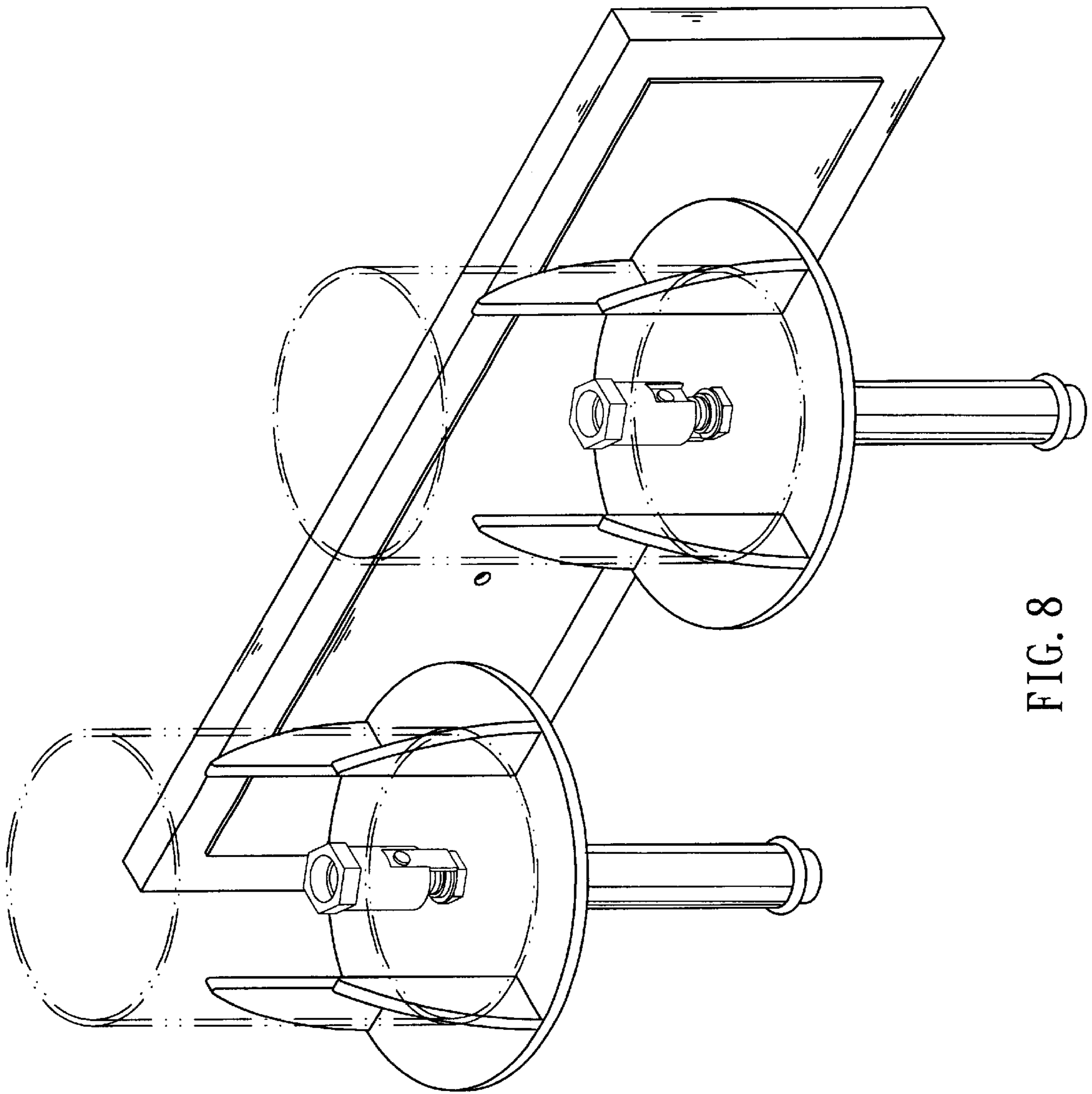


FIG. 8