



US00D472660S

(12) **United States Design Patent** (10) **Patent No.:** **US D472,660 S**
Lee (45) **Date of Patent:** **** Apr. 1, 2003**

(54) **LIGHTING FIXTURE**

(76) Inventor: **Ying-Jue Lee**, 1st Fl., 46, Wu Fu Street, Sanchung, Taipei Hsien (TW)

(**) Term: **14 Years**

(21) Appl. No.: **29/166,442**

(22) Filed: **Aug. 28, 2002**

(51) **LOC (7) Cl.** **26-03**

(52) **U.S. Cl.** **D26/72**

(58) **Field of Search** D26/72, 80-92;
362/404-408, 147, 432

(56) **References Cited**

U.S. PATENT DOCUMENTS

D329,716 S * 9/1992 Gismondi D26/85
D409,789 S * 5/1999 Crosby D26/88
D412,040 S * 7/1999 Hudak et al. D26/87

OTHER PUBLICATIONS

Kichler Lighting Catalog No. 198, p. 173, item #K-10616 NI.*

* cited by examiner

Primary Examiner—Alan P. Douglas

Assistant Examiner—Clare E. Heflin

(74) *Attorney, Agent, or Firm*—Troxell Law Office PLLC

(57) **CLAIM**

The ornamental design for a lighting fixture, as shown.

DESCRIPTION

FIG. 1 is a front perspective view of a lighting fixture showing my new design;

FIG. 2 is a front elevational view thereof;

FIG. 3 is a rear elevational view thereof;

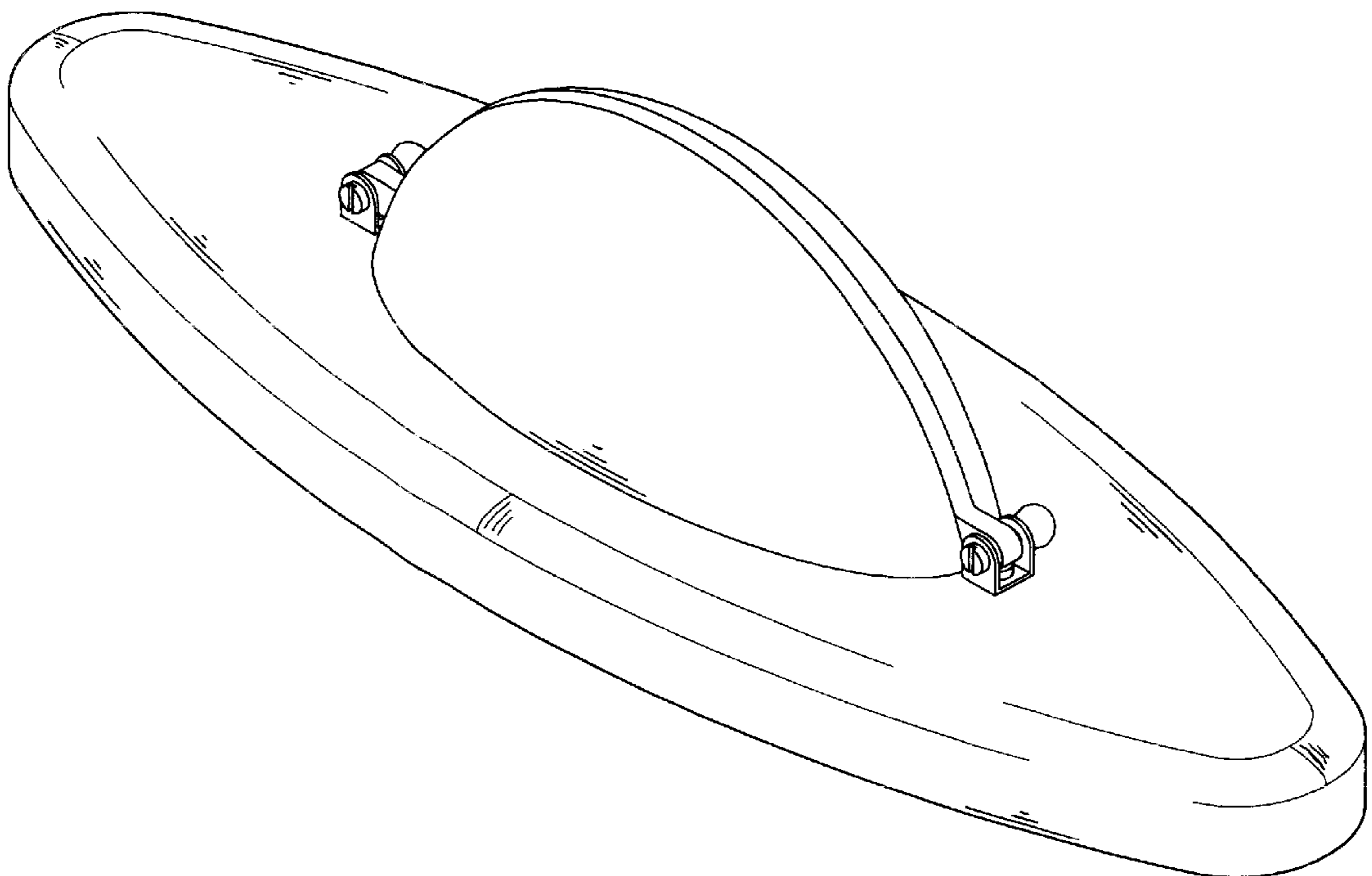
FIG. 4 is a left side elevational view thereof;

FIG. 5 is a right side elevational view thereof;

FIG. 6 is a top plan view thereof; and,

FIG. 7 is a bottom plan view thereof.

1 Claim, 6 Drawing Sheets



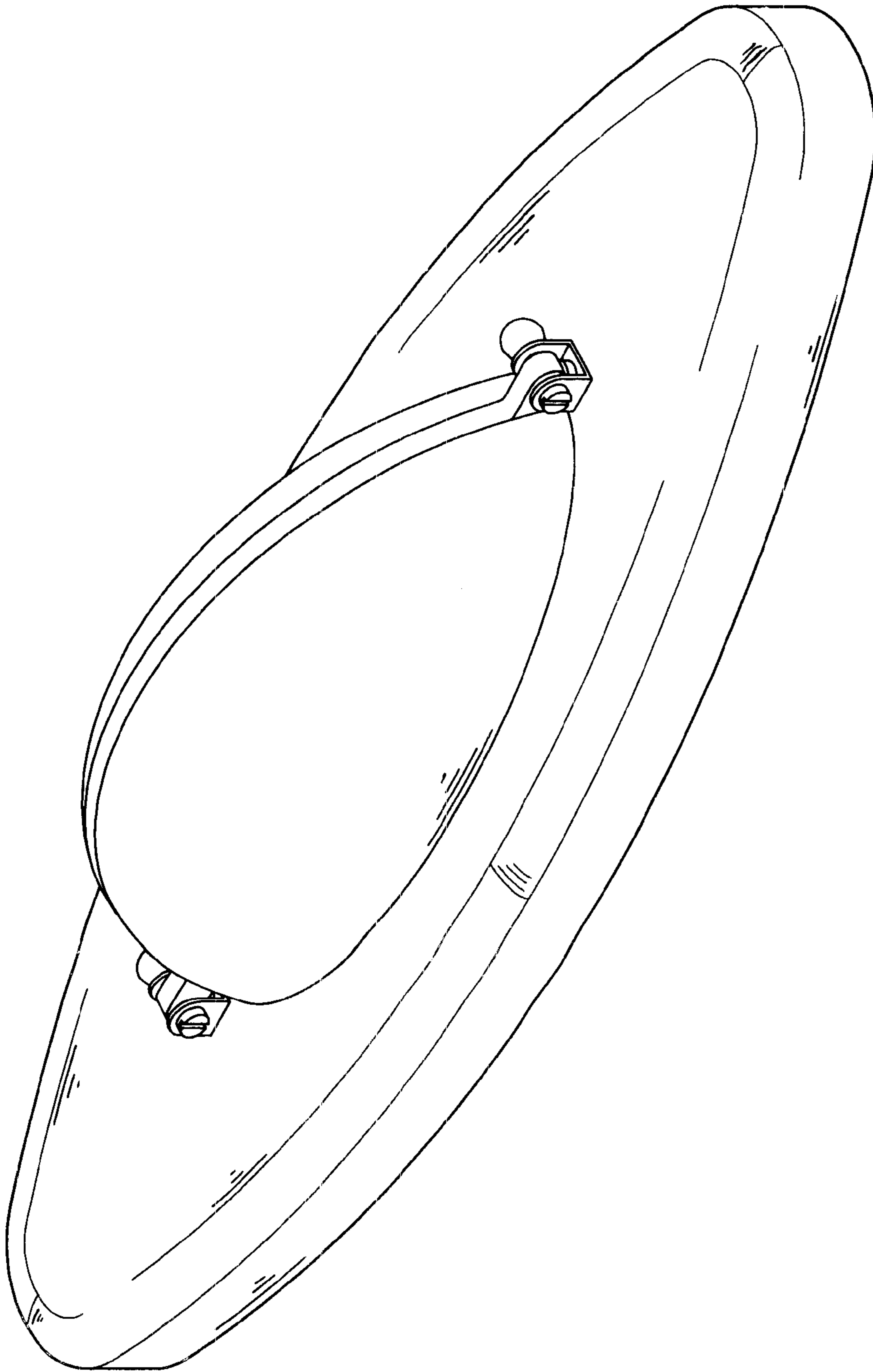


FIG. 1

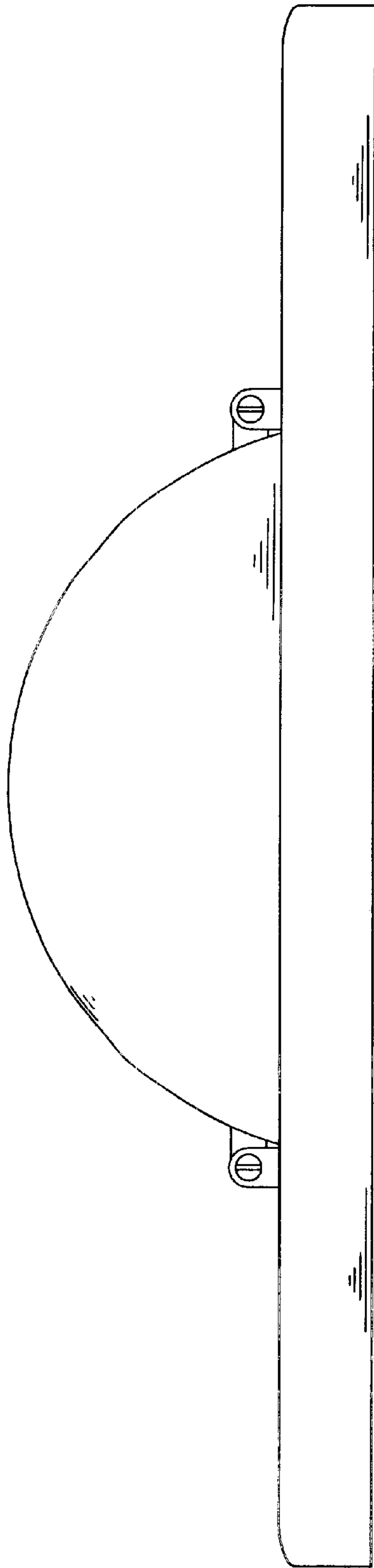


FIG. 2

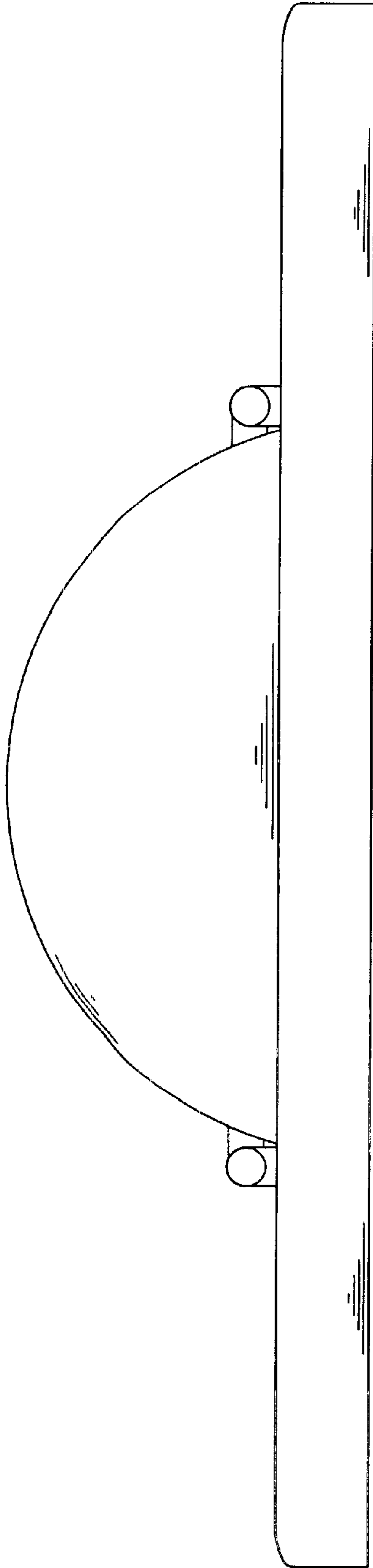


FIG. 3

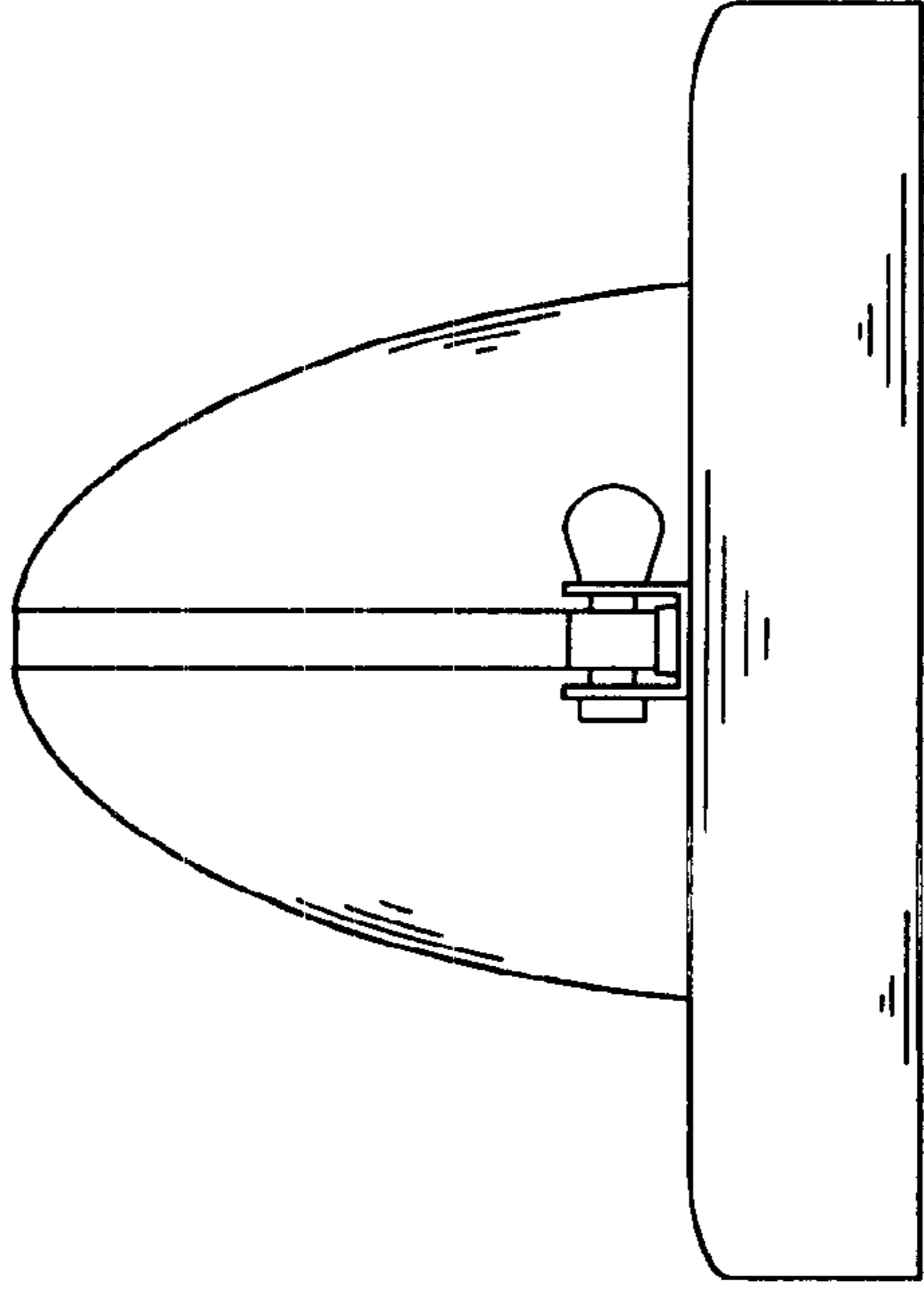


FIG. 5

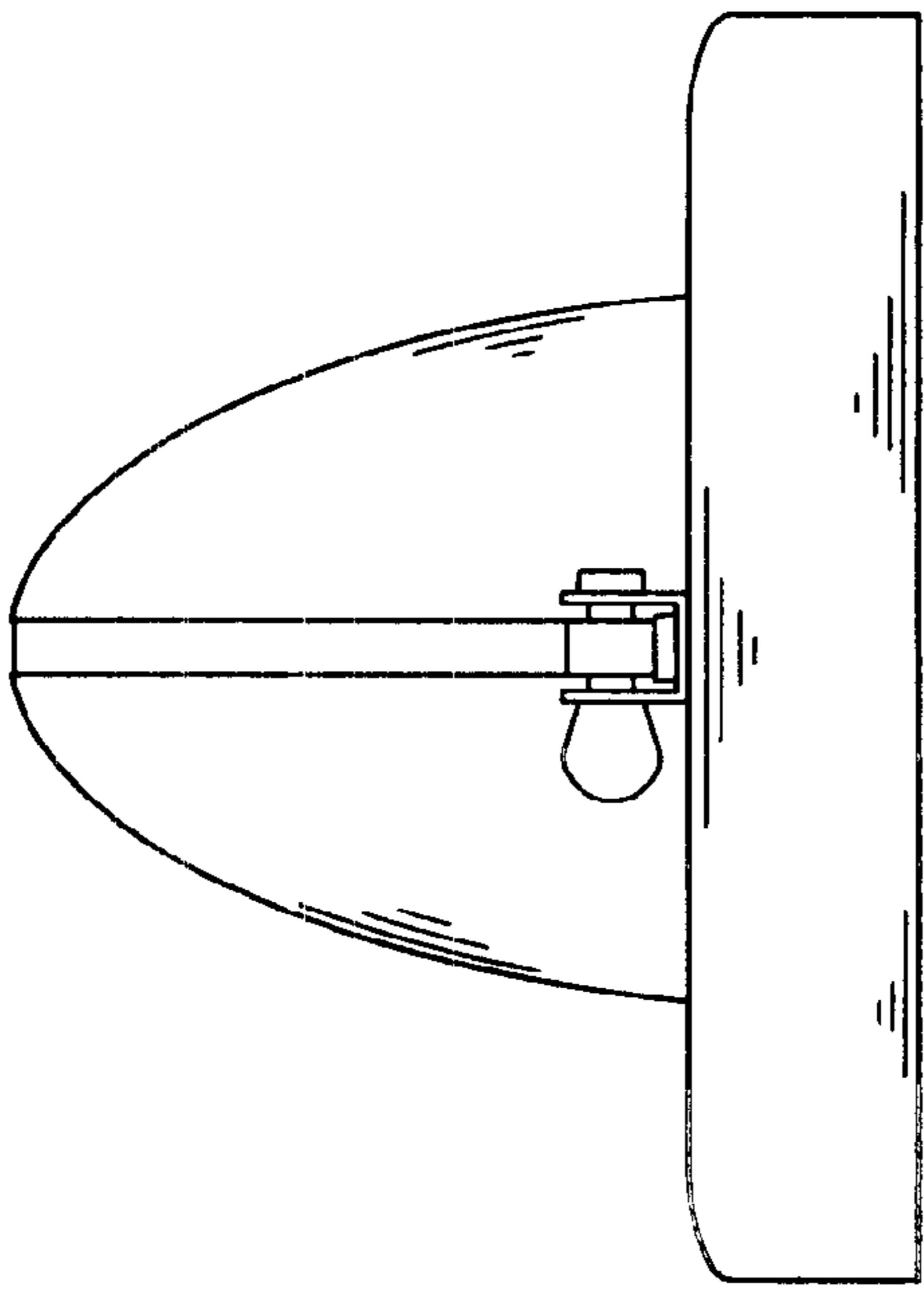


FIG. 4

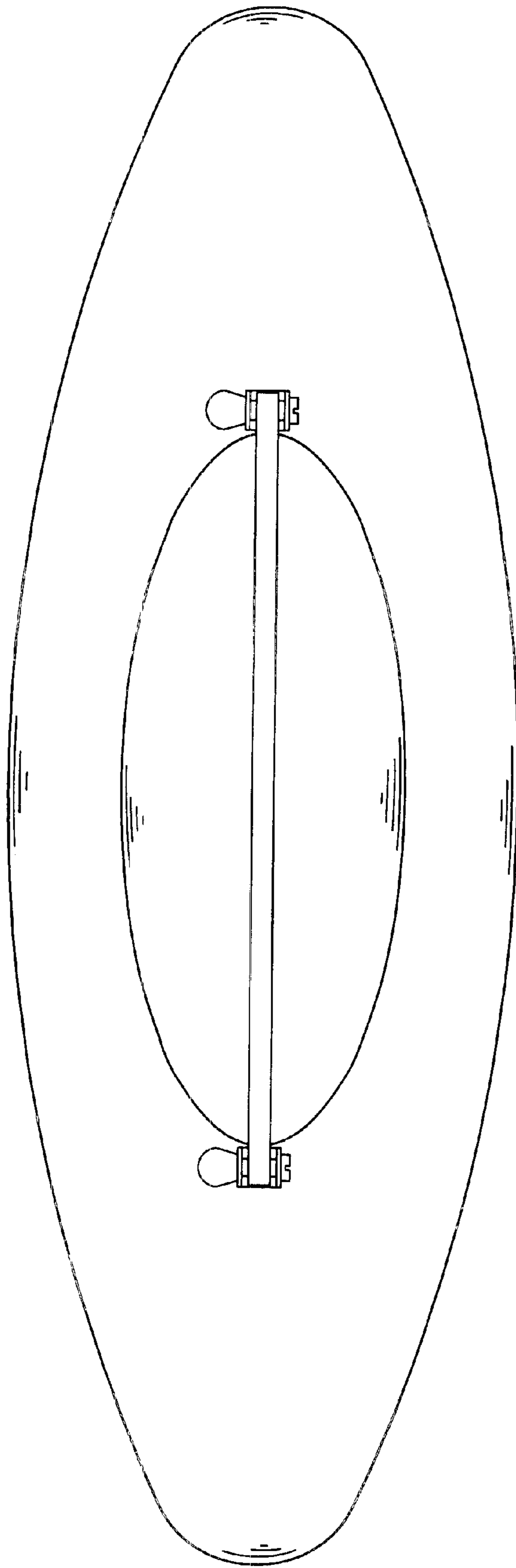


FIG. 6

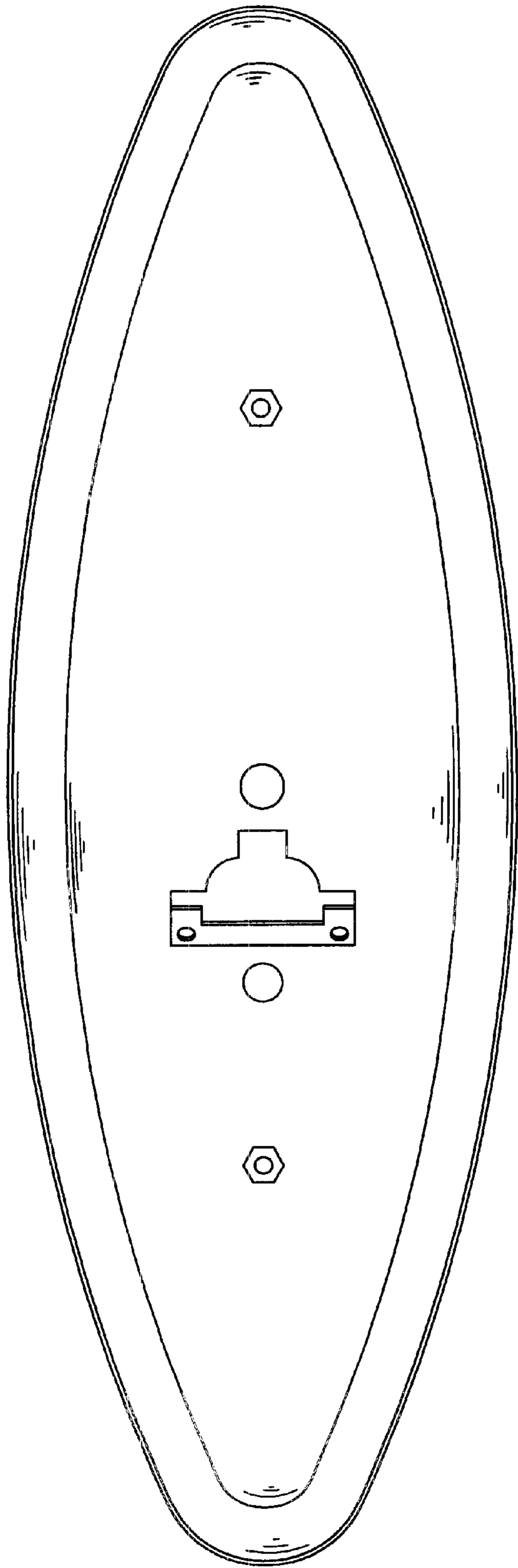


FIG. 7