



US00D472657S

(12) **United States Design Patent**  
**Pfeiffer et al.**

(10) **Patent No.:** **US D472,657 S**

(45) **Date of Patent:** **\*\* Apr. 1, 2003**

(54) **SURFACE CONFIGURATION OF A  
TAILLIGHT FOR A VEHICLE**

D450,141 S \* 11/2001 Sacco et al. .... D26/28  
D451,616 S \* 12/2001 Pfeiffer ..... D26/28

(75) Inventors: **Peter Pfeiffer**, Boeblingen (DE); **Murat  
Guenak**, Ehningen (DE); **Hans-Dieter  
Futschik**, Gechingen (DE)

\* cited by examiner

*Primary Examiner*—Marcus A. Jackson  
(74) *Attorney, Agent, or Firm*—Crowell & Moring LLP

(73) Assignee: **DaimlerChrysler AG**, Stuttgart (DE)

(57) **CLAIM**

(\*\*) Term: **14 Years**

The ornamental design for a surface configuration of a  
taillight for a vehicle, as shown and described.

(21) Appl. No.: **29/166,174**

**DESCRIPTION**

(22) Filed: **Aug. 23, 2002**

(30) **Foreign Application Priority Data**

Feb. 26, 2002 (DE) ..... 402 01 690

(51) **LOC (7) Cl.** ..... **26-06**

(52) **U.S. Cl.** ..... **D26/28**

(58) **Field of Search** ..... D26/28-36; 362/61,  
362/80, 81, 82, 83, 83.4, 267, 269, 275,  
330-340

FIG. 1 is a front view of a first embodiment of a surface  
configuration of a taillight for a vehicle according to our  
novel design;

FIG. 2 is a perspective view of the first embodiment of the  
surface configuration of a taillight for a vehicle according to  
our novel design;

FIG. 3 is a front view of a second embodiment of the surface  
configuration of a taillight for a vehicle according to our  
novel design; and,

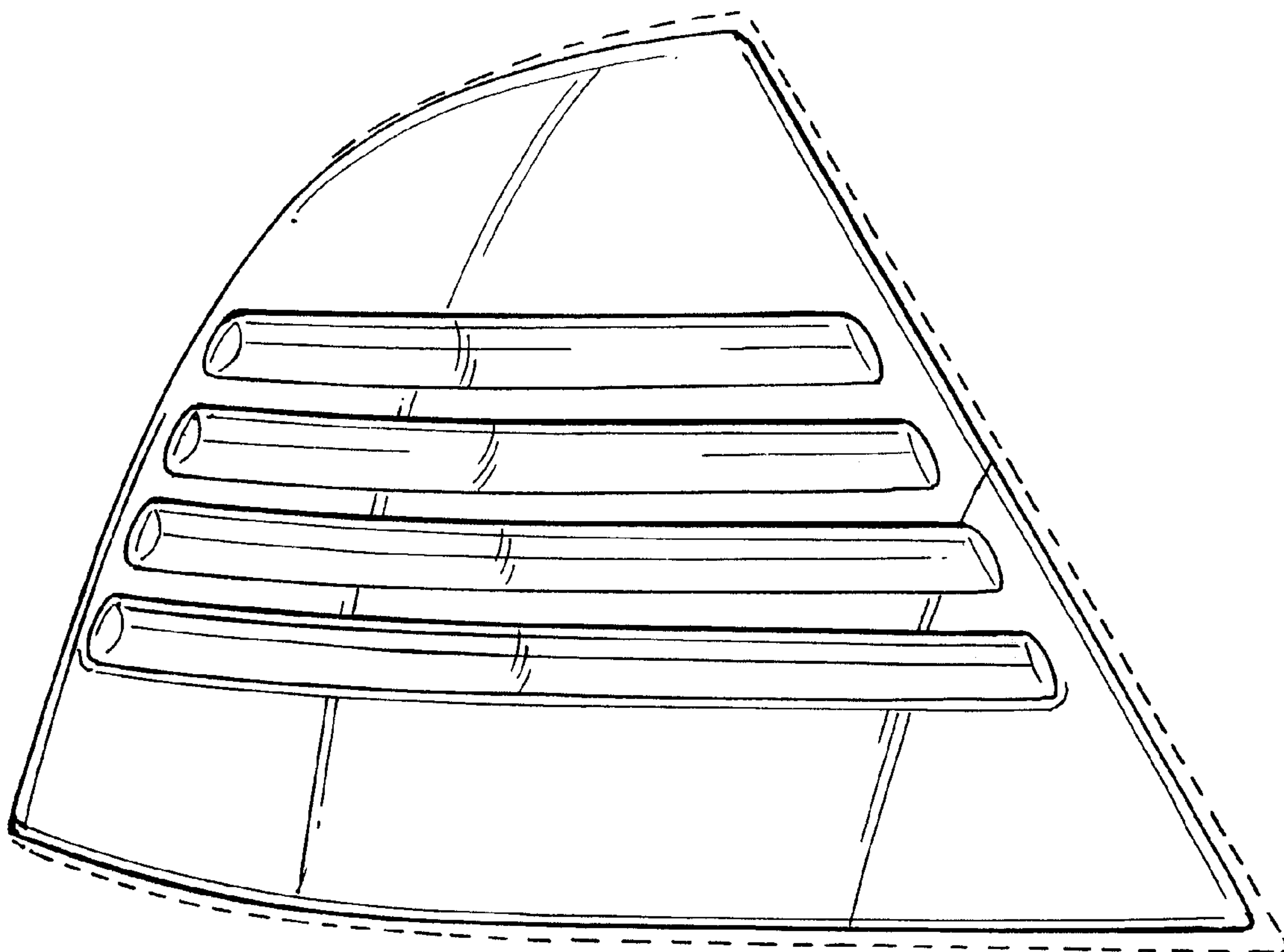
FIG. 4 is a perspective view of the second embodiment of  
the surface configuration of a taillight for a vehicle accord-  
ing to our novel design.

(56) **References Cited**

**U.S. PATENT DOCUMENTS**

D396,310 S 7/1998 Sacco et al. .... D26/28

**1 Claim, 2 Drawing Sheets**



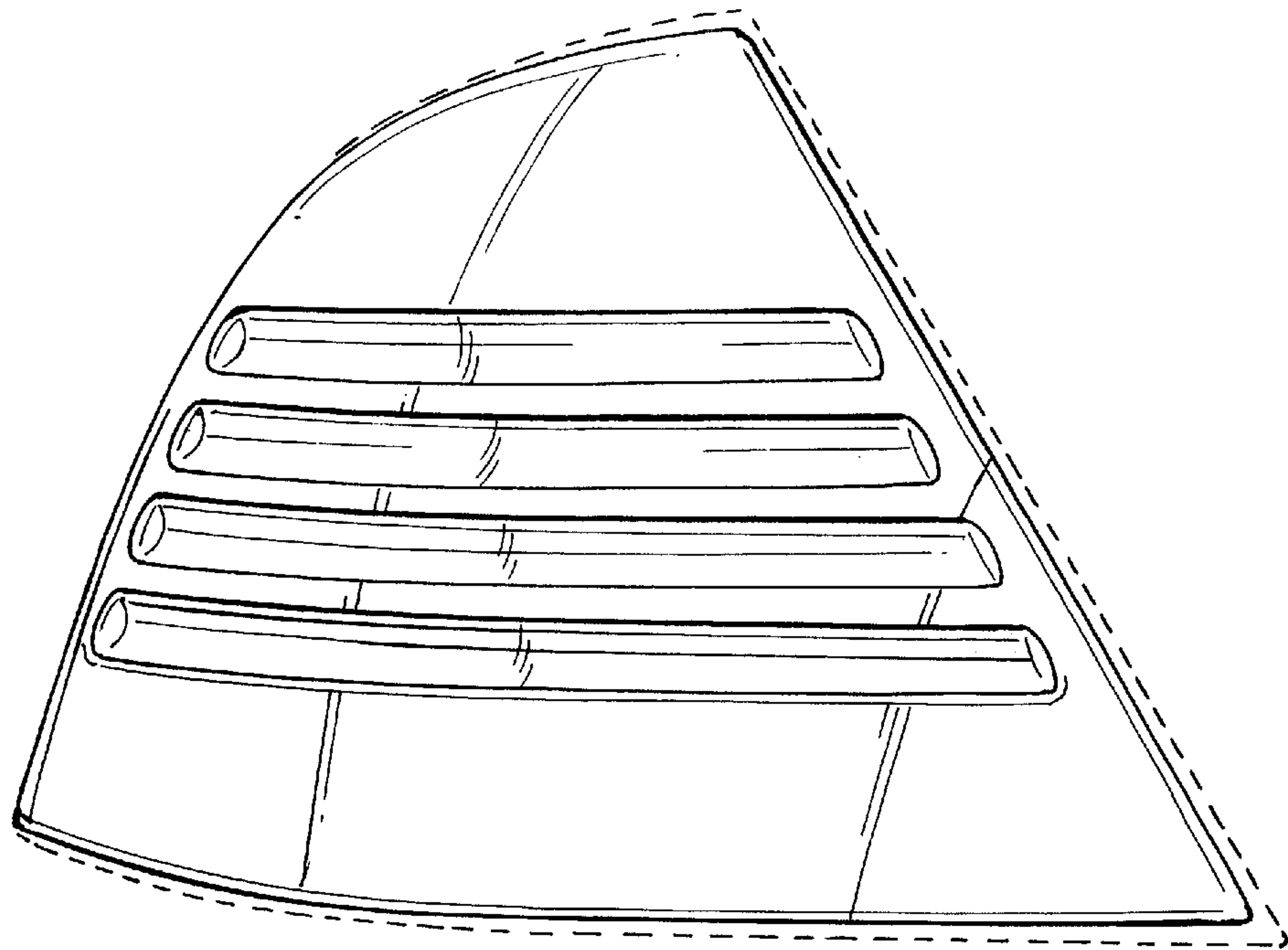


FIG. 1

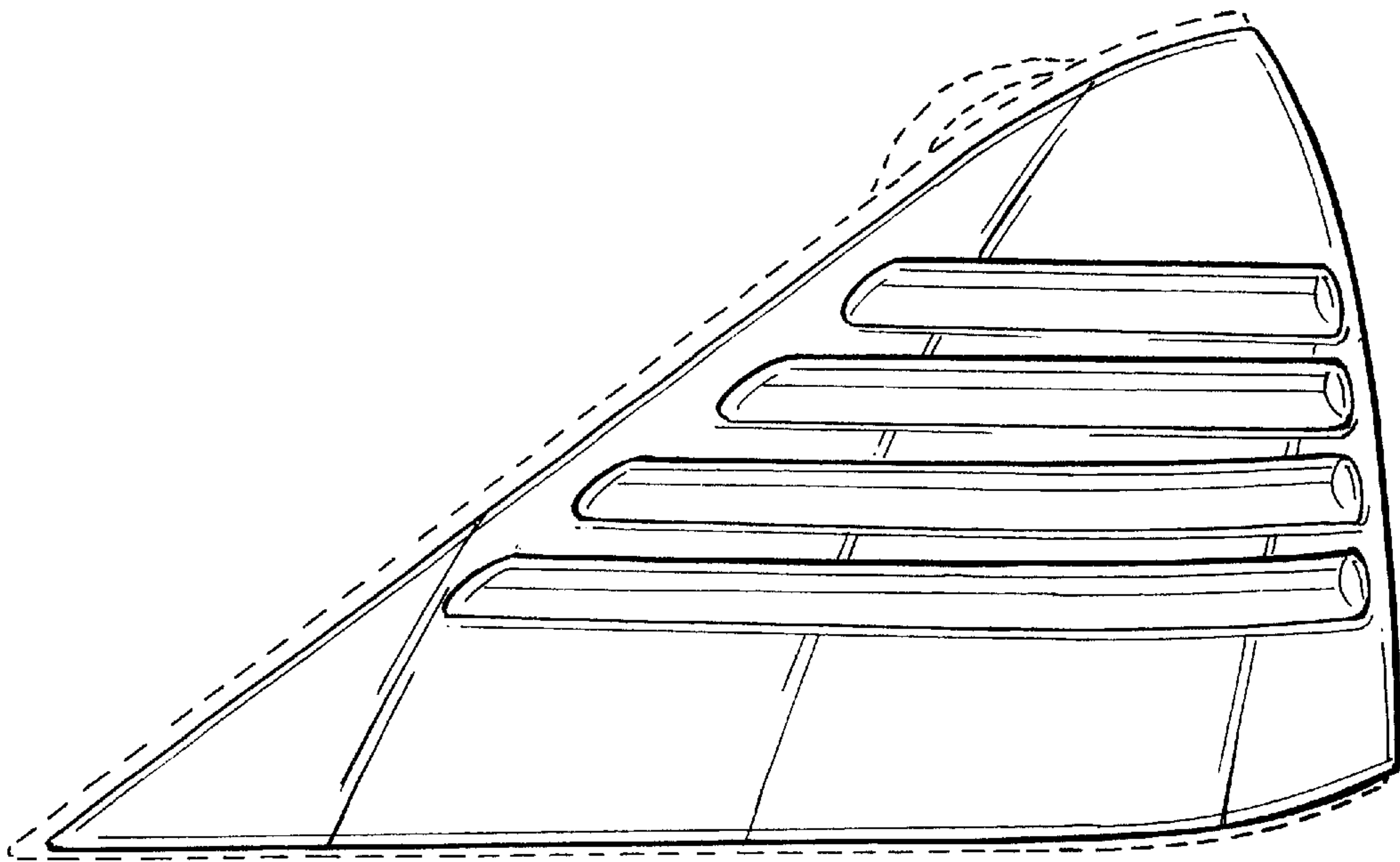


FIG. 2

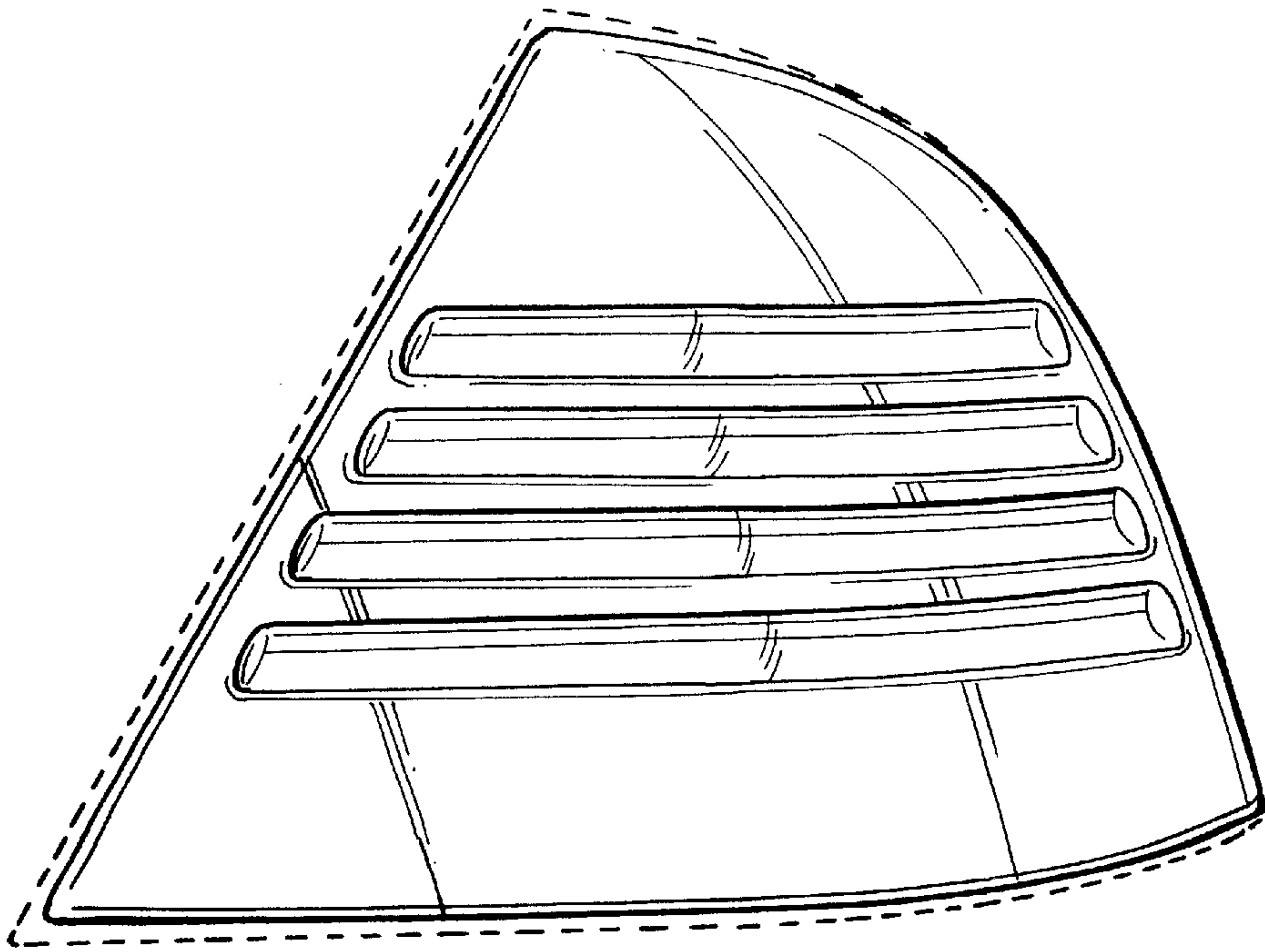


FIG. 3

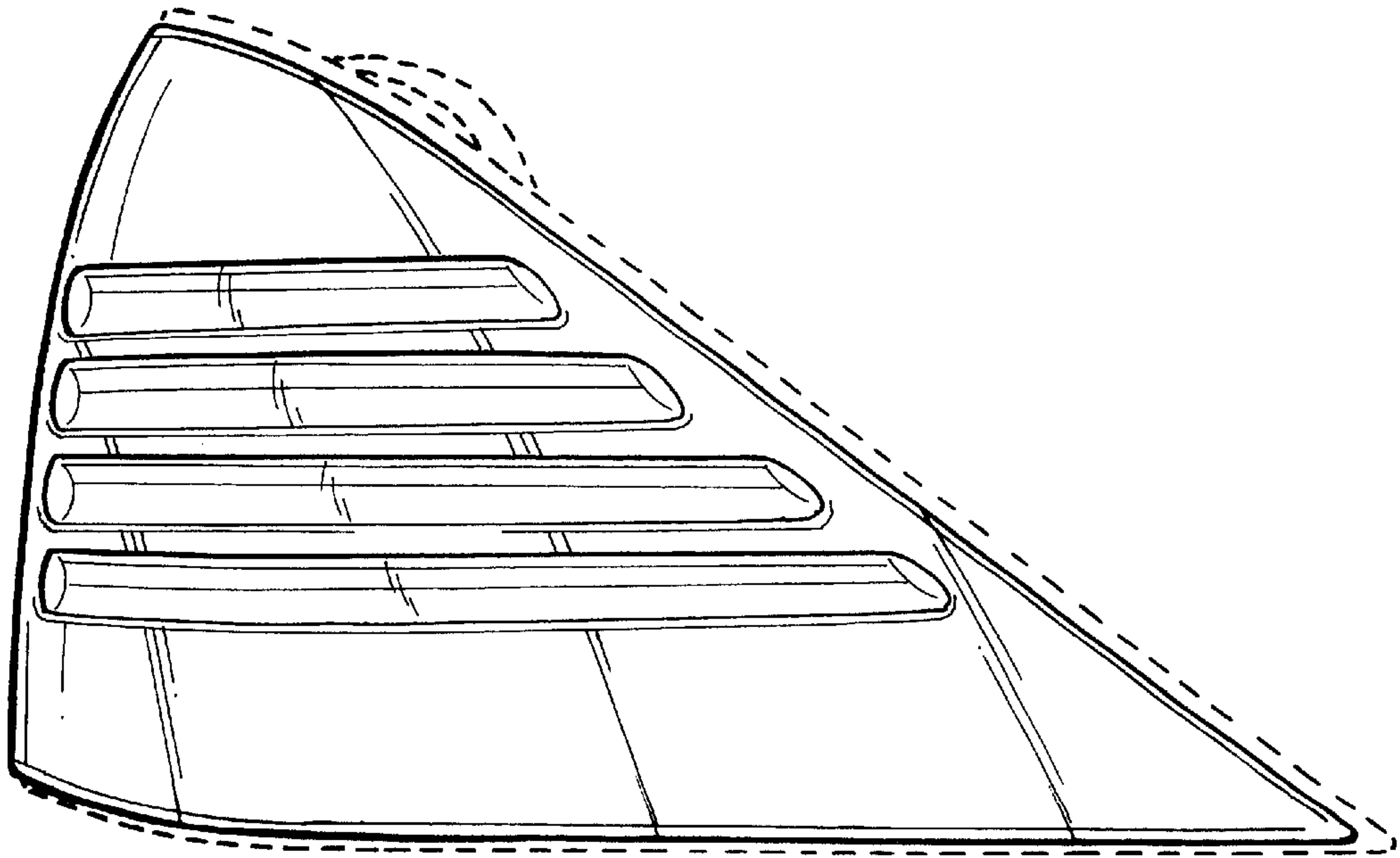


FIG. 4