



US00D472655S

(12) **United States Design Patent** (10) **Patent No.:** **US D472,655 S**
Lin (45) **Date of Patent:** **** Apr. 1, 2003**

(54) **EXTERIOR SURFACE CONFIGURATION OF AN AUTOMOBILE FRONT LIGHT ASSEMBLY**

(76) Inventor: **Yu-Chu Lin**, No. 477, Chung Shan N. Rd., Yung Kang City, Tainan Hsien (TW)

(**) Term: **14 Years**

(21) Appl. No.: **29/165,422**

(22) Filed: **Aug. 12, 2002**

(51) **LOC (7) Cl.** **26-06**

(52) **U.S. Cl.** **D26/28**

(58) **Field of Search** D26/28-36; 362/61, 362/80, 81, 82, 83, 83.4, 267, 269, 275, 330-340

(56) **References Cited**

U.S. PATENT DOCUMENTS

D391,652 S	*	3/1998	Sacco et al.	D26/28
D439,995 S	*	4/2001	Nakaazwa et al.	D26/28
D457,975 S	*	5/2002	Horowitz	D26/28
D465,862 S	*	11/2002	Lin	D26/28

* cited by examiner

Primary Examiner—Marcus A. Jackson
(74) *Attorney, Agent, or Firm*—Rosenberg, Klein & Lee

(57) **CLAIM**

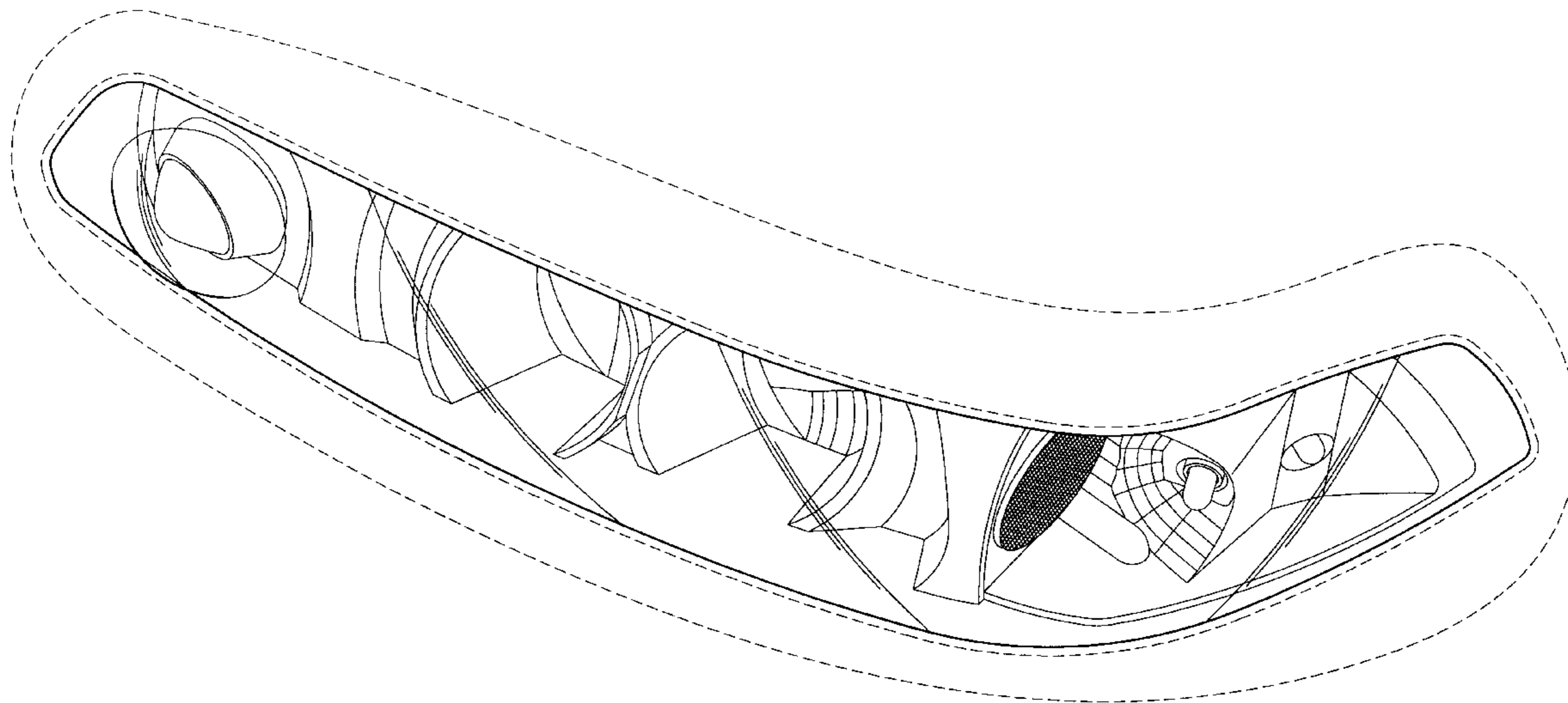
The ornamental design for an exterior surface configuration of an automobile front light assembly, as shown and described.

DESCRIPTION

FIG. 1 is a perspective view from the front of a right side light assembly of an exterior surface configuration of an automobile front light assembly showing my present design; FIG. 2 is a front view thereof; FIG. 3 is a right view thereof; and, FIG. 4 is a top view thereof.

This design represents one embodiment of a design for an exterior surface configuration of an automobile front light assembly. The drawings and descriptions represent the right side embodiment. The design also contemplates a mirror symmetrical embodiment on the left side of the automobile. The dash line included denotes environment and is not part of the claimed design.

1 Claim, 4 Drawing Sheets



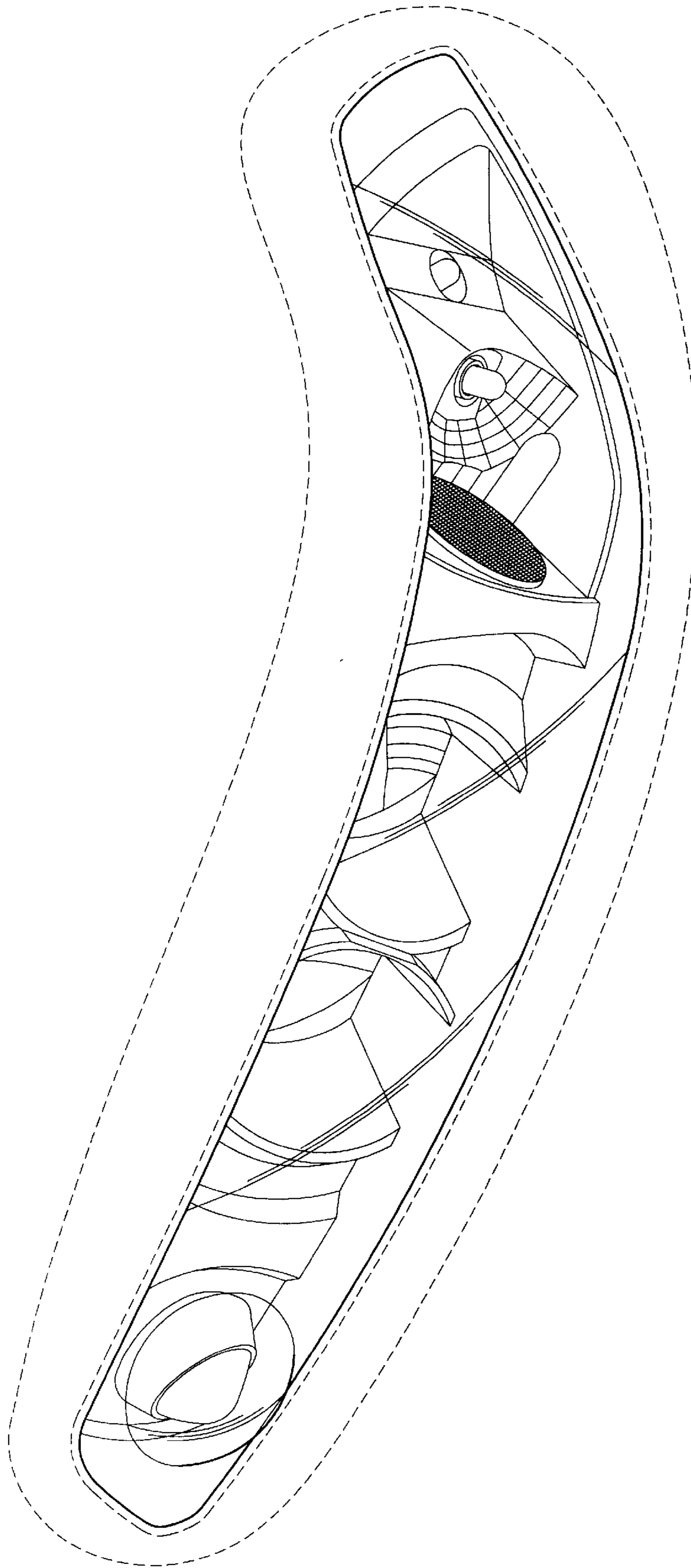


FIG. 1

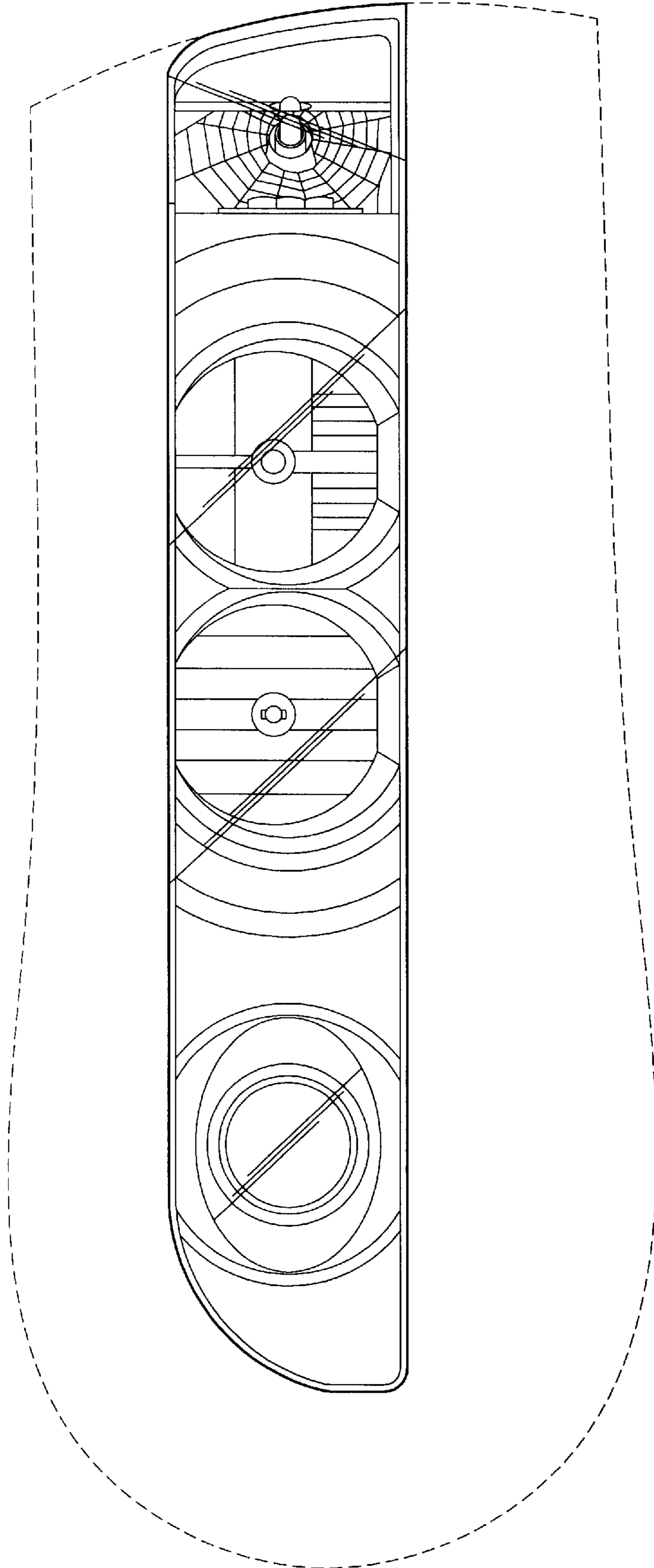


FIG. 2

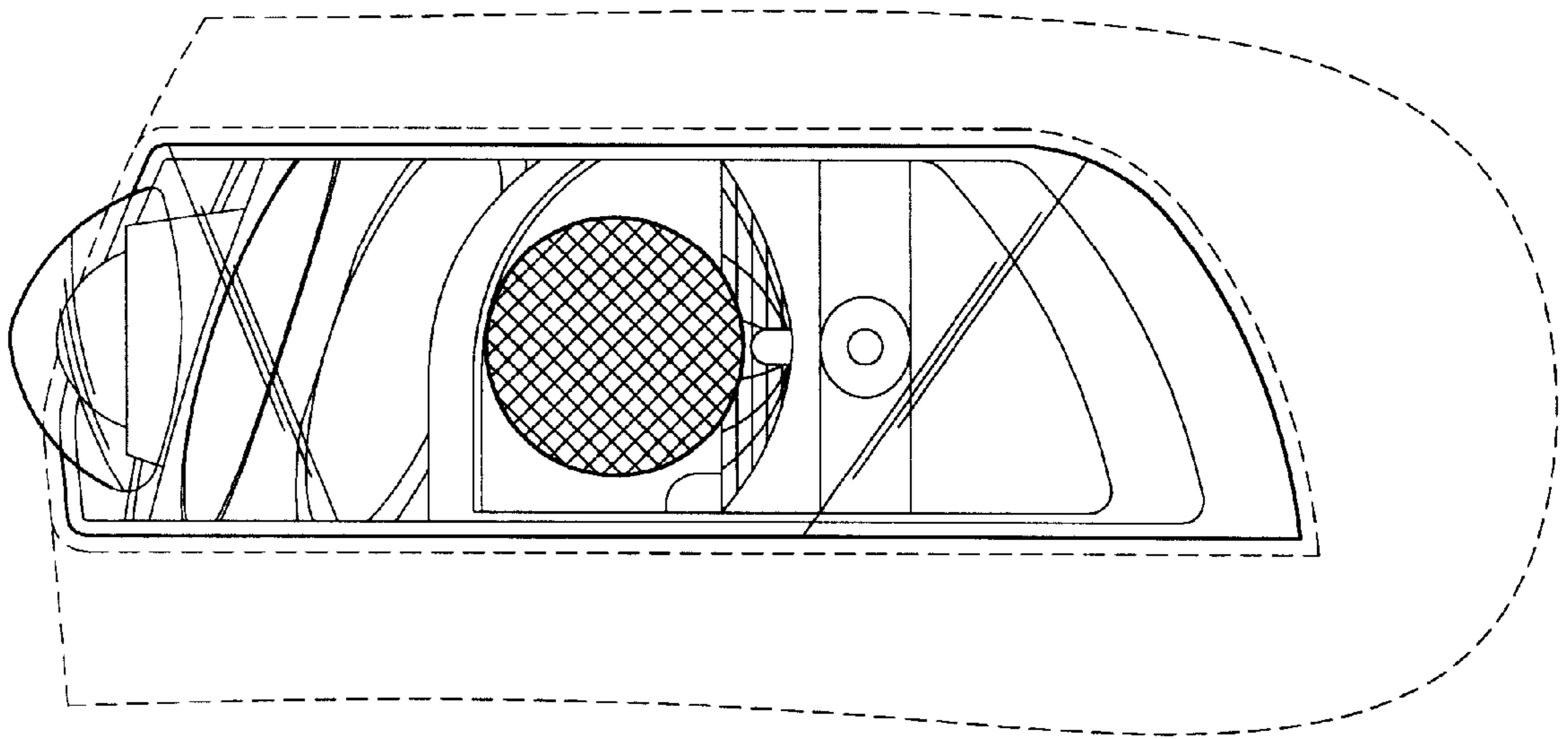


FIG. 3

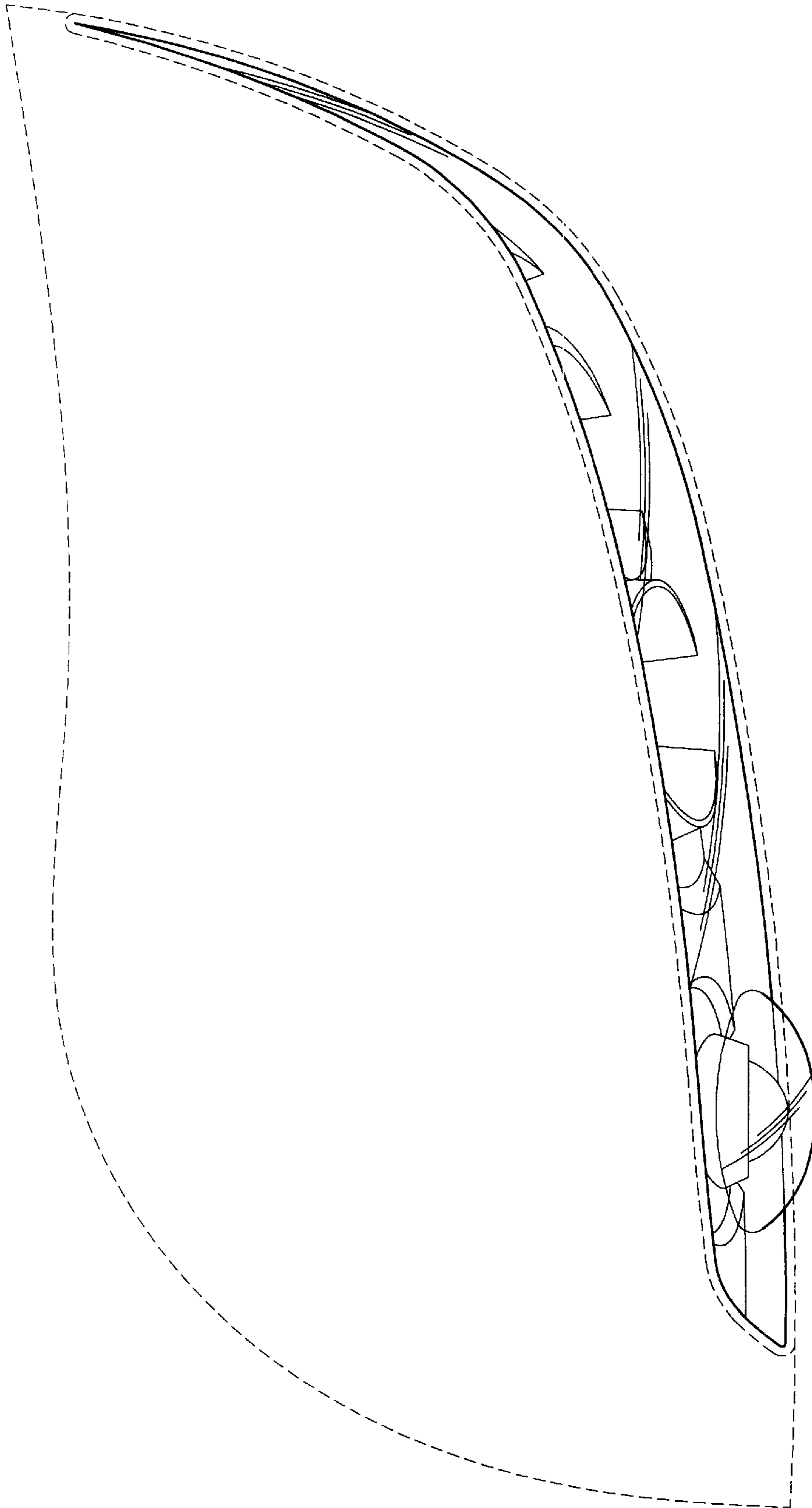


FIG. 4