



US00D472654S

(12) **United States Design Patent**
Wiggerman

(10) **Patent No.:** **US D472,654 S**

(45) **Date of Patent:** **** Apr. 1, 2003**

(54) **BOAT LIGHT**

(76) Inventor: **Ronald E. Wiggerman**, 537 S.
Rosemont, Mesa, AZ (US) 85206

(**) Term: **14 Years**

(21) Appl. No.: **29/155,250**

(22) Filed: **Feb. 5, 2002**

(51) **LOC (7) Cl.** **26-06**

(52) **U.S. Cl.** **D26/28**

(58) **Field of Search** D26/28-36, 72,
D26/74, 85; 362/61, 80, 80.1, 82, 83, 83.2,
83.3, 267, 269, 361, 362, 364

(56) **References Cited**

U.S. PATENT DOCUMENTS

D316,159 S * 4/1991 Whitley, II D26/28
D372,994 S * 8/1996 Ziay lek et al. D26/28

OTHER PUBLICATIONS

Docking Lights Series Eighty. Five, Brochure 8500, Aqua
Signal Corporation, Batavia, Illinois prior to Feb. 5, 2002.

* cited by examiner

Primary Examiner—Marcus A. Jackson
(74) *Attorney, Agent, or Firm*—McKee, Voorhees & Sease,
P.L.C.

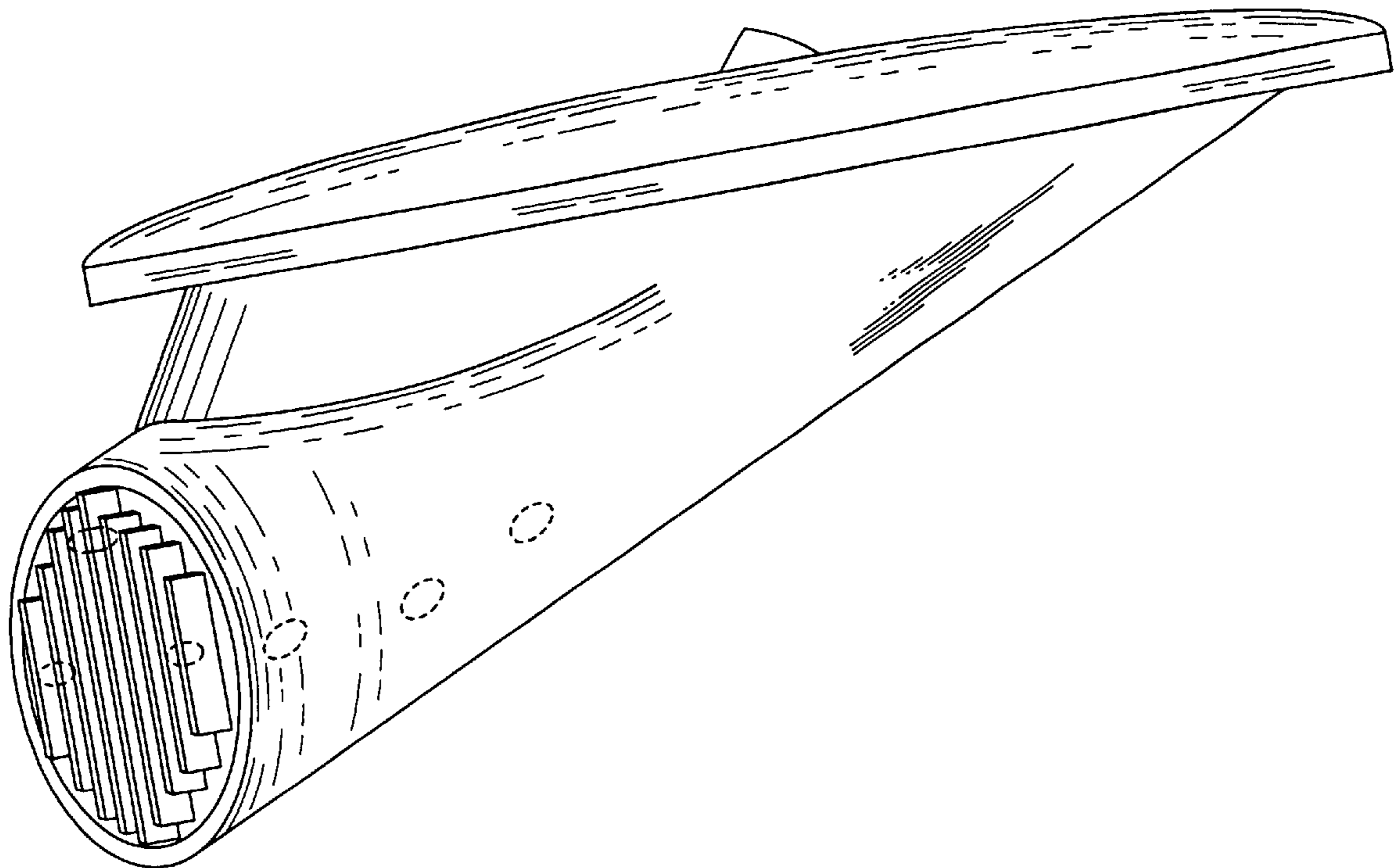
(57) **CLAIM**

I claim the ornamental design for a boat light, as shown and
described.

DESCRIPTION

FIG. 1 is a fragmentary perspective view of a boat light
mounted in the hull of a boat showing my new design, with
the broken line showing for illustrative purposes only and
forming no part of the claimed design;
FIG. 2 is a top plan view thereof.
FIG. 3 is a bottom plan view of the boat light face plate.
FIG. 4 is a side elevational view thereof.
FIG. 5 is an end view taken from the left end in FIG. 3.
FIG. 6 is an end view taken from the right end in FIG. 3.
FIG. 7 is a perspective view of the boat light assembly.
FIG. 8 is a side elevational view thereof.
FIG. 9 is an elevational view from the right end in FIG. 8.
FIG. 10 is an elevational view from the left end in FIG. 8,
and;
FIG. 11 is a bottom plan view thereof.

1 Claim, 5 Drawing Sheets



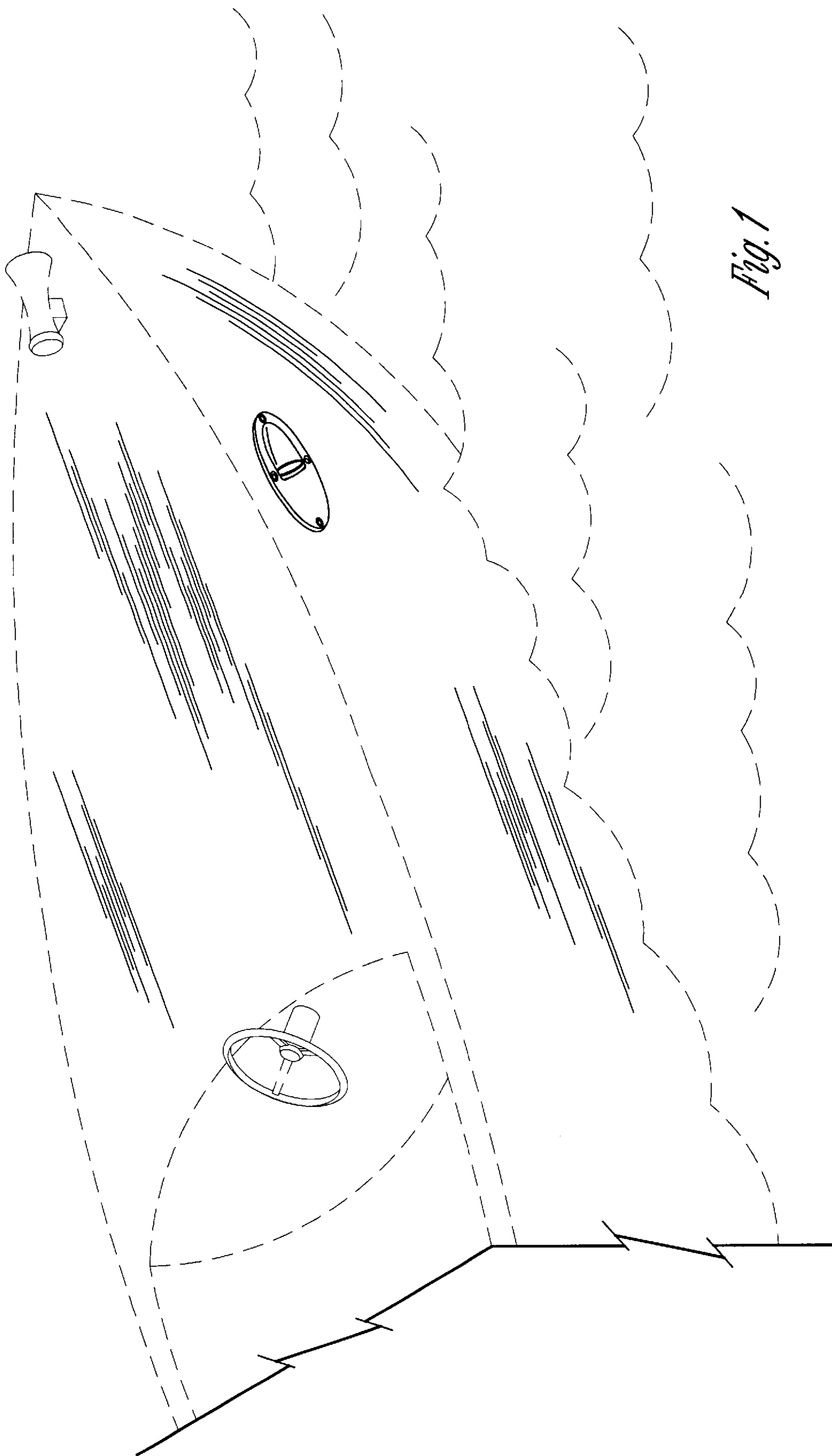


Fig. 1

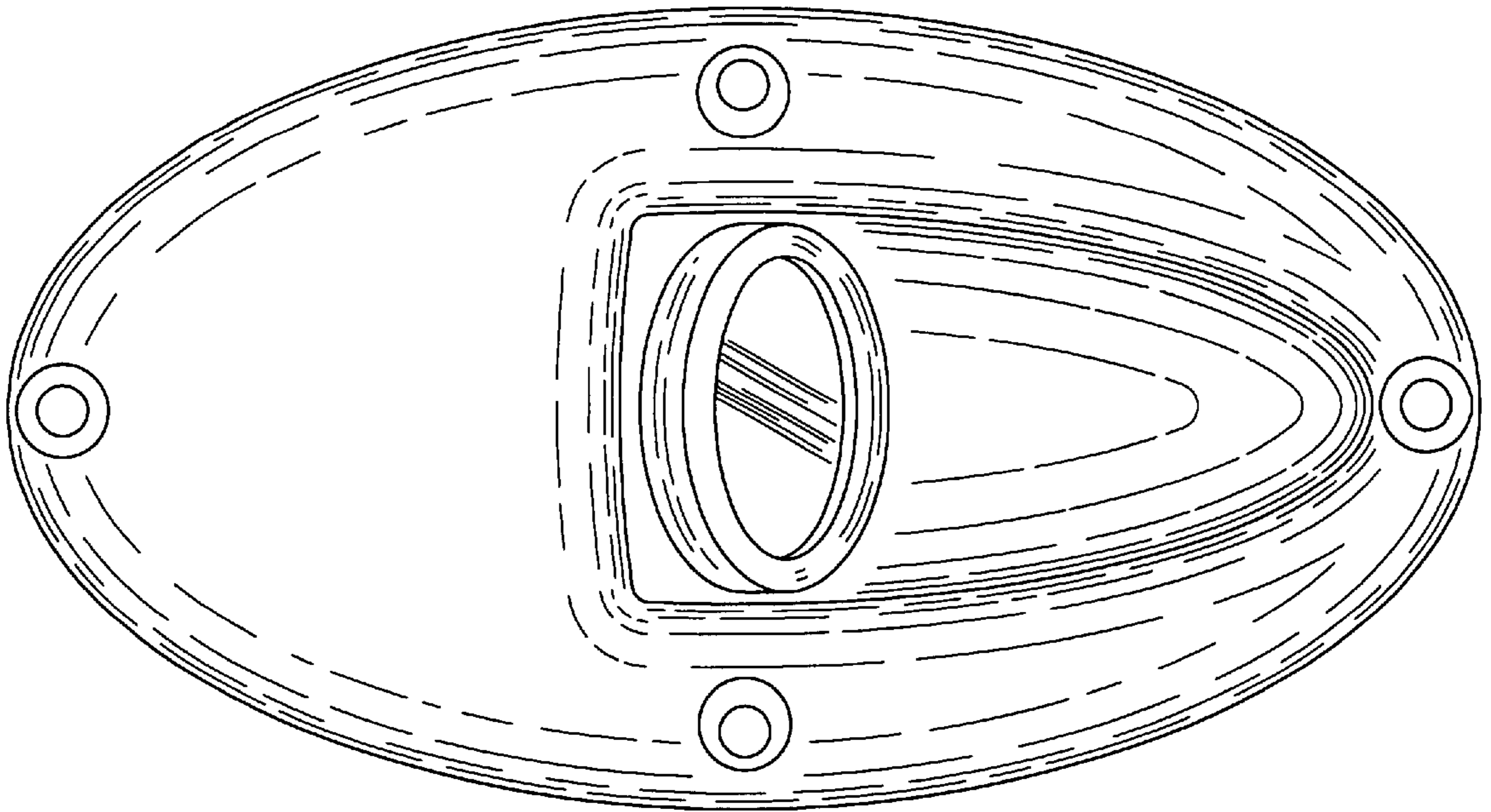


Fig. 2

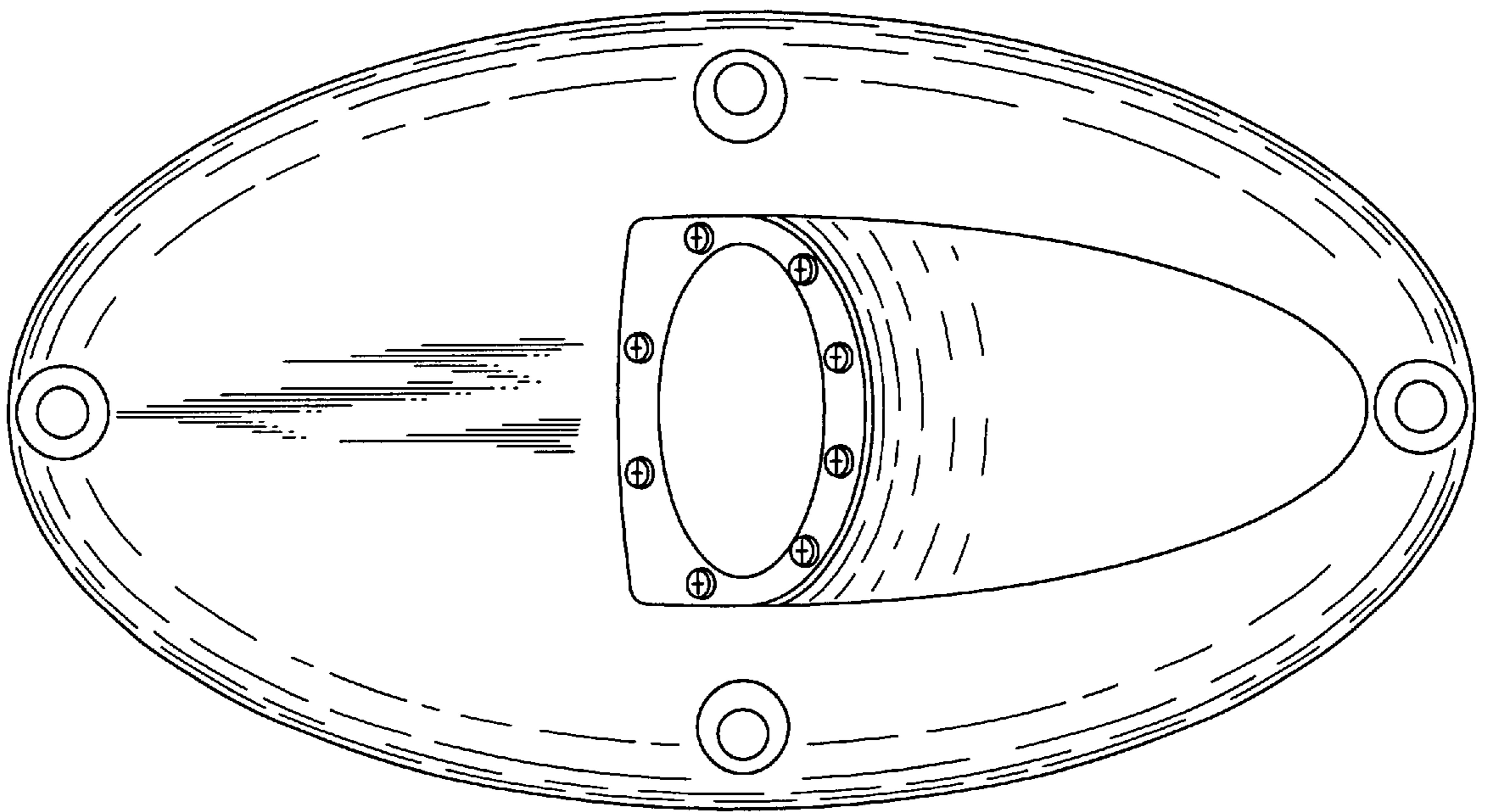


Fig. 3

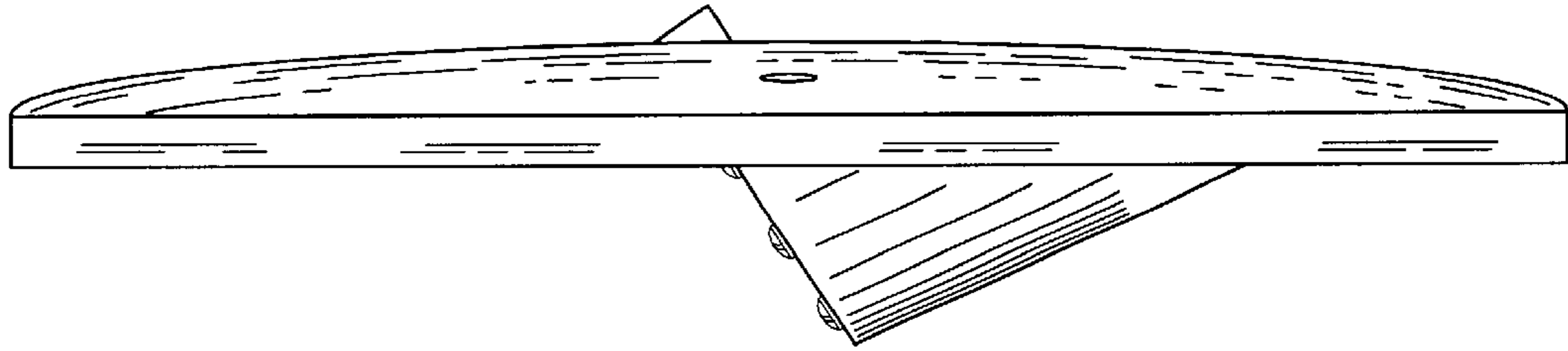


Fig. 4

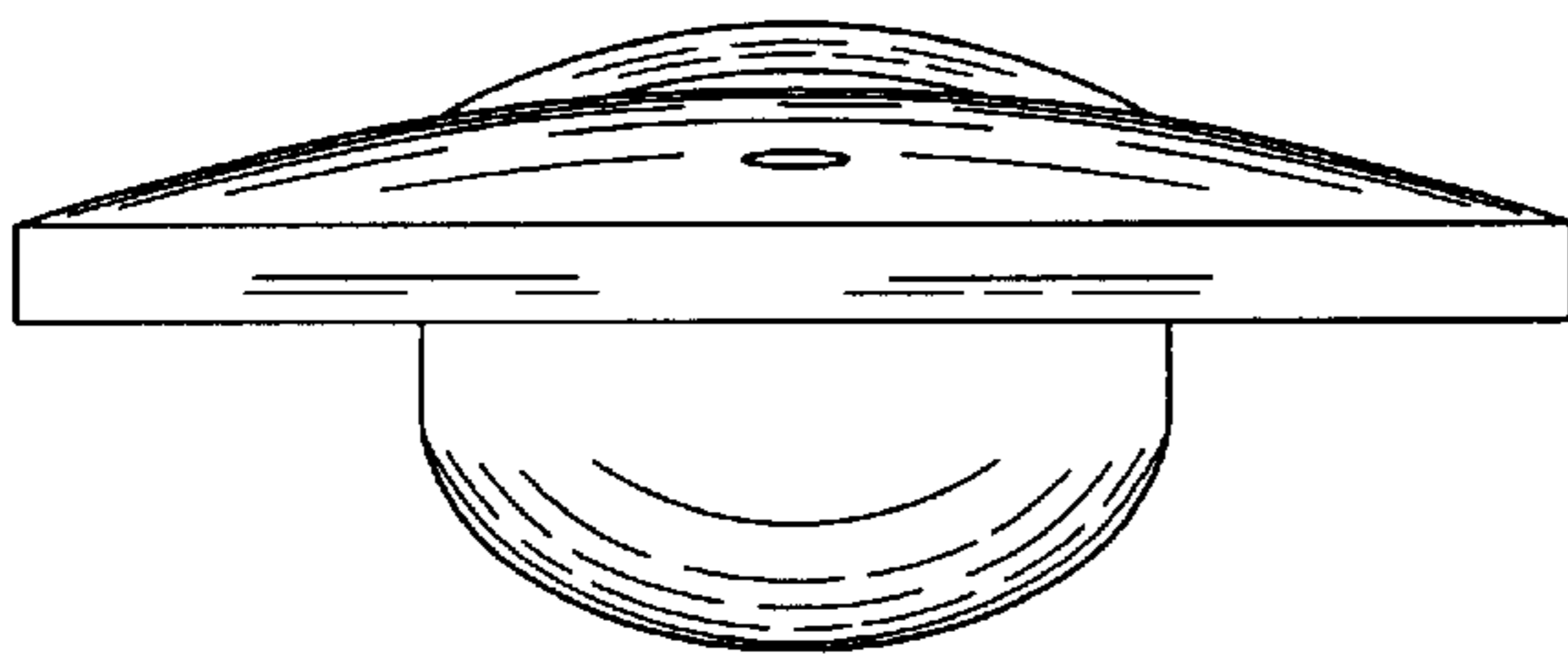


Fig. 5

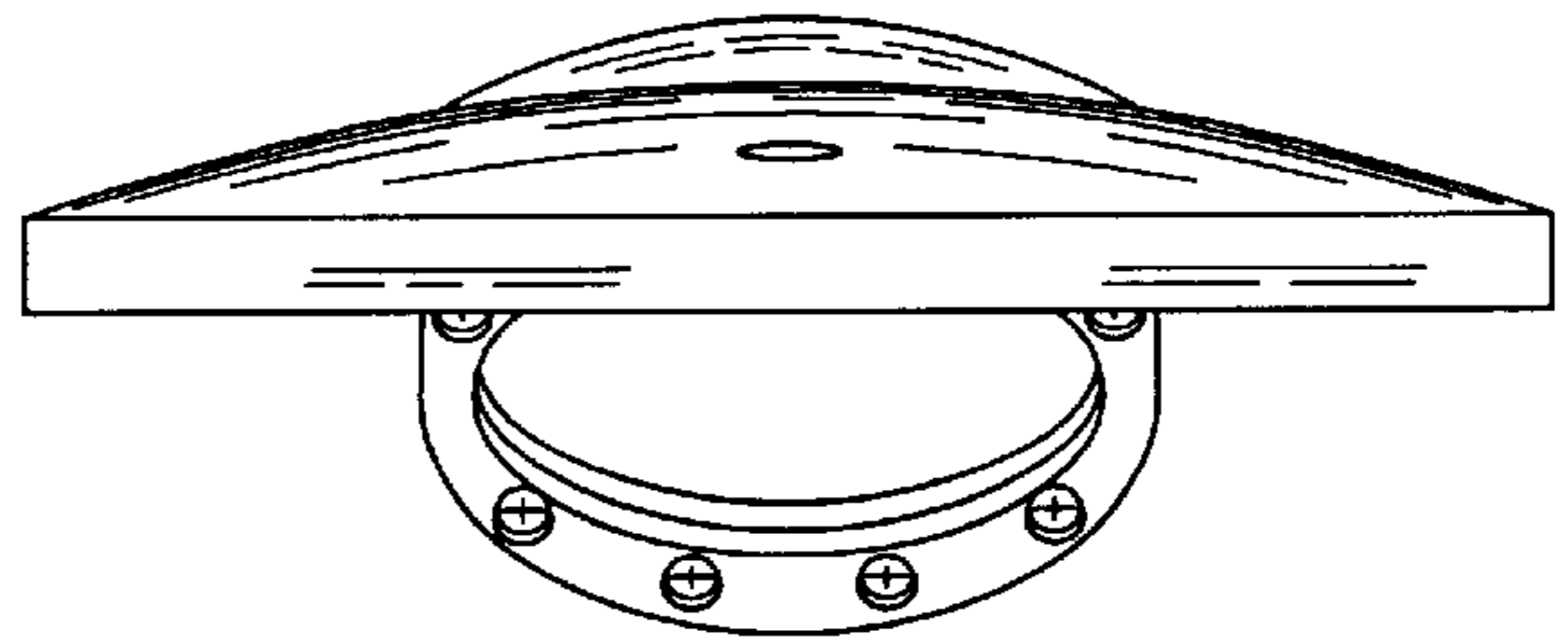


Fig. 6

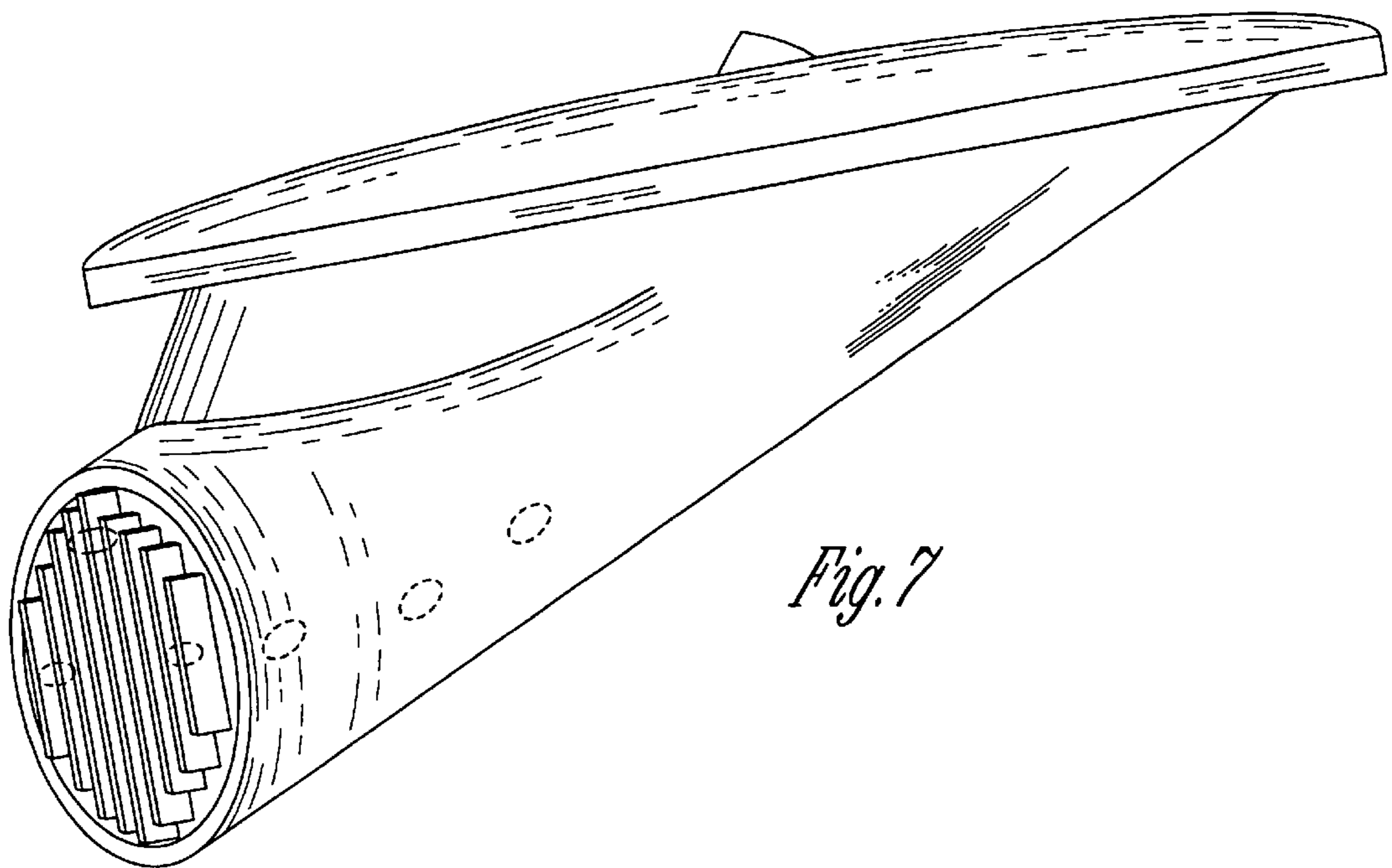


Fig. 7

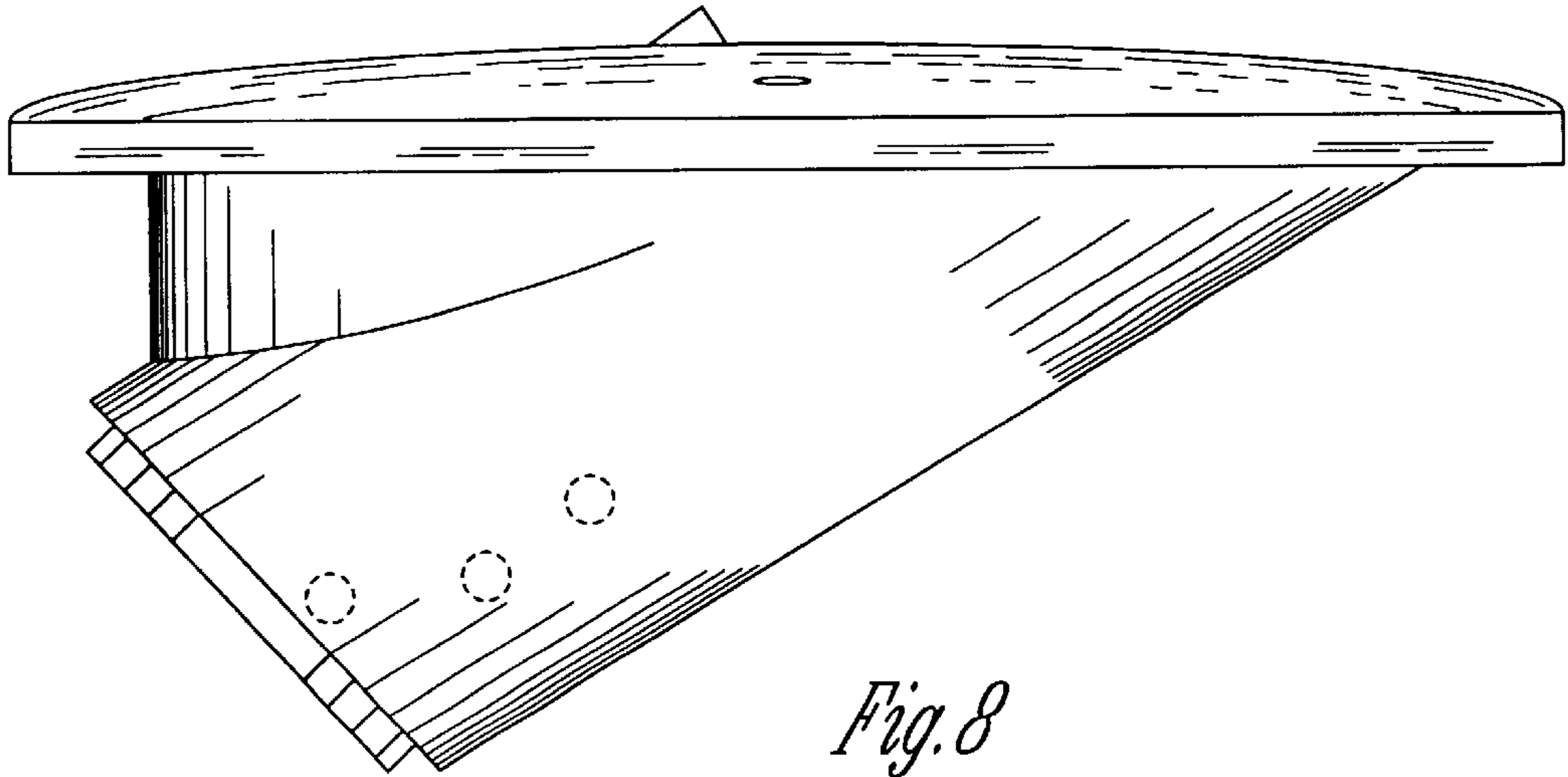


Fig. 8

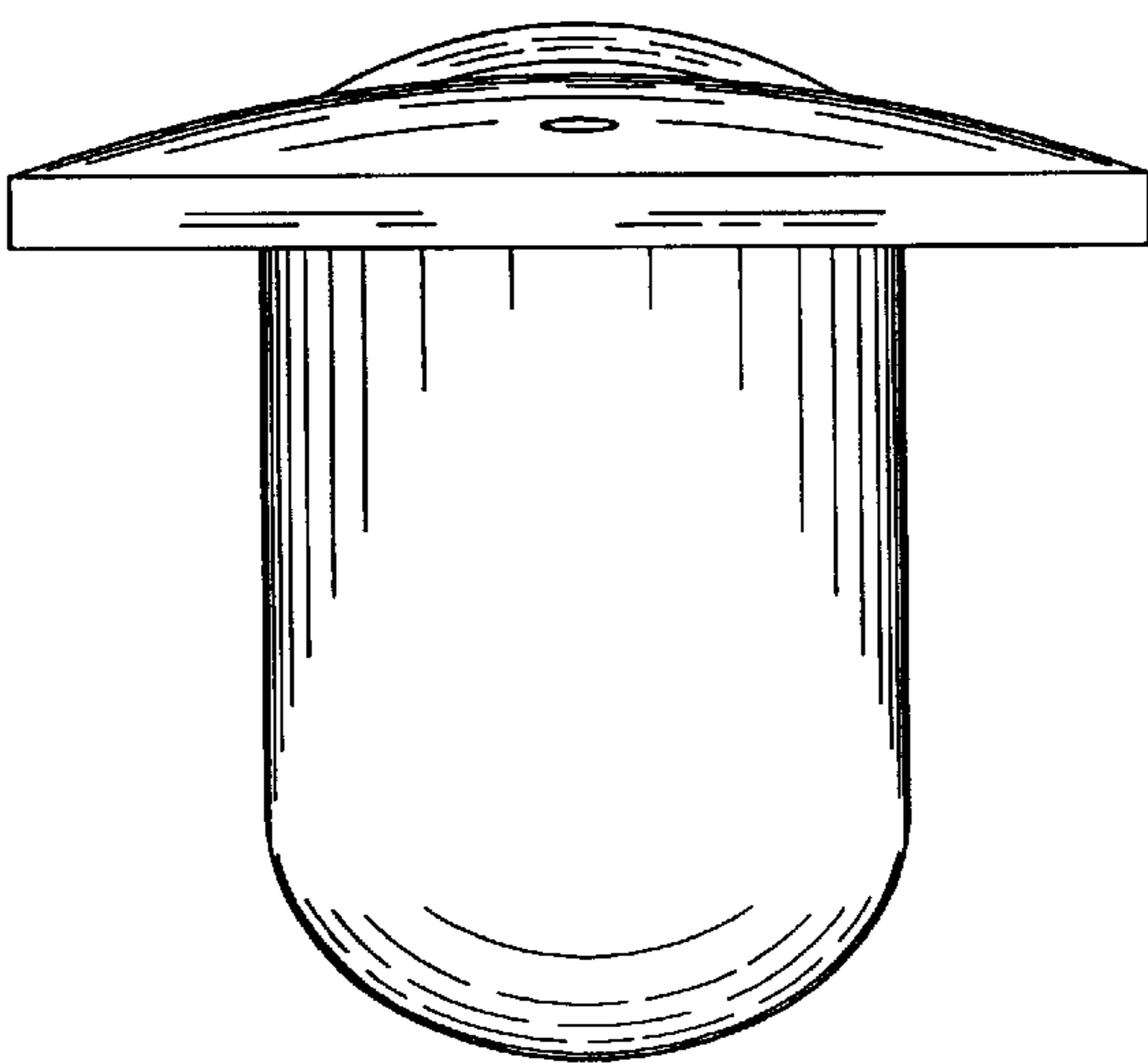


Fig. 9

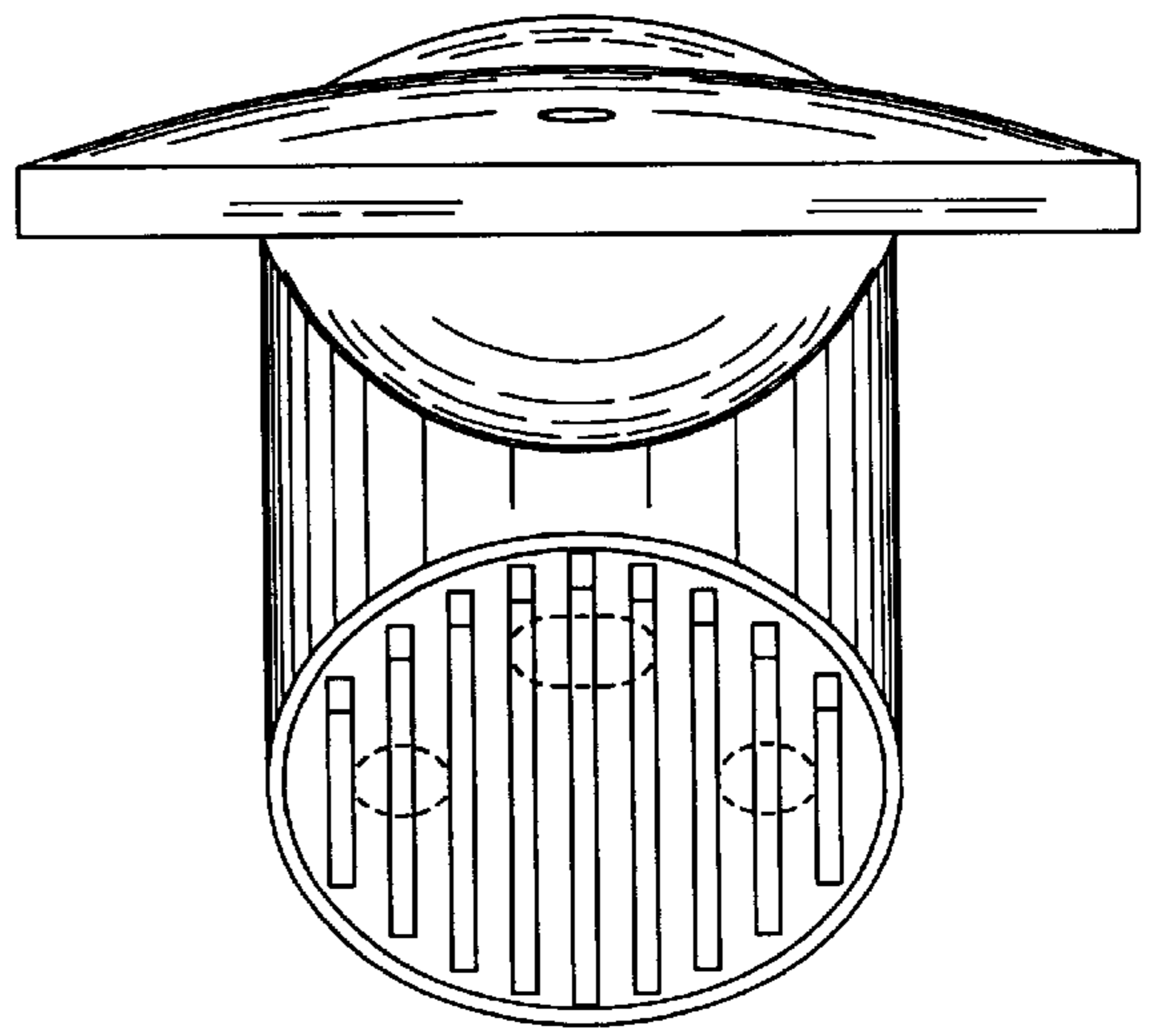


Fig. 10

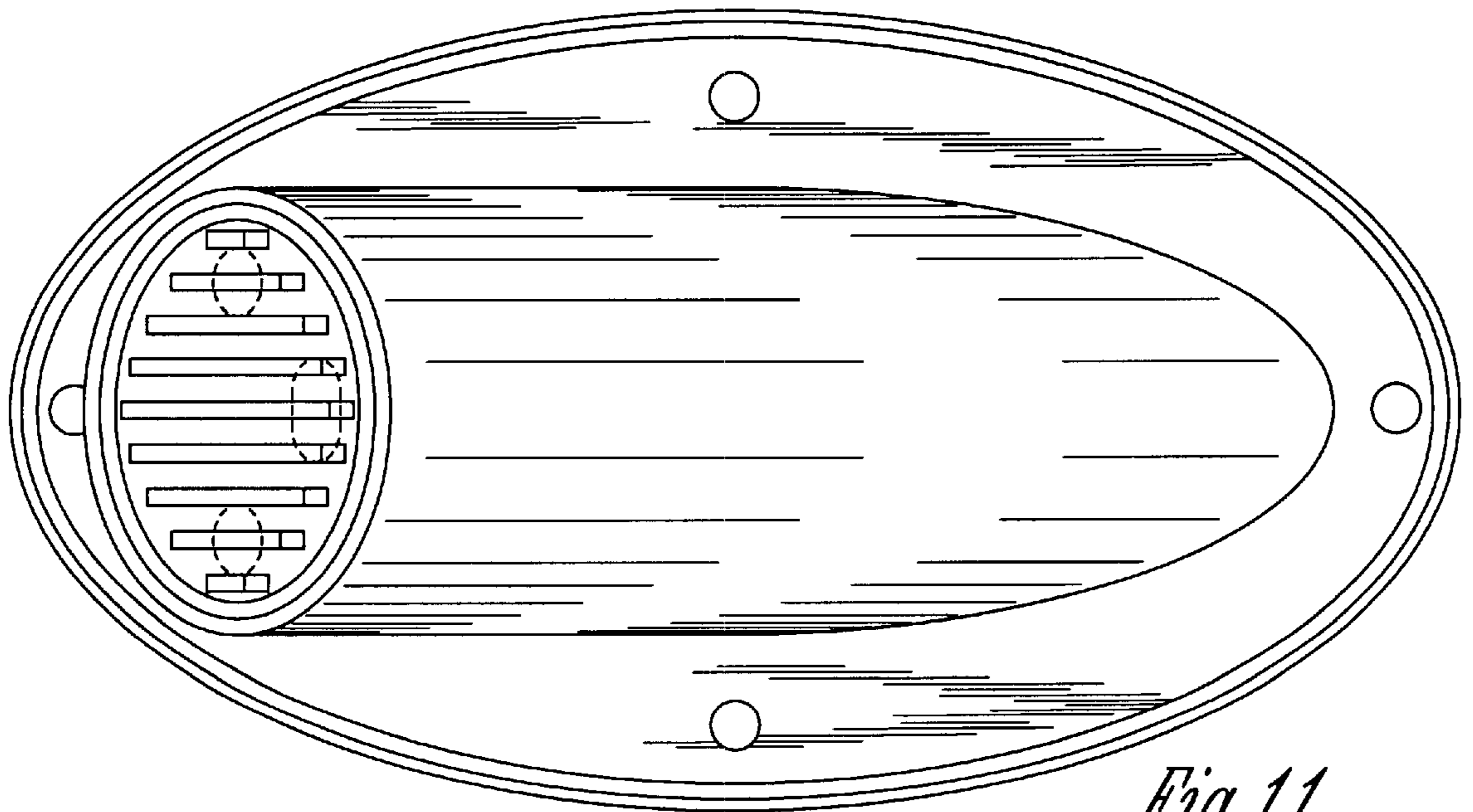


Fig. 11