



US00D472653S

(12) **United States Design Patent**  
**Northrop**

(10) **Patent No.:** **US D472,653 S**

(45) **Date of Patent:** **\*\* Apr. 1, 2003**

(54) **TIKI TORCH HELD BY AN ADJUSTABLE MOUNTING BRACKET**

(76) **Inventor:** **Mark L. Northrop**, 1345 SW. 28 Ave.,  
Deerfield Beach, FL (US) 33442

(\*\*) **Term:** **14 Years**

(21) **Appl. No.:** **29/164,233**

(22) **Filed:** **Jul. 19, 2002**

**Related U.S. Application Data**

(63) Continuation of application No. 09/515,945, filed on Feb. 29, 2000, now abandoned.

(51) **LOC (7) Cl.** ..... **26-02**

(52) **U.S. Cl.** ..... **D26/8**

(58) **Field of Search** ..... D26/8; 431/343,  
431/350; 248/291.1

(56) **References Cited**

**U.S. PATENT DOCUMENTS**

- 1,340,273 A 5/1920 Jones
- 1,664,658 A 4/1928 Blazer
- 2,653,002 A 9/1953 Passman

- 4,696,447 A 9/1987 Stecker
- 5,938,430 A 8/1999 Majerowski
- 5,947,431 A 9/1999 Kiggins
- 6,217,318 B1 \* 4/2001 Yeh ..... 431/343
- D450,140 S \* 11/2001 Donley ..... D26/8
- D456,541 S \* 4/2002 Yeh ..... D26/8

\* cited by examiner

*Primary Examiner*—Robin V. Taylor

(74) *Attorney, Agent, or Firm*—Ronald V. Davidge

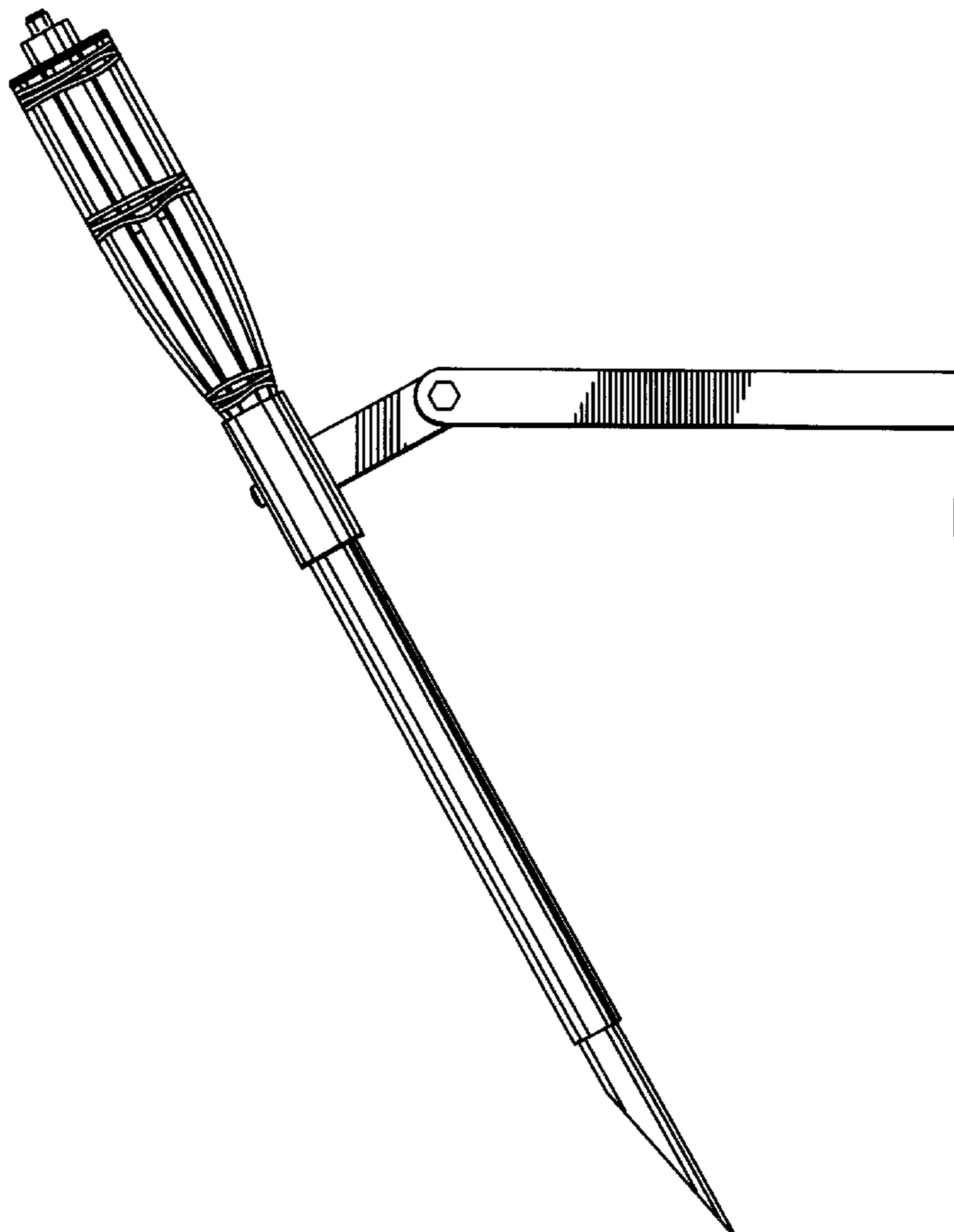
(57) **CLAIM**

The ornamental design for a tiki torch held by an adjustable mounting bracket, as shown and described.

**DESCRIPTION**

FIG. 1 is a right side elevation of the tiki torch held by an adjustable mounting bracket, showing my design;  
 FIG. 2 is a rear elevation thereof;  
 FIG. 3 is a front elevation thereof;  
 FIG. 4 is a left side elevation thereof;  
 FIG. 5 is a top plan view thereof;  
 FIG. 6 is a bottom plan view thereof; and,  
 FIG. 7 is a right side elevation thereof, showing the tiki torch held in an alternative position.

**1 Claim, 3 Drawing Sheets**



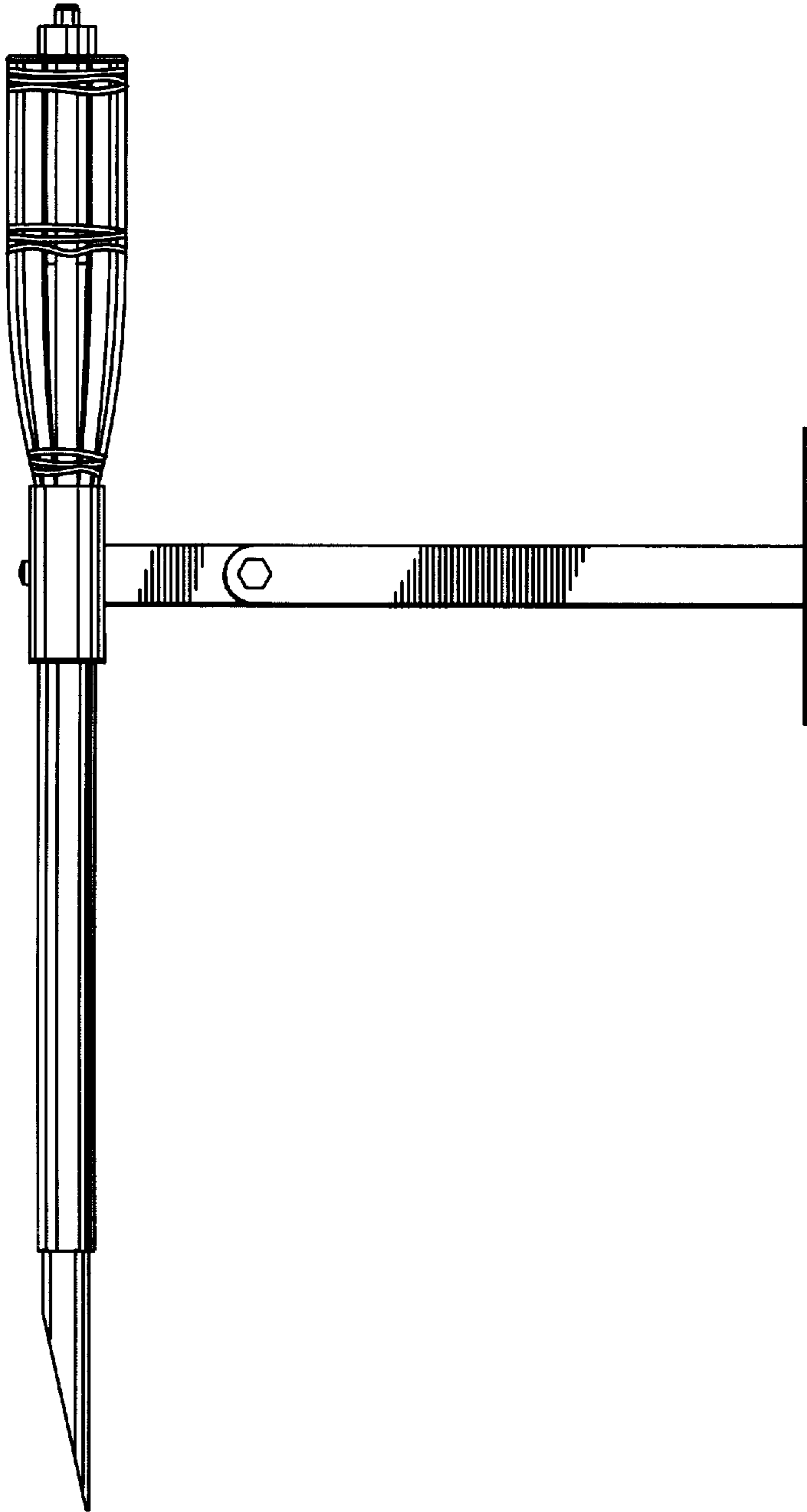


FIG. 1

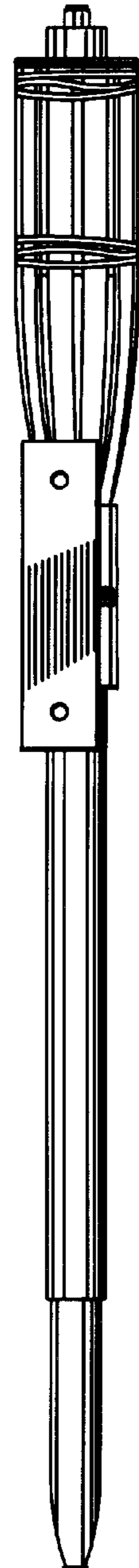


FIG. 2

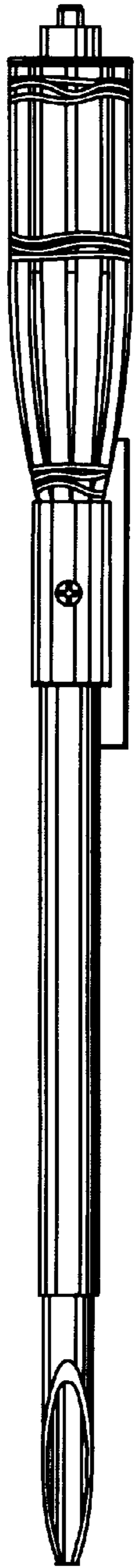


FIG. 3

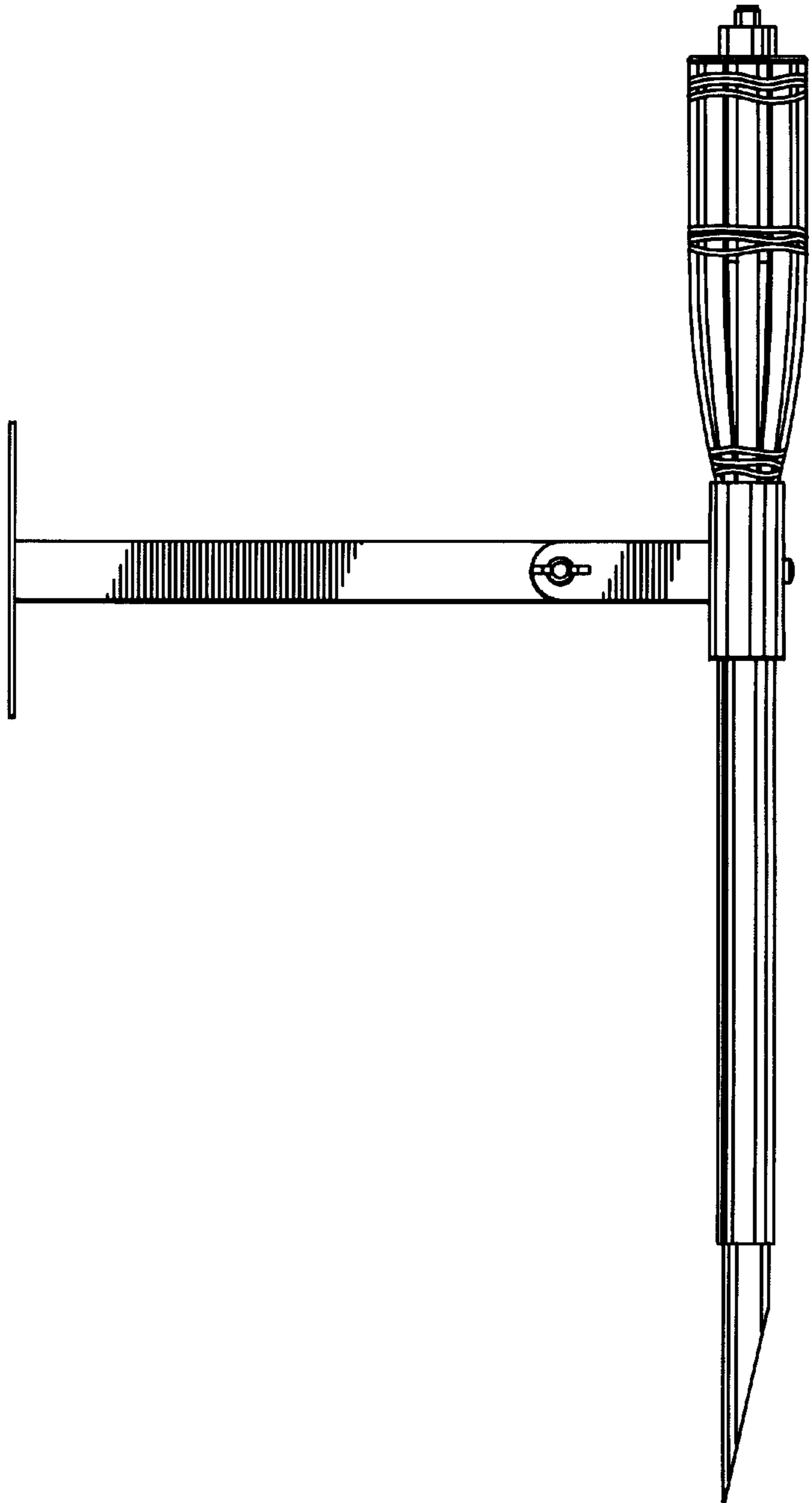


FIG. 4

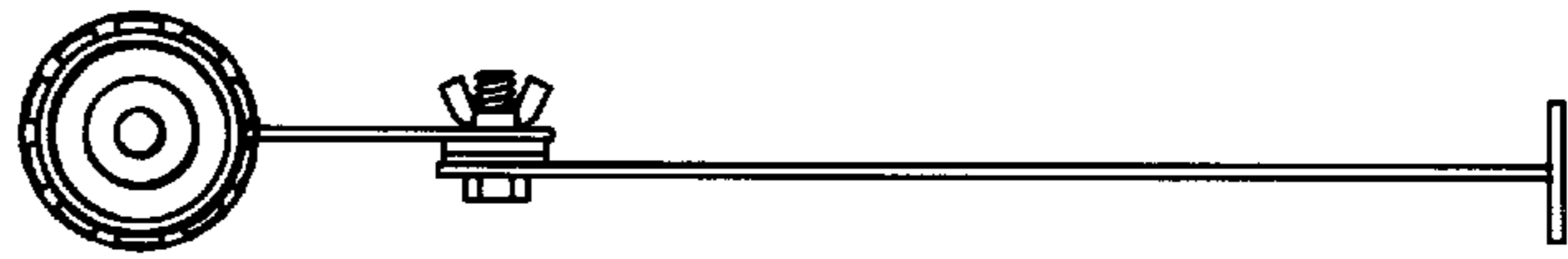


FIG. 5

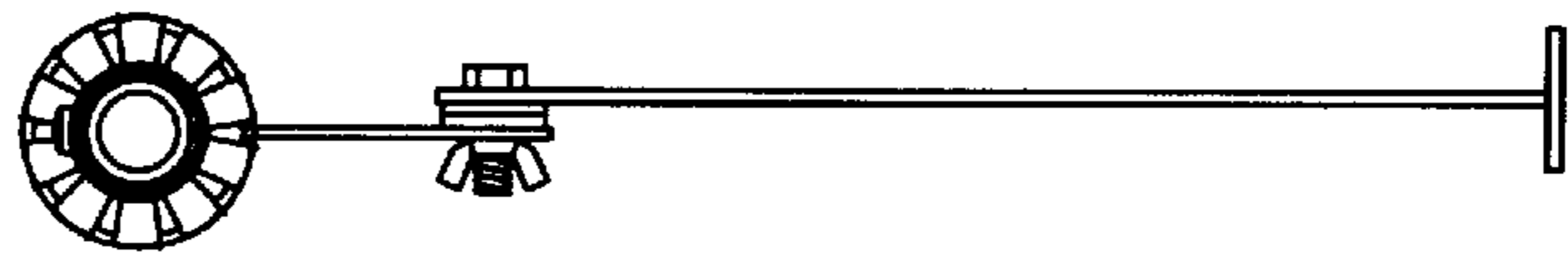


FIG. 6

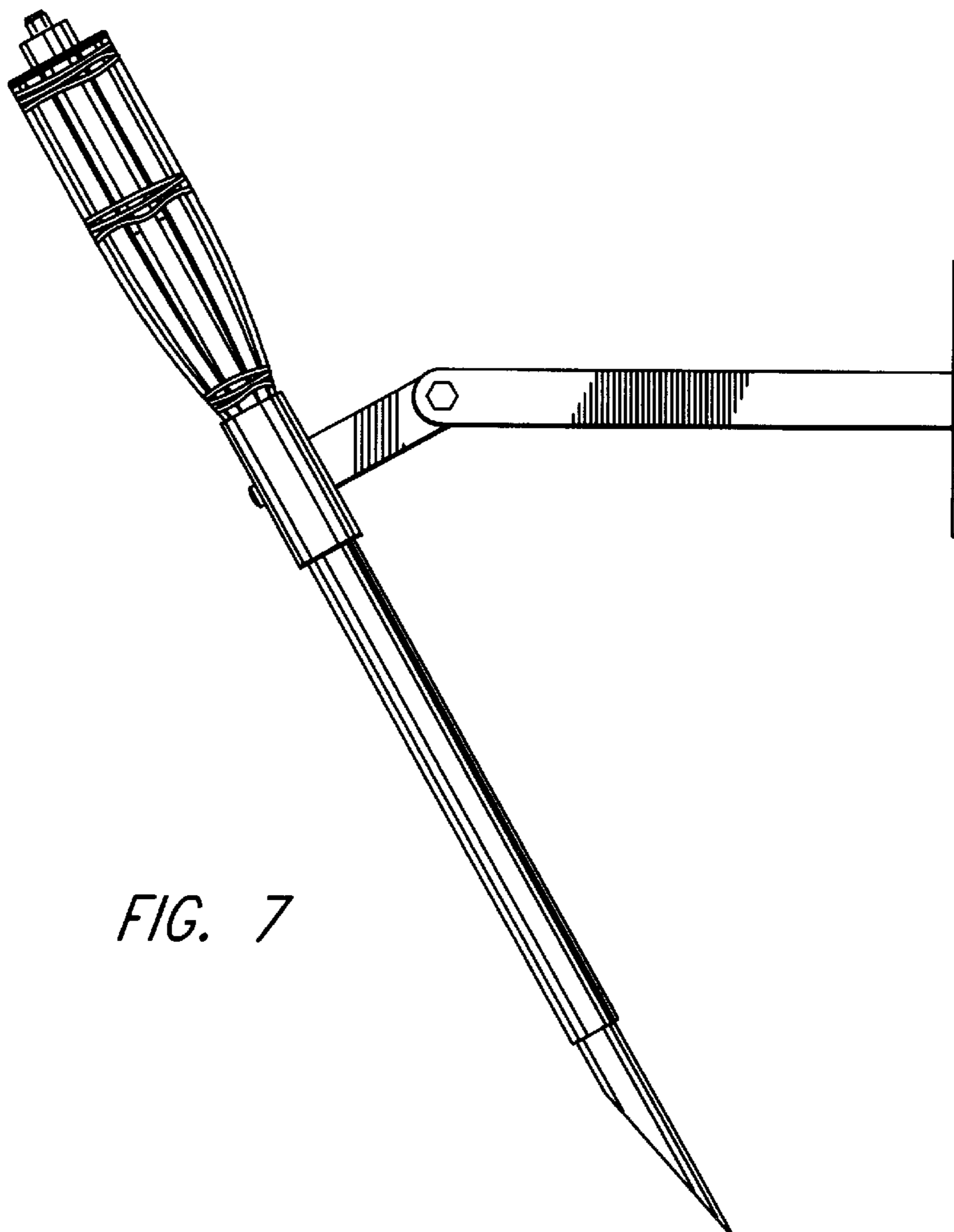


FIG. 7