



US00D472649S

(12) **United States Design Patent**  
**Fossaluzza**

(10) **Patent No.:** **US D472,649 S**

(45) **Date of Patent:** **\*\* Apr. 1, 2003**

(54) **GLASS LISTEL FOR INDOOR DECORATION**

D311,975 S \* 11/1990 Hackeslberger ..... D25/103

(75) Inventor: **Claudio Fossaluzza**, Mogliano Veneto (IT)

\* cited by examiner

(73) Assignee: **Ceramgres S.r.l.**, Carbonera (IT)

*Primary Examiner*—Doris Clark

(74) *Attorney, Agent, or Firm*—Ladas & Parry

(\*\*) Term: **14 Years**

(57) **CLAIM**

(21) Appl. No.: **29/149,371**

The ornamental design for glass listel for indoor decoration, substantially as shown and described.

(22) Filed: **Oct. 9, 2001**

(30) **Foreign Application Priority Data**

**DESCRIPTION**

Apr. 6, 2001 (DE) ..... BO0100015

(51) **LOC (7) Cl.** ..... **25-01**

FIG. 1 is a top perspective view of a glass listel for indoor decoration showing my new design;

(52) **U.S. Cl.** ..... **D25/103**

FIG. 2 is an end perspective view thereof;

(58) **Field of Search** ..... D25/103, 109;  
52/306, 307, 308

FIG. 3 is a top perspective view of a second embodiment of a glass listel for indoor decoration; and,

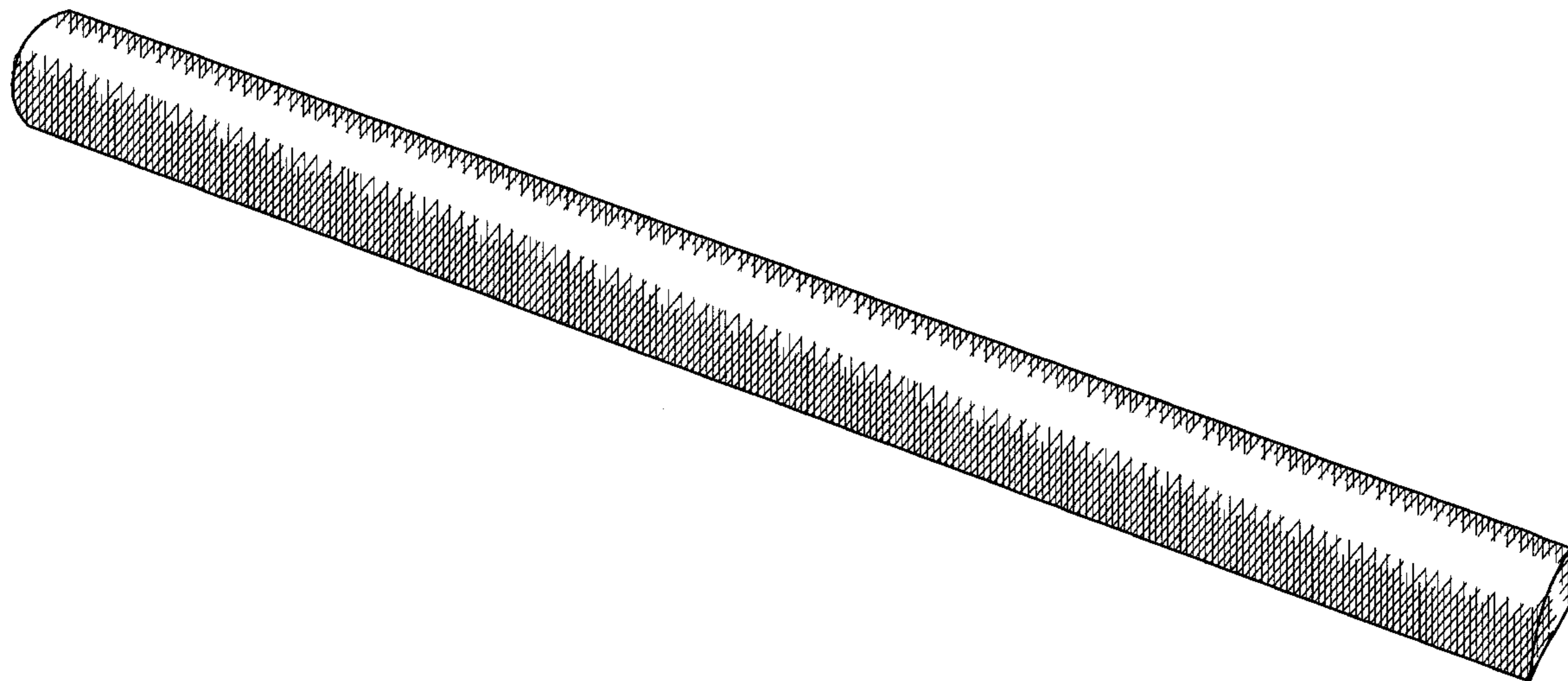
(56) **References Cited**

FIG. 4 is an end perspective view thereof.

**U.S. PATENT DOCUMENTS**

1,729,818 A \* 10/1929 Burgess ..... 52/308

**1 Claim, 2 Drawing Sheets**



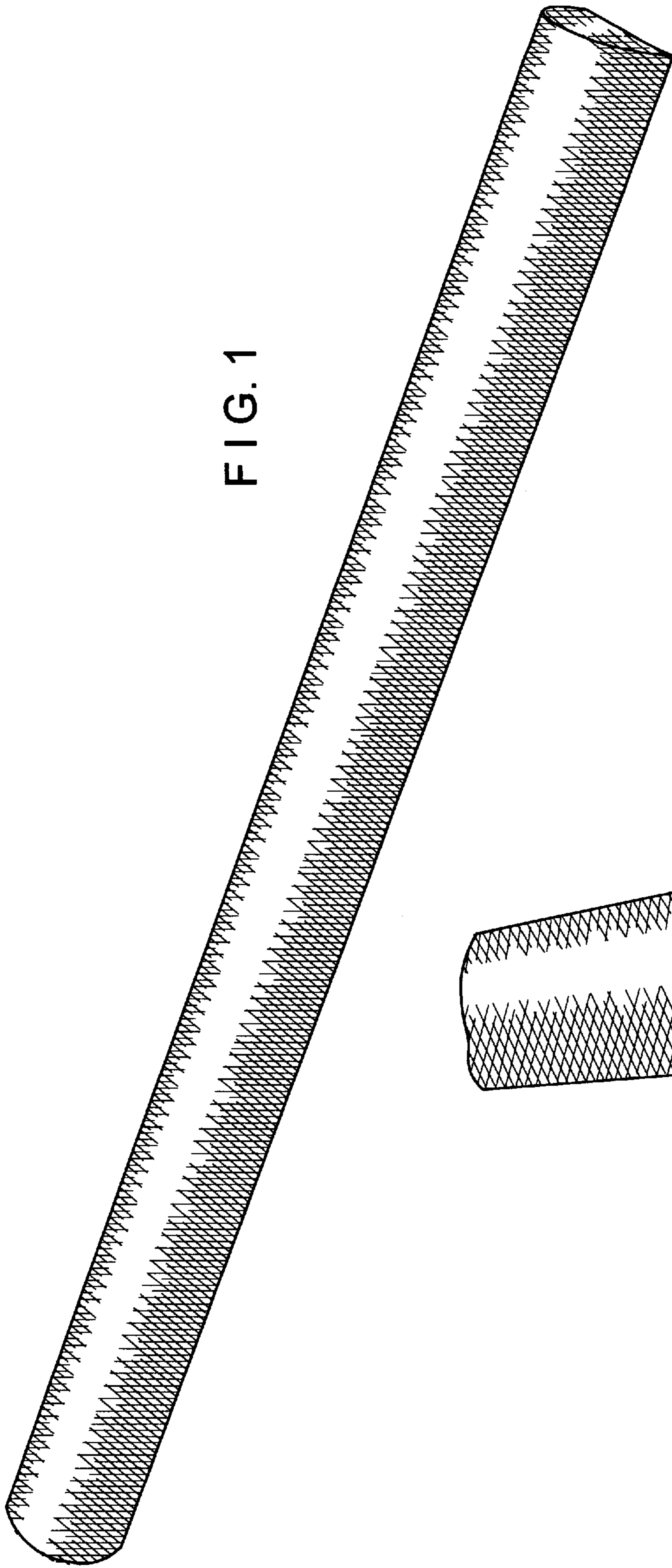


FIG. 1

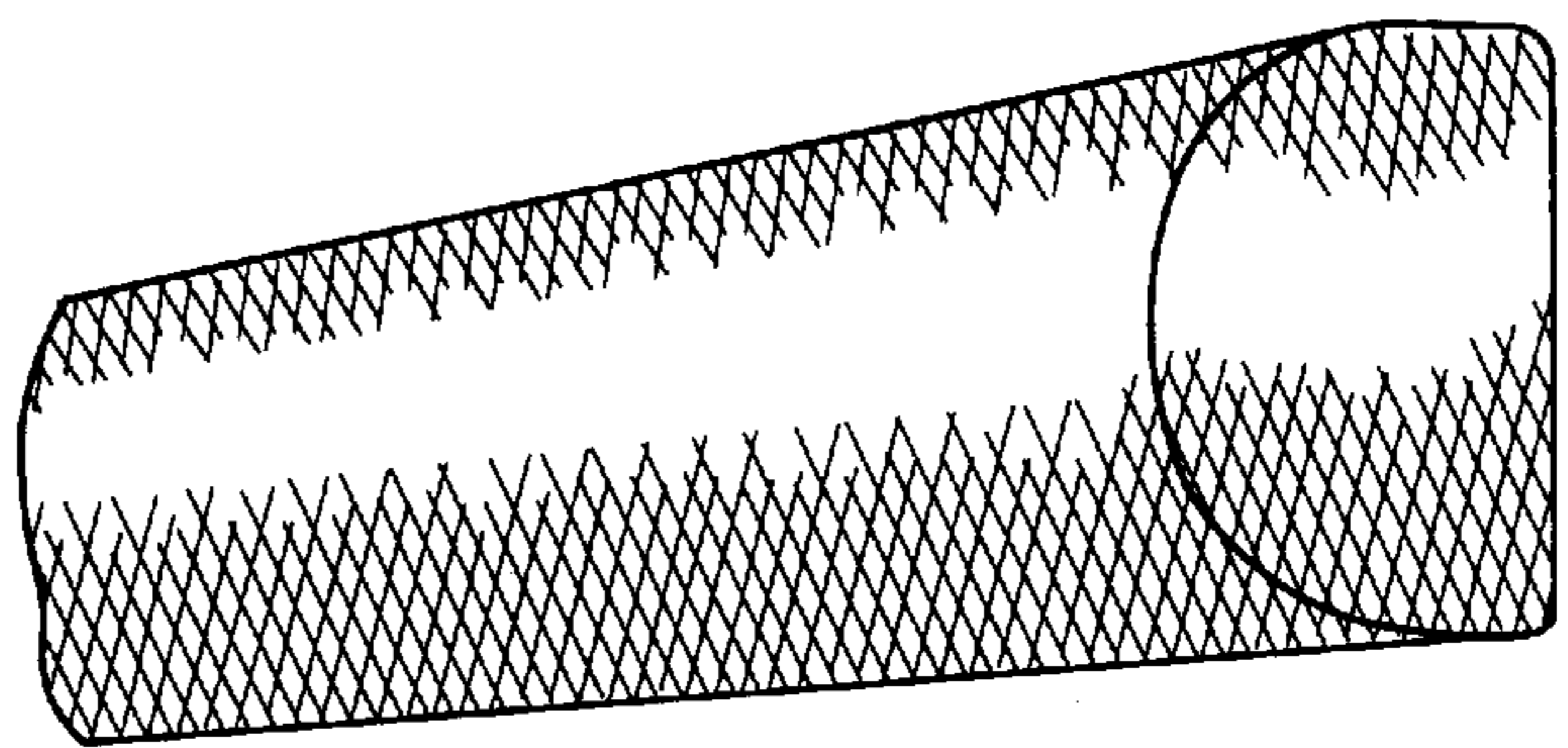


FIG. 2

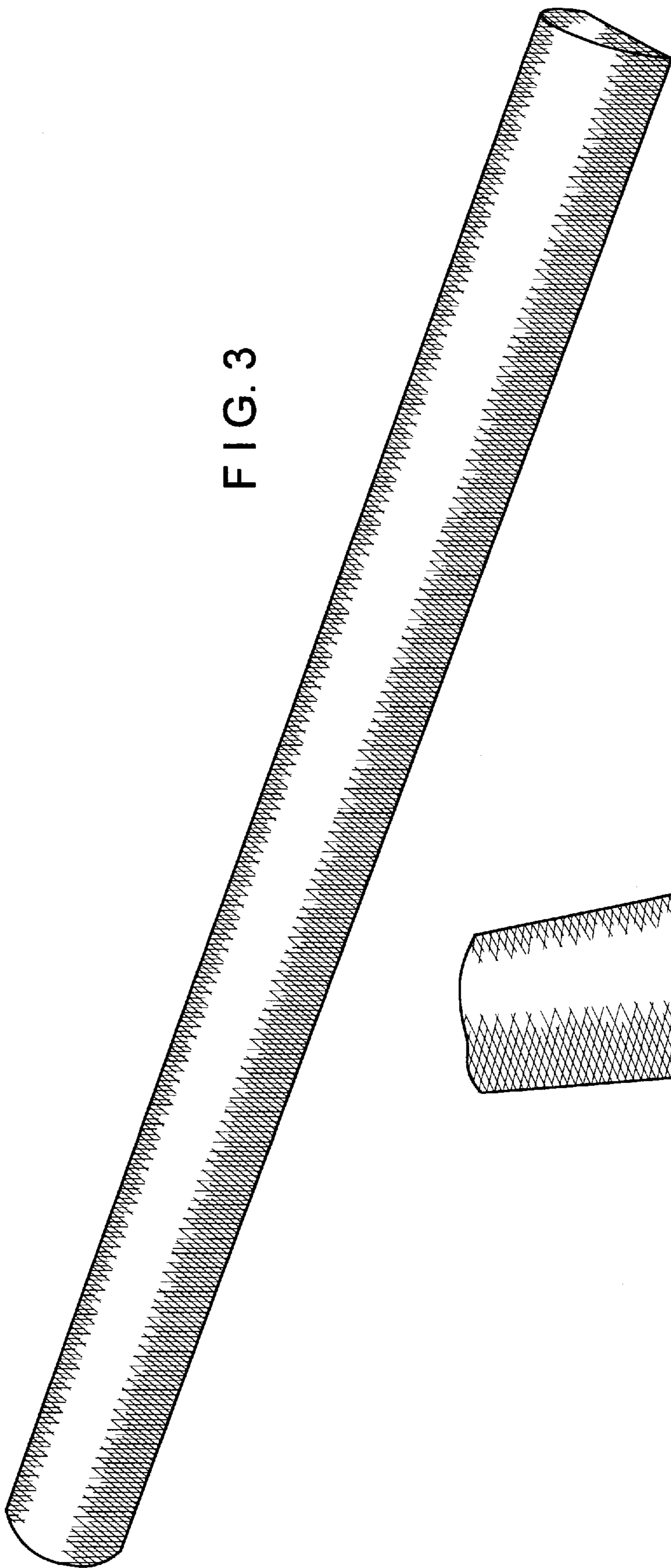


FIG. 3

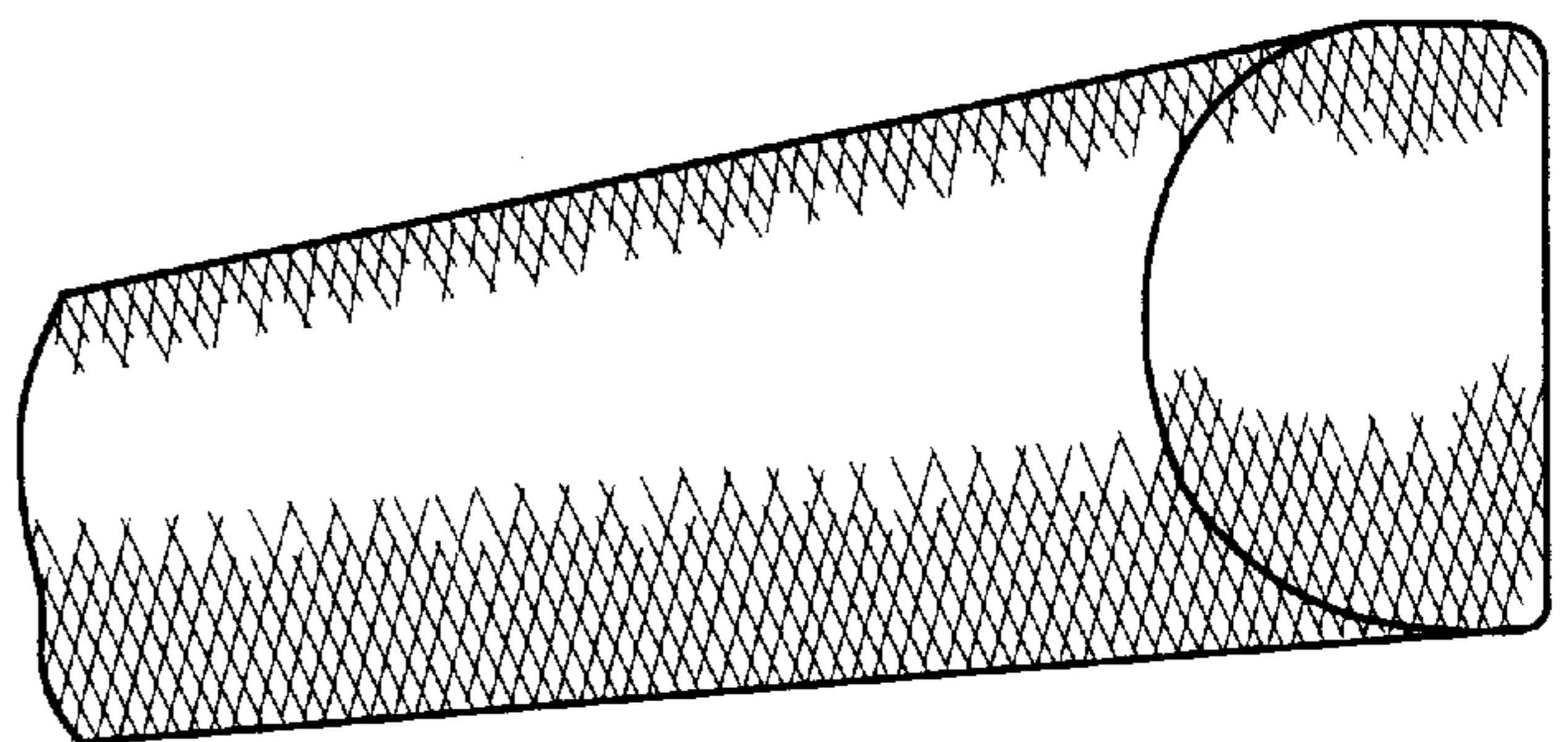


FIG. 4

UNITED STATES PATENT AND TRADEMARK OFFICE  
**CERTIFICATE OF CORRECTION**

PATENT NO. : Des. 472,649 S  
DATED : April 1, 2003  
INVENTOR(S) : Claudio Fossaluzza

Page 1 of 1

It is certified that error appears in the above-identified patent and that said Letters Patent is hereby corrected as shown below:

Title page,

Item [30], **Foreign Application Priority Data**, "DE" should read -- IT --.

Signed and Sealed this

Tenth Day of June, 2003

A handwritten signature in black ink, appearing to read "James E. Rogan", written over a horizontal line.

JAMES E. ROGAN

*Director of the United States Patent and Trademark Office*