



US00D472646S

(12) **United States Design Patent**
Miller

(10) **Patent No.:** **US D472,646 S**

(45) **Date of Patent:** **** Apr. 1, 2003**

(54) **ROAD SYSTEM**

(76) Inventor: **N. Craig Miller**, 8676 Vista Del Boca Dr., Boca Raton, FL (US) 33433

(**) Term: **14 Years**

(21) Appl. No.: **29/143,524**

(22) Filed: **Jun. 15, 2001**

Related U.S. Application Data

(60) Continuation-in-part of application No. 29/137,857, filed on Apr. 27, 2000, which is a division of application No. 29/079,012, filed on Nov. 6, 1997, now Pat. No. Des. 428,998.

(51) **LOC (7) Cl.** **25-03**

(52) **U.S. Cl.** **D25/1**

(58) **Field of Search** D25/1; 404/1; 340/933, 928

(56) **References Cited**

U.S. PATENT DOCUMENTS

3,107,590	A	10/1963	Cedeno
3,794,966	A	2/1974	Platzman
4,665,395	A	5/1987	Van Ness
5,101,200	A	3/1992	Swett
5,144,553	A	9/1992	Hassett et al.
5,154,533	A	10/1992	Baldea
5,204,675	A	4/1993	Sekine
5,246,305	A	9/1993	Peek
5,253,951	A	10/1993	Peek

OTHER PUBLICATIONS

“Traffic Engineering”, Technical Newsletter, May 1991.
“New Technology Makes Coronado Bridge Safer”, Information Release, May 21, 1993.

Jeff Benjamin, “Lane Divider A Moveable Feat”, News, 1992.

Primary Examiner—Doris Clark

(74) *Attorney, Agent, or Firm*—Frank J. Benasutti

(57) **CLAIM**

I claim the ornamental design of a road system, as shown and described.

DESCRIPTION

FIG. 1 is a perspective view of a road system showing my new design;

FIG. 2 is a perspective view of a second embodiment of a road system;

FIG. 3 is a perspective view of a third embodiment of a road system;

FIG. 4 is a perspective view of a fourth embodiment of a road system;

FIG. 5 is a perspective view of a fifth embodiment of a road system;

FIG. 6 is a perspective view of a sixth embodiment of a road system;

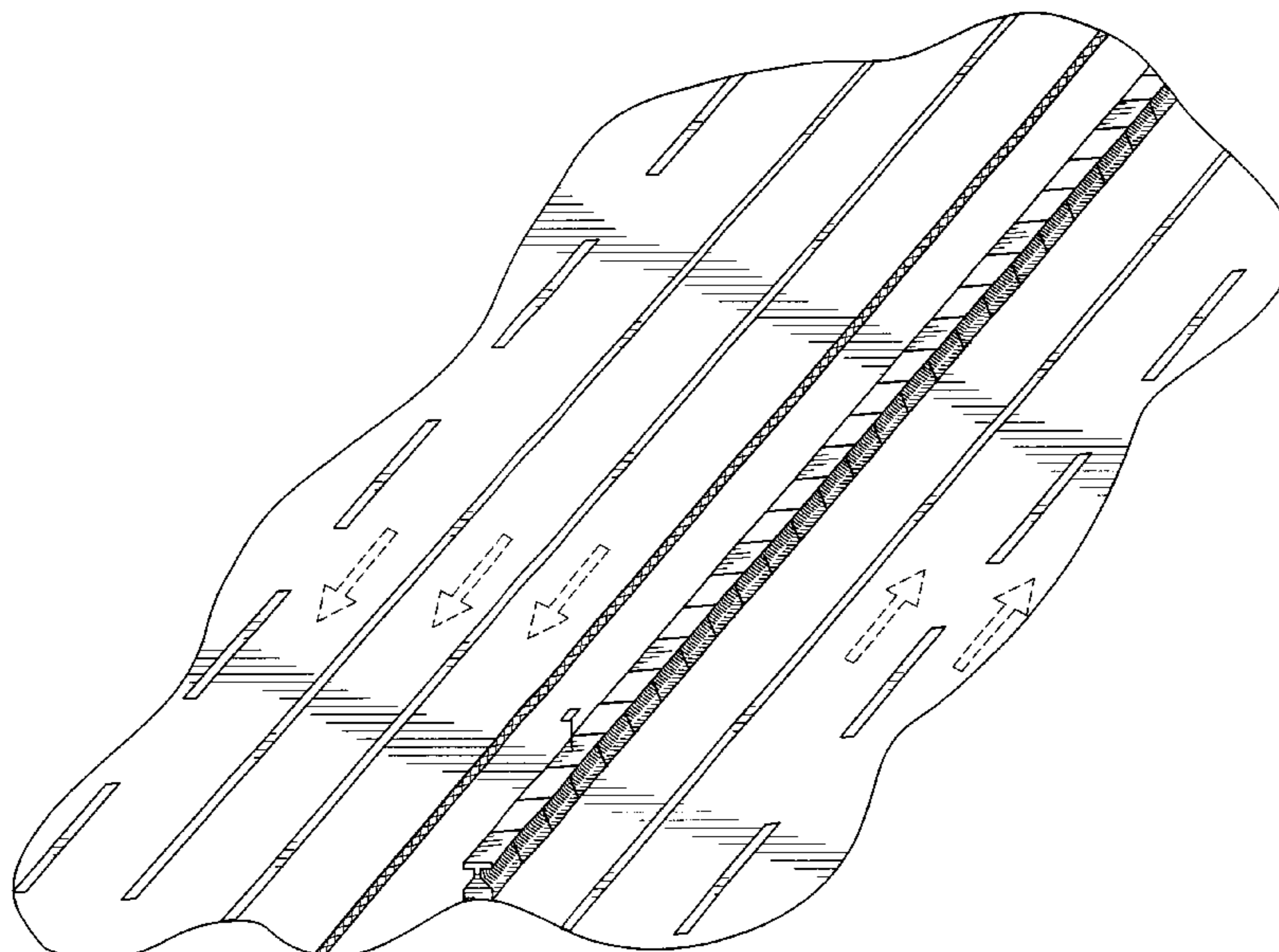
FIG. 7 is a perspective view of a seventh embodiment of a road system; and,

FIG. 8 is a perspective view of an eighth embodiment of a road system.

The road system is shown fragmented throughout the views to indicate that the pattern is repetitive as illustrated in the drawing.

The broken lines are for illustrative purposes only and form no part of the claimed design.

1 Claim, 8 Drawing Sheets



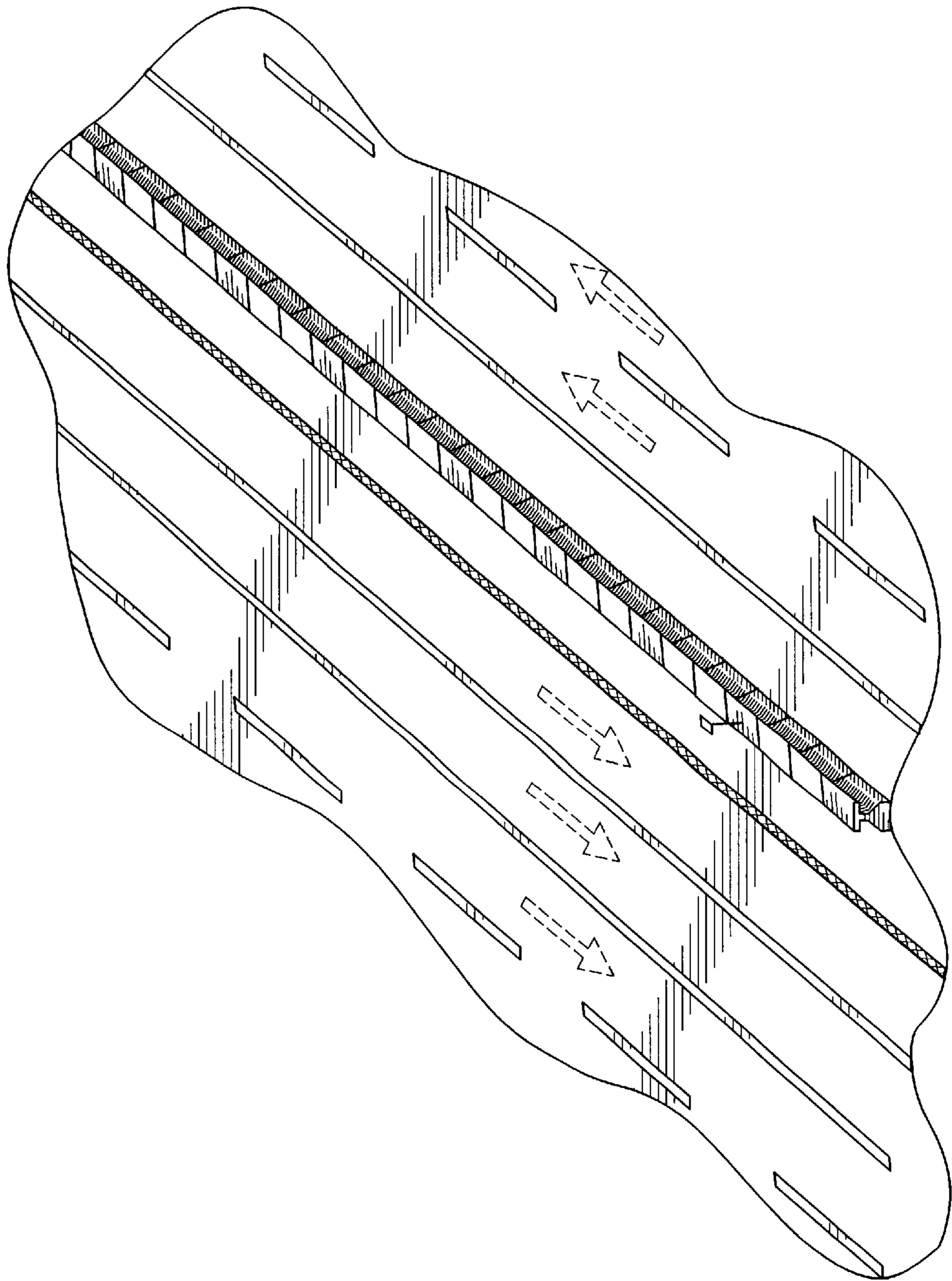


FIG.1

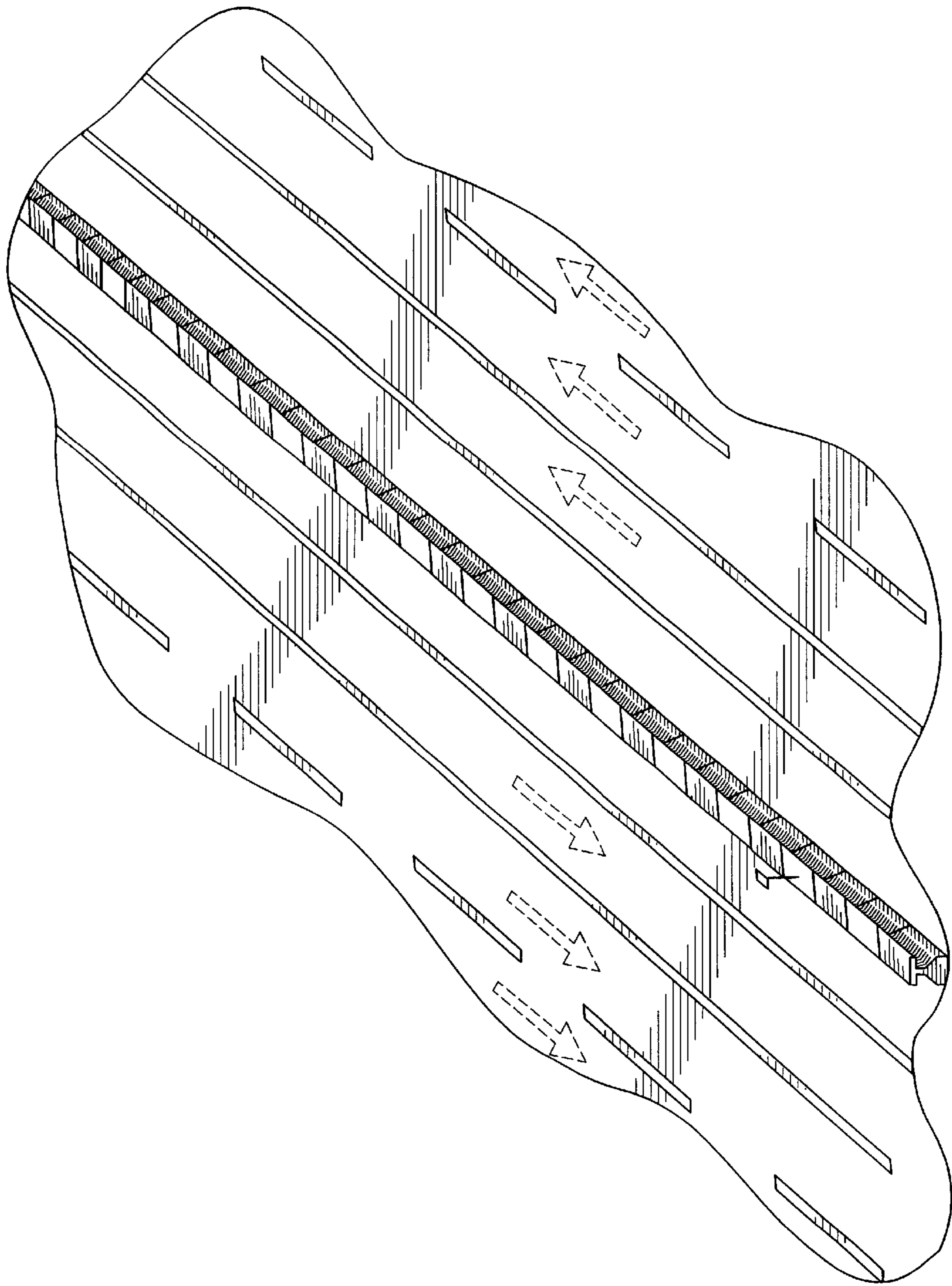


FIG.2

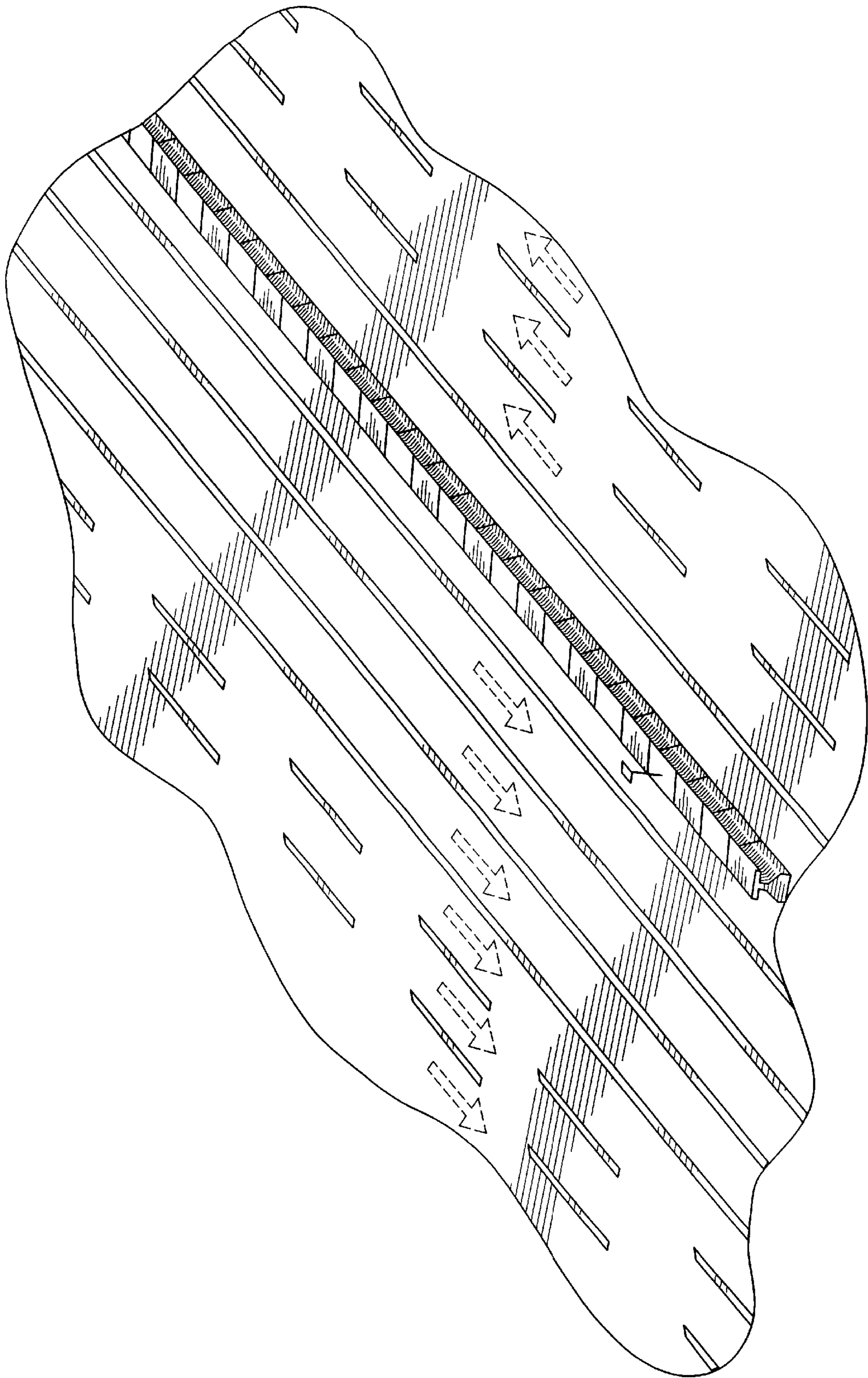


FIG.3

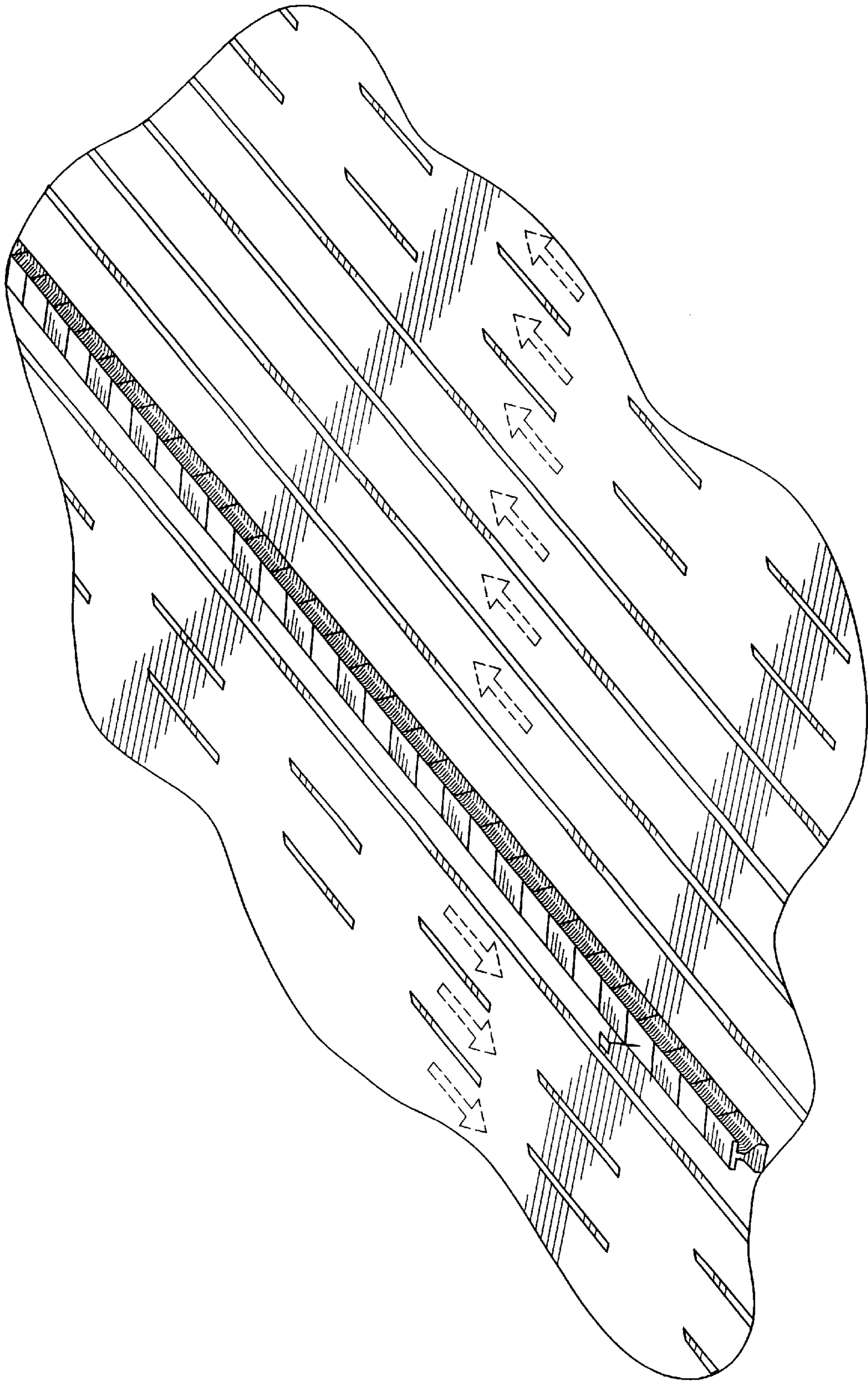


FIG.4

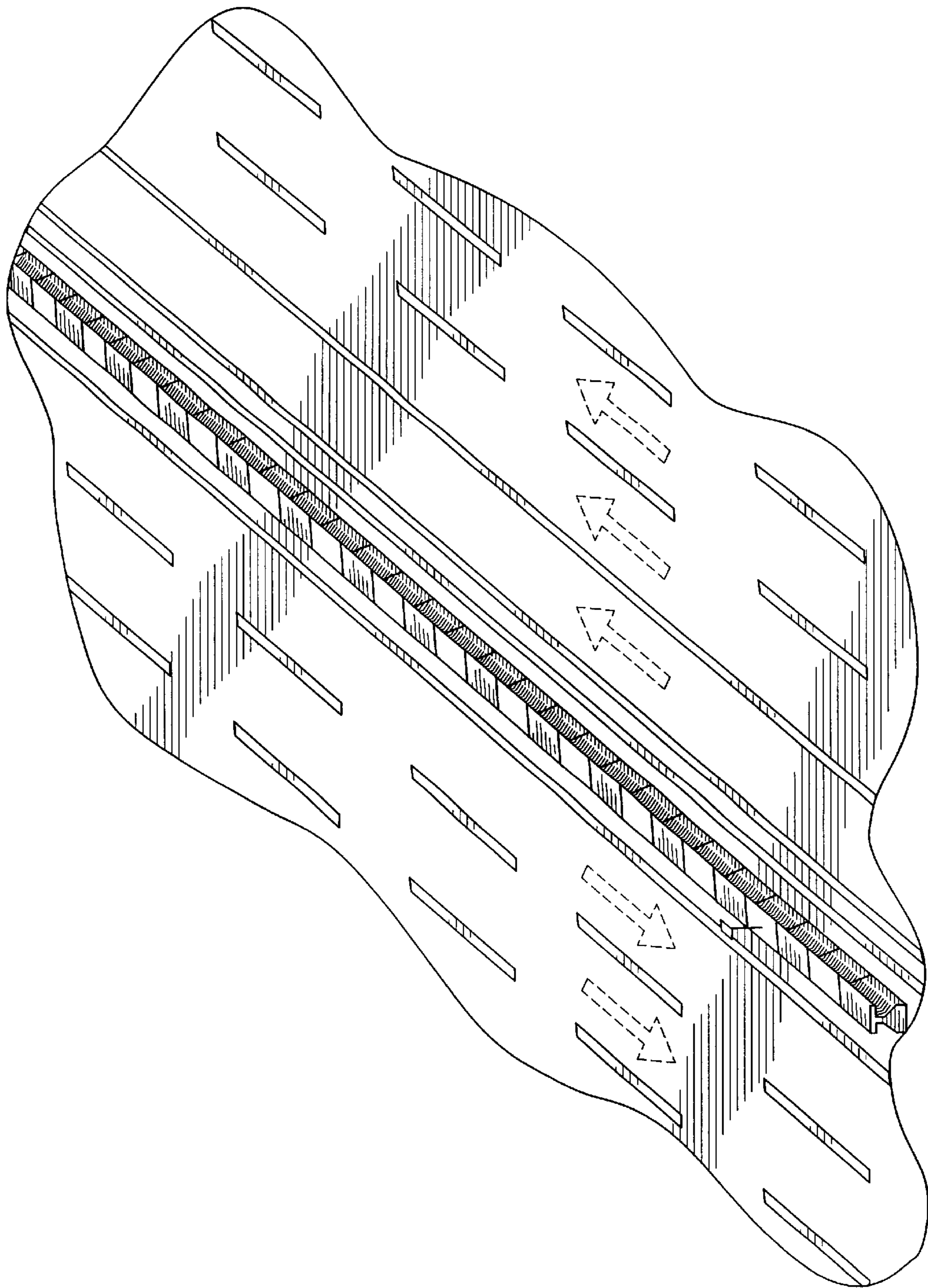


FIG.5

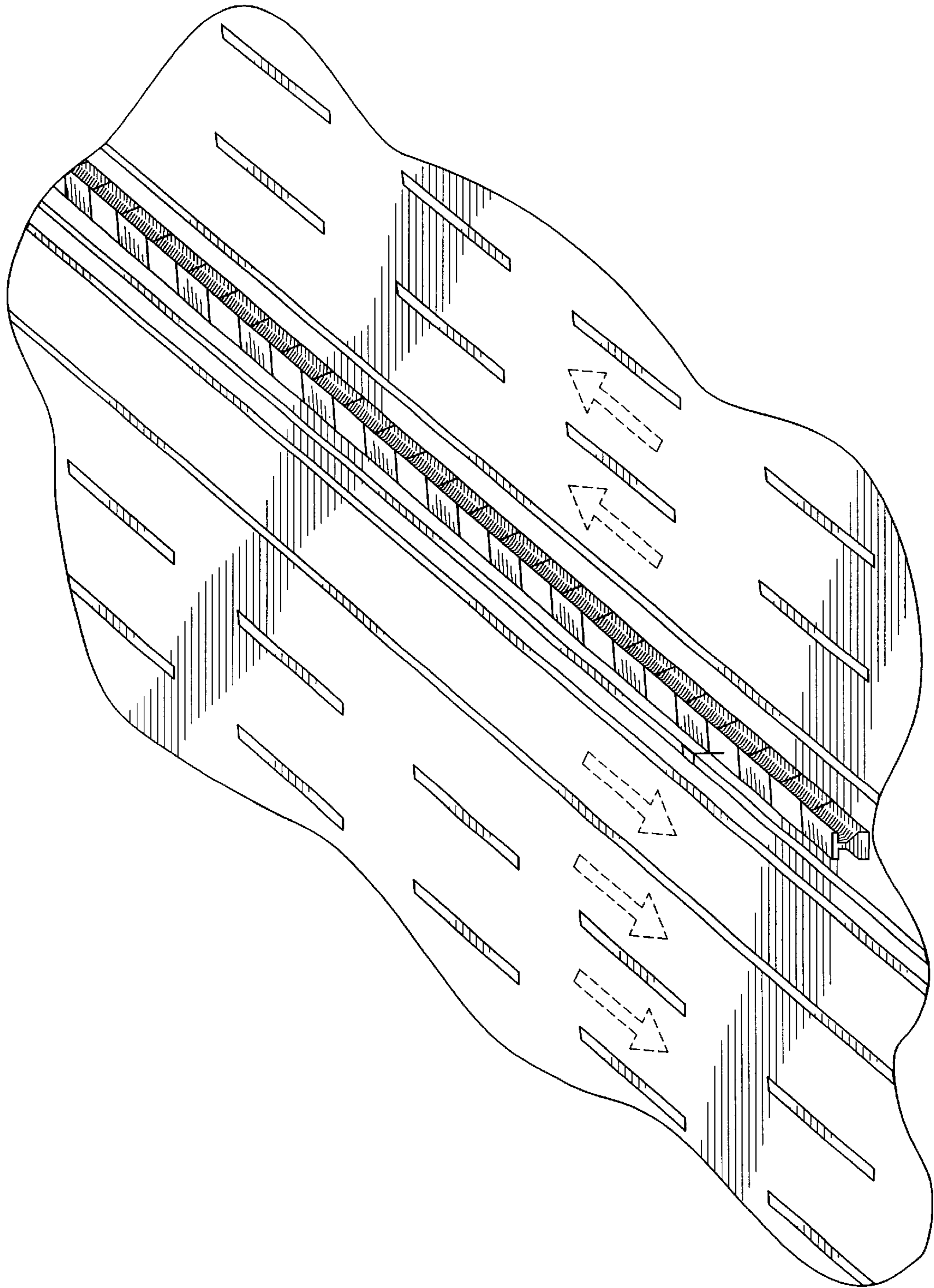


FIG.6

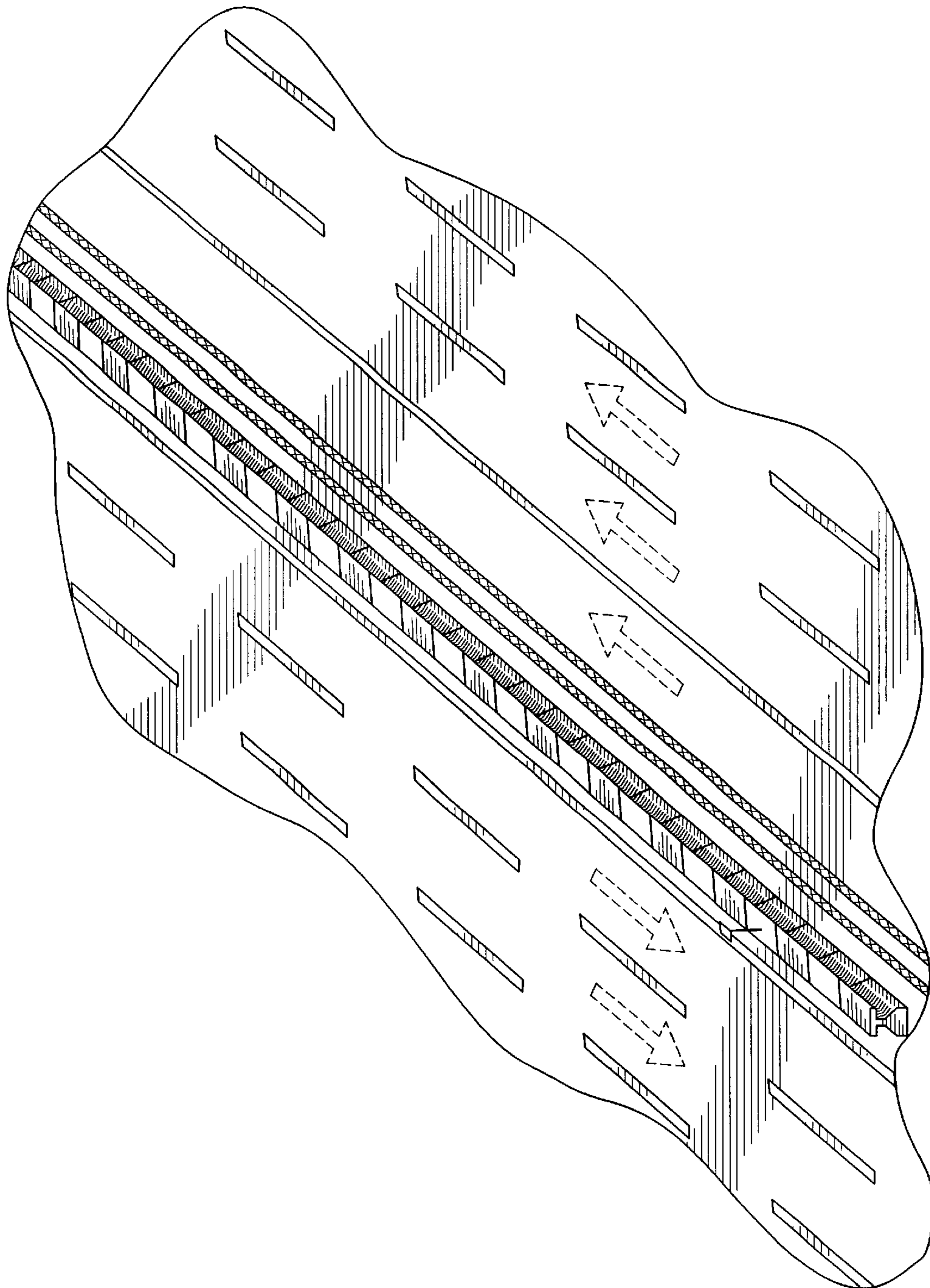


FIG.7

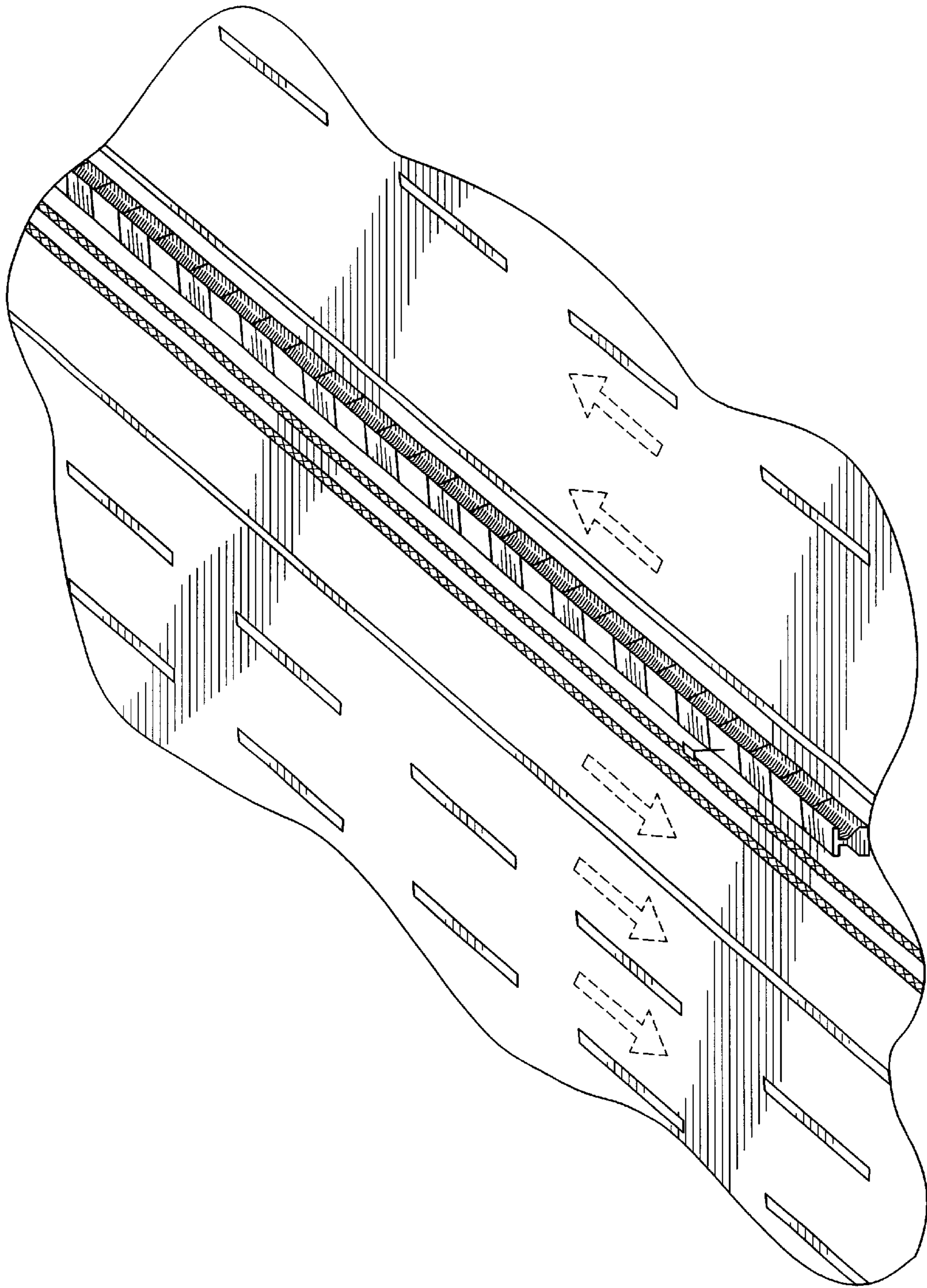


FIG.8