



US00D472644S

(12) **United States Design Patent** (10) **Patent No.:** **US D472,644 S**  
**Dawson et al.** (45) **Date of Patent:** **\*\* Apr. 1, 2003**

(54) **CHIP CARRIER FOR BIOSENSOR APPARATUS**

(75) Inventors: **Stefan Dawson**, Uppsala (SE); **Stefan Sjölander**, Uppsala (SE)

(73) Assignee: **Biacore AB**, Uppsala (SE)

(\*\*) Term: **14 Years**

(21) Appl. No.: **29/150,447**

(22) Filed: **Nov. 15, 2001**

(30) **Foreign Application Priority Data**

May 16, 2001 (SE) ..... 01-0869

(51) **LOC (7) Cl.** ..... **24-02**

(52) **U.S. Cl.** ..... **D24/216; D24/225; D24/232**

(58) **Field of Search** ..... **D24/216, 224, D24/225, 227, 232, 231; D10/81; 204/193, 403.01, 403.02, 403.03, 409; 422/58, 61, 56, 102**

(56) **References Cited**

**U.S. PATENT DOCUMENTS**

D331,806 S	12/1992	Södergren	.....	D24/224
D331,807 S	12/1992	Södergren	.....	D24/224
5,887,716 A *	3/1999	Williams et al.	.....	206/459.1
5,997,817 A *	12/1999	Crismore et al.	.....	204/403.1
6,379,513 B1 *	4/2002	Chambers et al.	.....	204/403.02
6,447,657 B1 *	9/2002	Bhullar et al.	.....	204/409

\* cited by examiner

*Primary Examiner*—Ian Simmons

(74) *Attorney, Agent, or Firm*—Seed IP Law Group PLLC

(57) **CLAIM**

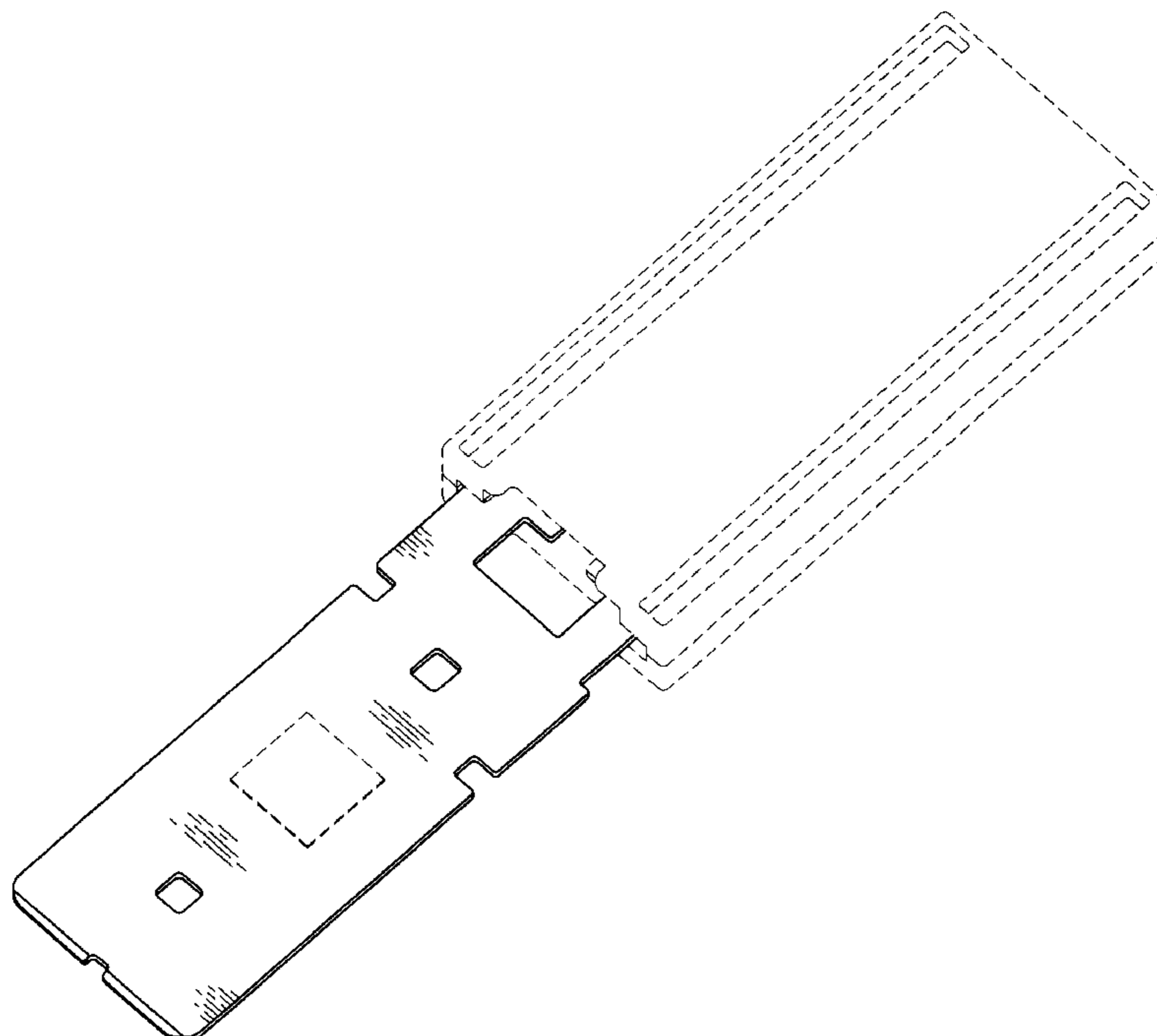
The ornamental design of a chip carrier for biosensor apparatus, as shown and described.

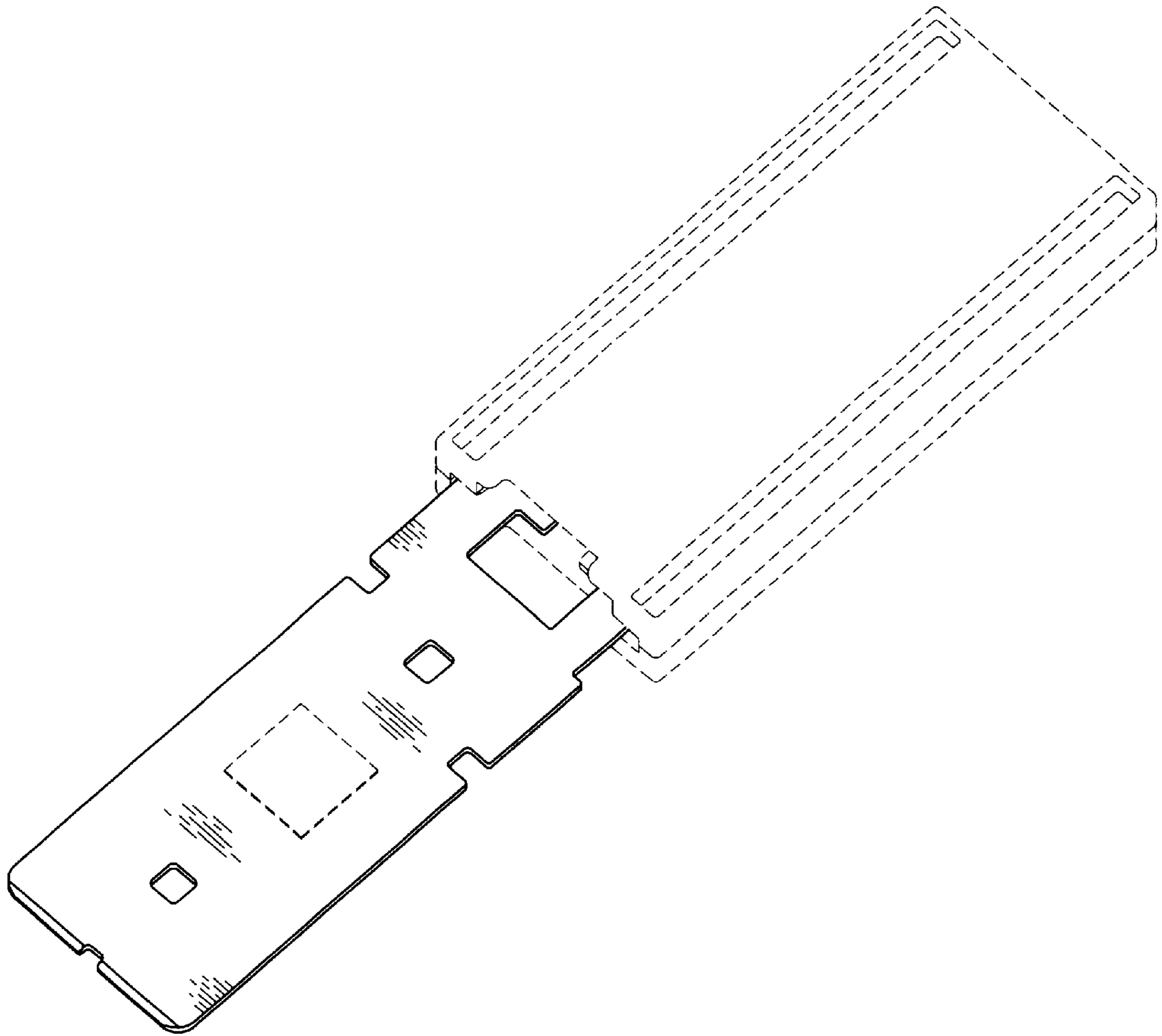
**DESCRIPTION**

FIG. 1 is a top isometric view of a chip carrier for biosensor apparatus showing our new design, with the carrier shown projecting from the cover of a measuring cassette; FIG. 2 is a bottom isometric view thereof; FIG. 3 is a top isometric view thereof, with the carrier shown within the cover of a measuring cassette; FIG. 4 is a bottom isometric view thereof; FIG. 5 is a top isometric view thereof, shown carrying a chip; FIG. 6 is a bottom isometric view thereof; FIG. 7 is an end view thereof; FIG. 8 is a bottom plan view thereof; FIG. 9 is a side view thereof; FIG. 10 is a top plan view thereof; FIG. 11 is an end view thereof, opposite that shown in FIG. 7; FIG. 12 is a top isometric view thereof shown without the chip; FIG. 13 is a bottom isometric view thereof; FIG. 14 is an end view thereof; FIG. 15 is a bottom plan view thereof; FIG. 16 is a side view thereof; FIG. 17 is a top plan view thereof; and, FIG. 18 is an end view thereof, opposite that shown in FIG. 14.

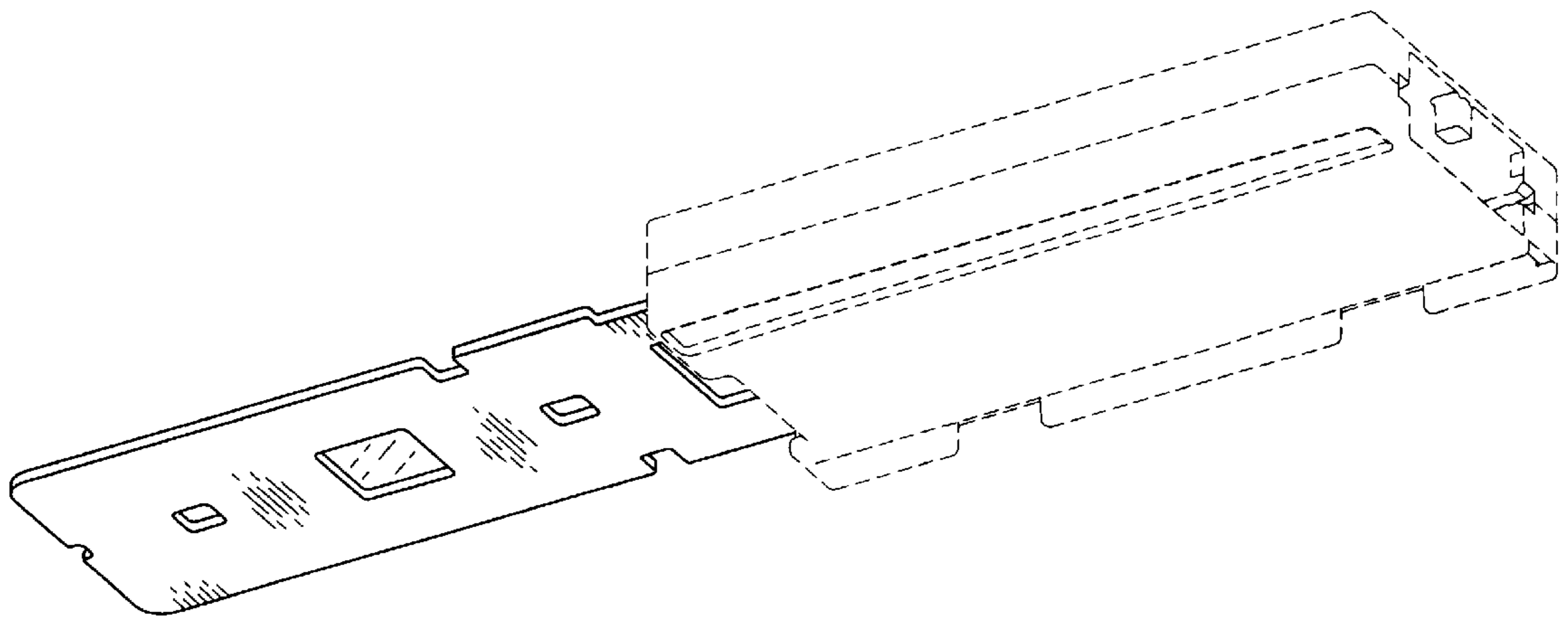
The broken line showing of the cover and chip are for illustrative purposes only and forms no part of the claimed design.

**1 Claim, 12 Drawing Sheets**

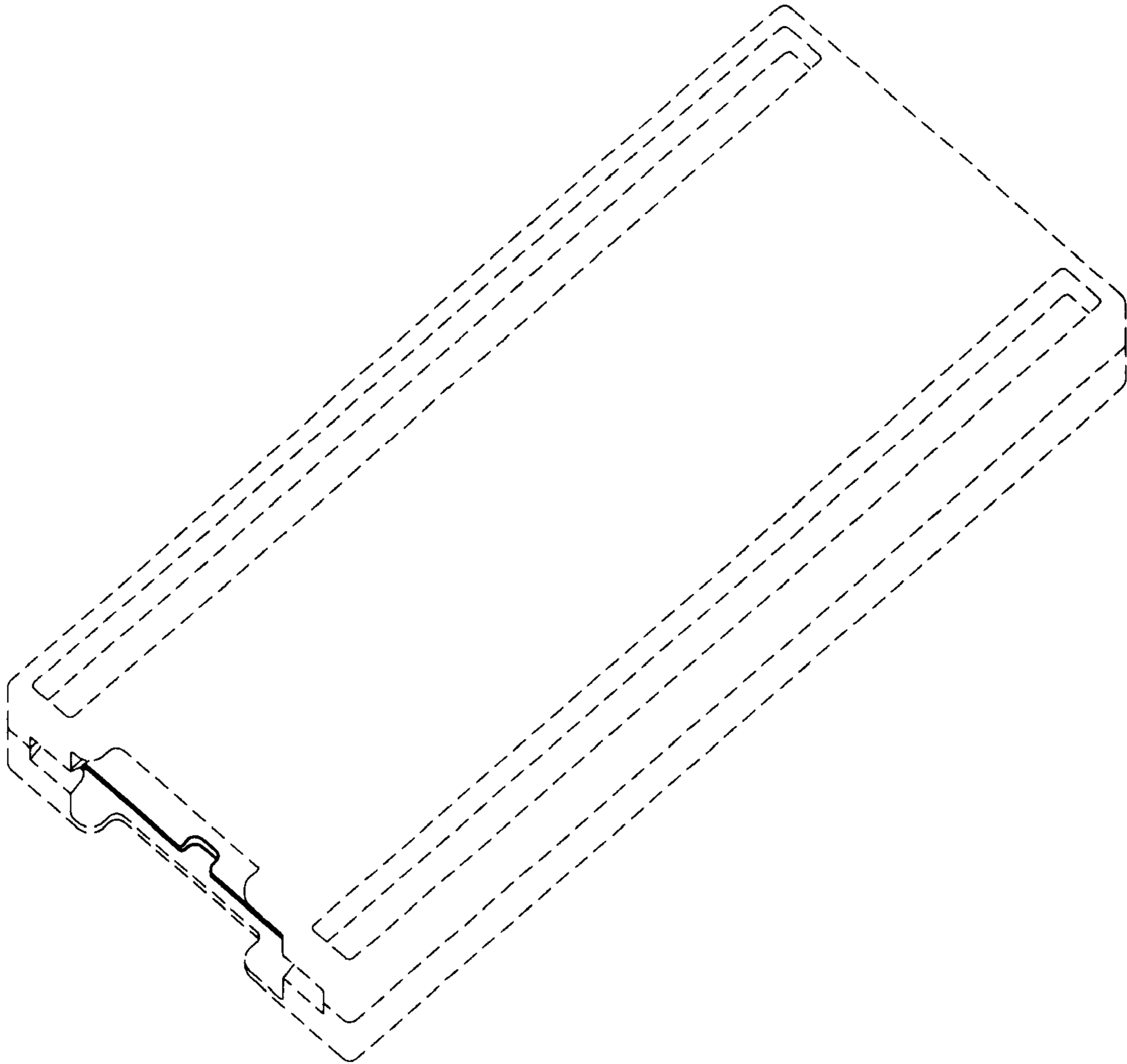




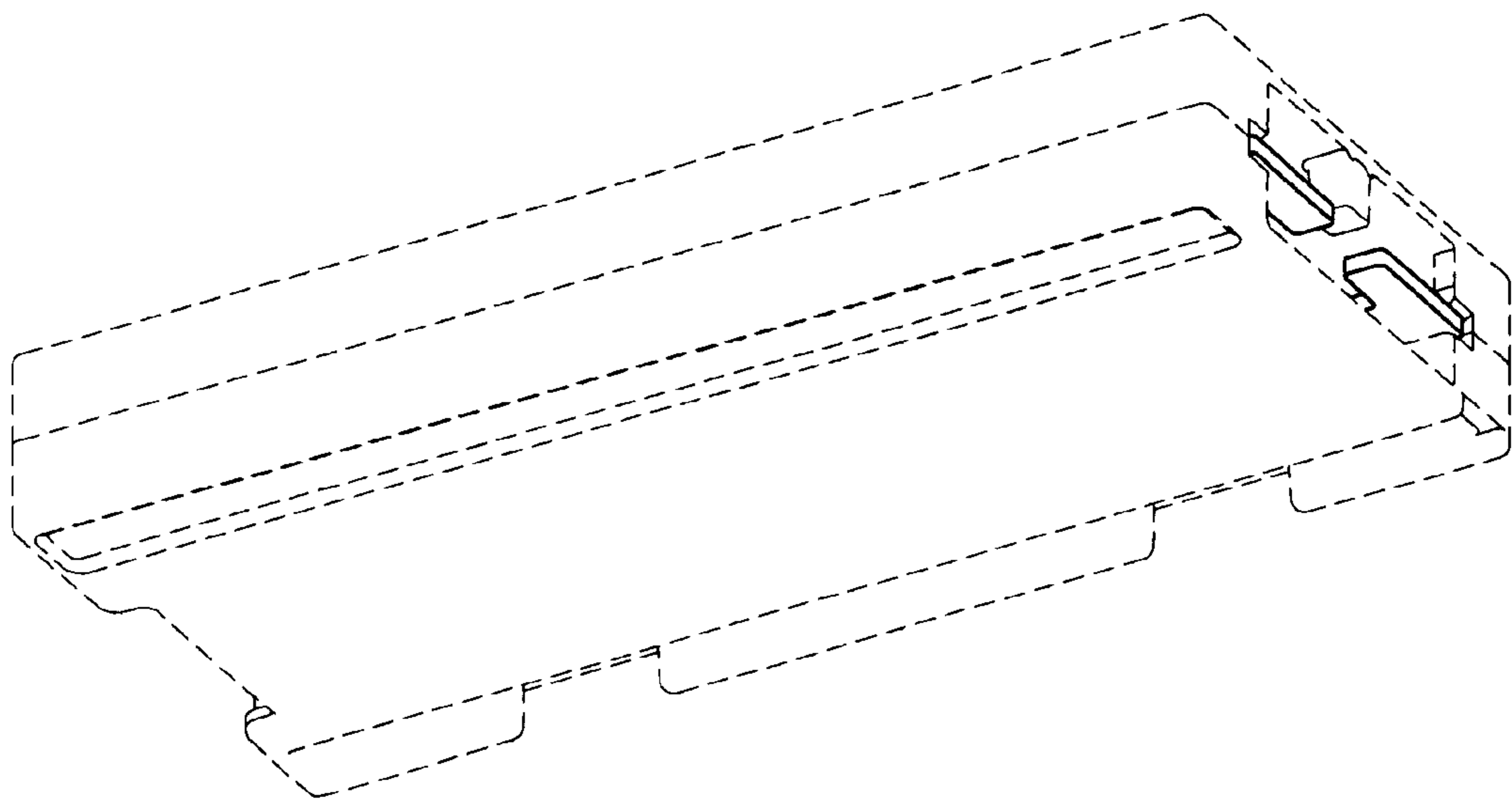
*Fig. 1*



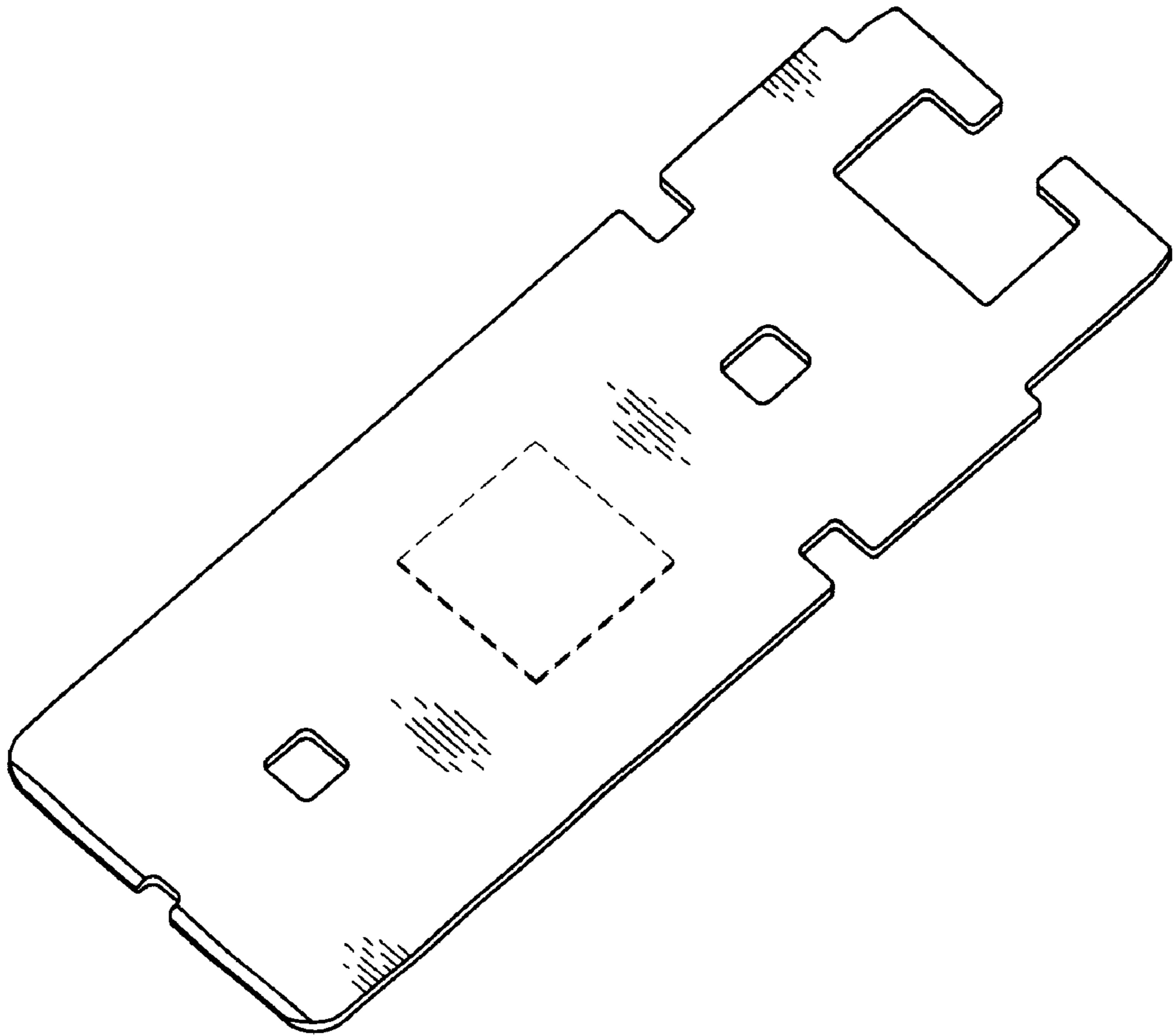
*Fig. 2*



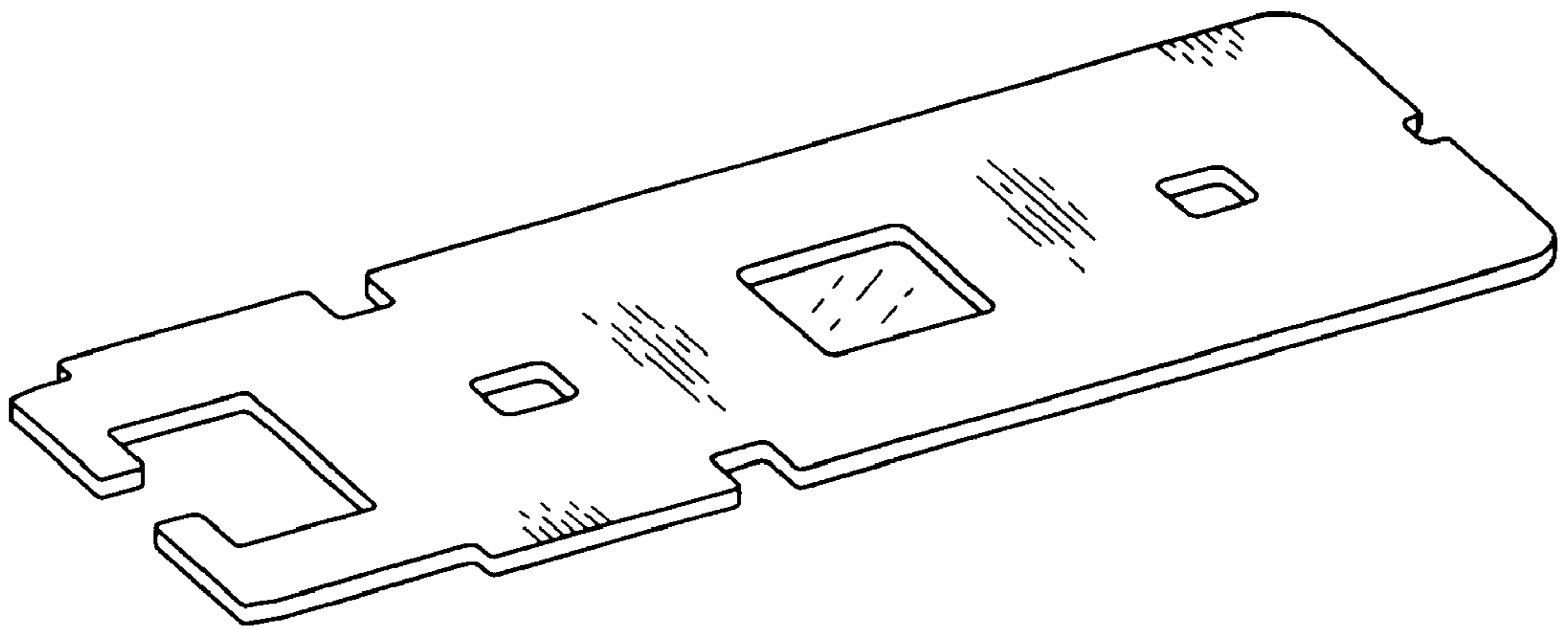
*Fig. 3*



*Fig. 4*



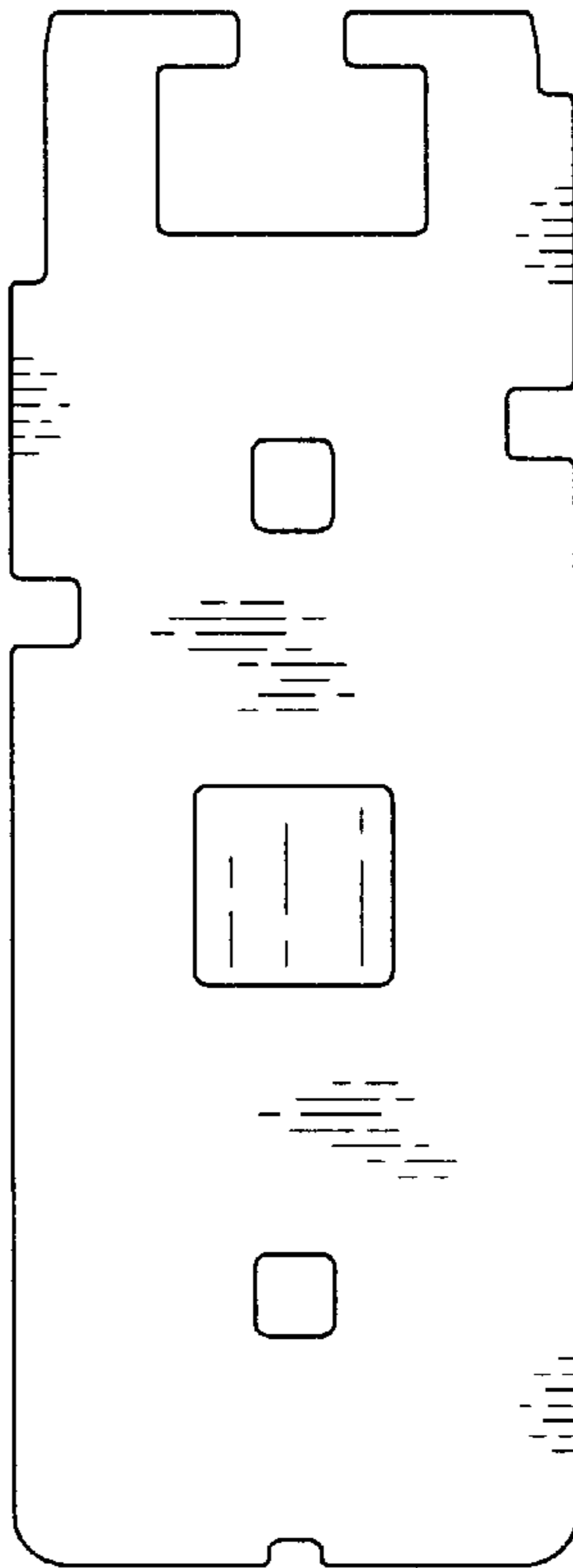
*Fig. 5*



*Fig. 6*



*Fig. 7*

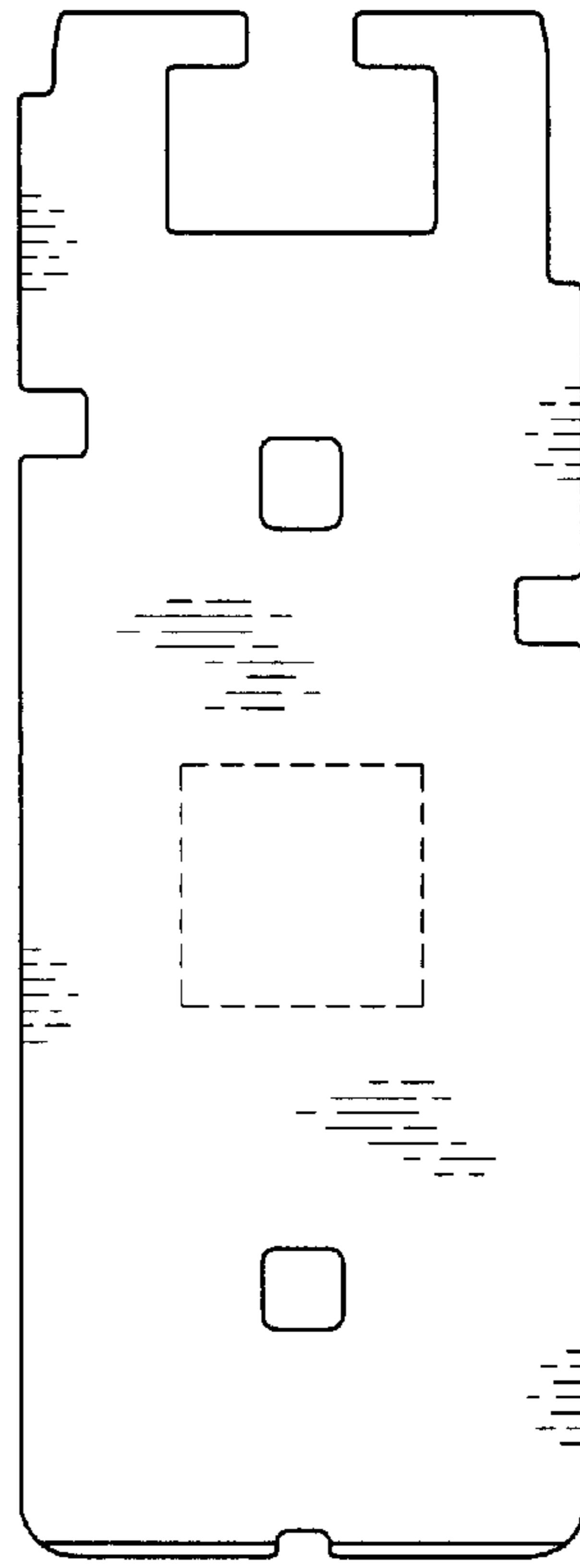


*Fig. 8*





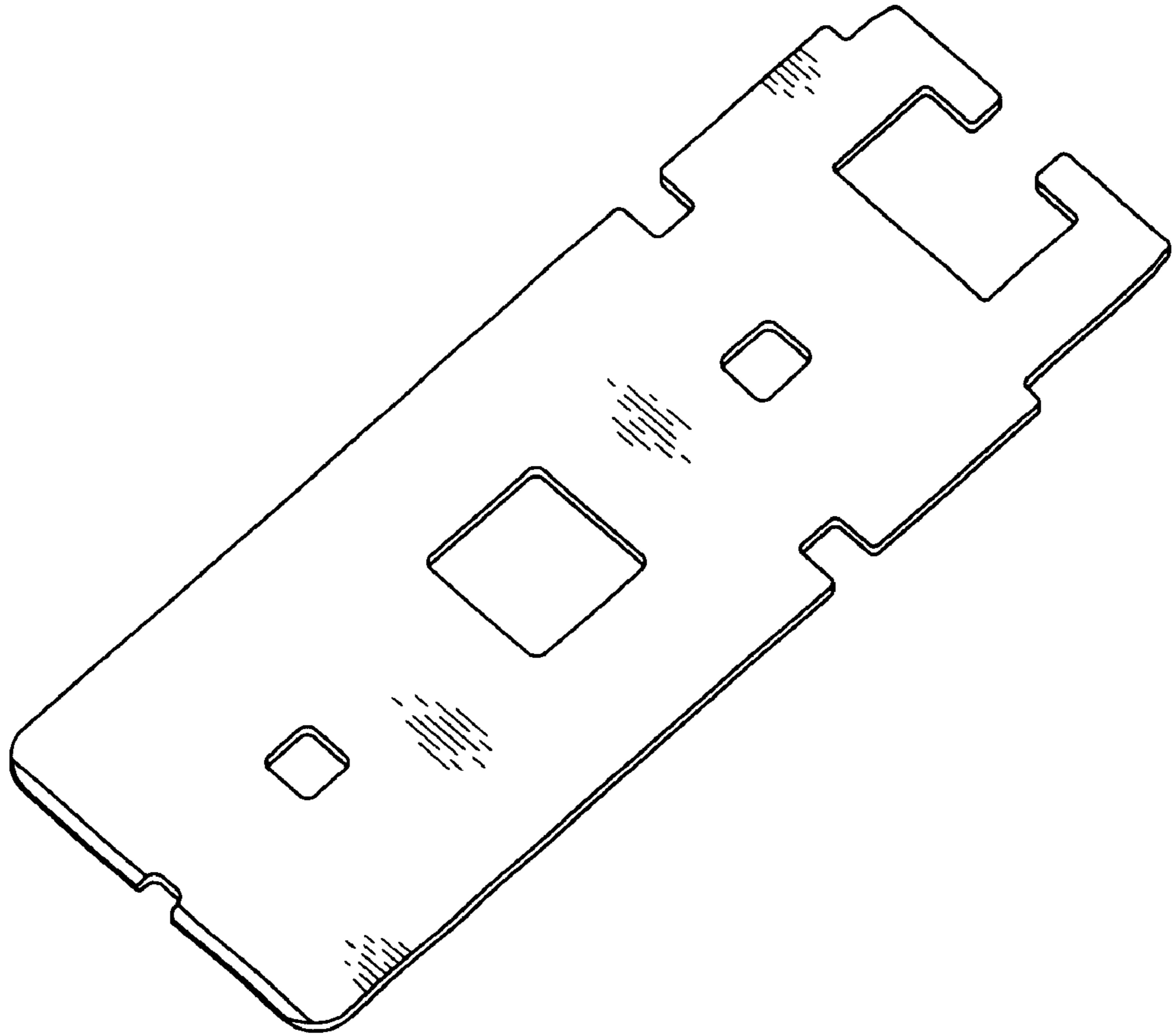
*Fig. 9*



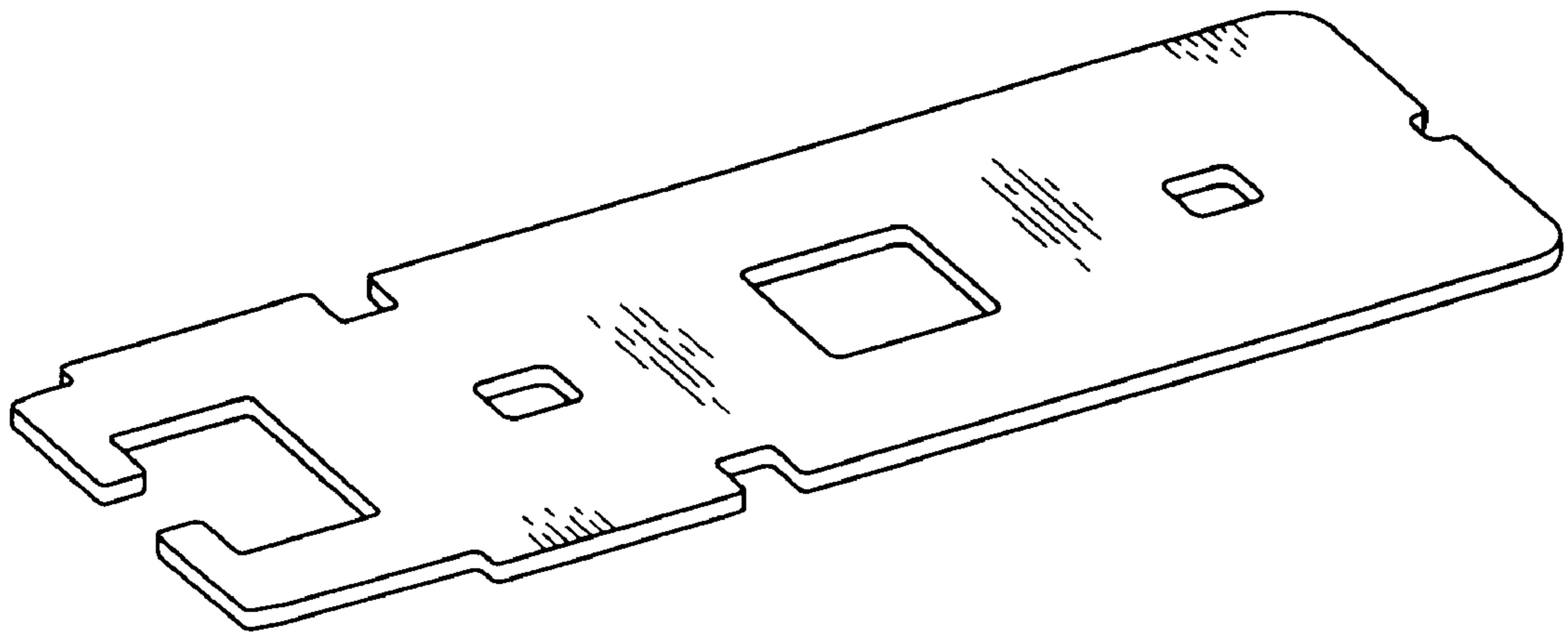
*Fig. 10*



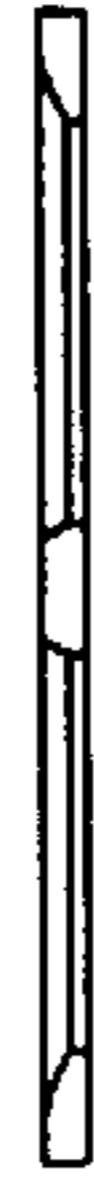
*Fig. 11*



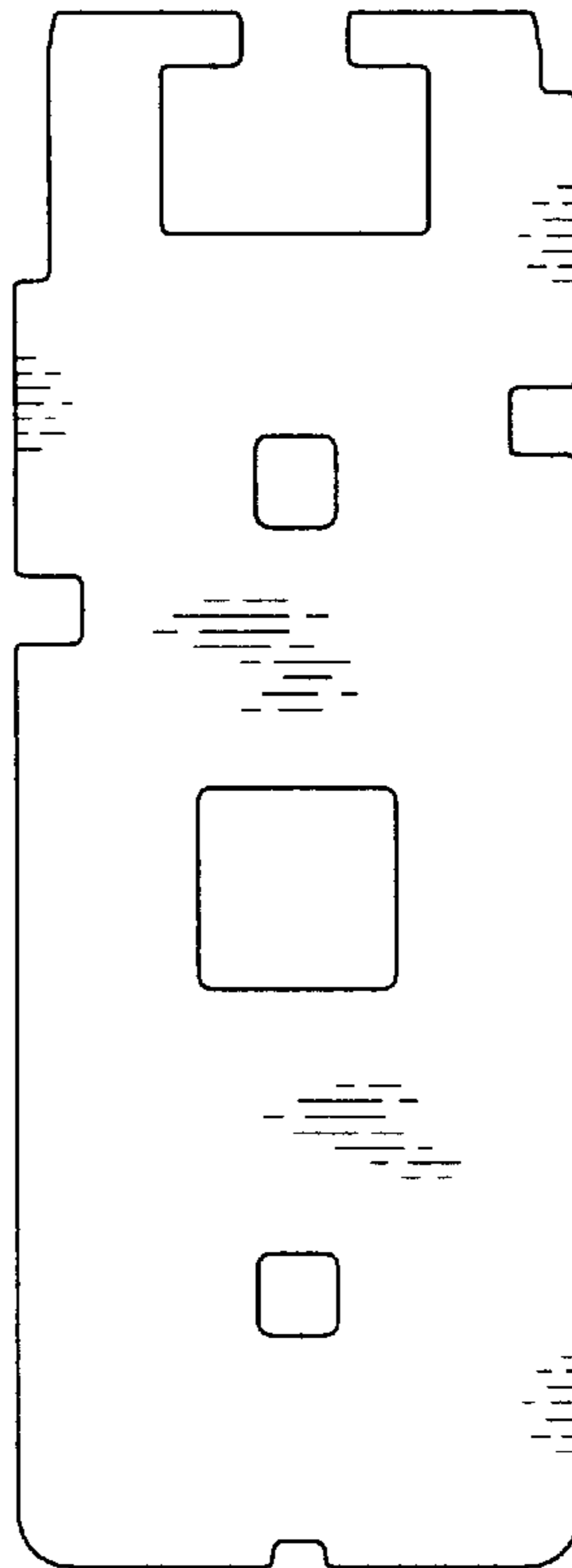
*Fig. 12*



*Fig. 13*



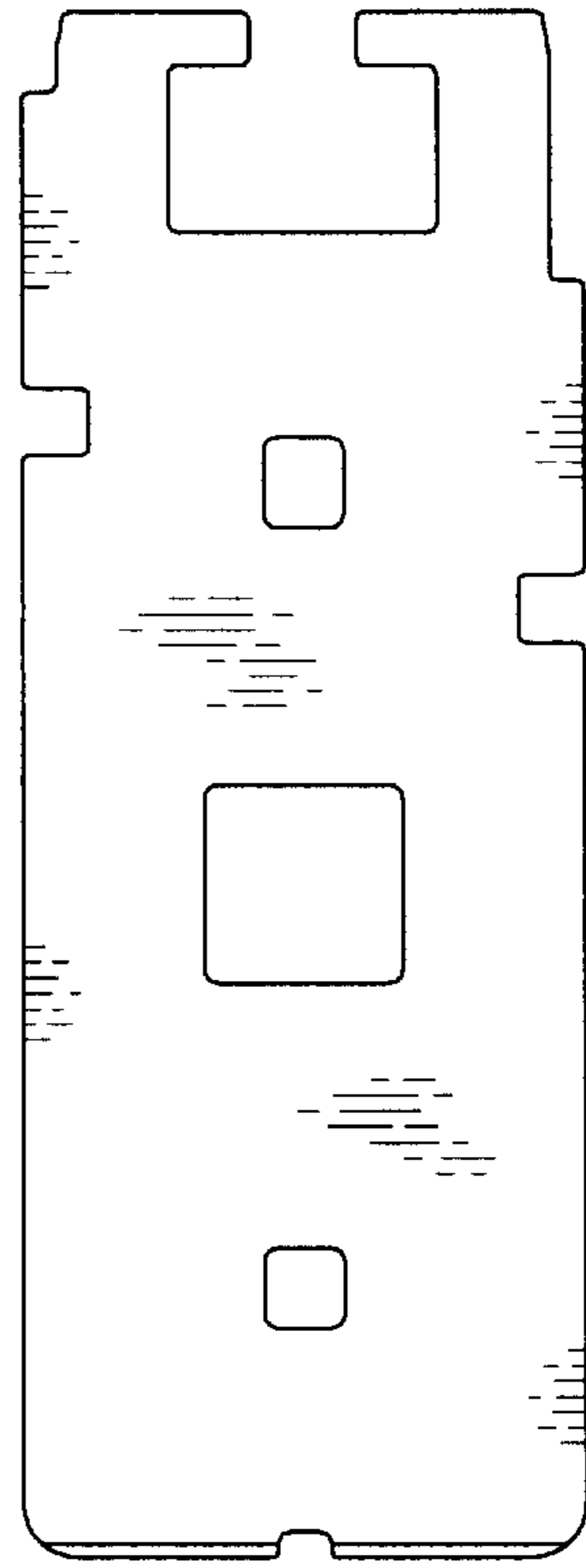
*Fig. 14*



*Fig. 15*



*Fig. 16*



*Fig. 17*



*Fig. 18*