



US00D472642S

(12) **United States Design Patent**
Henckel

(10) **Patent No.:** **US D472,642 S**

(45) **Date of Patent:** **** Apr. 1, 2003**

(54) **SCALP MASSAGER**

(76) Inventor: **Michael R. Henckel**, 3552 Hagerman,
Leonard, MI (US) 48367

(**) Term: **14 Years**

(21) Appl. No.: **29/155,986**

(22) Filed: **Feb. 21, 2002**

(51) **LOC (7) Cl.** **28-03**

(52) **U.S. Cl.** **D24/211**

(58) **Field of Search** D24/200, 211,
D24/214; 601/136, 137, 138, 139, 141,
111

(56) **References Cited**

U.S. PATENT DOCUMENTS

2,253,910	A	*	8/1941	Luenz	601/139
2,711,731	A	*	6/1955	Krohne	601/137
3,411,723	A		11/1968	Kohn		
3,964,120	A		6/1976	Woodford		
4,122,855	A		10/1978	Tezel		
4,537,207	A		8/1985	Gilhaus		
4,667,659	A	*	5/1987	Hayday	601/137
4,803,750	A		2/1989	Christopher et al.		
4,892,091	A	*	1/1990	Sullenger	601/137
D307,475	S	*	4/1990	Bomkamp	D24/211
5,042,512	A		8/1991	Knight		

5,196,020	A		3/1993	Atkinson et al.		
D357,322	S	*	4/1995	Matthews	D24/211
5,690,057	A		11/1997	Curry		
5,693,064	A		12/1997	Arnold		
D430,936	S	*	9/2000	Noble	D24/211
6,235,039	B1		5/2001	Parkin et al.		
6,309,398	B1		10/2001	Flörke		
6,322,568	B1		11/2001	Bernabei et al.		

* cited by examiner

Primary Examiner—Stella Reid

(74) *Attorney, Agent, or Firm*—Warn, Burgess &
Hoffmann, P.C.

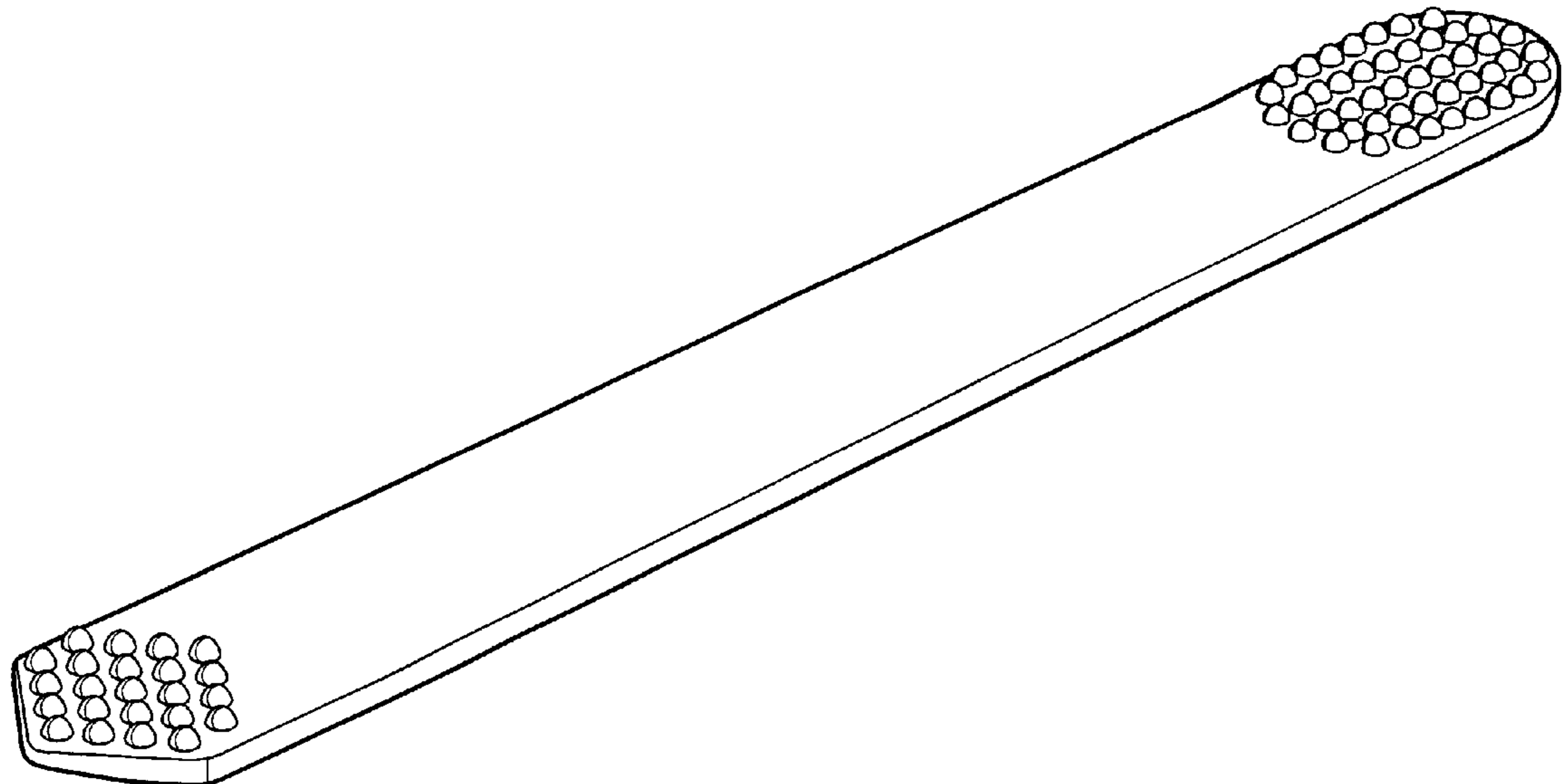
(57) **CLAIM**

I claim the ornamental design for a scalp massager, as shown and described.

DESCRIPTION

FIG. 1 is a front perspective view of the new ornamental scalp massager of the present invention; FIG. 2 is a right side view thereof, the left side view being a mirror image thereof; FIG. 3 is a top plan view thereof; FIG. 4 is a bottom plan view thereof; FIG. 5 is a front elevational view thereof; and, FIG. 6 is a rear elevational view thereof.

1 Claim, 1 Drawing Sheet



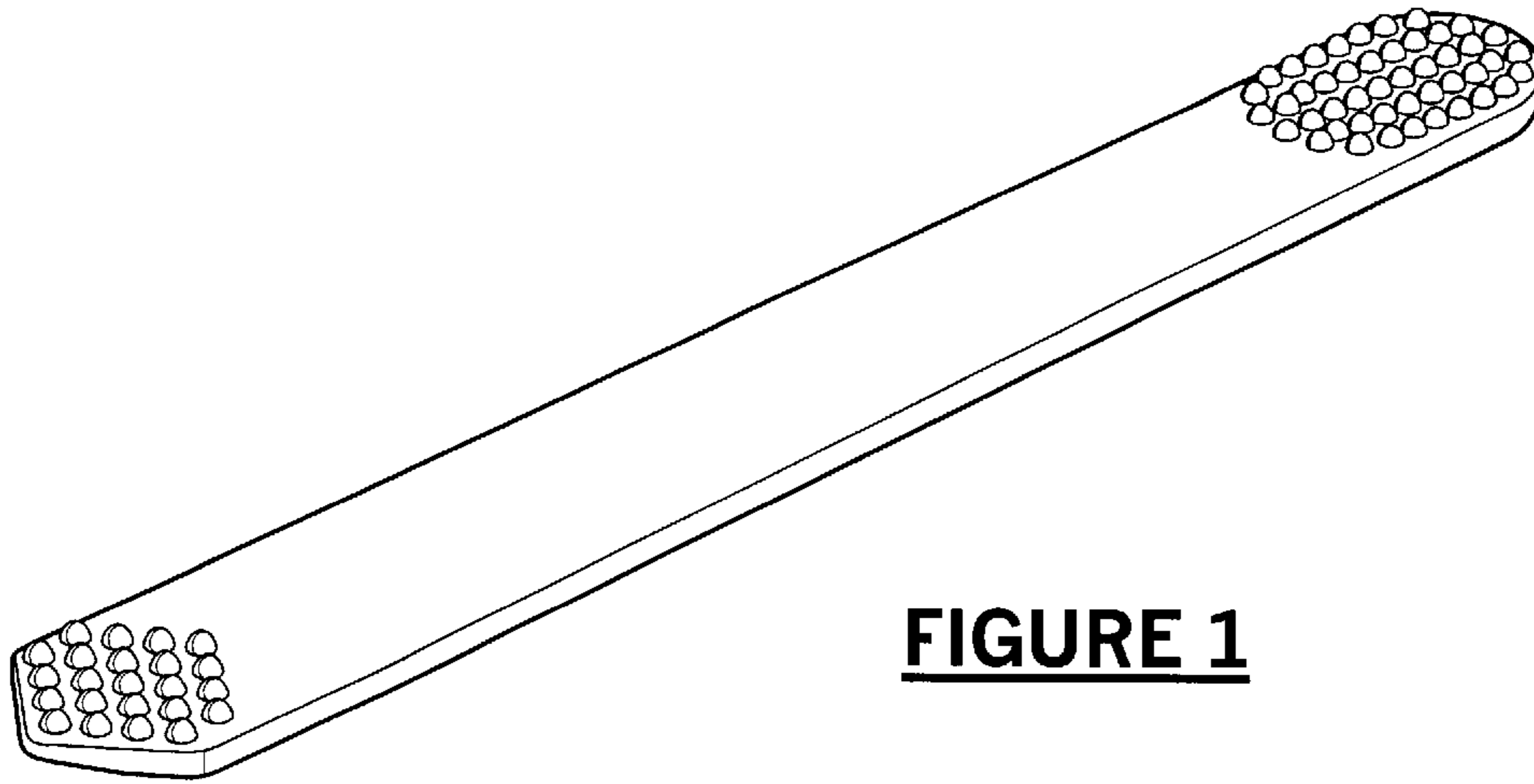


FIGURE 1

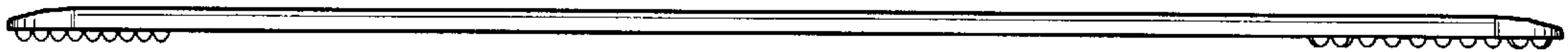


FIGURE 2



FIGURE 3

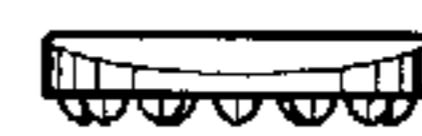


FIGURE 4

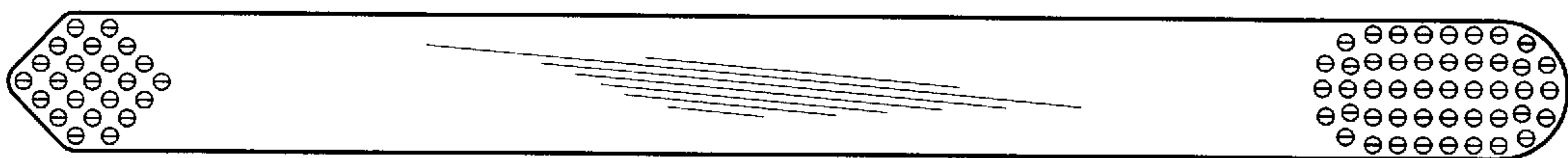


FIGURE 5

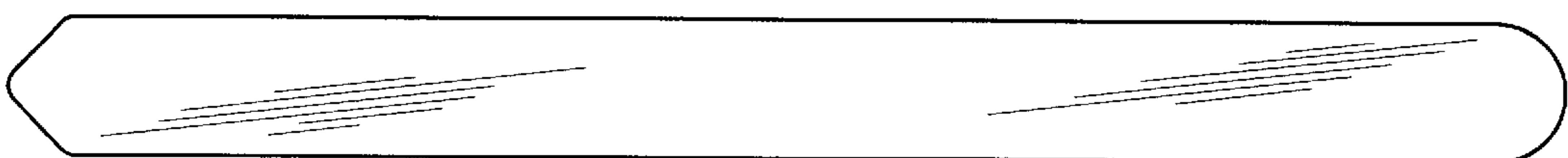


FIGURE 6