



US00D472636S

(12) **United States Design Patent**
Haynes

(10) **Patent No.:** **US D472,636 S**

(45) **Date of Patent:** **** Apr. 1, 2003**

(54) **EMBRYO FILTER**

D384,415 S * 9/1997 Maloney et al. D24/162

(76) Inventor: **John T. Haynes**, 314 First Monday Rd., Canton, TX (US) 75103

* cited by examiner

(**) Term: **14 Years**

Primary Examiner—Ian Simmons
(74) *Attorney, Agent, or Firm*—C. W. Alworth

(21) Appl. No.: **29/139,406**

(57) **CLAIM**

(22) Filed: **Mar. 28, 2001**

The ornamental design for an embryo filter, as shown and described.

(51) **LOC (7) Cl.** **24-01**

DESCRIPTION

(52) **U.S. Cl.** **D24/162; D24/216**

(58) **Field of Search** D24/216, 162;
210/445, 446, 451; 600/34, 573, 577; 604/317,
318, 331, 330, 515; 435/288.6, 288.2, 288.5,
307.1, 308.1

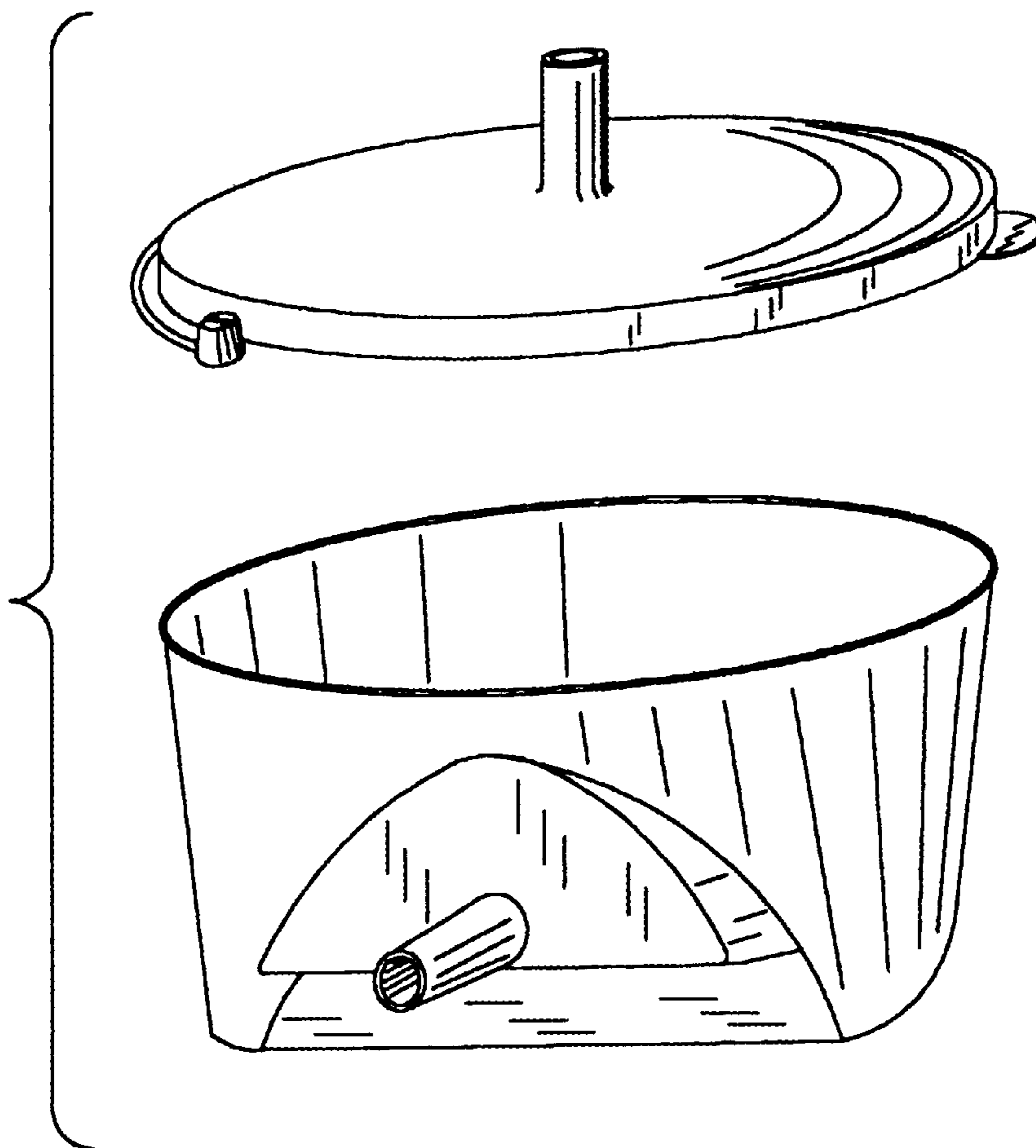
FIG. 1, is an isometric view of the embryo filter, showing the base and separable lid of my new design;
FIG. 2, is a top view of the base thereof;
FIG. 3, is a side elevational view with its lid in place thereof;
FIG. 4, is a side elevational view thereof, rotated 90 degrees from the side elevational view of FIG. 3;
FIG. 5, is a side elevational view thereof, rotated 180 degrees from the side elevational view of FIG. 3;
FIG. 6, is a top view of the lid thereof;
FIG. 7, is a bottom view with the lid in place, thereof; and,
FIG. 8, is a bottom view of the lid thereof.

(56) **References Cited**

U.S. PATENT DOCUMENTS

4,563,172 A * 1/1986 Ferguson 600/34
4,781,706 A * 11/1988 Suzuki et al. 604/317
4,809,860 A * 3/1989 Allen 604/319
5,223,151 A * 6/1993 Rojas 210/767
5,505,716 A * 4/1996 Simmet et al. 604/318

1 Claim, 8 Drawing Sheets



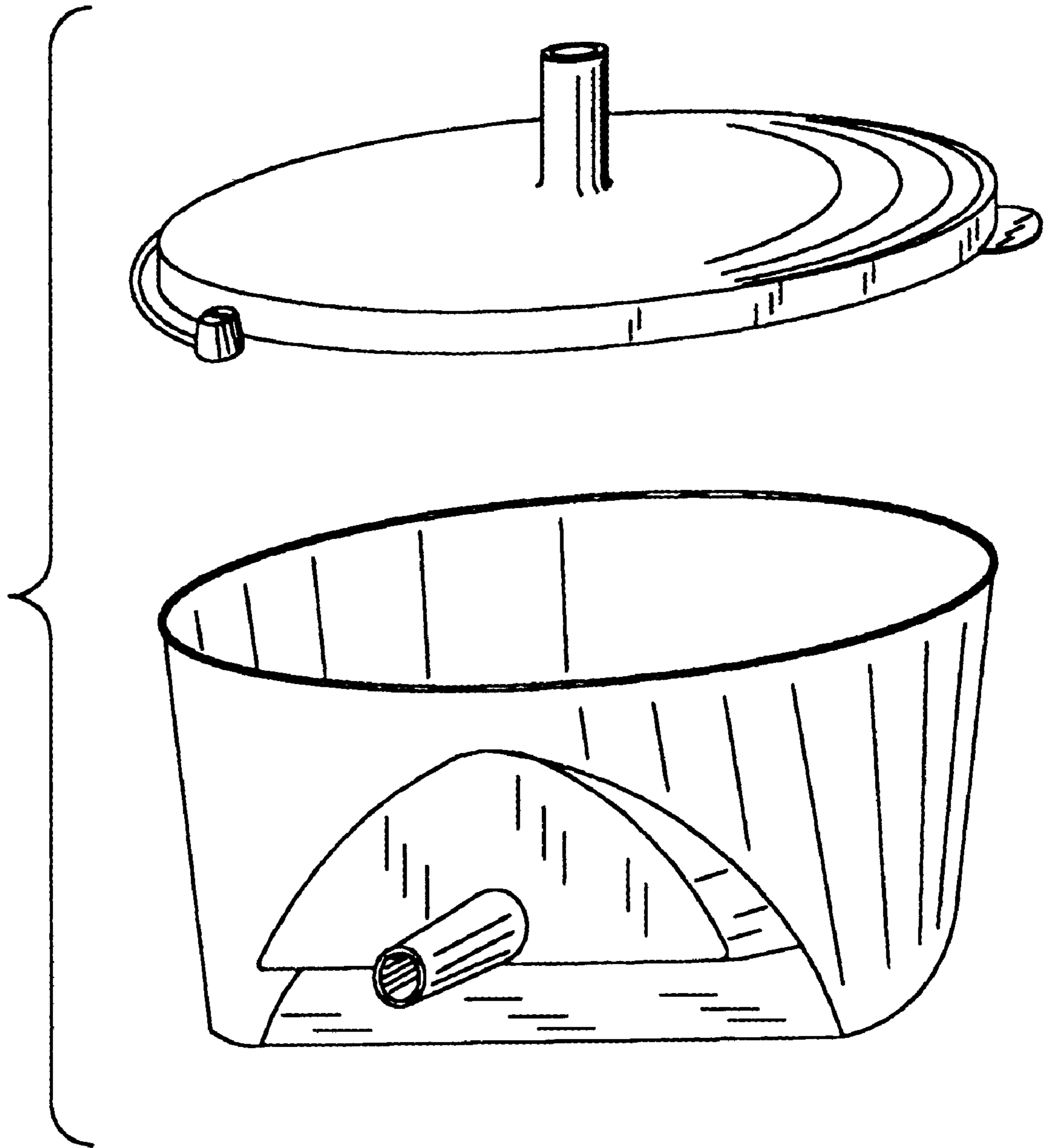


Figure 1

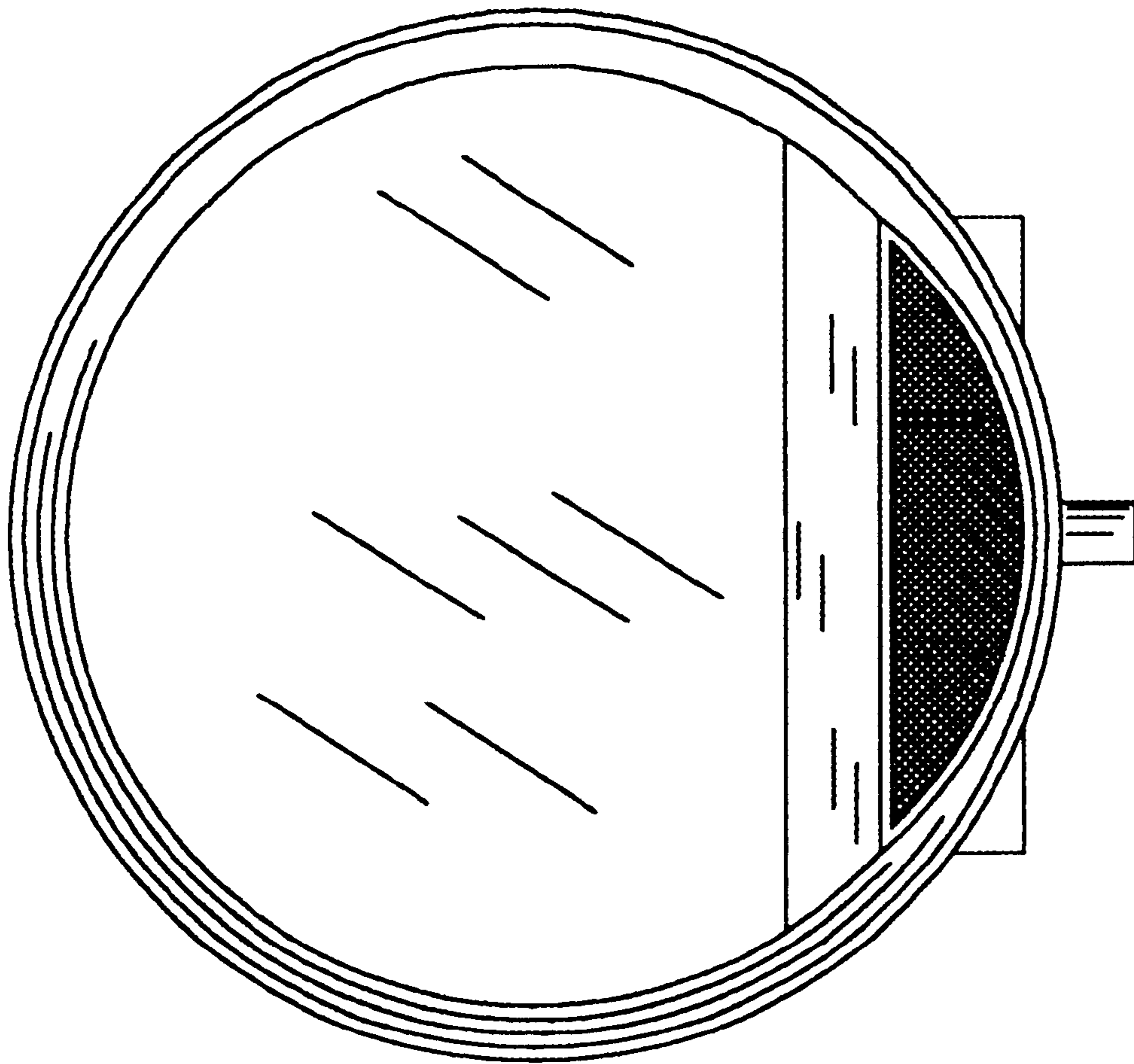


Figure 2

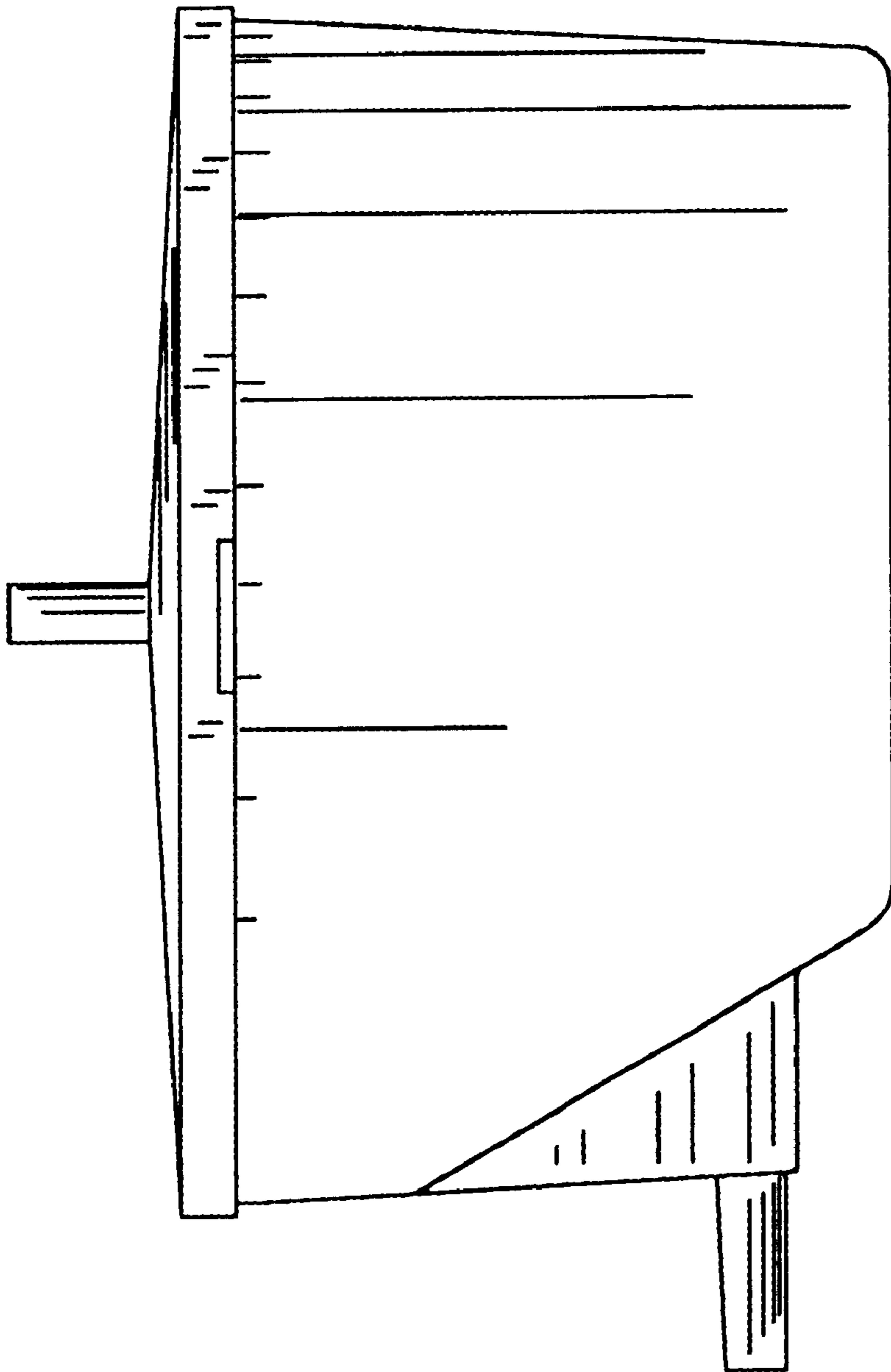


Figure 3

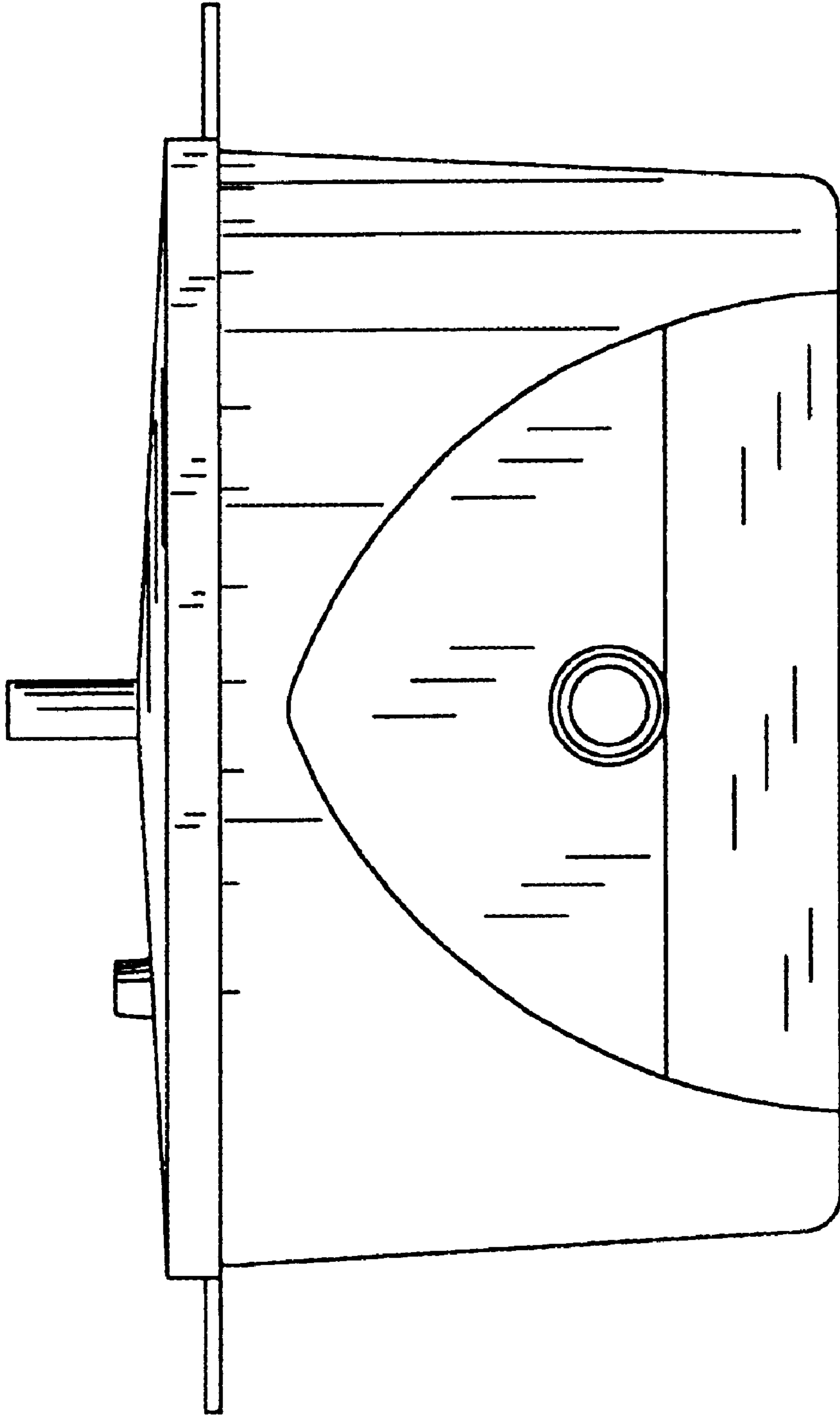


Figure 4

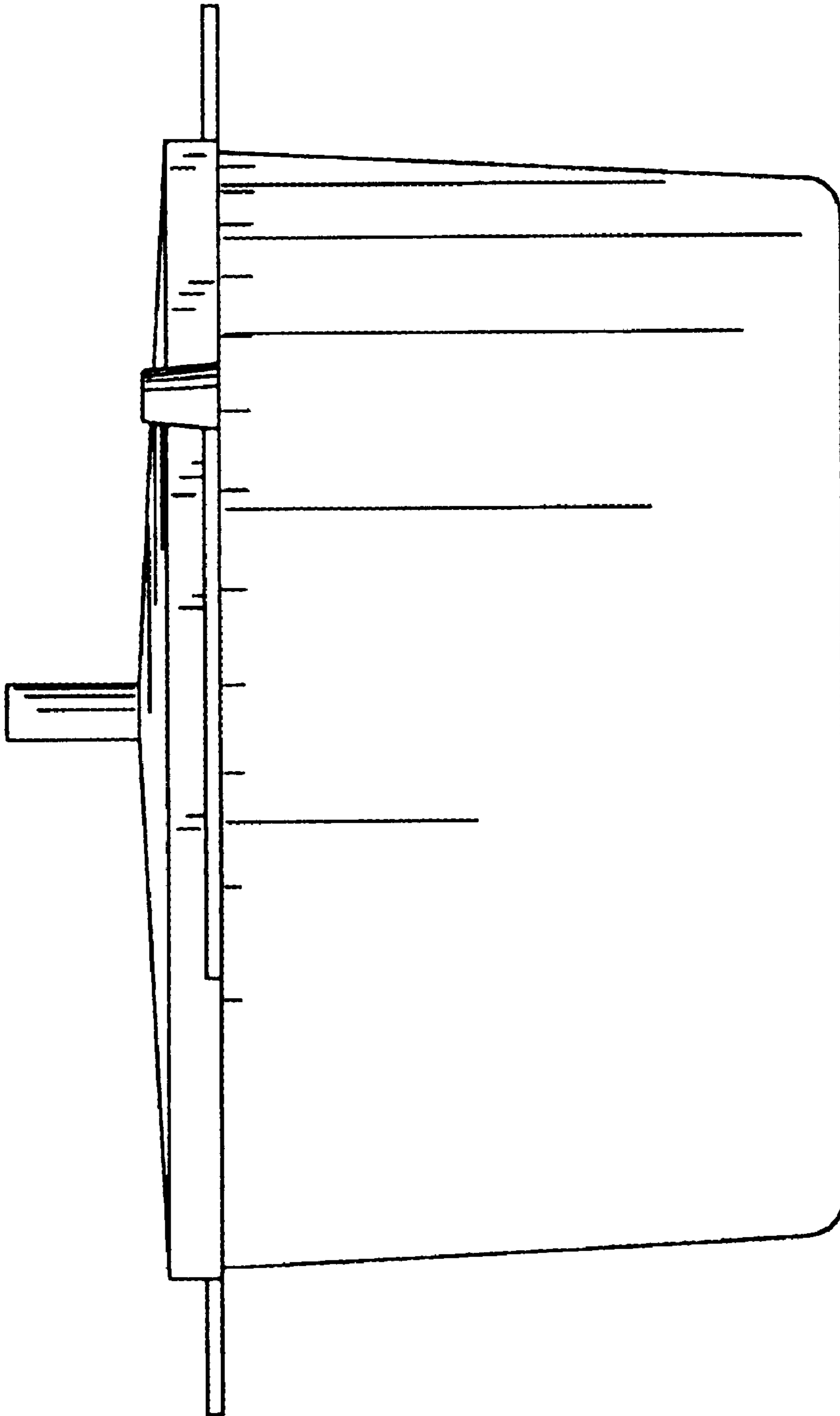


Figure 5

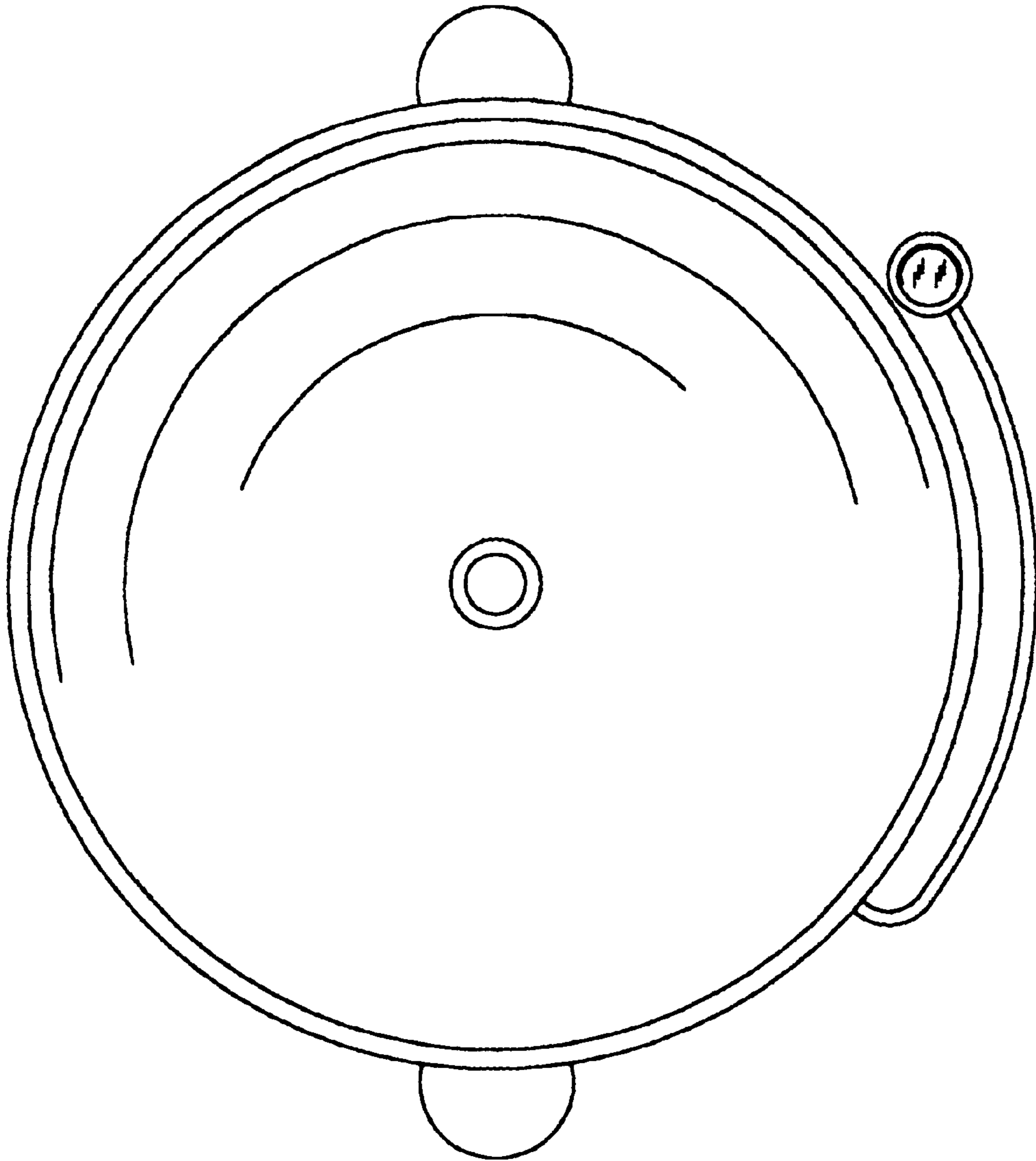


Figure 6

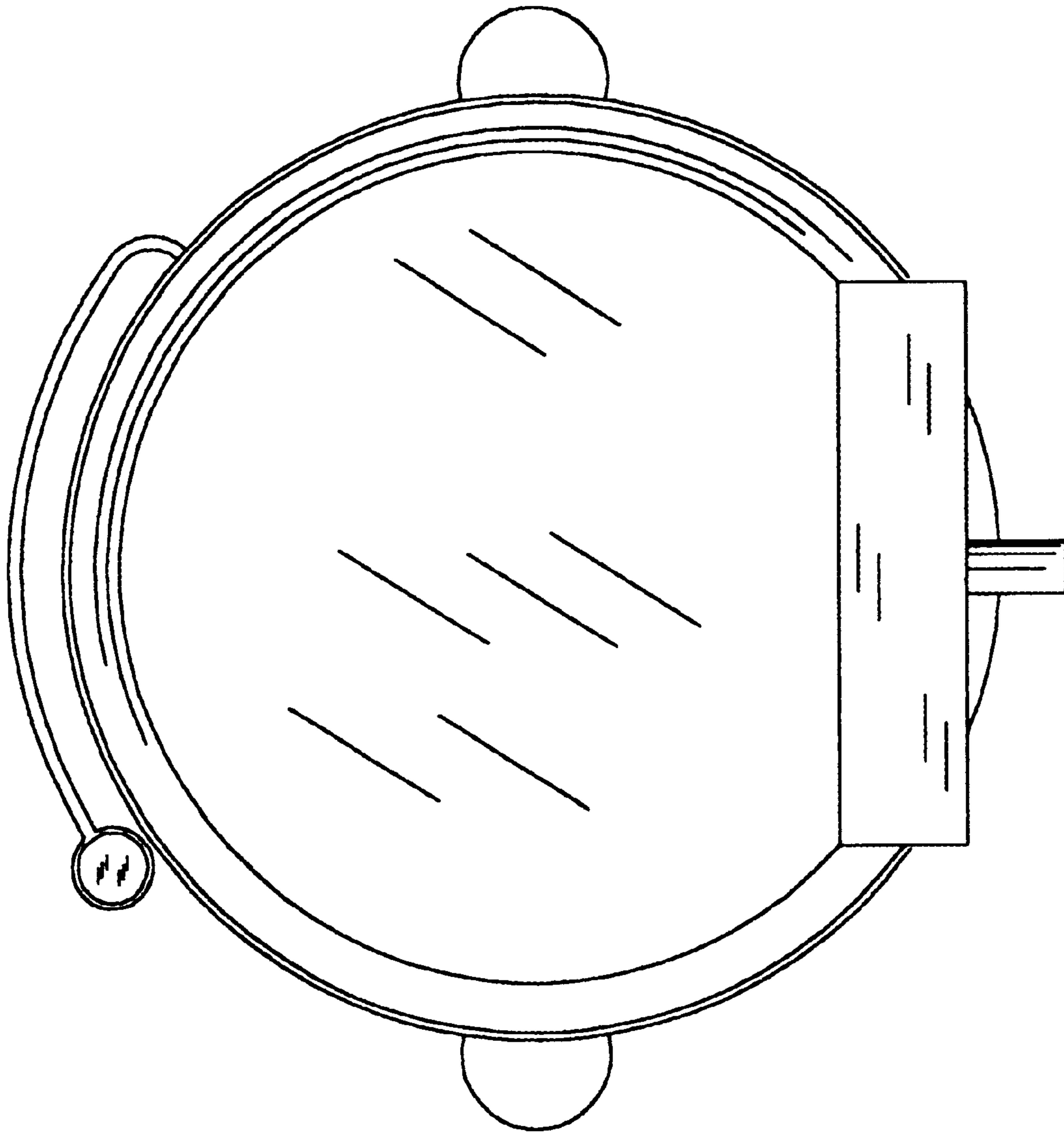


Figure 7

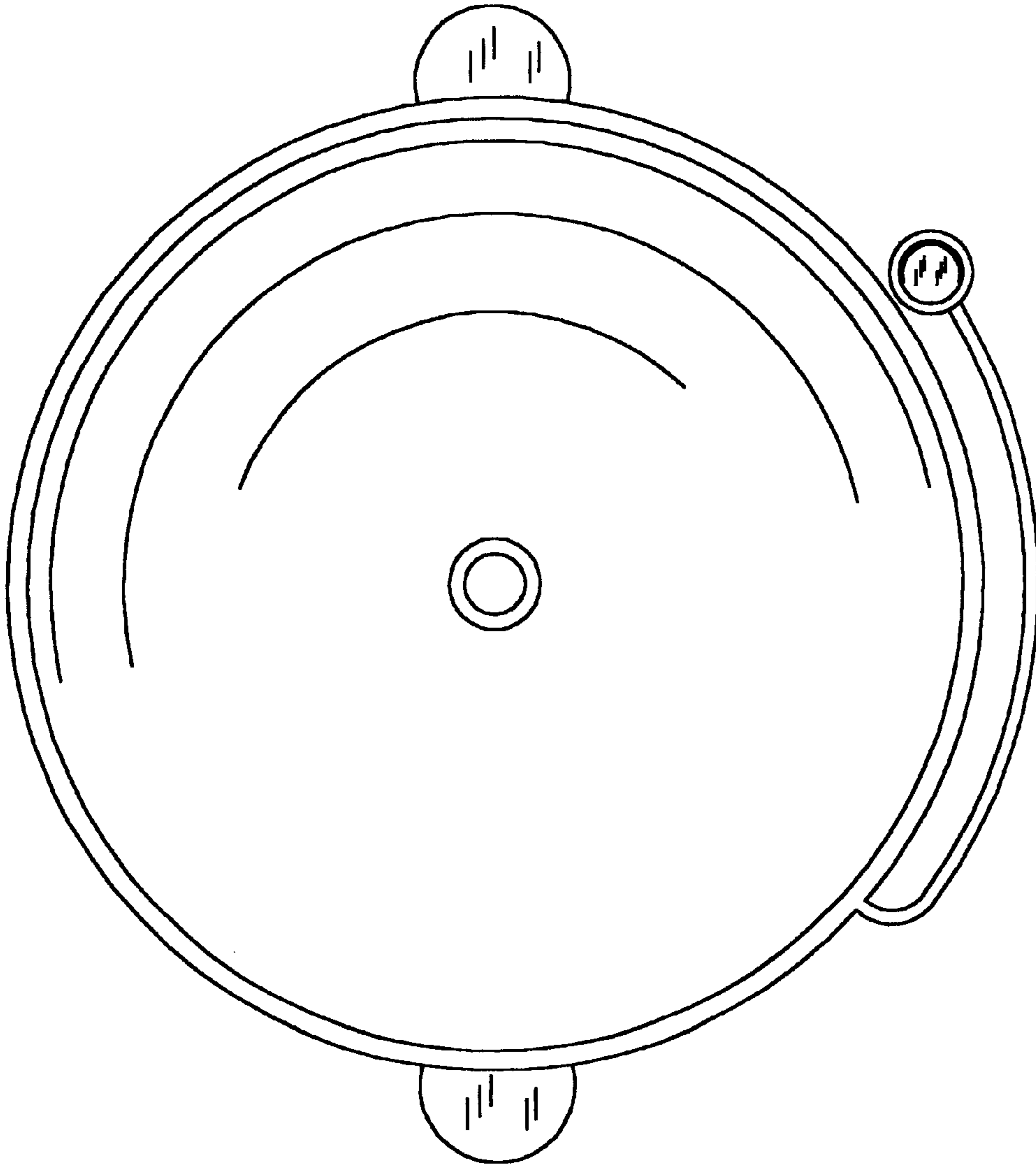


Figure 8