



US00D472635S

(12) **United States Design Patent**  
**Stringer et al.**

(10) **Patent No.:** **US D472,635 S**

(45) **Date of Patent:** **\*\* Apr. 1, 2003**

(54) **ULTRASOUND CABINET**

(75) Inventors: **Bradley J. Stringer**, Farmington, UT (US); **Shayne Messerly**, Farmington, UT (US); **Cameron P. Ford**, Kaysville, UT (US); **Ronald C. Carter**, Bountiful, UT (US); **Christopher G. Miller**, Draper, UT (US)

(73) Assignee: **Inceptio Medical Technologies, L.C.**, Farmington, UT (US)

(\*\*) Term: **14 Years**

(21) Appl. No.: **29/158,918**

(22) Filed: **Apr. 11, 2002**

(51) **LOC (7) Cl.** ..... **24-01**

(52) **U.S. Cl.** ..... **D24/160**

(58) **Field of Search** ..... D24/158, 160;  
600/437, 443, 444, 447, 448

(56) **References Cited**

**U.S. PATENT DOCUMENTS**

- D300,241 S \* 3/1989 LaCelle et al. .... D24/160
- D354,353 S \* 1/1995 Ishizuka et al. .... D24/160
- D365,148 S \* 12/1995 Murakami et al. .... D24/160

- D379,231 S \* 5/1997 Ungari ..... D24/160
- D394,712 S \* 5/1998 Henderson et al. .... D24/160
- D398,059 S \* 9/1998 Kwak ..... D24/160
- 6,361,497 B1 \* 3/2002 Lathbury et al. .... 600/437

\* cited by examiner

*Primary Examiner*—Stella Reid  
(74) *Attorney, Agent, or Firm*—TraskBritt

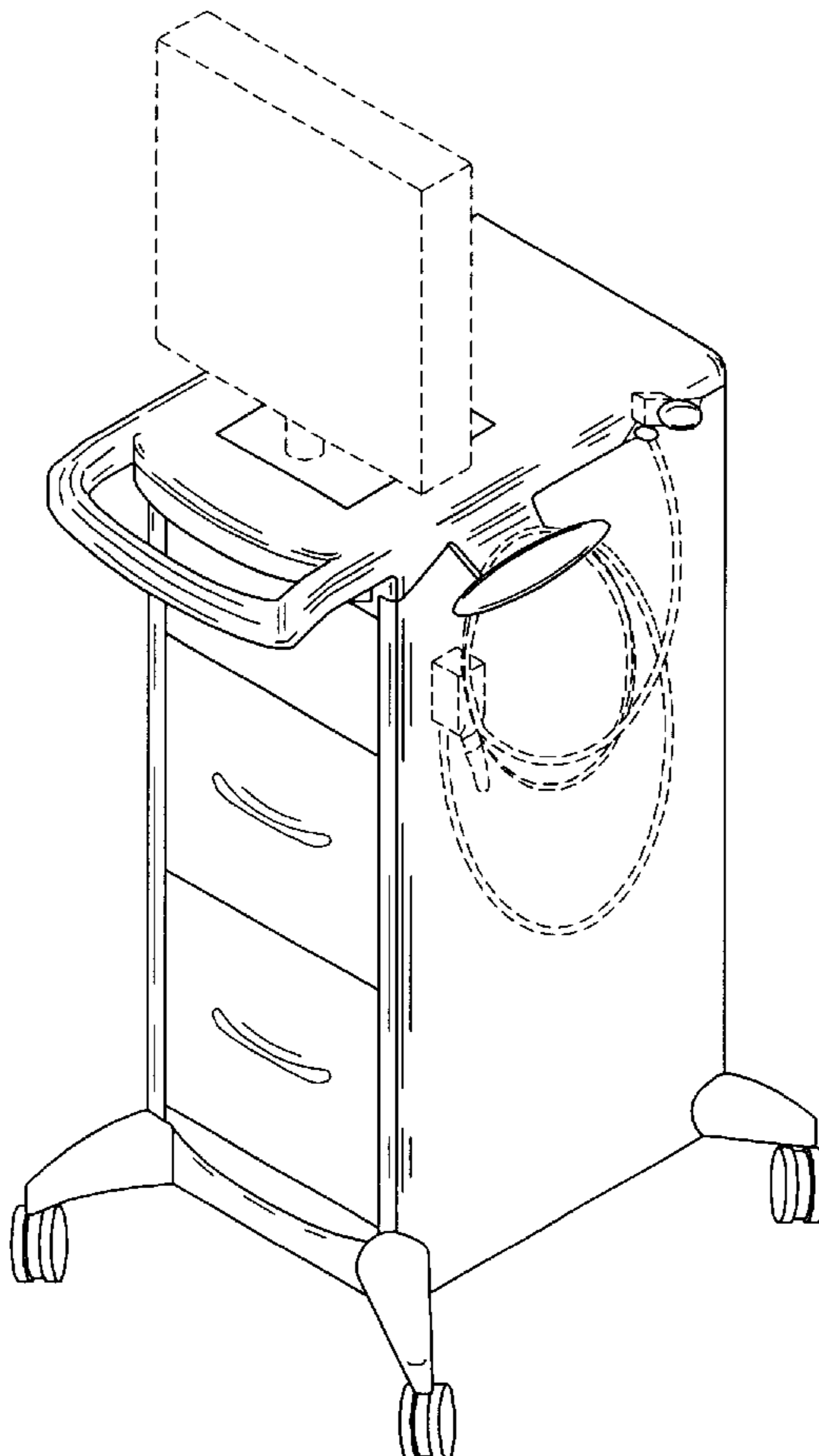
(57) **CLAIM**

The ornamental design for an ultrasound cabinet, as shown and described.

**DESCRIPTION**

FIG. 1 is a perspective view of an ultrasound cabinet showing my new design;  
FIG. 2 is a top plan view of my design;  
FIG. 3 is a front view thereof;  
FIG. 4 is a rear view thereof;  
FIG. 5 is a right side thereof;  
FIG. 6 is a left side view thereof; and,  
FIG. 7 is a modified perspective view showing the ultrasound cabinet with a drawer in an opened position.  
The broken lines shown are for illustrative purposes only and form no part of the claimed design.

**1 Claim, 4 Drawing Sheets**



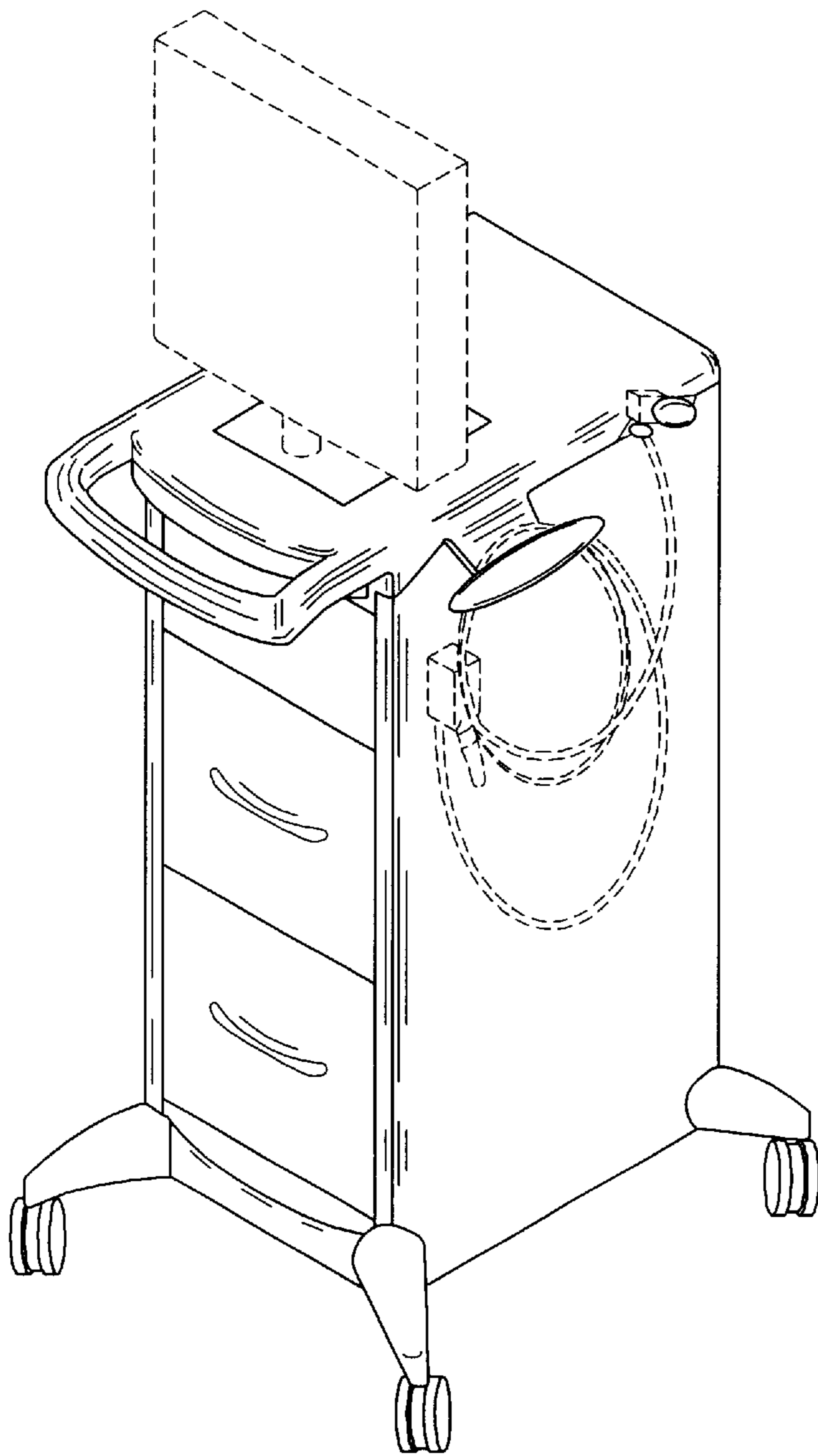


Fig 1

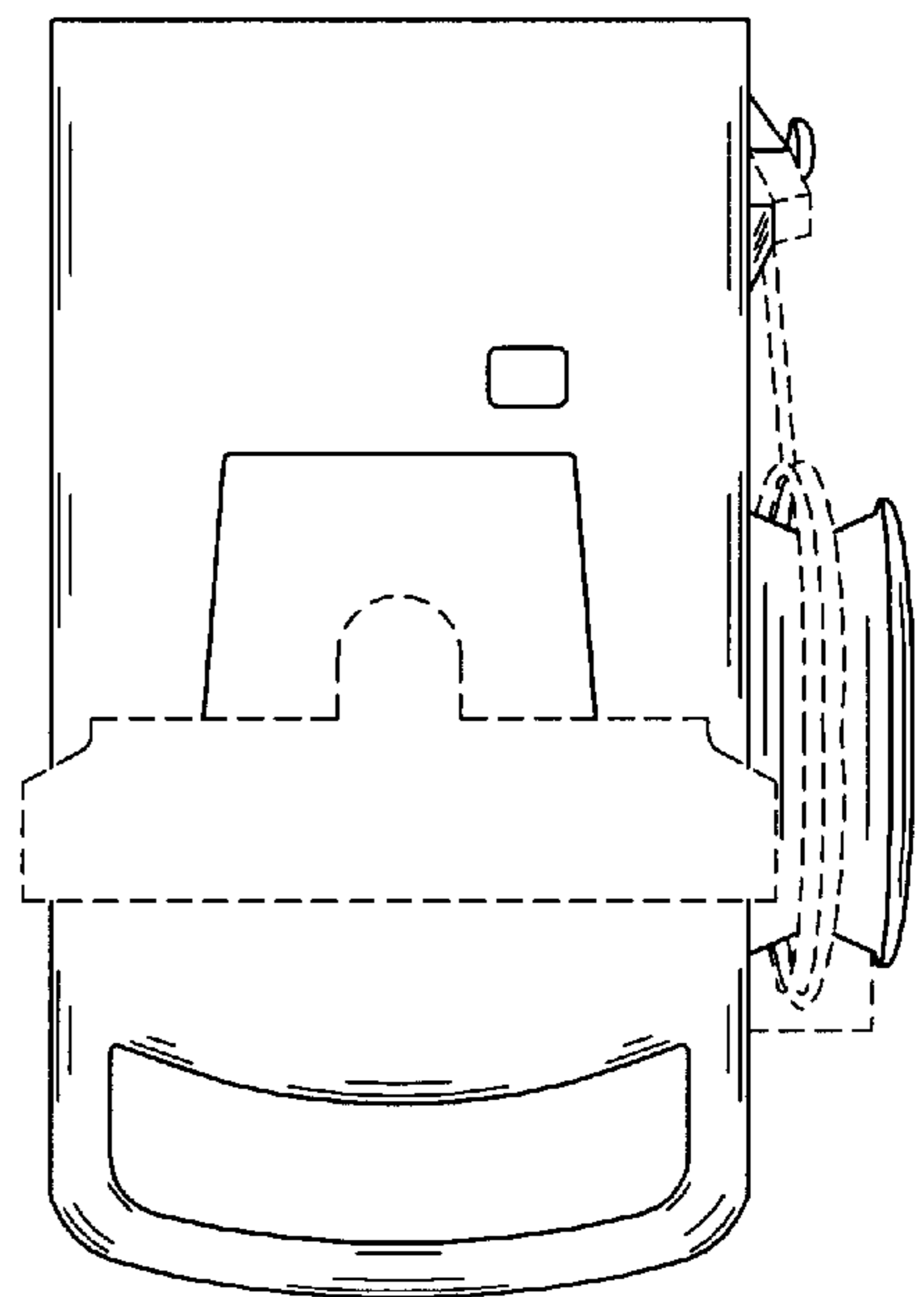


Fig 2

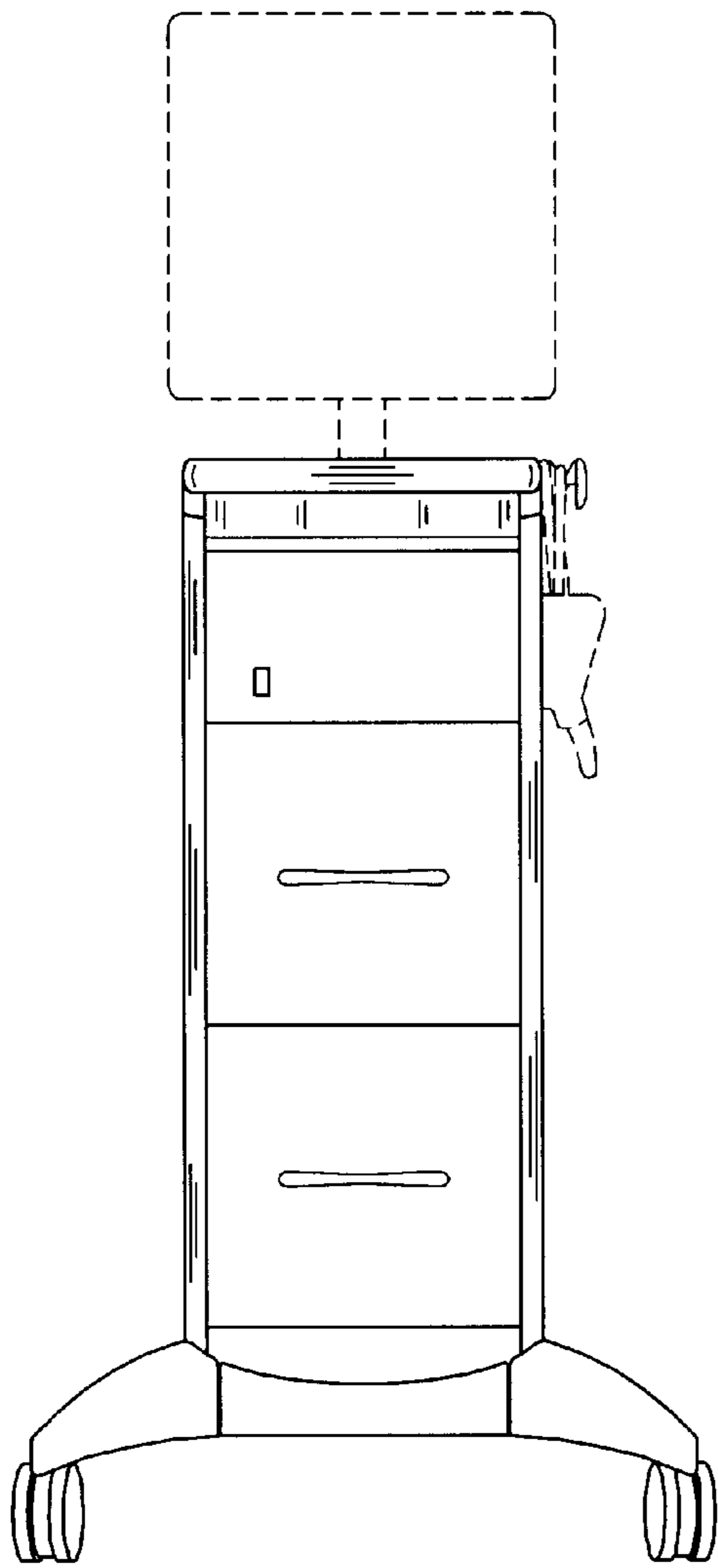


Fig 3

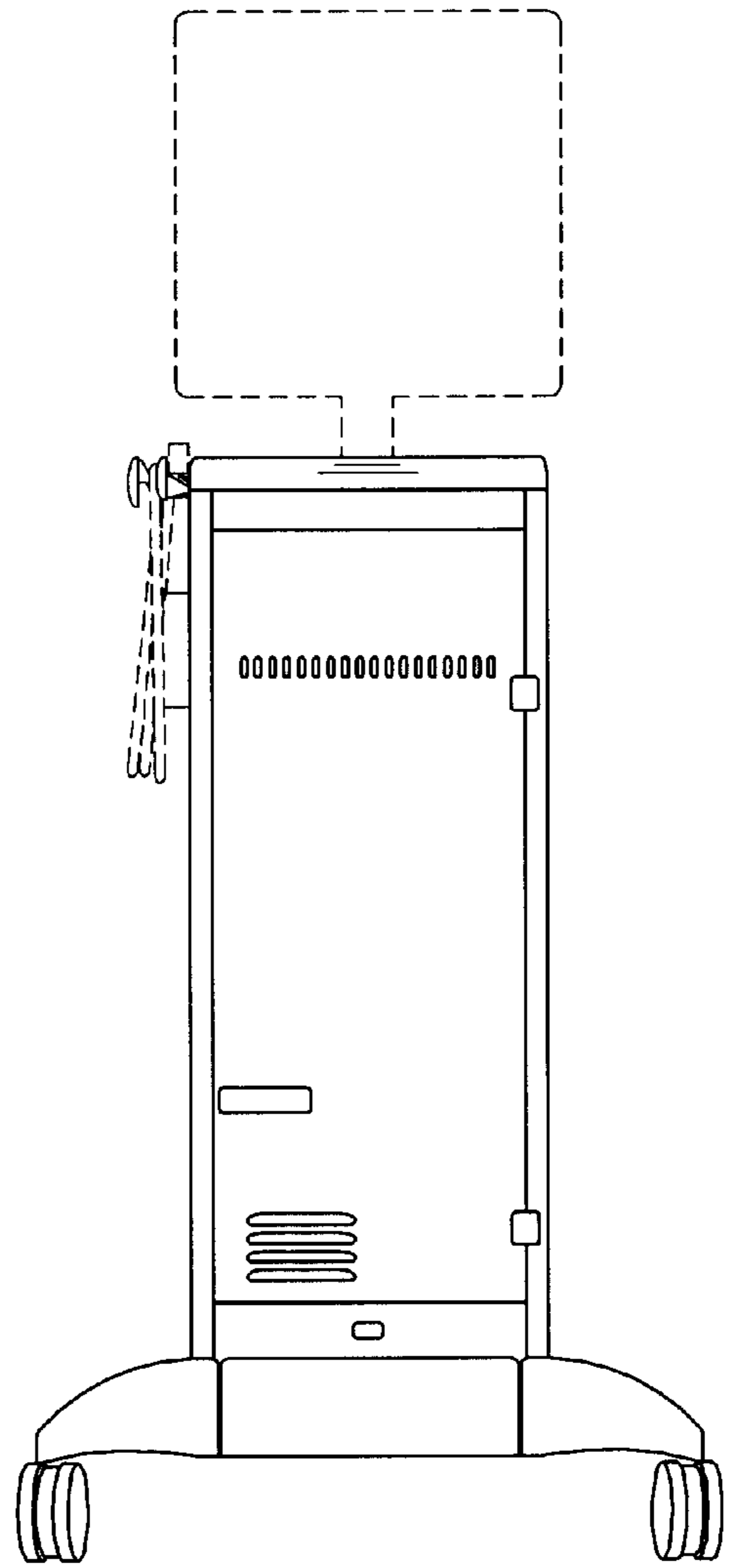


Fig 4

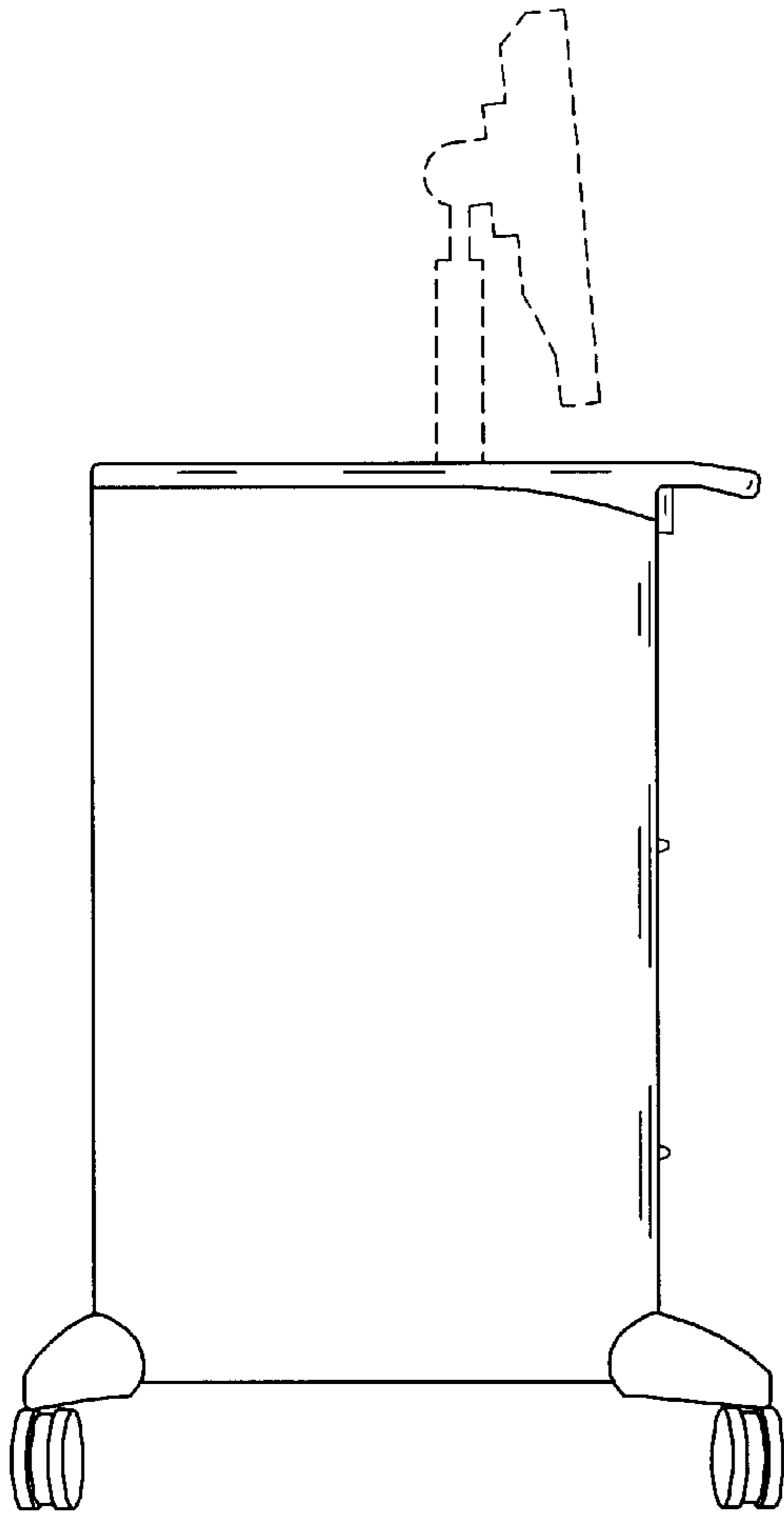


Fig 5

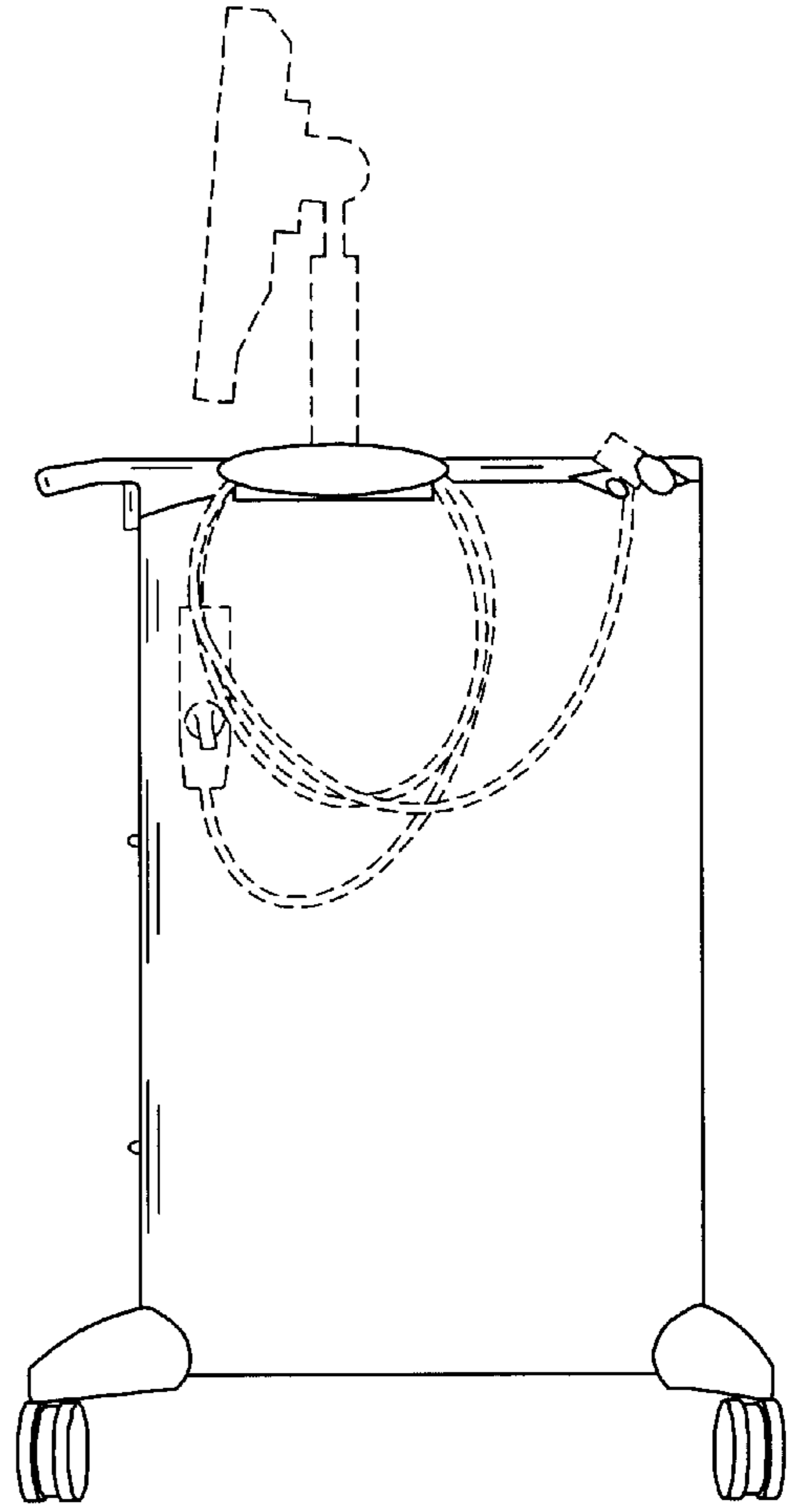


Fig 6

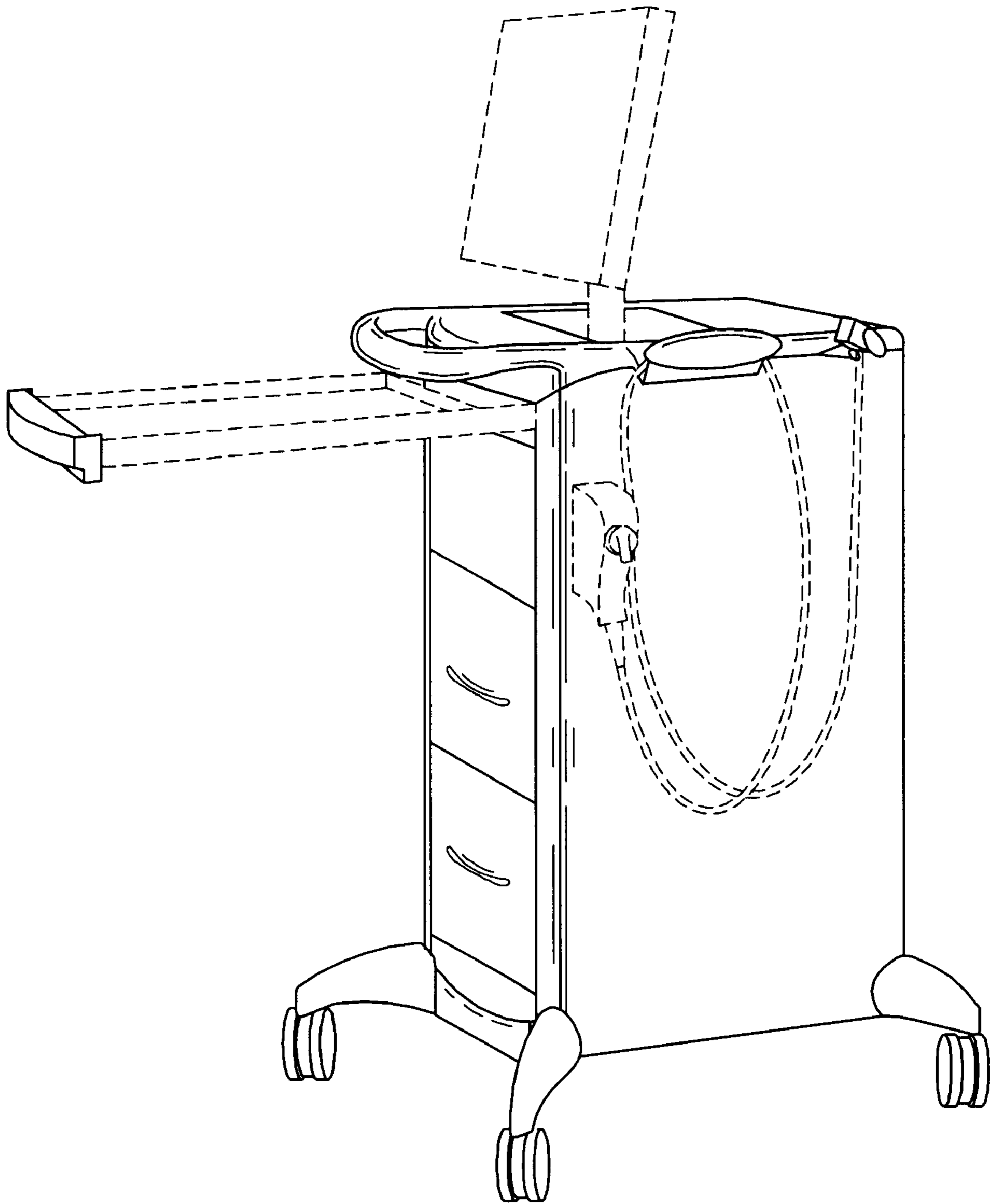


Fig 7

UNITED STATES PATENT AND TRADEMARK OFFICE  
**CERTIFICATE OF CORRECTION**

PATENT NO. : Des. 472,635 S  
DATED : April 1, 2003  
INVENTOR(S) : Bradley J. Stringer et al.

Page 1 of 1

It is certified that error appears in the above-identified patent and that said Letters Patent is hereby corrected as shown below:

Title page,

Item [57], **CLAIM,**

Line 1, change "showng" to -- shown --

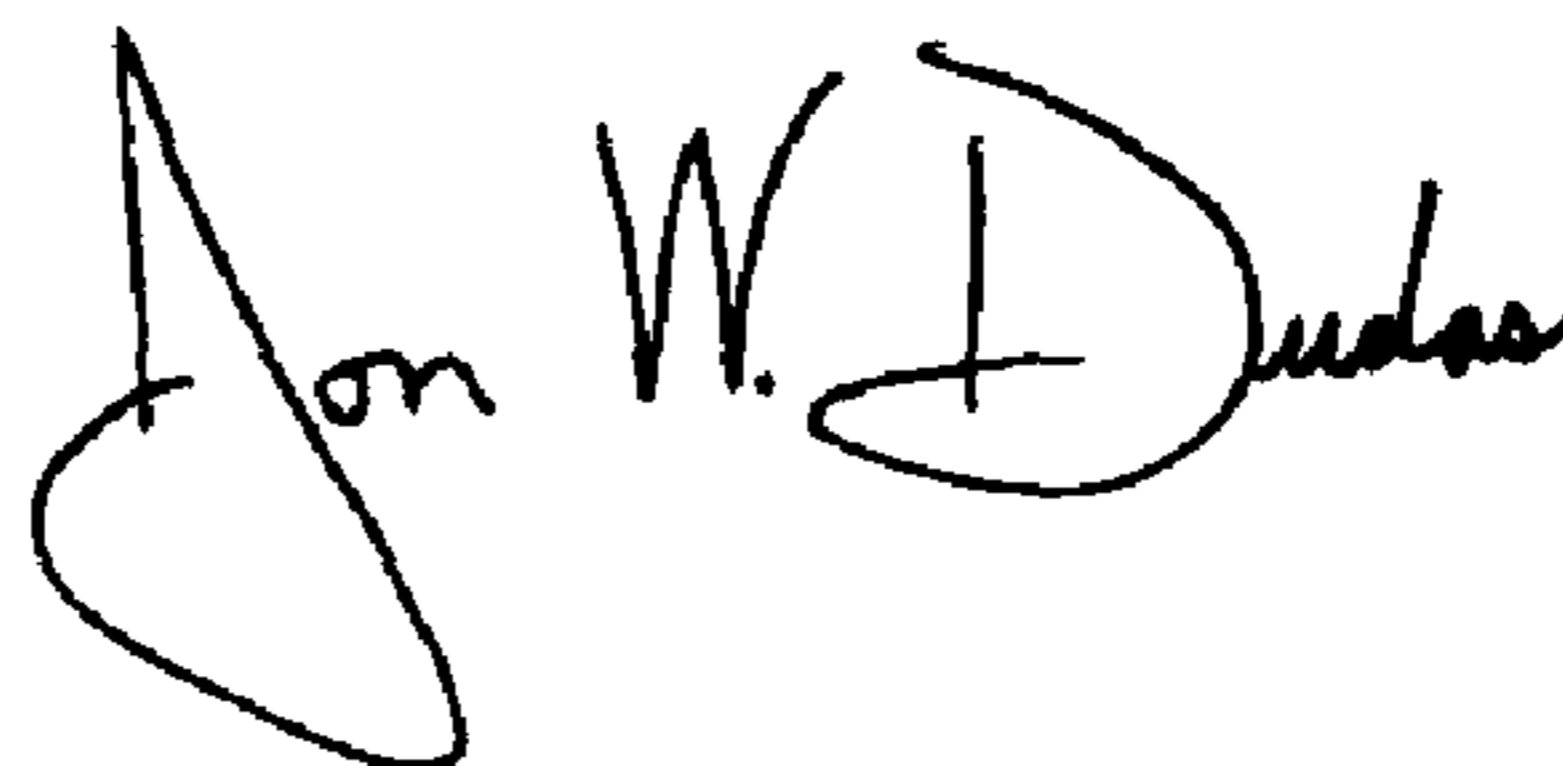
**DESCRIPTION,**

Line 1, change "showin" to -- showing --

Line 7, delete the comma after "and"

Signed and Sealed this

Second Day of November, 2004

A handwritten signature in black ink that reads "Jon W. Dudas". The signature is written in a cursive style with a large, stylized initial "J".

JON W. DUDAS

*Director of the United States Patent and Trademark Office*