



US00D472630S

(12) **United States Design Patent**
Douglas et al.

(10) **Patent No.:** **US D472,630 S**

(45) **Date of Patent:** **** Apr. 1, 2003**

(54) **PEN NEEDLE CATHETER CONNECTOR**

(75) **Inventors:** **Joel S. Douglas**, Groton, CT (US);
Robert L. Hugo, Gilroy, CA (US);
Christopher John Ruf, Atlanta, GA (US)

(73) **Assignee:** **Sterling Medivations, Inc.**, Norcross, GA (US)

(**) **Term:** **14 Years**

(21) **Appl. No.:** **29/159,820**

(22) **Filed:** **Apr. 30, 2002**

(51) **LOC (7) Cl.** **24-02**

(52) **U.S. Cl.** **D24/129; D24/108; D24/130**

(58) **Field of Search** **D24/112, 129, D24/130, 108; 604/244, 905, 539, 533, 538, 192**

(56) **References Cited**

U.S. PATENT DOCUMENTS

D267,199 S 12/1982 Koenig
4,505,709 A 3/1985 Froning et al.

D303,013 S 8/1989 Konopka
4,950,260 A * 8/1990 Bonaldo 604/535
5,292,308 A * 3/1994 Ryan 604/535
5,334,188 A * 8/1994 Inoue et al. 604/905
5,344,417 A 9/1994 Wadsworth, Jr.
5,405,340 A 4/1995 Fageol et al.
D427,308 S 6/2000 Zinger
D445,501 S 7/2001 Niedospial, Jr.

* cited by examiner

Primary Examiner—Ian Simmons

(74) *Attorney, Agent, or Firm*—Burns, Doane, Swecker & Mathis LLP

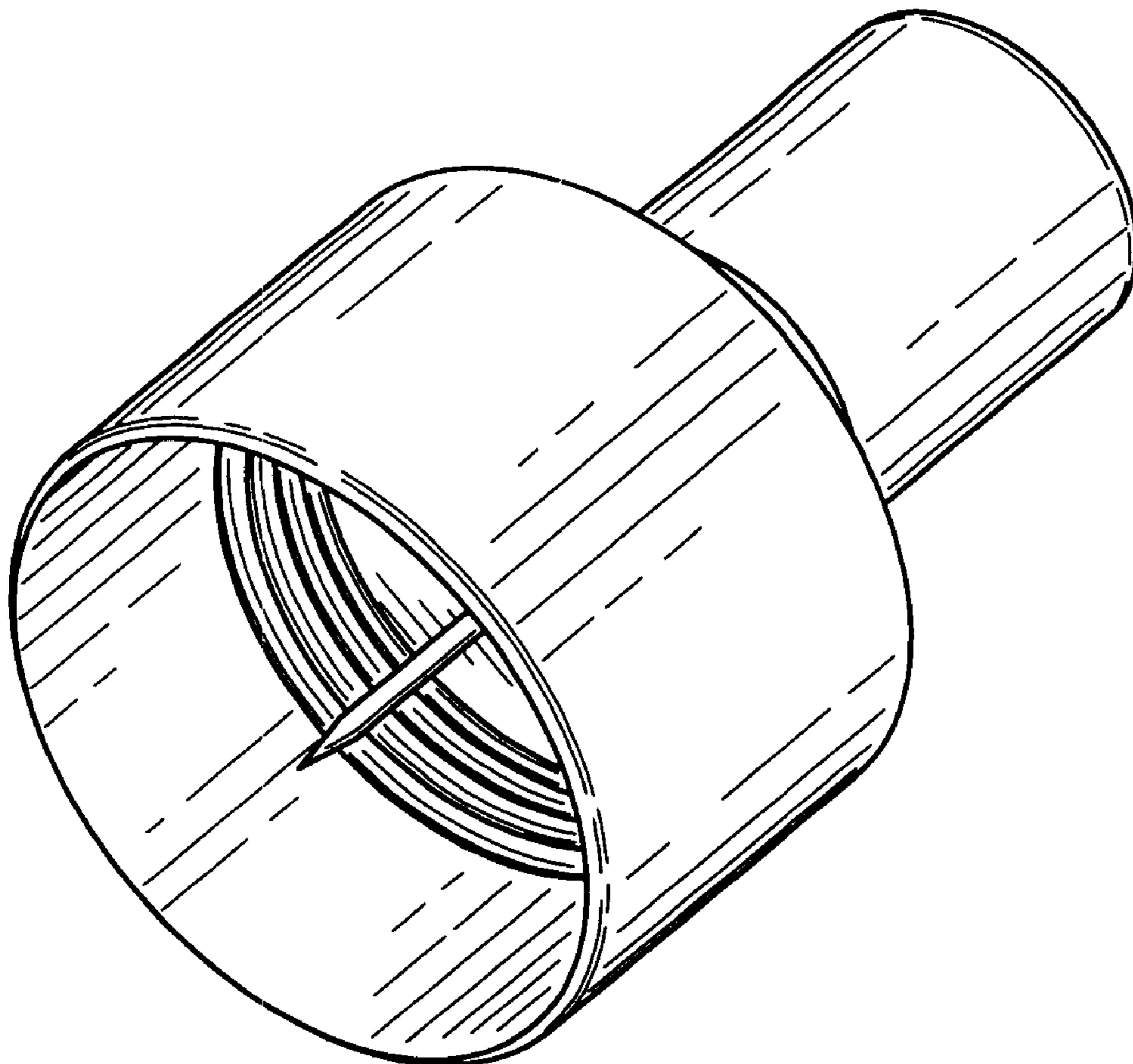
(57) **CLAIM**

The ornamental design for a pen needle catheter connector, as shown and described.

DESCRIPTION

FIG. 1 is a front perspective view;
FIG. 2 is a rear perspective view;
FIG. 3 is a top plan view;
FIG. 4 is a rear elevation view; and,
FIG. 5 is a front elevation view.

1 Claim, 2 Drawing Sheets



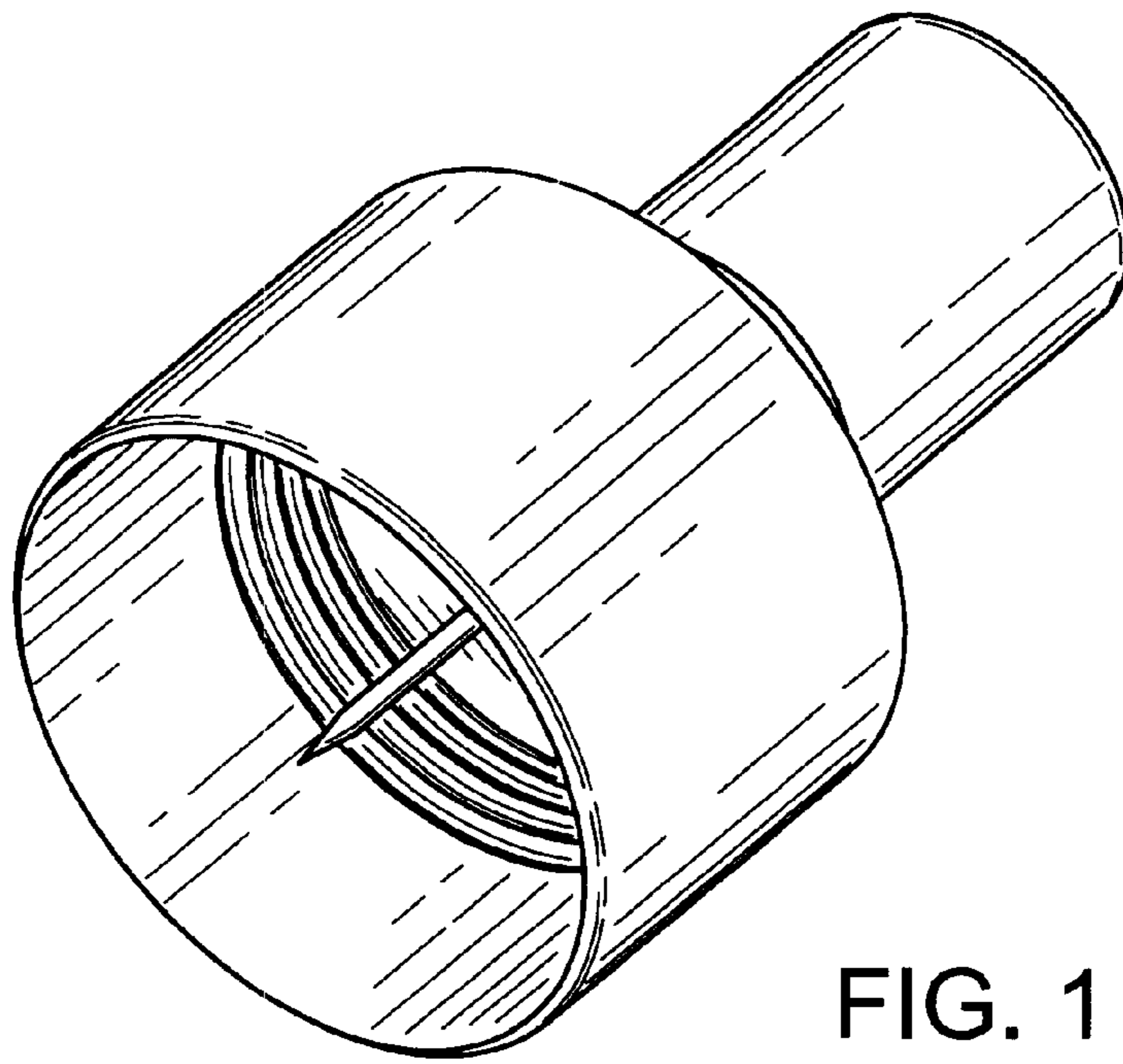


FIG. 1

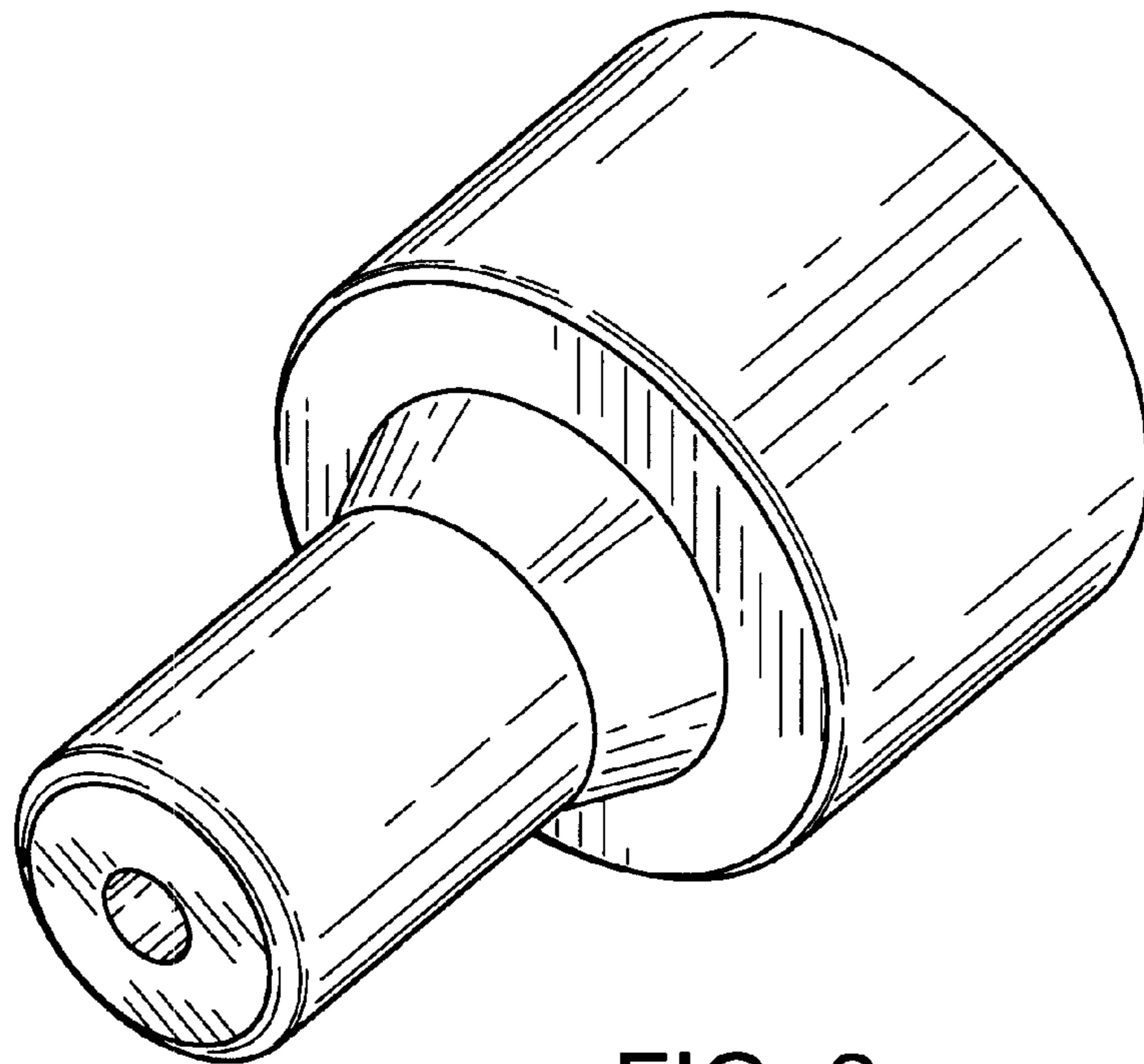


FIG. 2

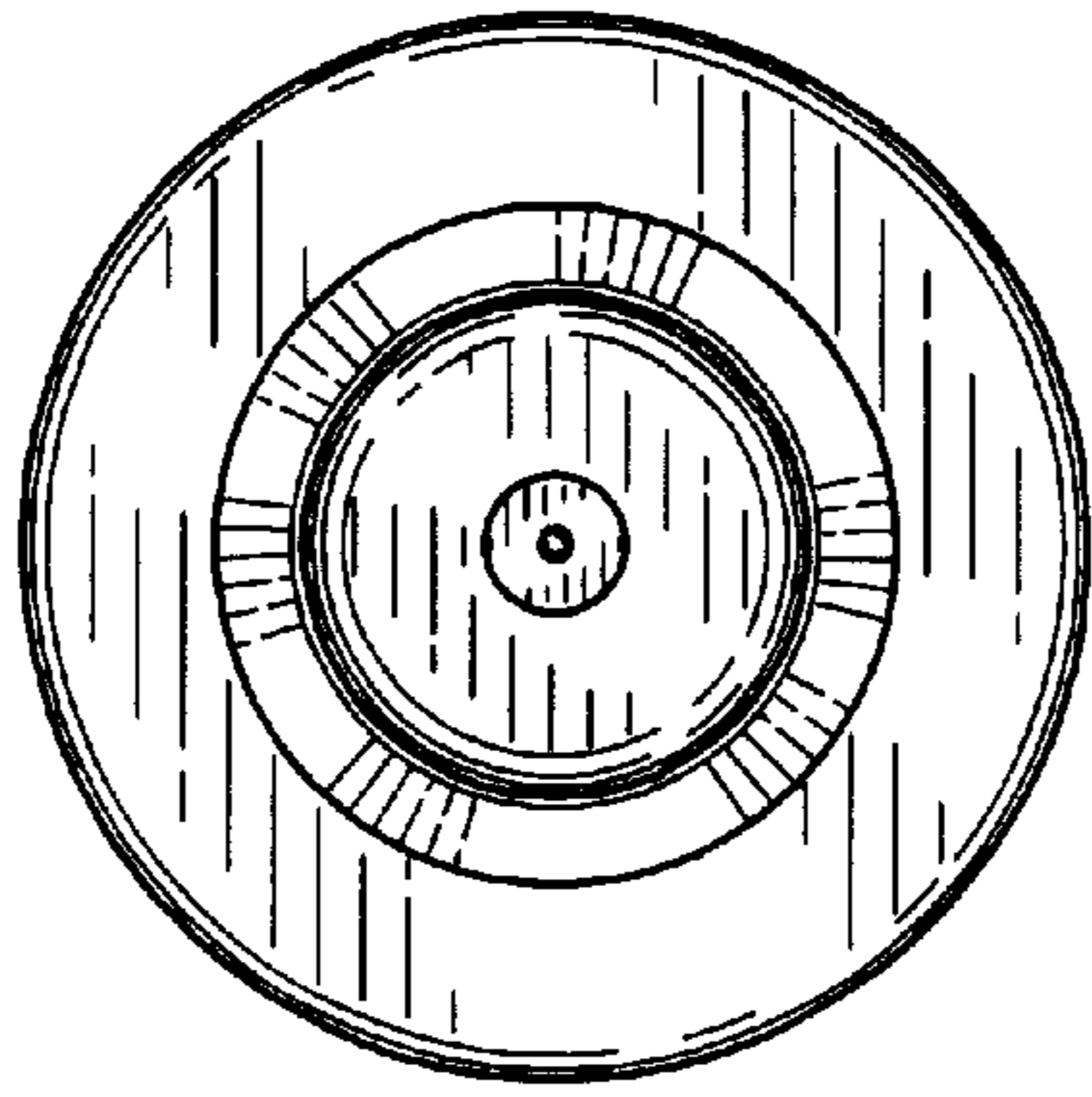


FIG. 4

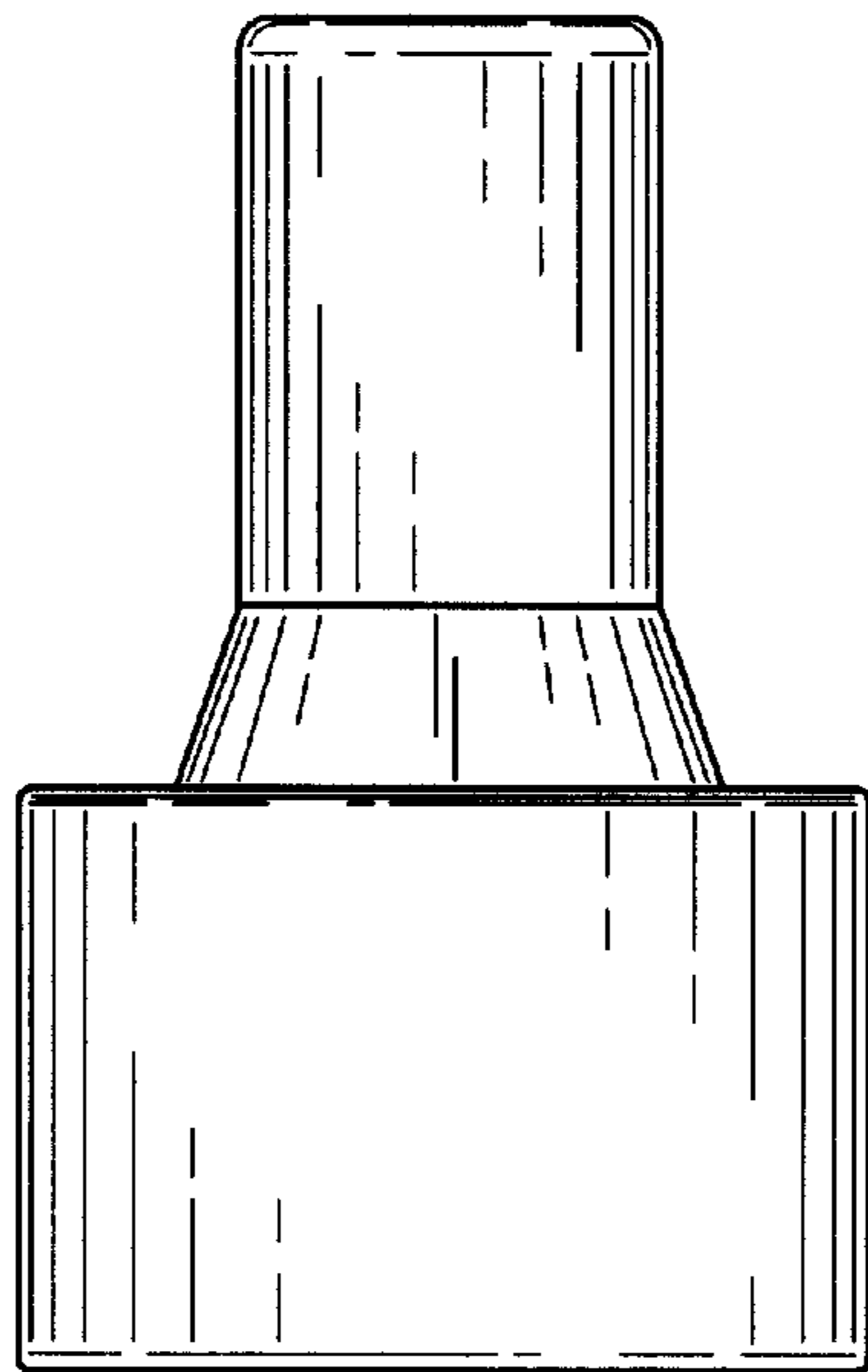


FIG. 3

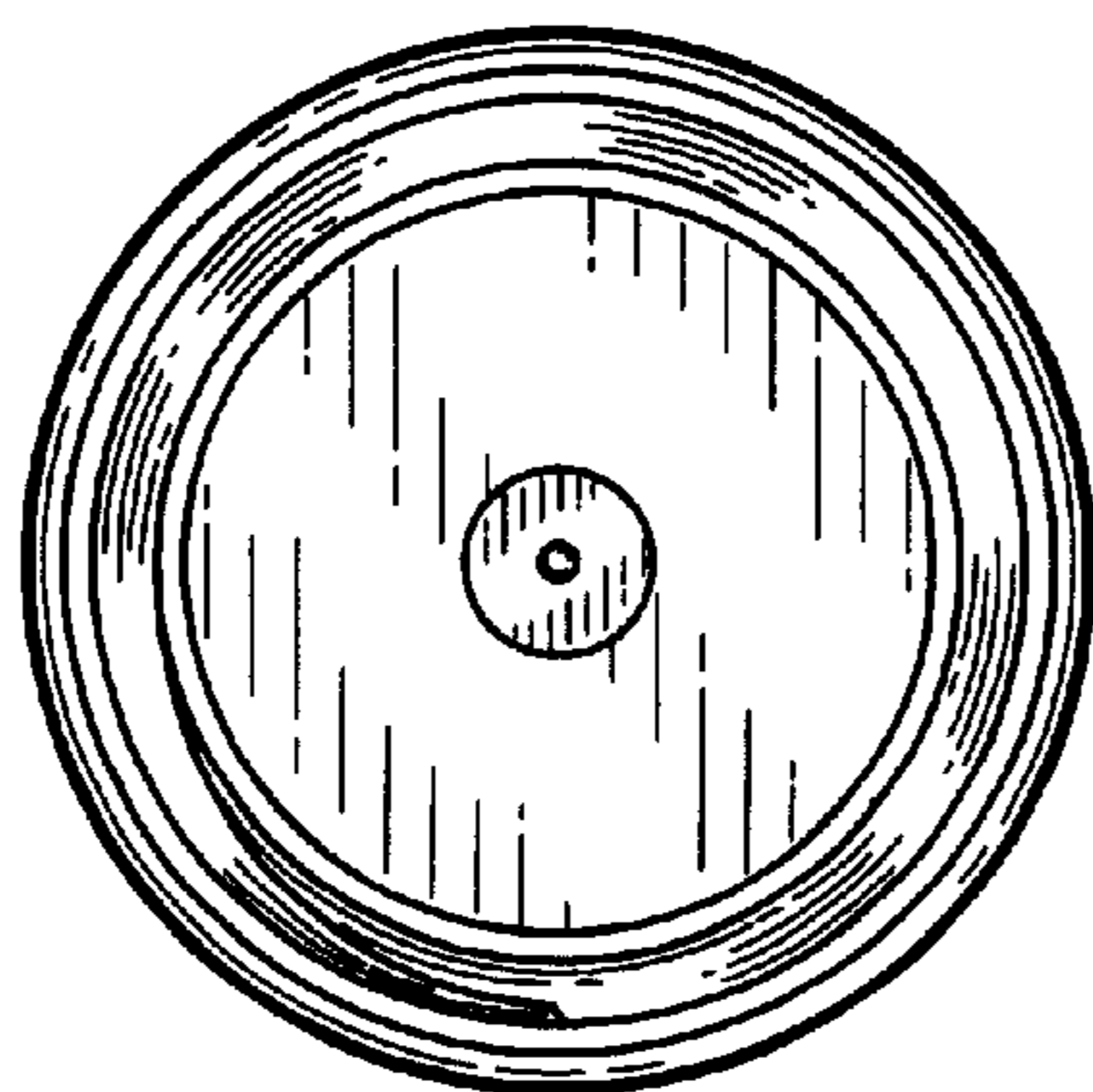


FIG. 5