



US00D472628S

(12) **United States Design Patent**  
**Hirayama et al.**

(10) **Patent No.:** **US D472,628 S**

(45) **Date of Patent:** **\*\* Apr. 1, 2003**

(54) **DENTAL DRUG SYRINGE**

(75) Inventors: **Toshikazu Hirayama**, Osaka (JP);  
**Shuji Hasegawa**, Osaka (JP); **Toshio Tochiyama**, Osaka (JP); **Seiji Tokuoka**, Hirakata (JP); **Tooru Eguchi**, Takatsuki (JP); **Junko Yoneda**, Ibaraki (JP)

(73) Assignees: **Nipro Corporation**, Osaka (JP);  
**Sunstar Inc.**, Takasuki (JP)

(\*\*) Term: **14 Years**

(21) Appl. No.: **29/150,790**

(22) Filed: **Nov. 30, 2001**

(51) **LOC (7) Cl.** ..... **24-02**

(52) **U.S. Cl.** ..... **D24/114**

(58) **Field of Search** ..... D24/114, 112,  
D24/152, 113; 604/232, 2, 240, 218, 311;  
433/90, 89, 83

(56) **References Cited**

**U.S. PATENT DOCUMENTS**

3,026,616 A \* 3/1962 Clark ..... 433/90

5,324,273 A \* 6/1994 Discsko, Jr. .... 604/240  
6,095,814 A \* 8/2000 Petrich et al. .... 433/90  
6,238,212 B1 \* 5/2001 Khachatoorian et al. .... 433/89

\* cited by examiner

*Primary Examiner*—Ian Simmons

(74) *Attorney, Agent, or Firm*—Armstrong, Westerman & Hattori, LLP

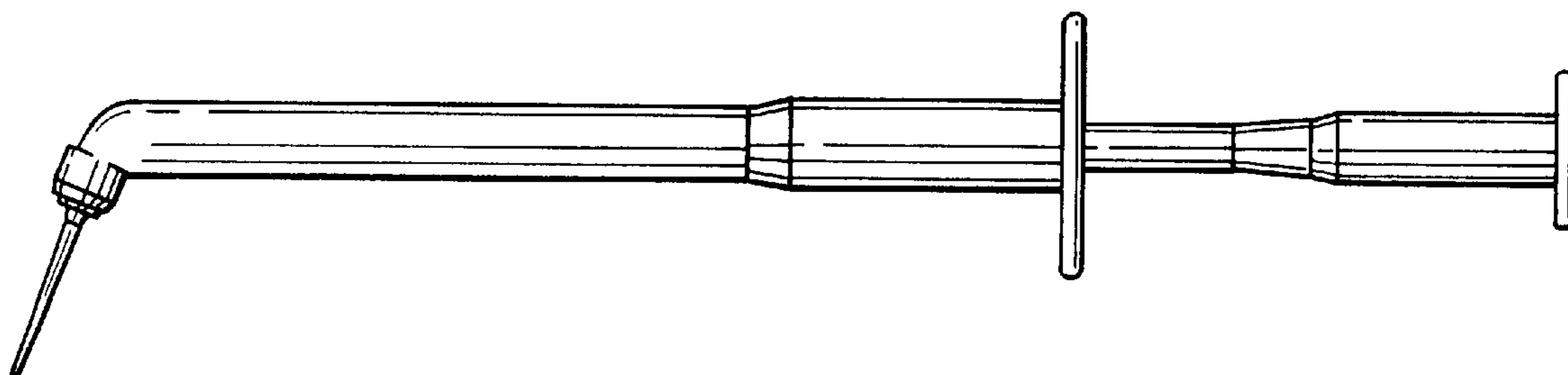
(57) **CLAIM**

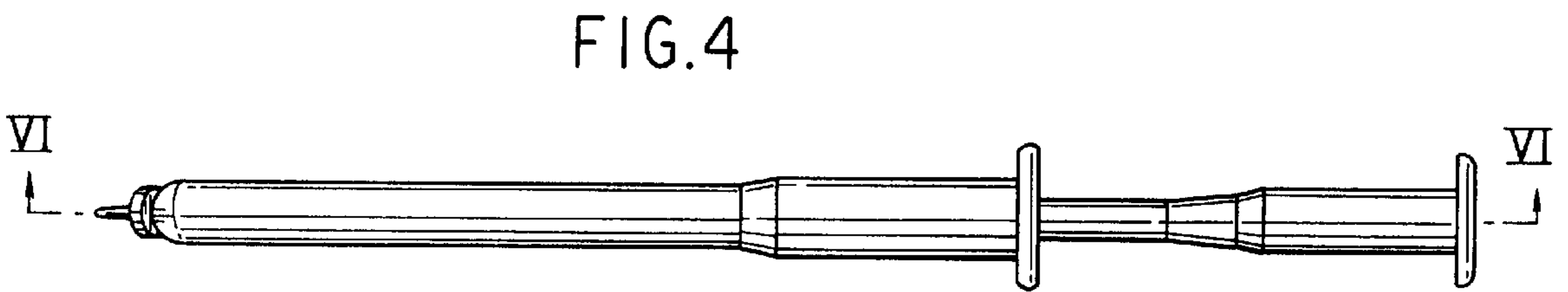
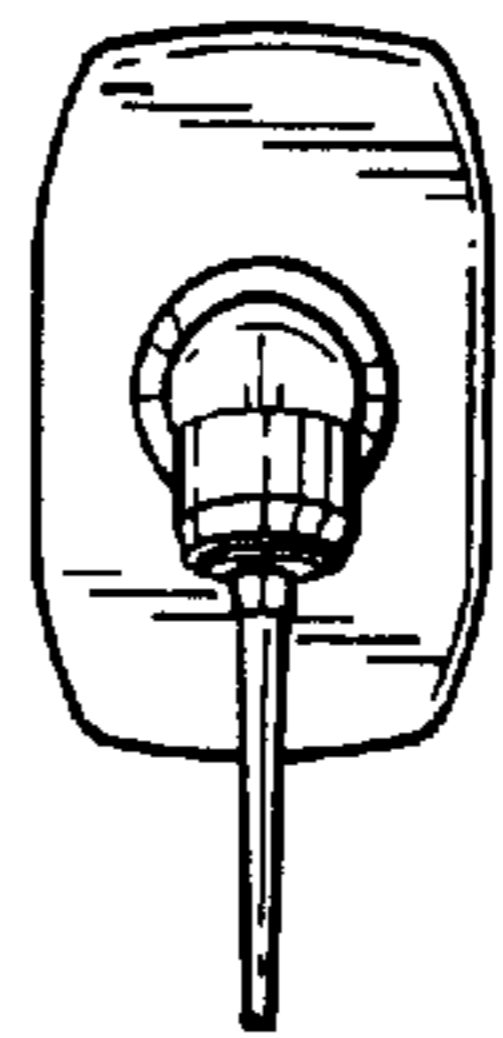
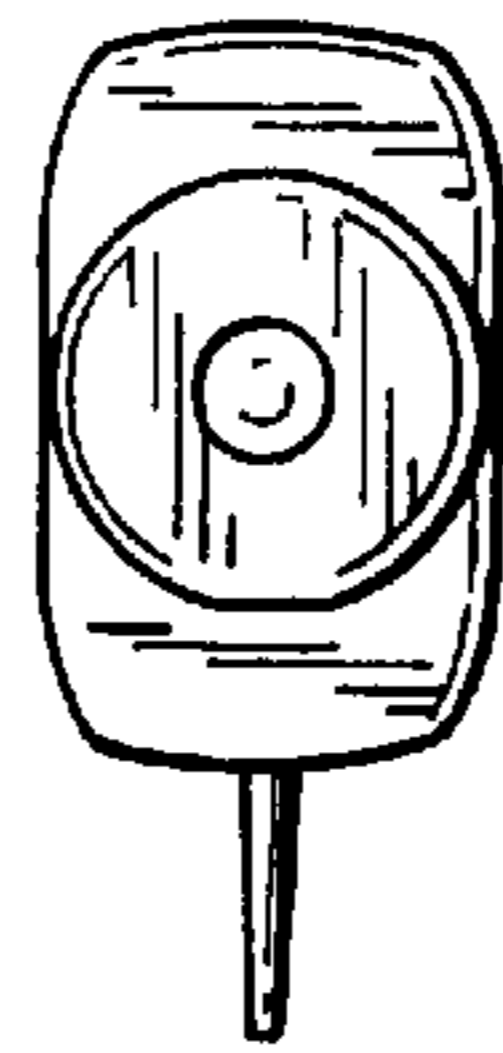
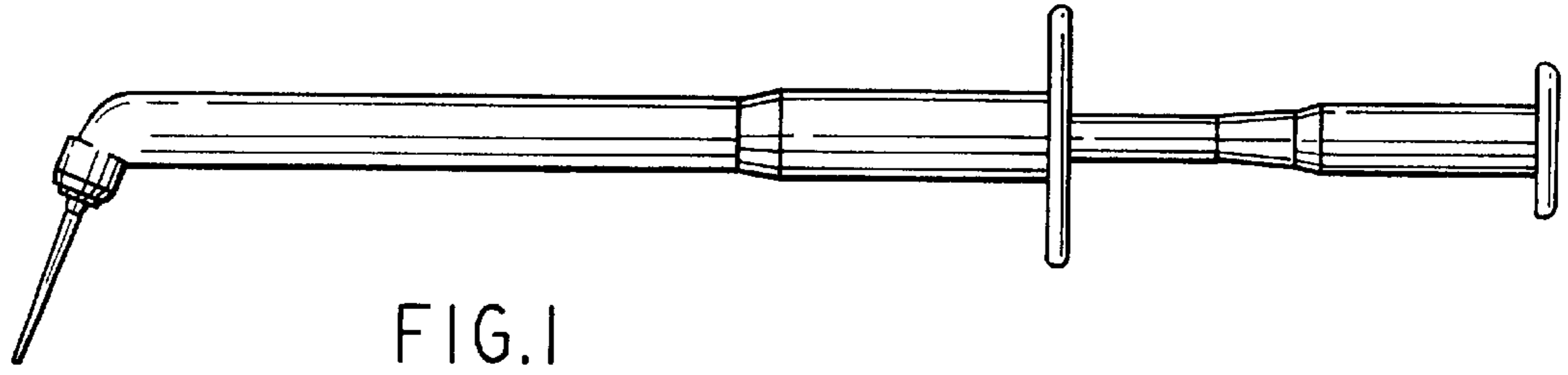
The ornamental design for a dental drug syringe, as shown and described.

**DESCRIPTION**

FIG. 1 is a side view of the dental drug syringe of the present invention;  
FIG. 2 is a rear view;  
FIG. 3 is a front view;  
FIG. 4 is a top view;  
FIG. 5 is a bottom view;  
FIG. 6 is a cross-sectional view taken along lines VI—VI of FIG. 4; and,  
FIG. 7 is an enlarged view of the tip section of FIG. 6.

**1 Claim, 2 Drawing Sheets**





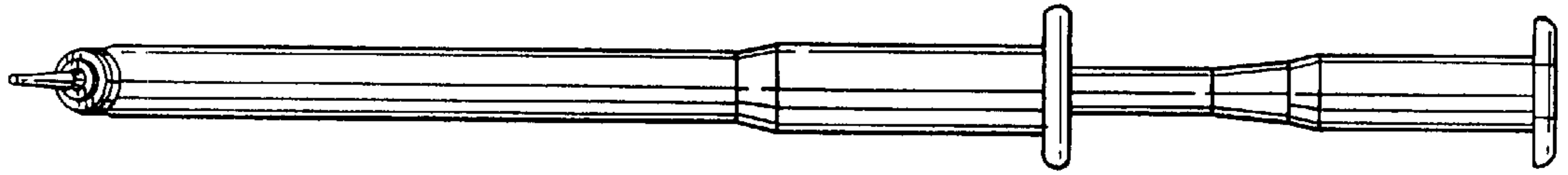


FIG. 5

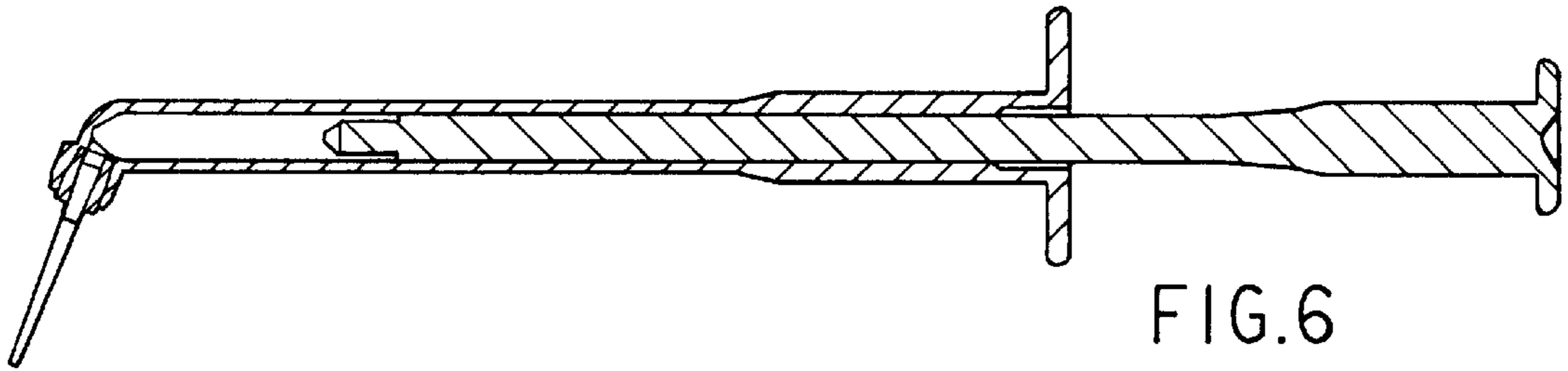


FIG. 6

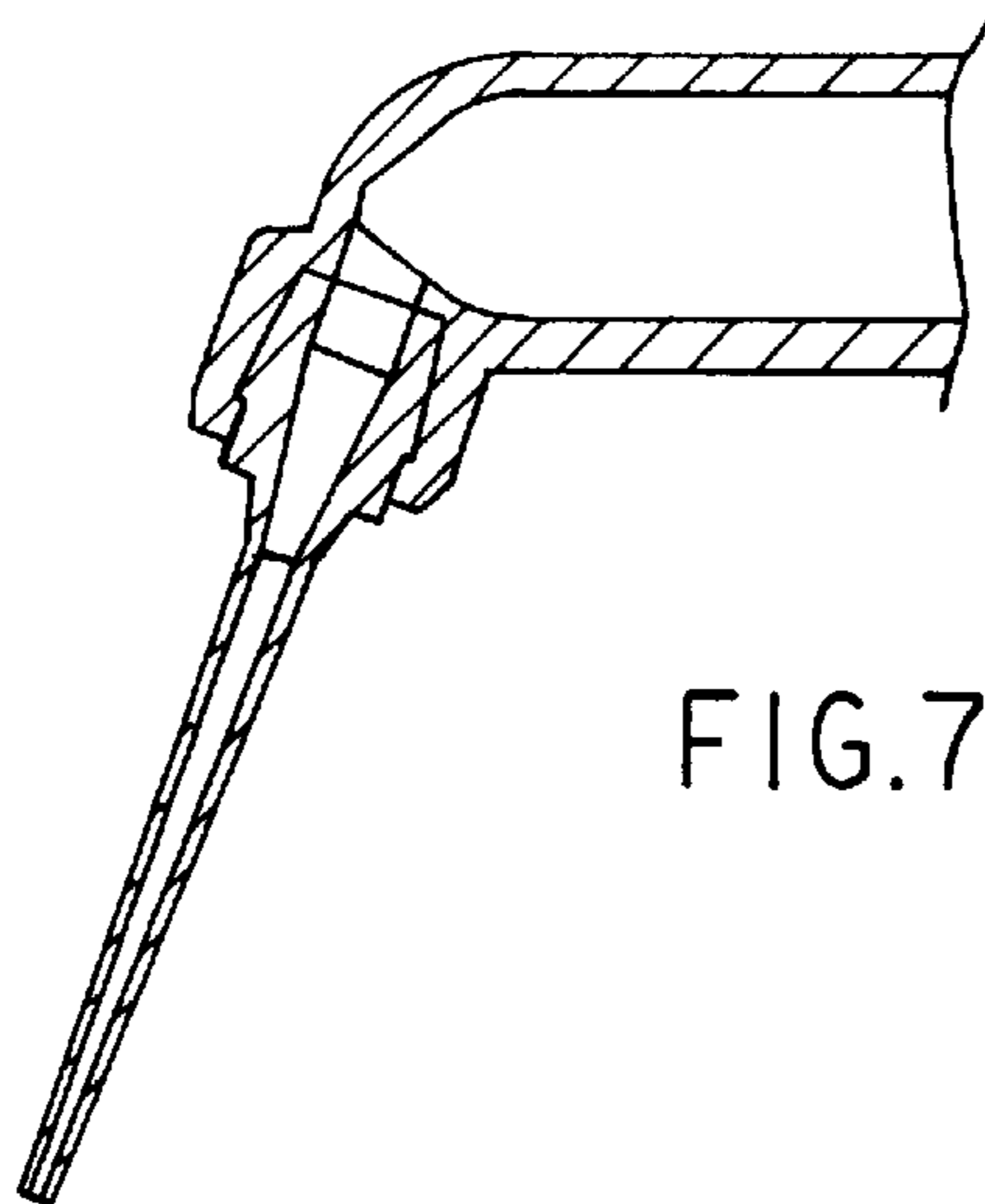


FIG. 7