



US00D472627S

(12) **United States Design Patent**
Falco

(10) **Patent No.:** **US D472,627 S**

(45) **Date of Patent:** **** Apr. 1, 2003**

(54) **EARPLUG**

(75) **Inventor:** **Robert N. Falco**, Indianapolis, IN (US)

(73) **Assignee:** **Cabot Safety Intermediate Corporation**, Newark, DE (US)

(**) **Term:** **14 Years**

(21) **Appl. No.:** **29/149,766**

(22) **Filed:** **Oct. 16, 2001**

(51) **LOC (7) Cl.** **24-04**

(52) **U.S. Cl.** **D24/106**

(58) **Field of Search** D24/106; 128/864,
128/866, 865; 181/135, 129, 131, 130

(56) **References Cited**

U.S. PATENT DOCUMENTS

2,246,736 A	6/1941	Knudsen	128/152
2,538,339 A	1/1951	Thomas	128/151
2,573,923 A	11/1951	Mezz	128/151
2,934,160 A	4/1960	Touson	181/23
D195,322 S	* 5/1963	Hill	D24/106
3,800,791 A	4/1974	Visor	128/152
D253,723 S	12/1979	Leight	D24/4
4,219,018 A	8/1980	Draper, Jr.	128/152
4,461,290 A	7/1984	Gardner, Jr. et al.	128/152
D298,356 S	* 11/1988	Falco	D24/106
4,936,411 A	* 6/1990	Leonard	181/135
5,074,375 A	12/1991	Grozil	181/135
5,249,309 A	10/1993	Berg et al.	2/209
D375,551 S	11/1996	Esler et al.	D24/106
5,819,745 A	* 10/1998	Mobley et al.	128/864
5,957,136 A	9/1999	Magidson et al.	128/864
5,988,313 A	11/1999	Hakansson	181/135

6,021,526 A	* 2/2000	Falco et al	128/866
6,056,082 A	* 5/2000	Lindgren et al.	128/864
D435,645 S	* 12/2000	Westerdal	D24/106
D436,164 S	* 1/2001	Foslien	D24/106
D445,893 S	* 7/2001	Remer et al.	D24/106

FOREIGN PATENT DOCUMENTS

DE	33 04362 A1	8/1984
DE	35 36793 A1	4/1987
JP	08275298 A	10/1996

* cited by examiner

Primary Examiner—Ian Simmons

(74) *Attorney, Agent, or Firm*—Cantor Colburn LLP

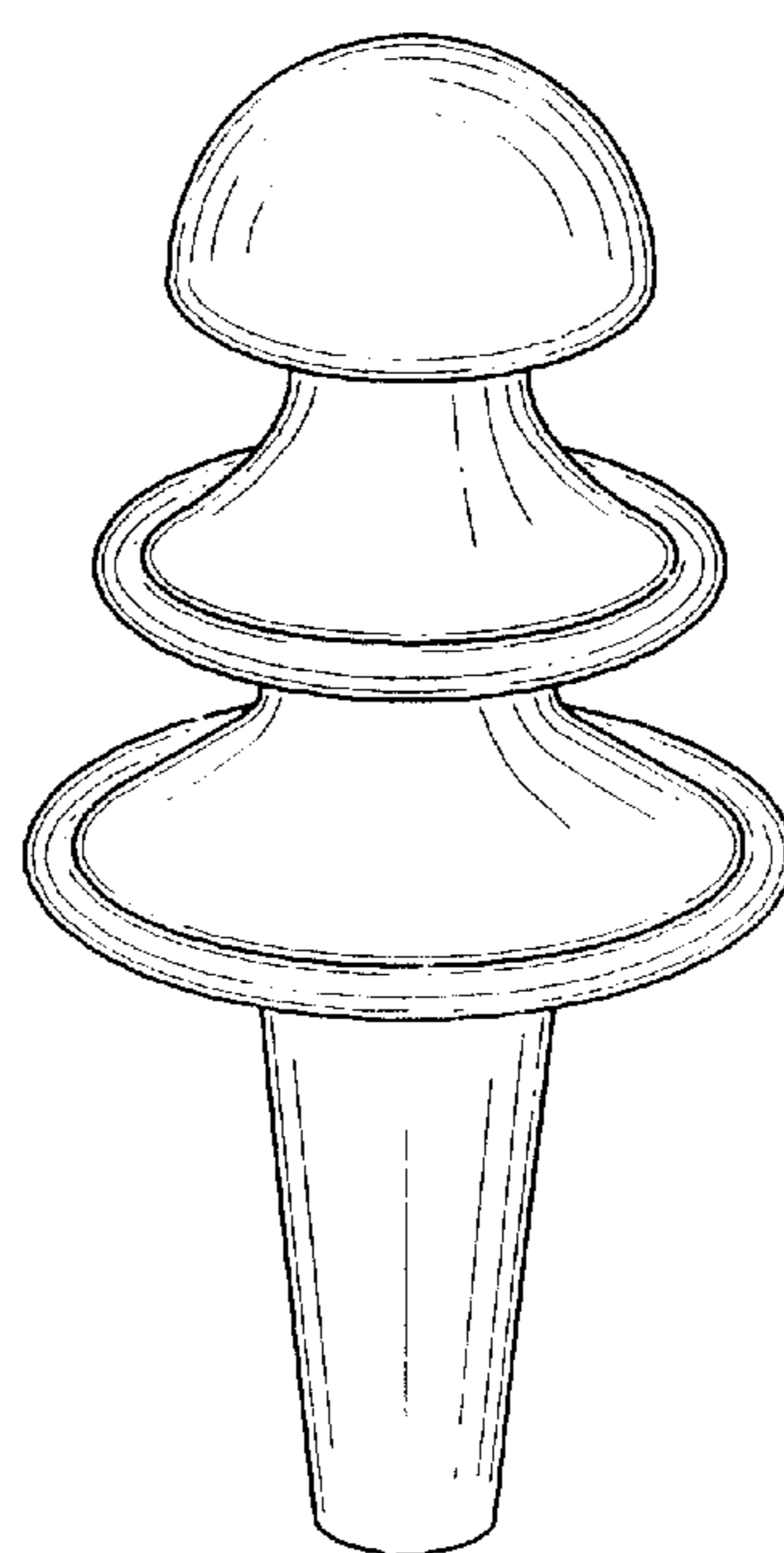
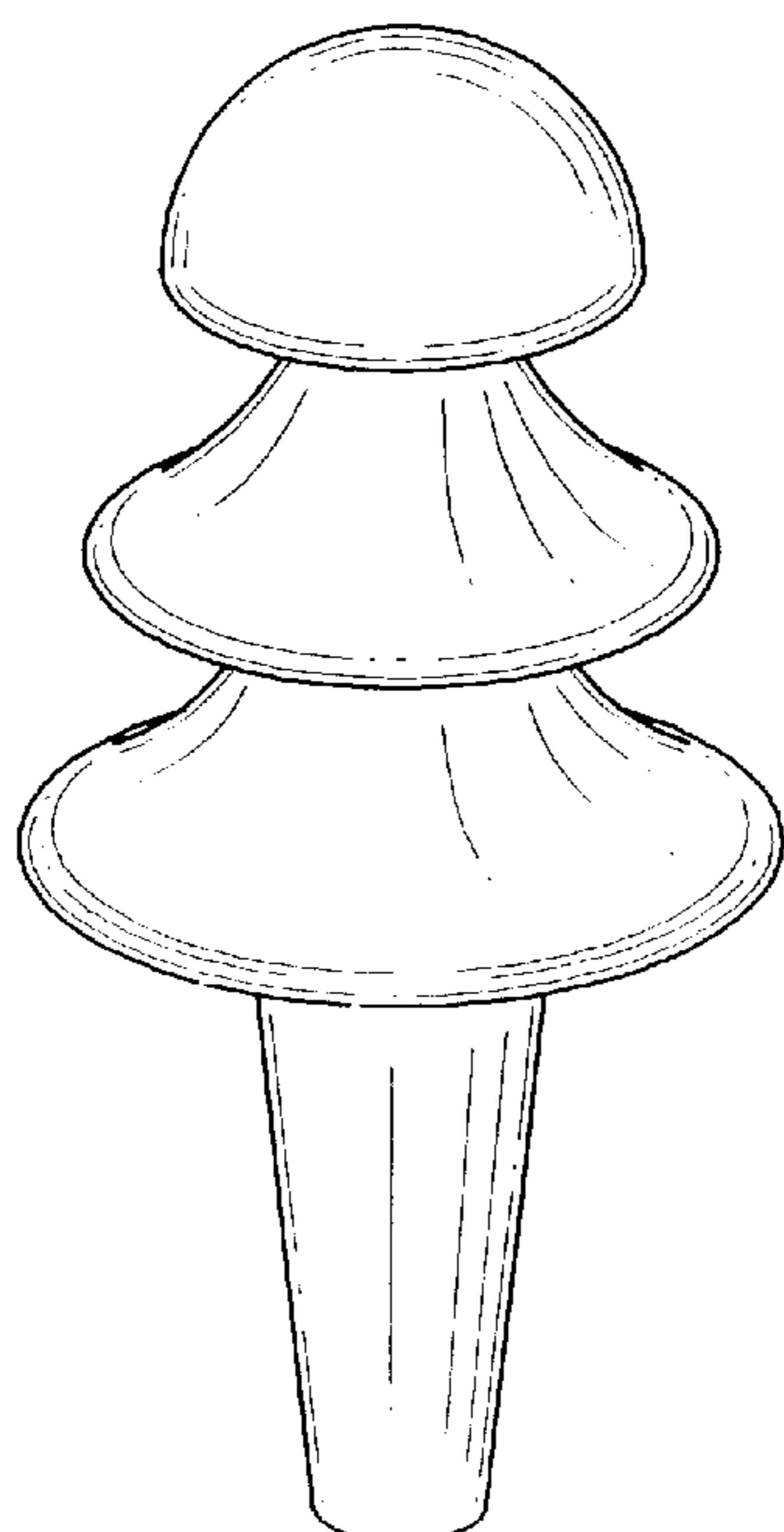
(57) **CLAIM**

The ornamental design for an earplug, as shown and described.

DESCRIPTION

FIG. 1 is a side elevational view of an earplug showing my new design;
 FIG. 2 is a top plan view thereof;
 FIG. 3 is a right side perspective view thereof;
 FIG. 4 is a left side perspective view thereof;
 FIG. 5 is a front corner perspective view thereof;
 FIG. 6 is an end perspective view thereof;
 FIG. 7 a is a side elevational view of a second embodiment of an earplug showing my new design;
 FIG. 8 is a top plan view thereof;
 FIG. 9 is a right side perspective view thereof;
 FIG. 10 is a left side perspective view thereof;
 FIG. 11 is a front, corner perspective view thereof; and,
 FIG. 12 is an end perspective view thereof.

1 Claim, 2 Drawing Sheets



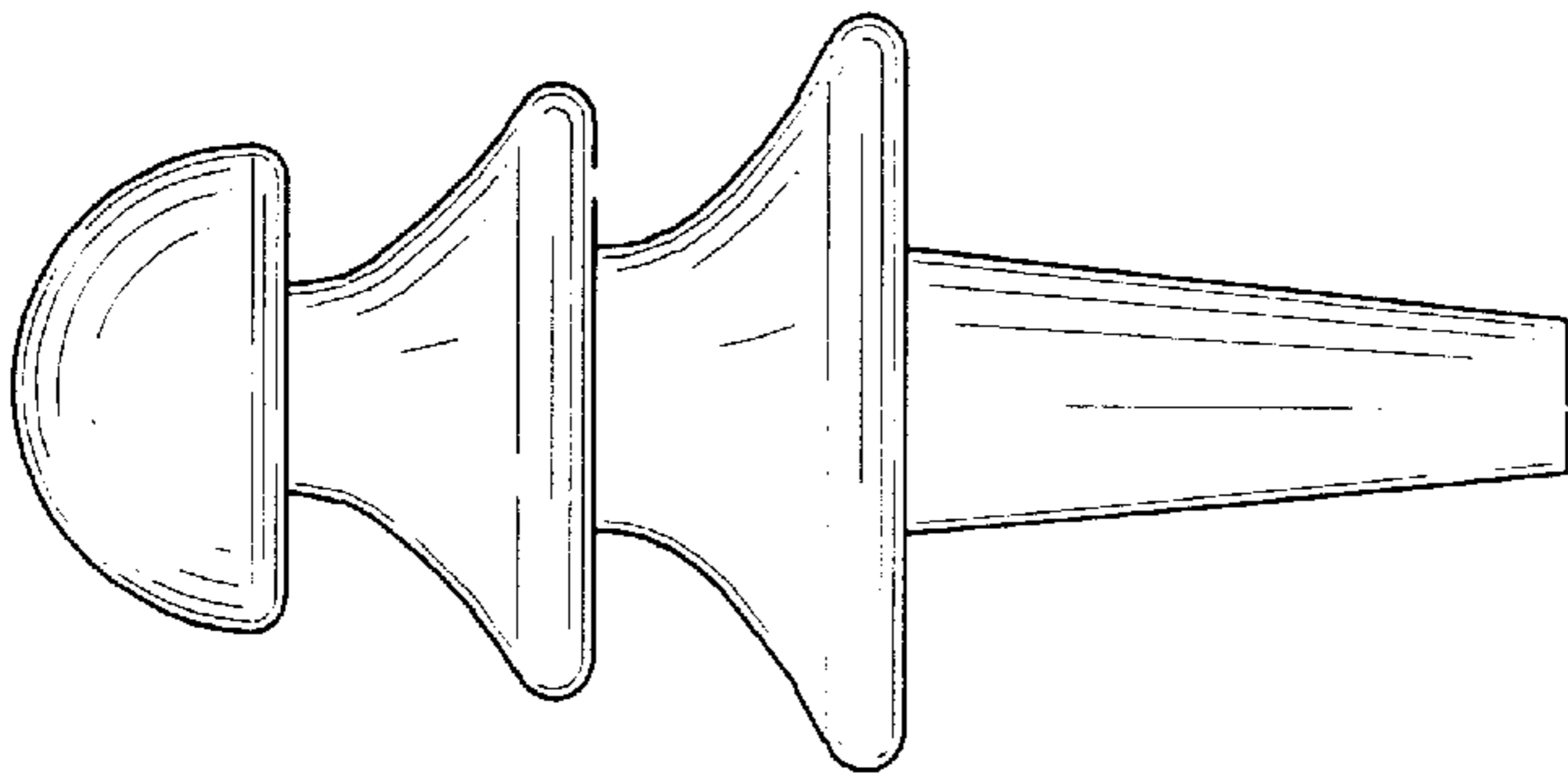


FIG. 1

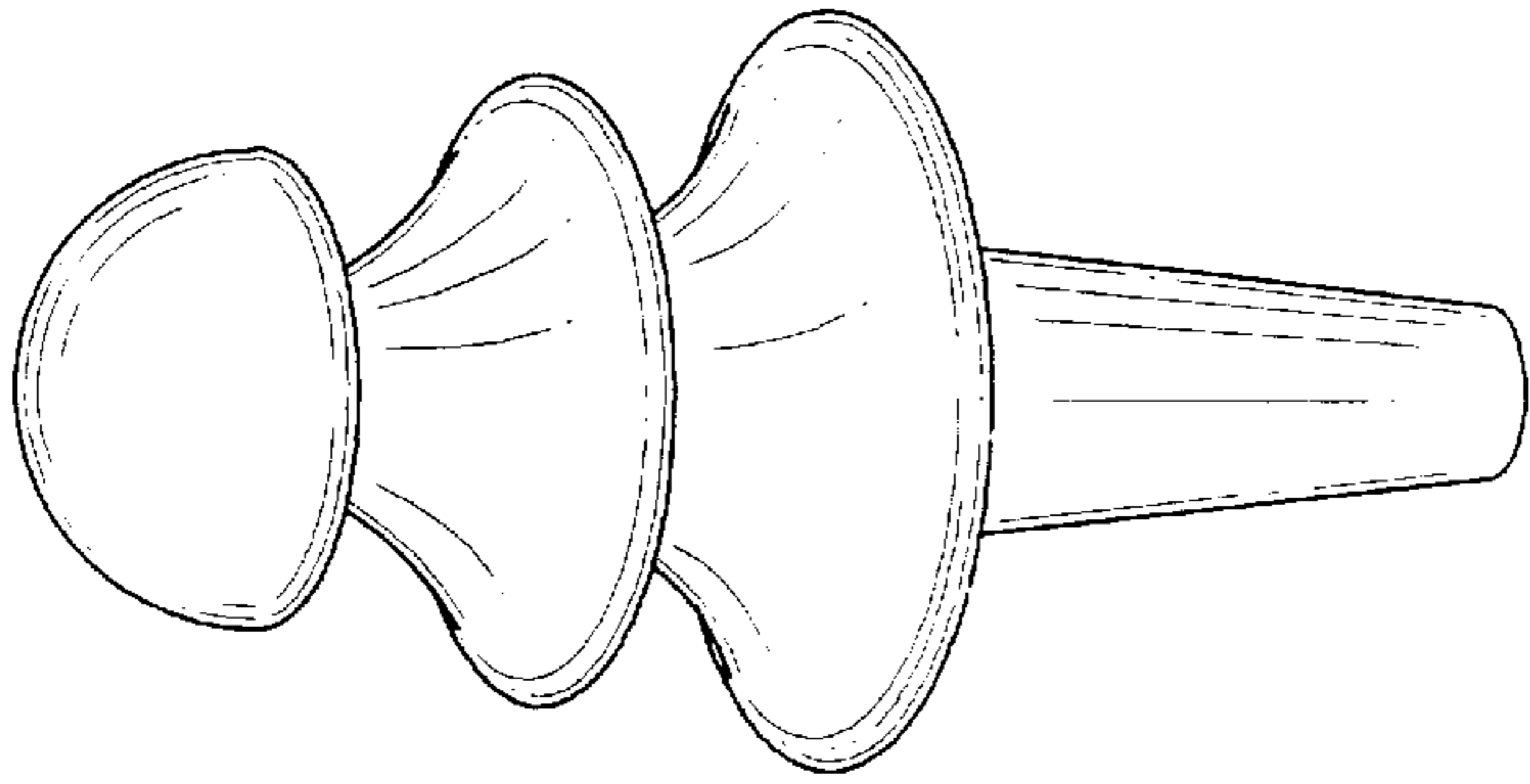


FIG. 5

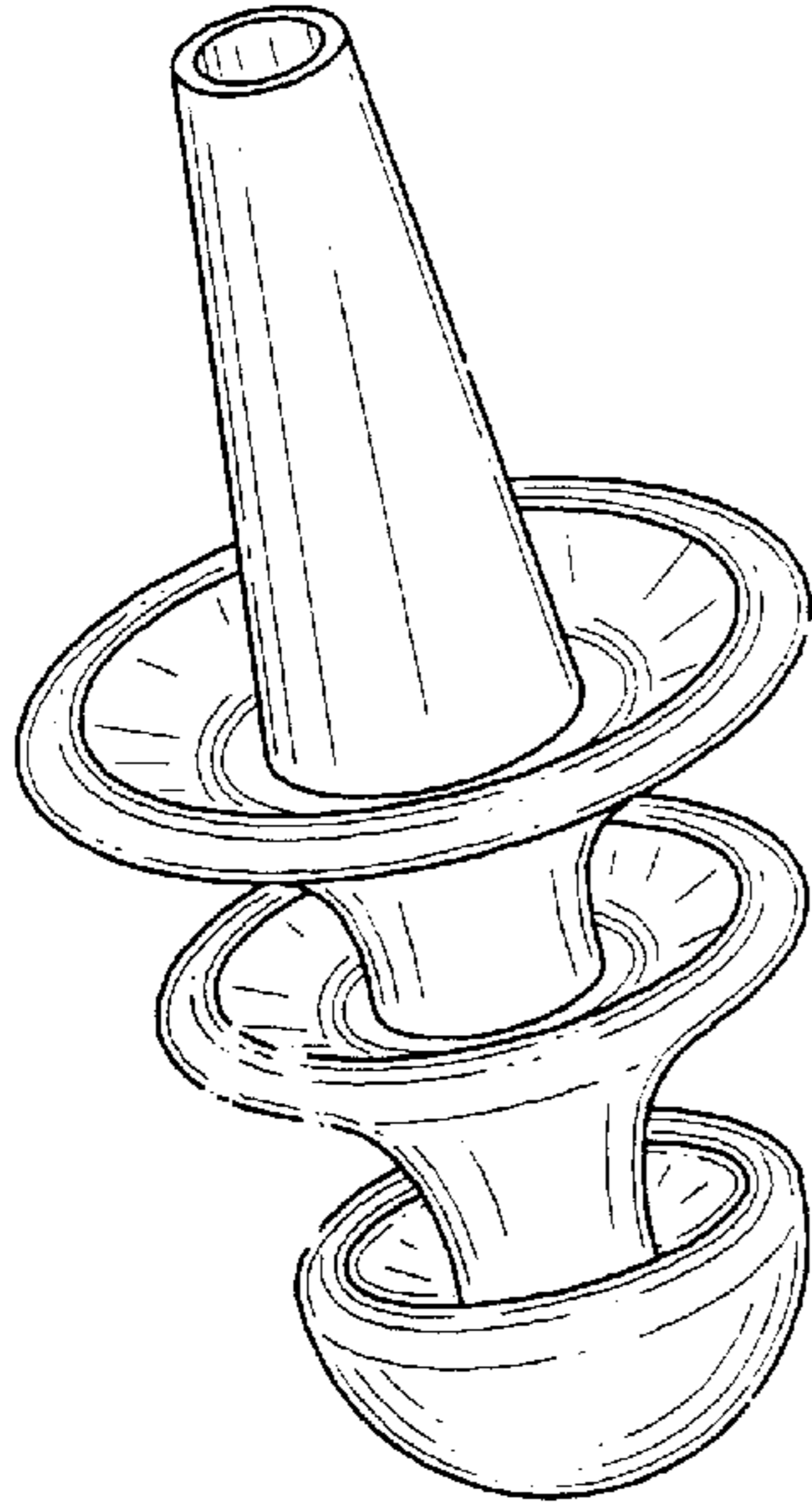


FIG. 3

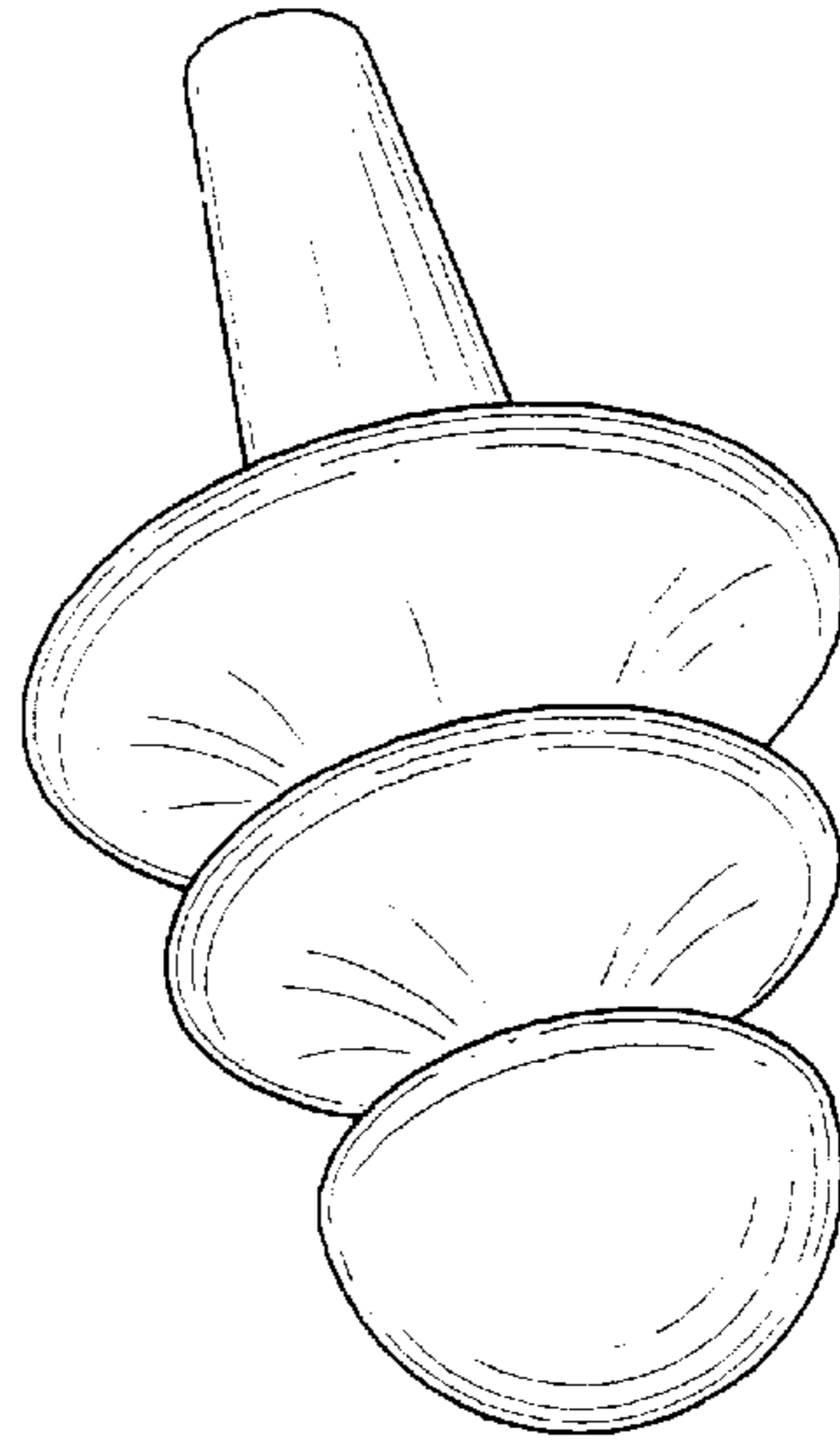


FIG. 4

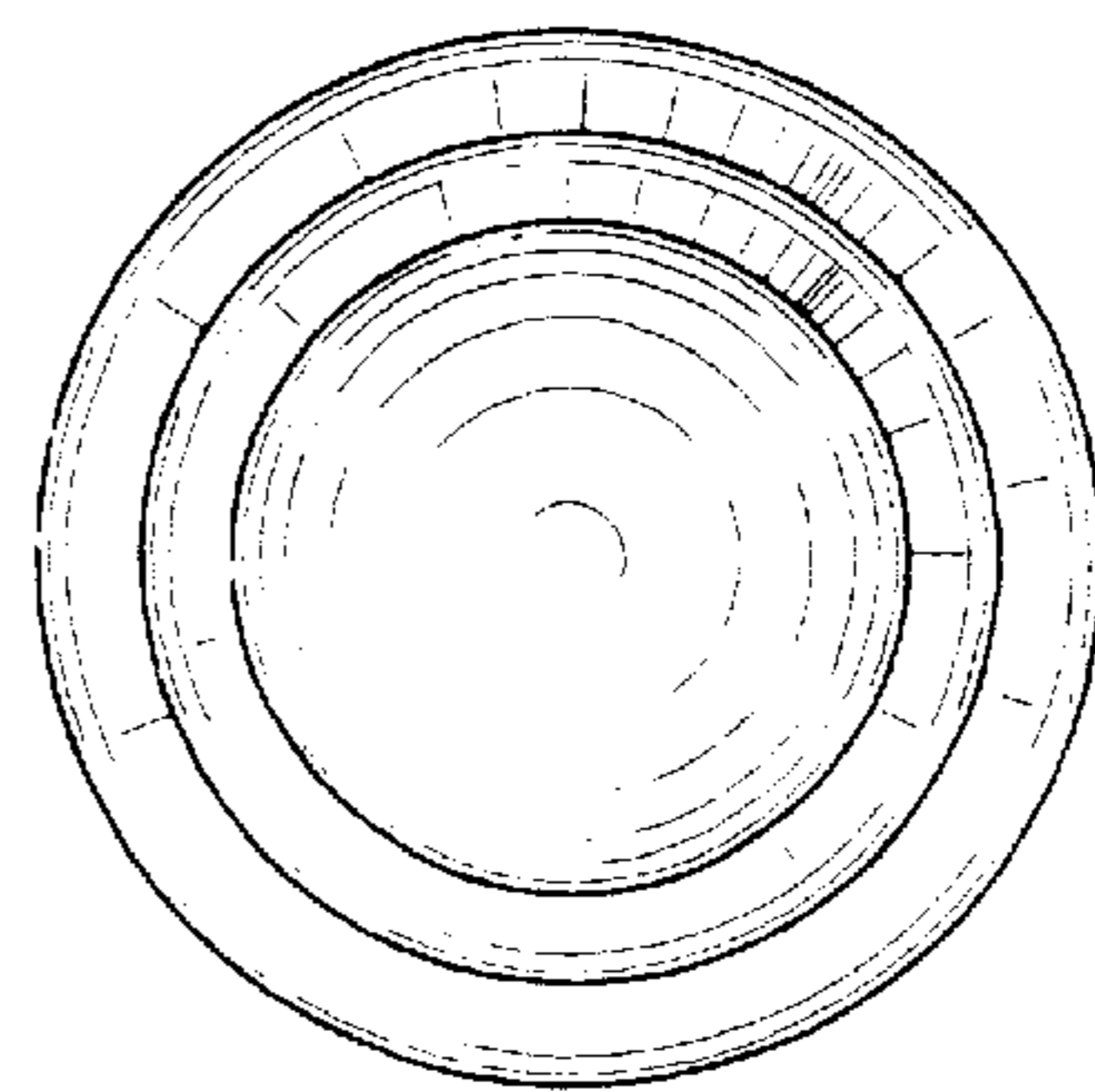


FIG. 2

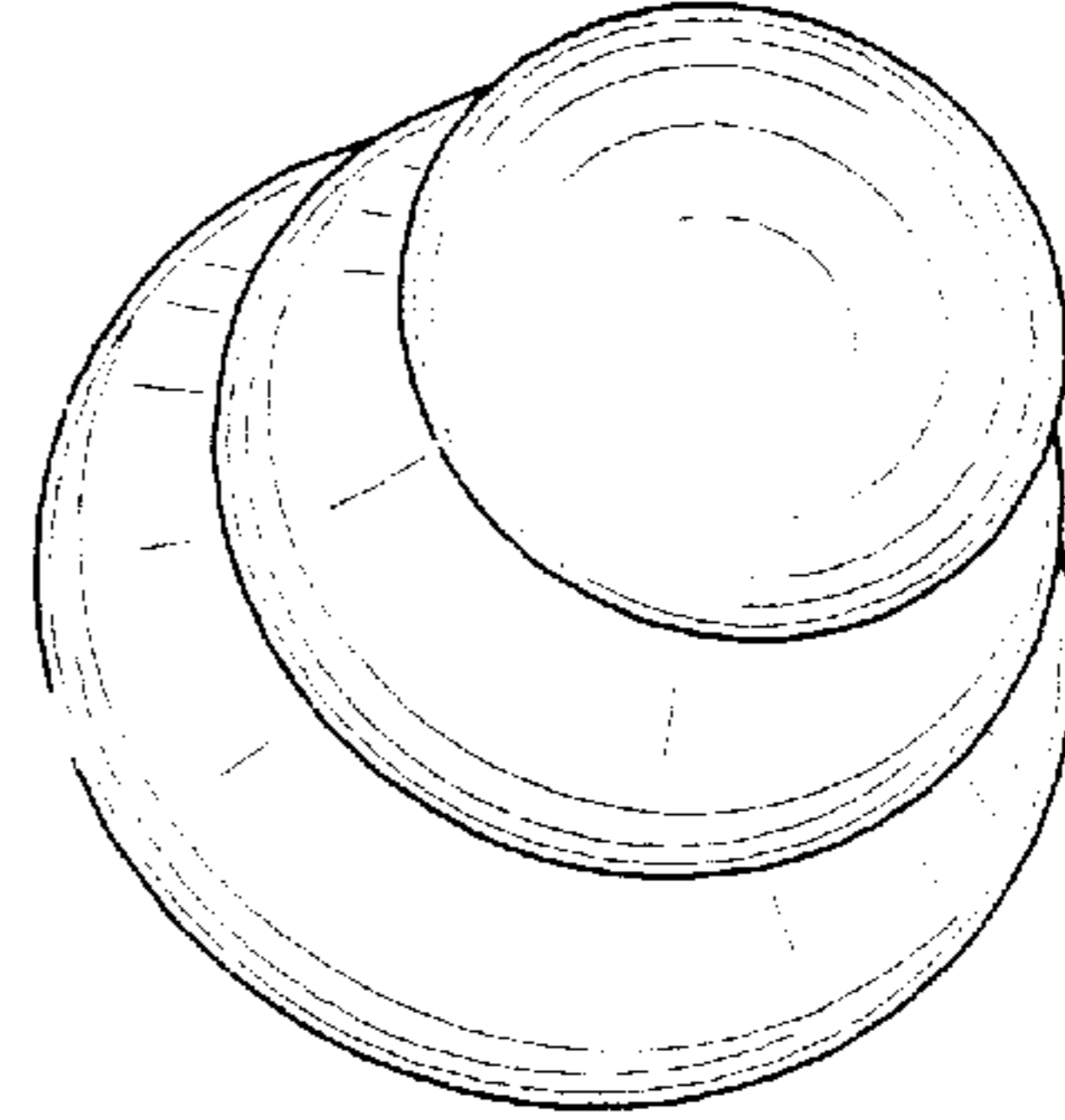


FIG. 6

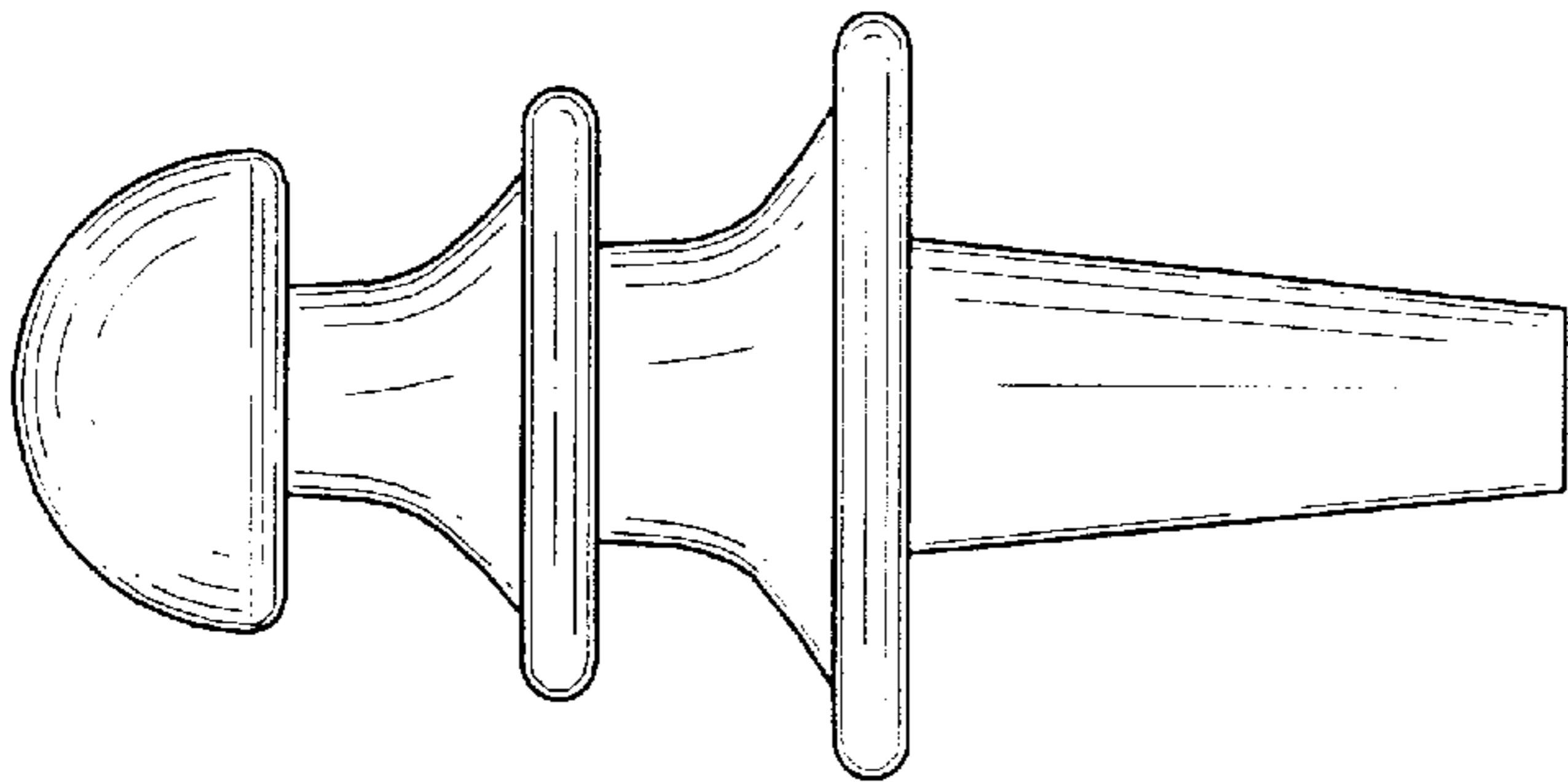


FIG. 7

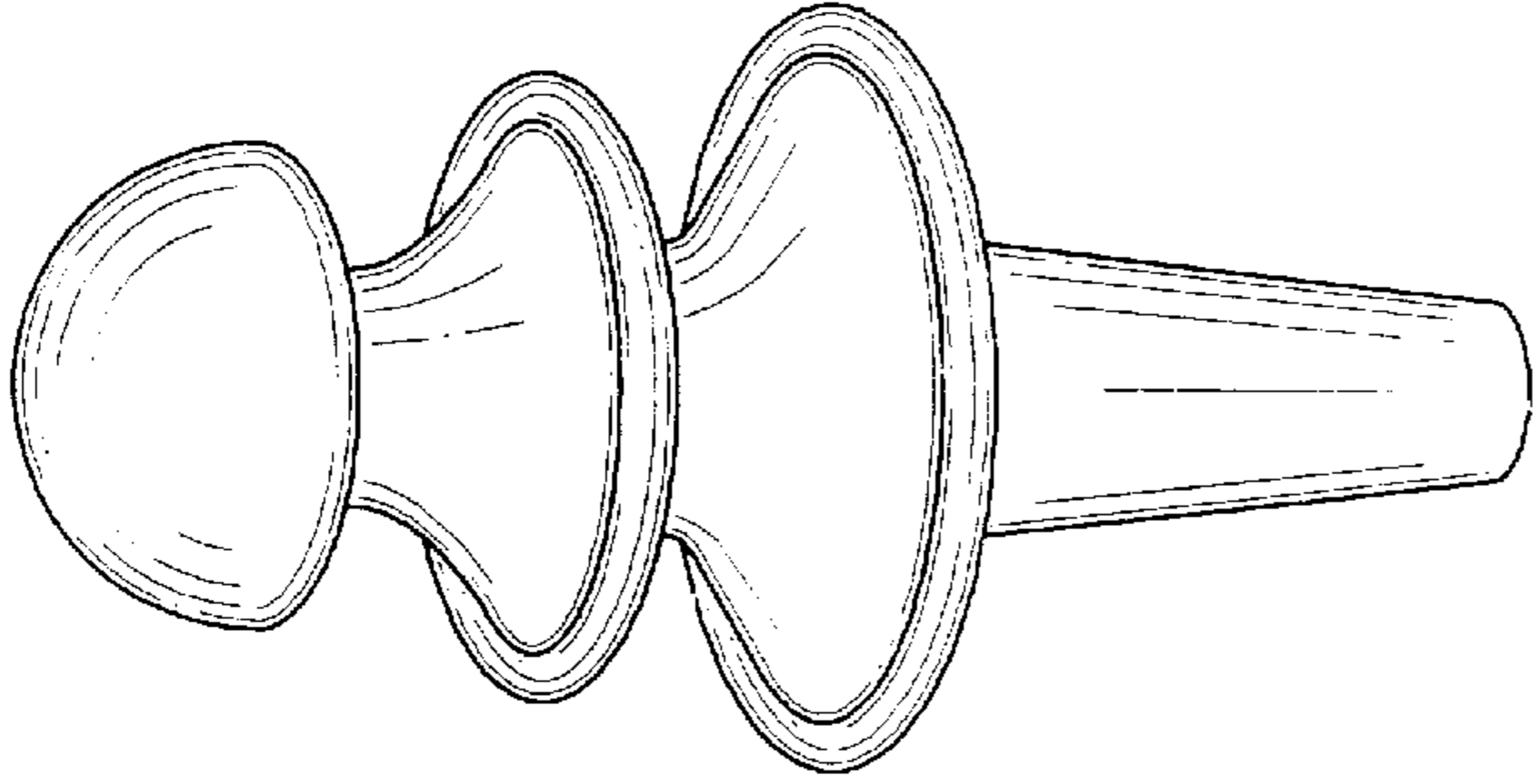


FIG. 11

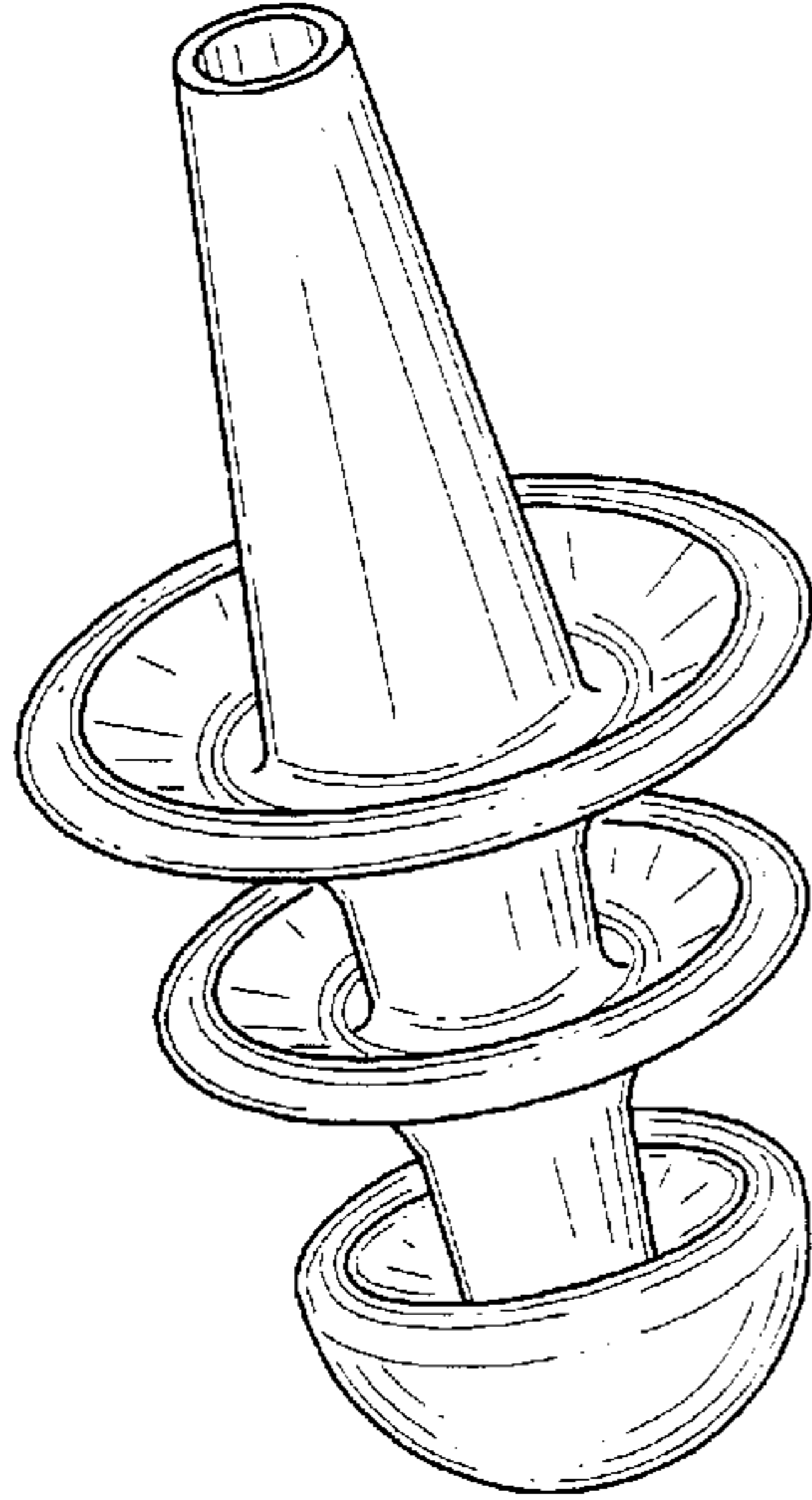


FIG. 9

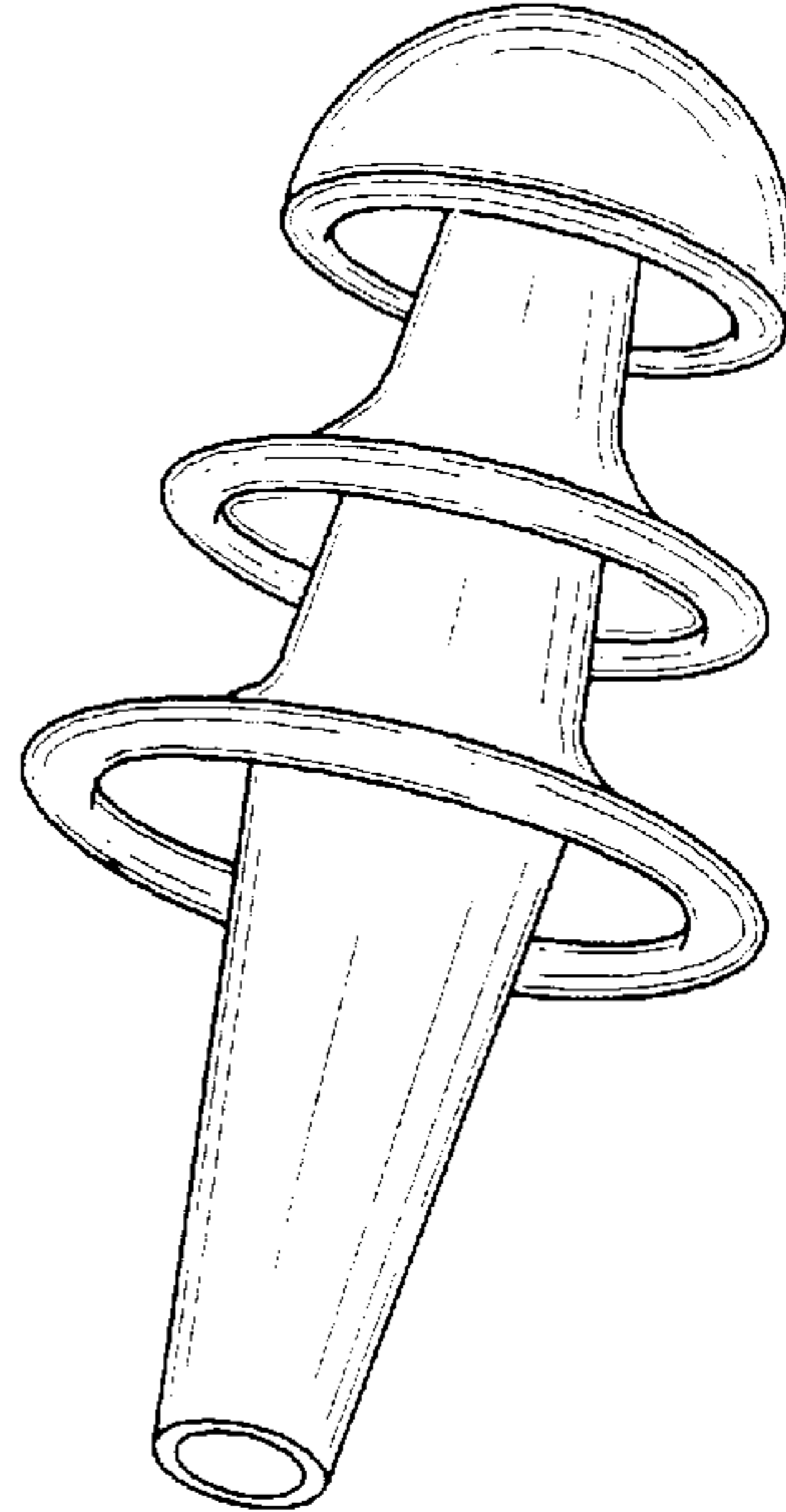


FIG. 10

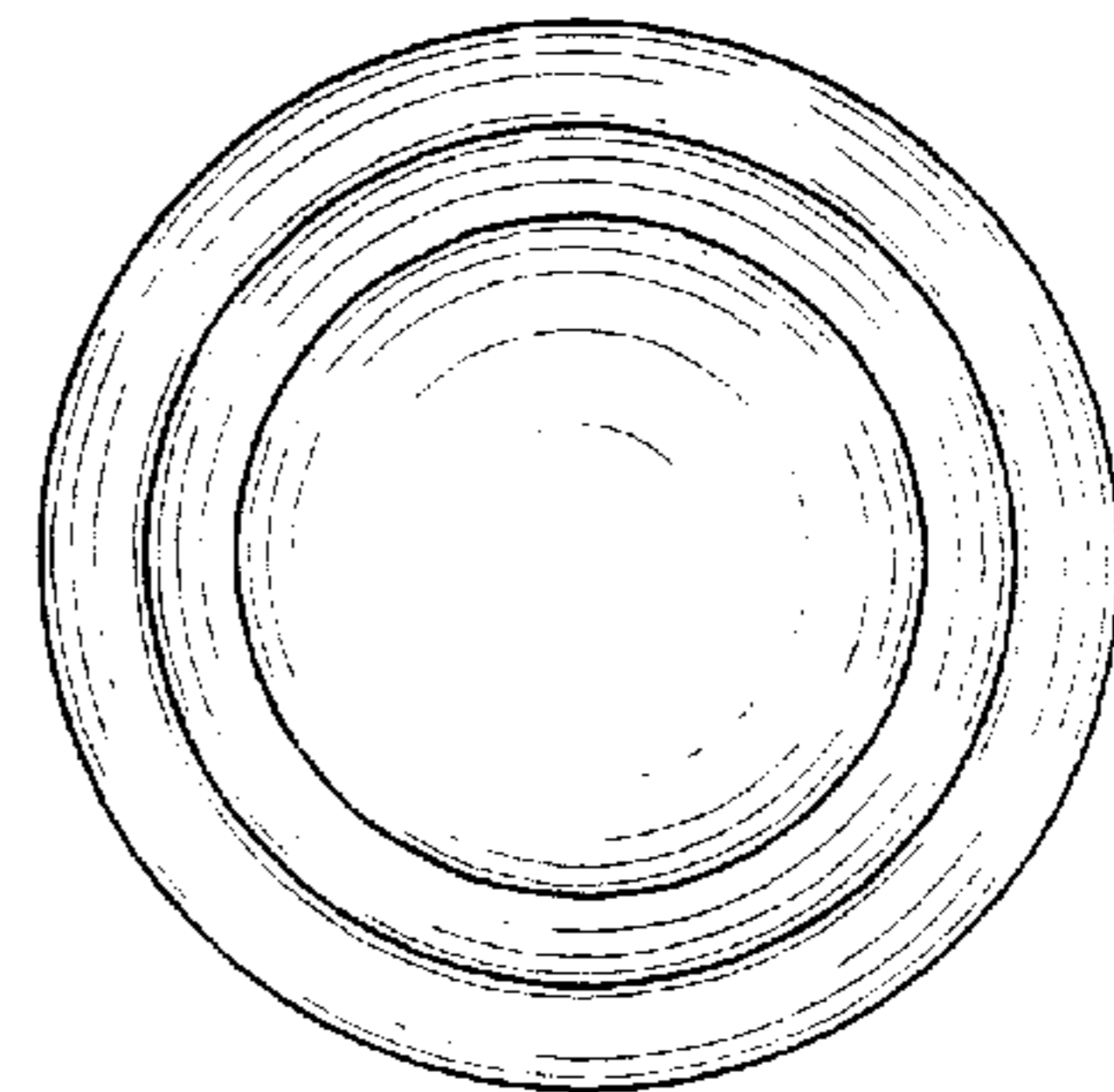


FIG. 8

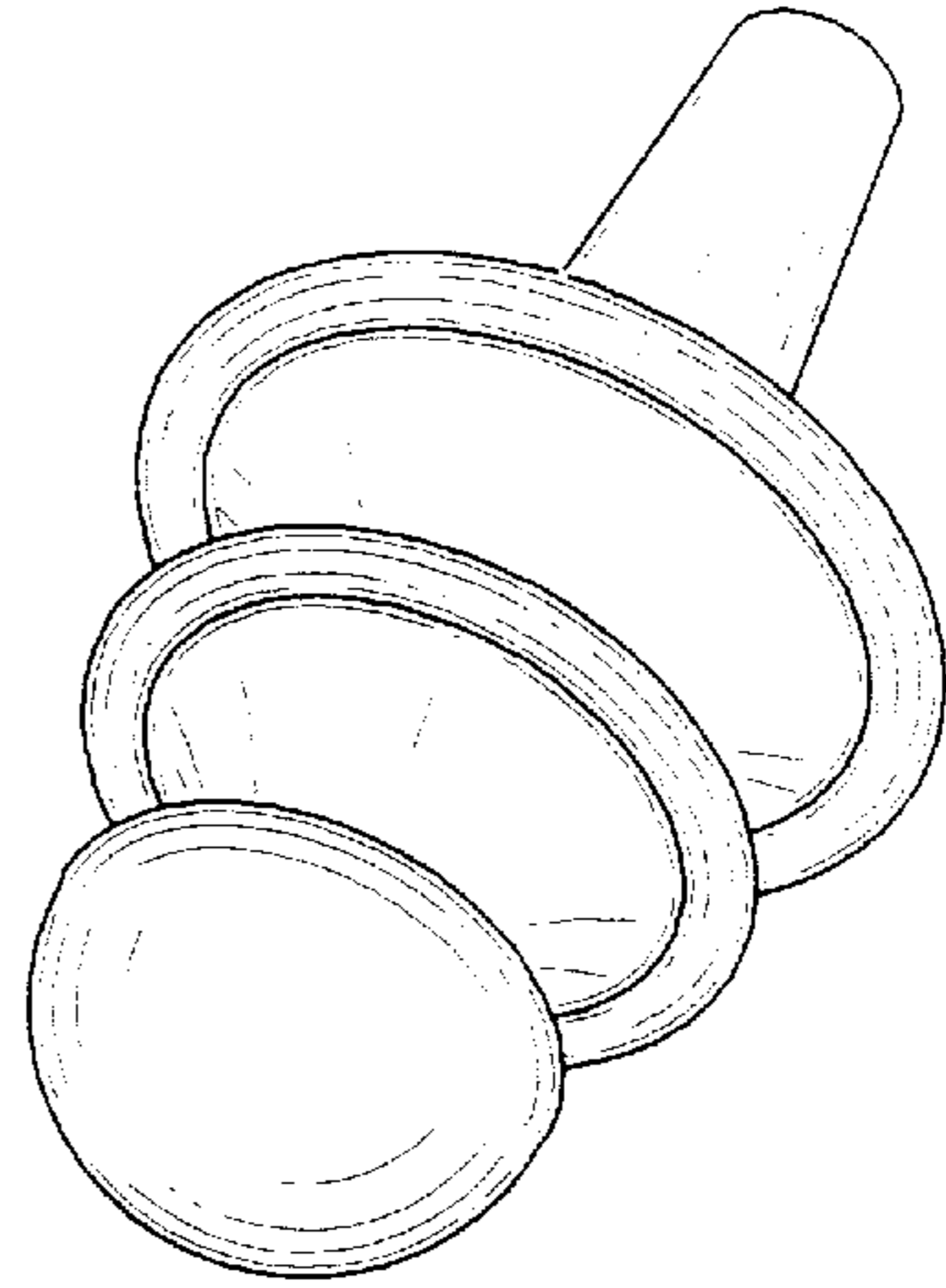


FIG. 12