



US00D472620S

(12) **United States Design Patent**
Phillips

(10) **Patent No.:** **US D472,620 S**

(45) **Date of Patent:** **** Apr. 1, 2003**

(54) **DISPOSABLE ABSORBENT LINER HAVING AN ELASTIC RIM FOR A PORTABLE TOILET SEAT AND BOWL**

(76) **Inventor:** **Barry S. Phillips**, 8062 College Corner Rd., Centerville, IN (US) 47330

(**) **Term:** **14 Years**

(21) **Appl. No.:** **29/158,695**

(22) **Filed:** **Apr. 9, 2002**

(51) **LOC (7) Cl.** **23-02**

(52) **U.S. Cl.** **D23/309**

(58) **Field of Search** D23/303, 309-310;
4/315, 318, 476, 216, 451, 452, DIG. 18,
483, 484, 480

(56) **References Cited**

U.S. PATENT DOCUMENTS

3,737,920	A	*	6/1973	Savee	4/484
3,854,773	A	*	12/1974	Thomas	4/480
4,720,880	A		1/1988	Barreau		
4,837,868	A	*	6/1989	Allen	4/483 X
5,435,322	A	*	7/1995	Marshall	4/DIG. 18
5,455,972	A		10/1995	Williams		
6,240,576	B1	*	6/2001	Cosby	4/483

* cited by examiner

Primary Examiner—Louis S. Zarfes

Assistant Examiner—Robert A. Delehanty

(74) *Attorney, Agent, or Firm*—Jacox, Meckstroth & Jenkins

(57) **CLAIM**

The ornamental design of a disposable absorbent liner having an elastic rim for a portable toilet seat and bowl, as shown and described.

DESCRIPTION

FIG. 1 is a perspective view of a disposable absorbent liner having an elastic rim for a portable toilet seat and bowl showing my new design;

FIG. 2 is an front view thereof;

FIG. 3 is a rear view thereof;

FIG. 4 is a side view thereof; the opposite side view being a mirror image;

FIG. 5 is a top view thereof; and,

FIG. 6 is a bottom view thereof.

The fragmentary crisscross pattern shown in the drawing is understood to represent fabric and is repeated uniformly throughout the areas shown.

1 Claim, 1 Drawing Sheet

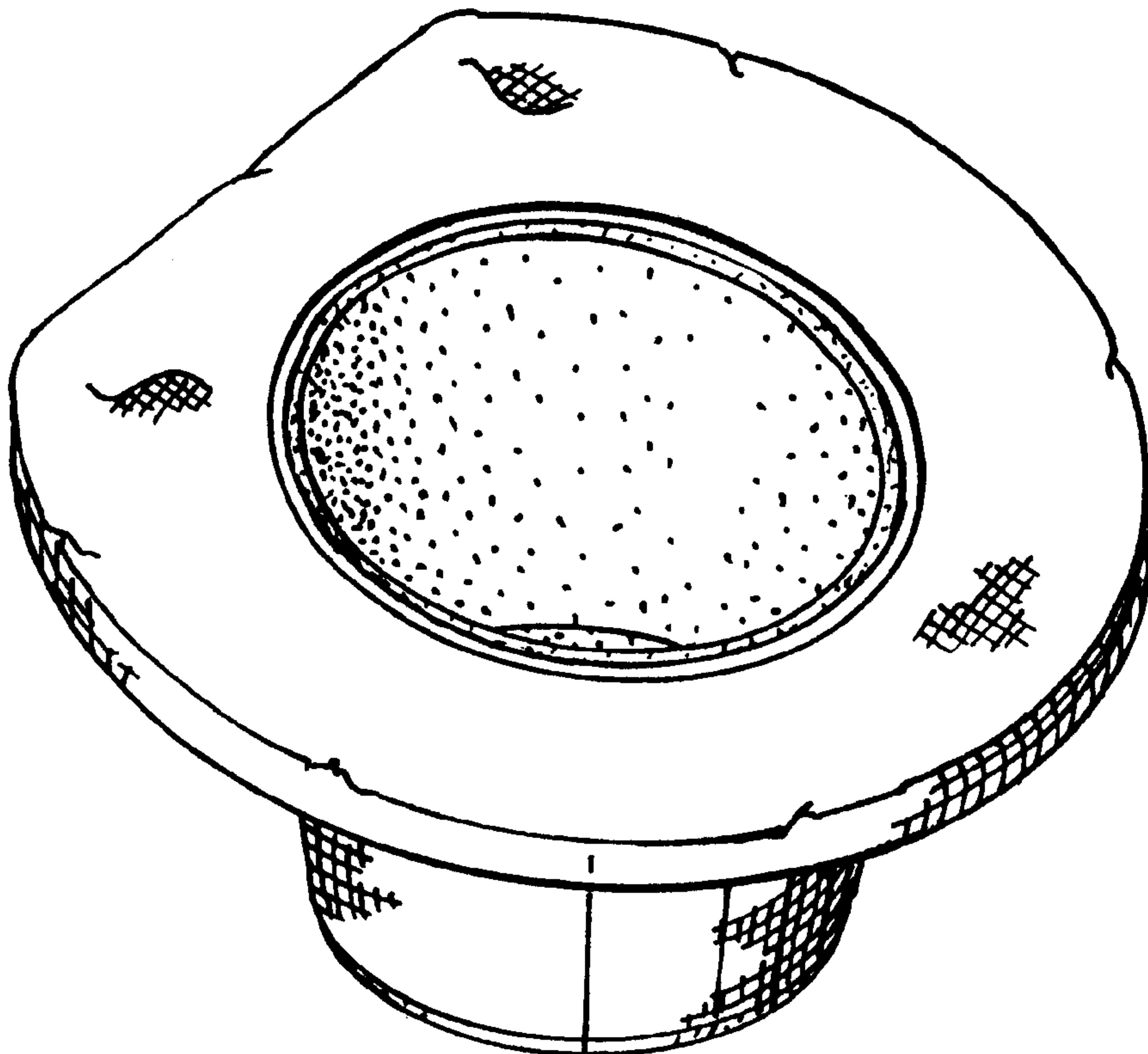


FIG-1

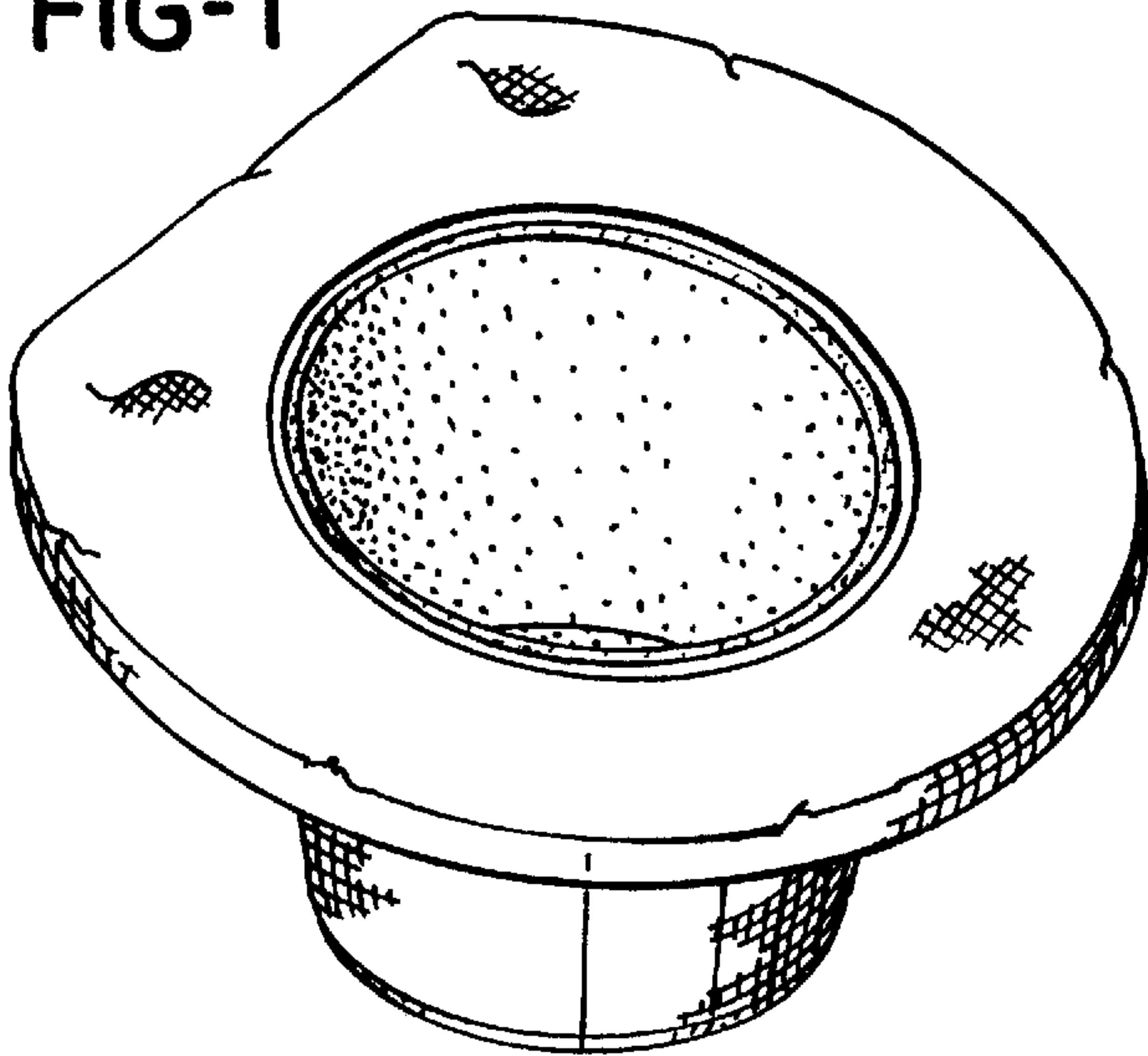


FIG-2

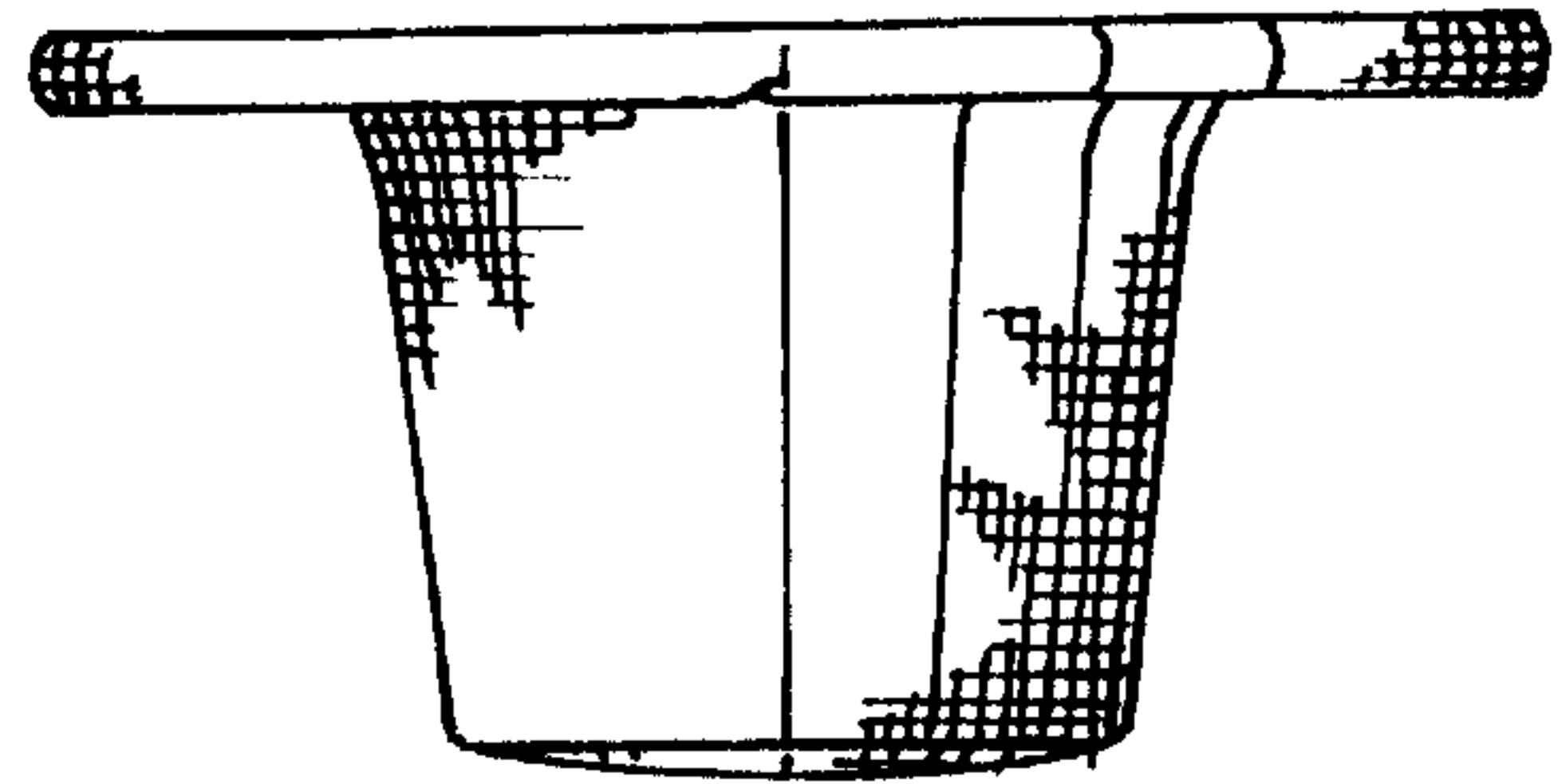


FIG-3

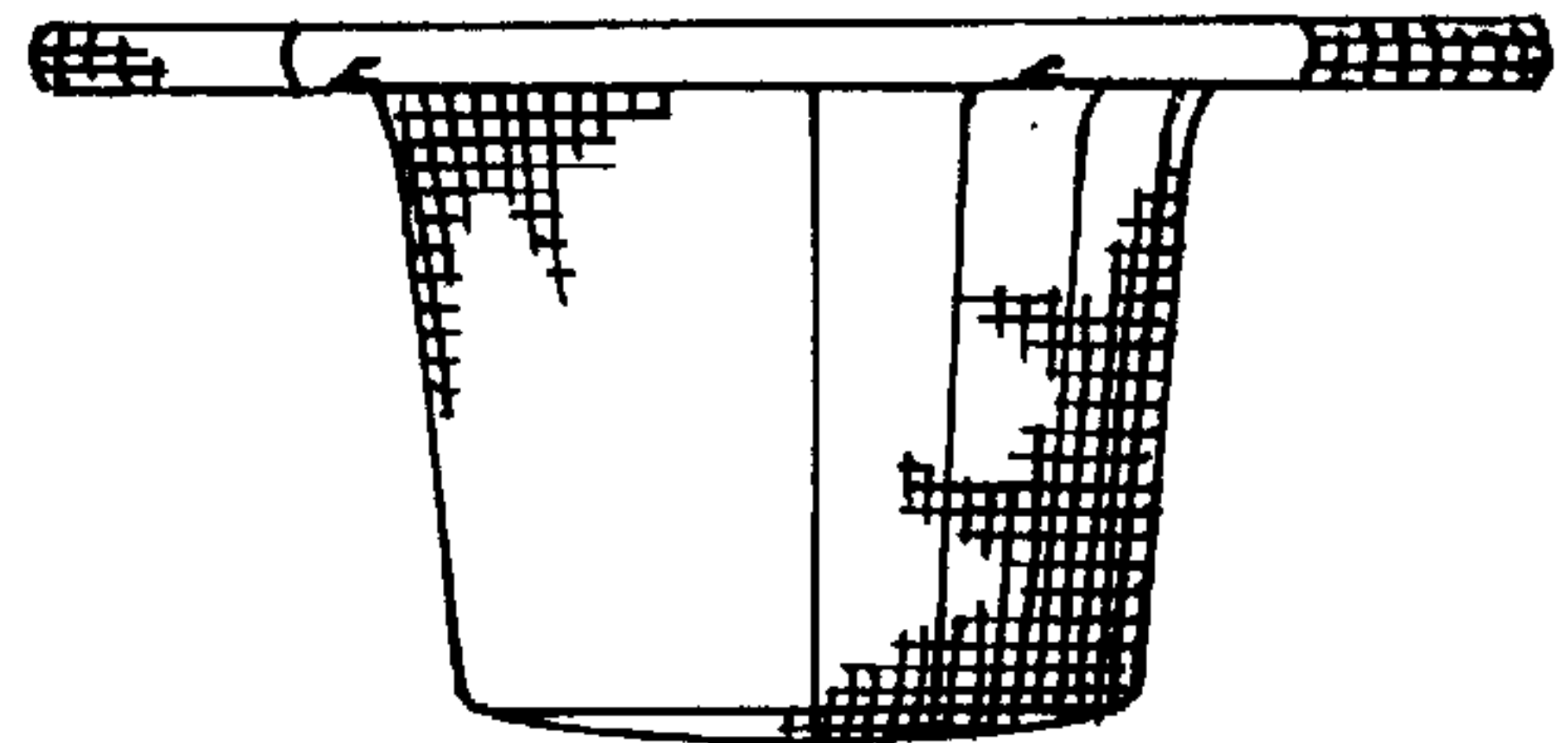


FIG-4

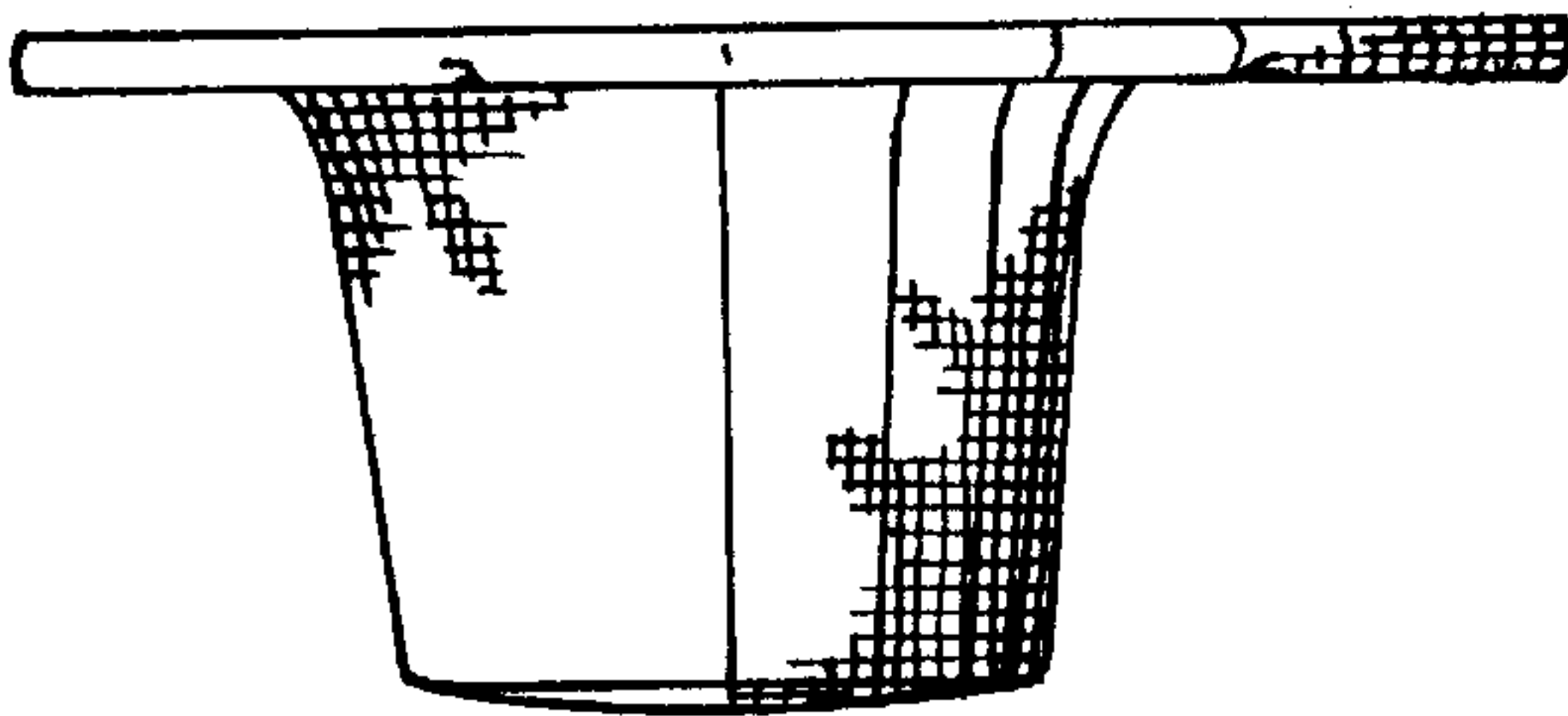


FIG-5

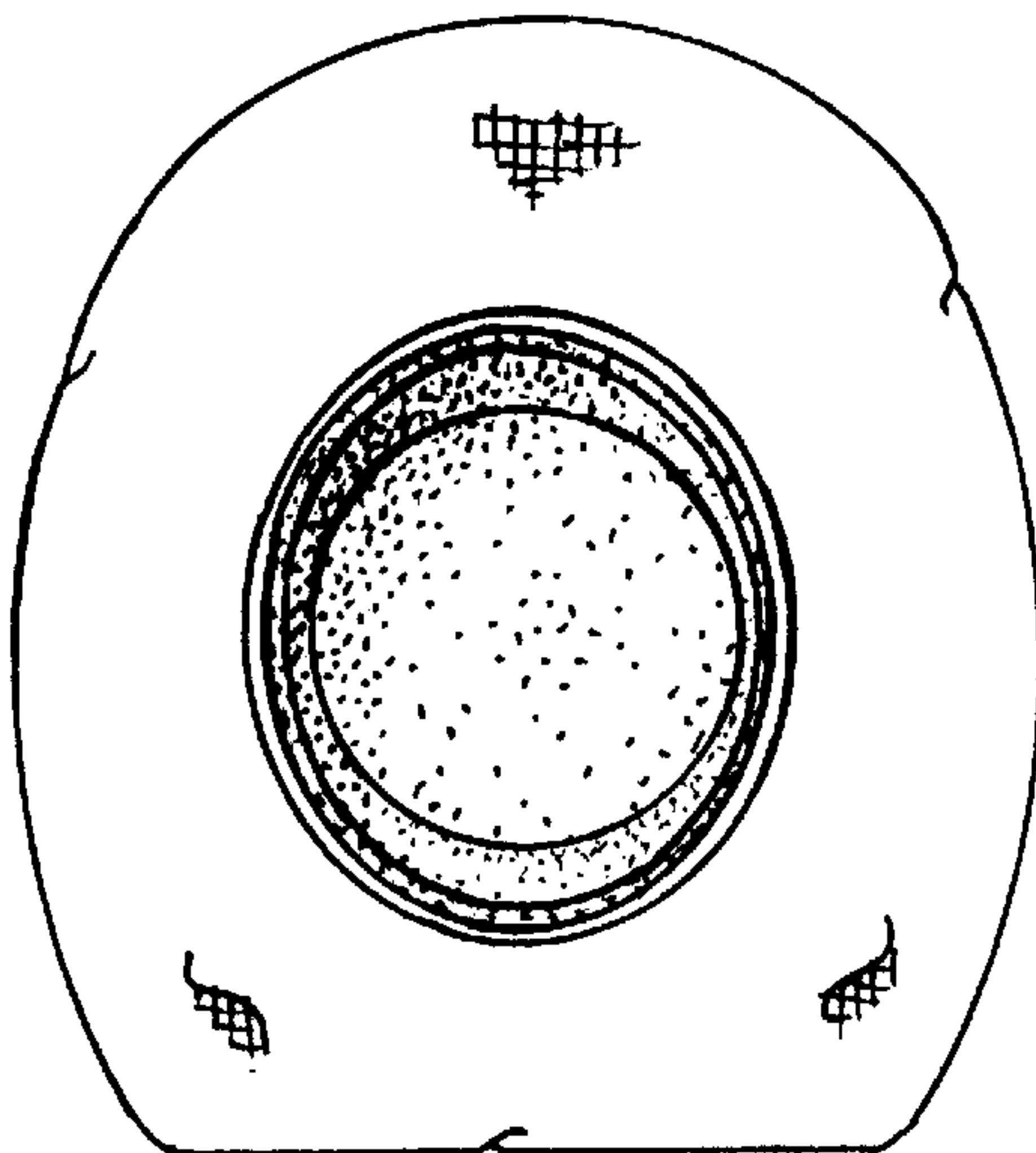


FIG-6

