



US00D472618S

(12) **United States Design Patent**  
**Sharp**

(10) **Patent No.:** **US D472,618 S**

(45) **Date of Patent:** **\*\* Apr. 1, 2003**

(54) **PORTABLE TOILET AND CARRYING CASE**

(76) Inventor: **Ted A Sharp**, 1607 Brockridge Dr.,  
Elizabeth City, NC (US) 27909

(\*\*) Term: **14 Years**

(21) Appl. No.: **29/159,366**

(22) Filed: **Apr. 19, 2002**

(51) **LOC (7) Cl.** ..... **23-02**

(52) **U.S. Cl.** ..... **D23/299**

(58) **Field of Search** ..... D23/295-299,  
D23/303, 309; 4/483, 254, 300, 312, 329,  
449, 459, 460, 902, 905, DIG. 11, DIG. 12;  
D6/339, 368; D3/243

(56) **References Cited**

**U.S. PATENT DOCUMENTS**

3,854,773 A	*	12/1974	Thomas	.....	4/254 X
3,950,794 A		4/1976	Dalton		
4,837,868 A	*	6/1989	Allen	.....	4/449 X
5,095,556 A		3/1992	Franey		
5,230,105 A		7/1993	Watson		
D355,710 S		2/1995	Hostetler et al.		
D363,400 S	*	10/1995	Morgan	.....	D6/339 X
D380,087 S	*	6/1997	Roth	.....	D3/243

5,781,940 A		7/1998	Becker et al.		
D405,267 S	*	2/1999	Cowan	.....	D3/243 X
6,023,792 A		2/2000	Croucher et al.		
6,317,900 B1	*	11/2001	Braxton	.....	4/483

\* cited by examiner

*Primary Examiner*—Louis S. Zarfaz  
*Assistant Examiner*—Robert A. Delehanty

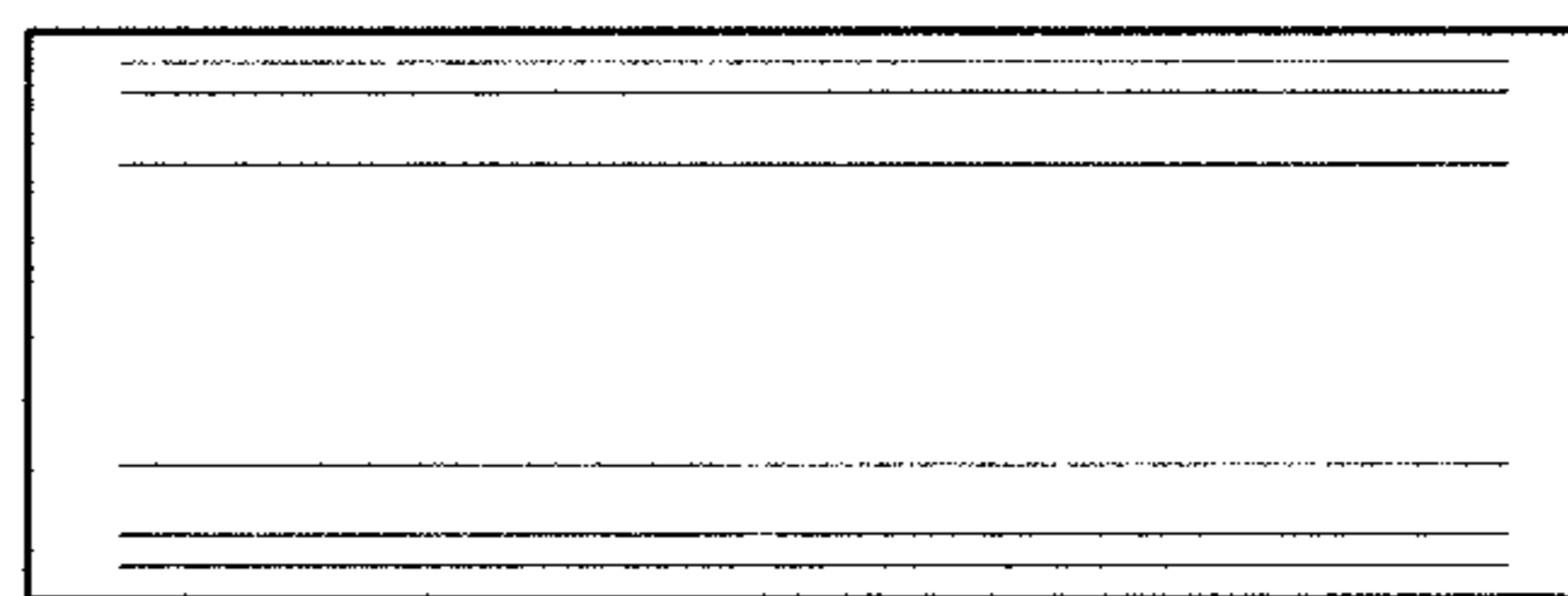
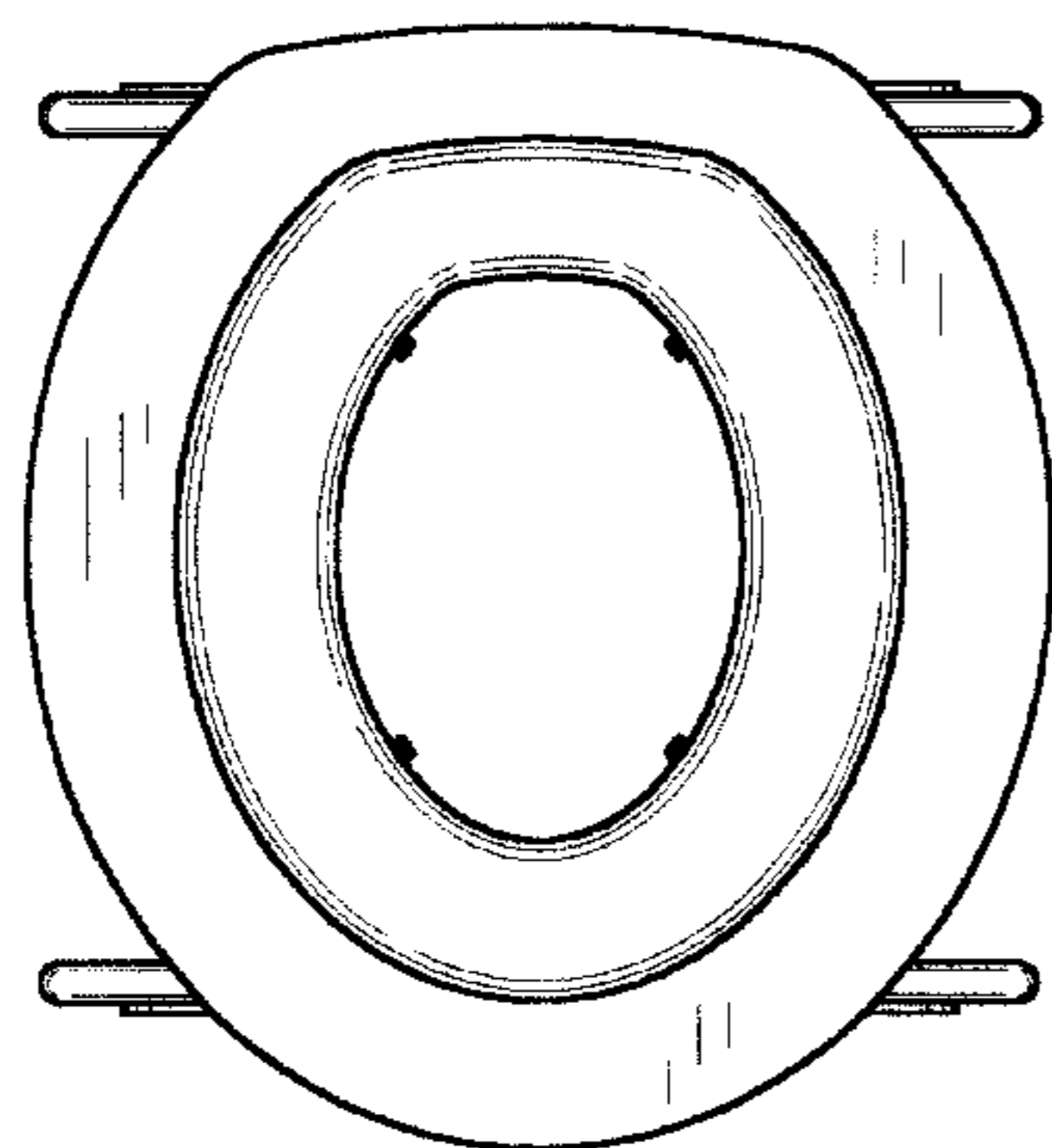
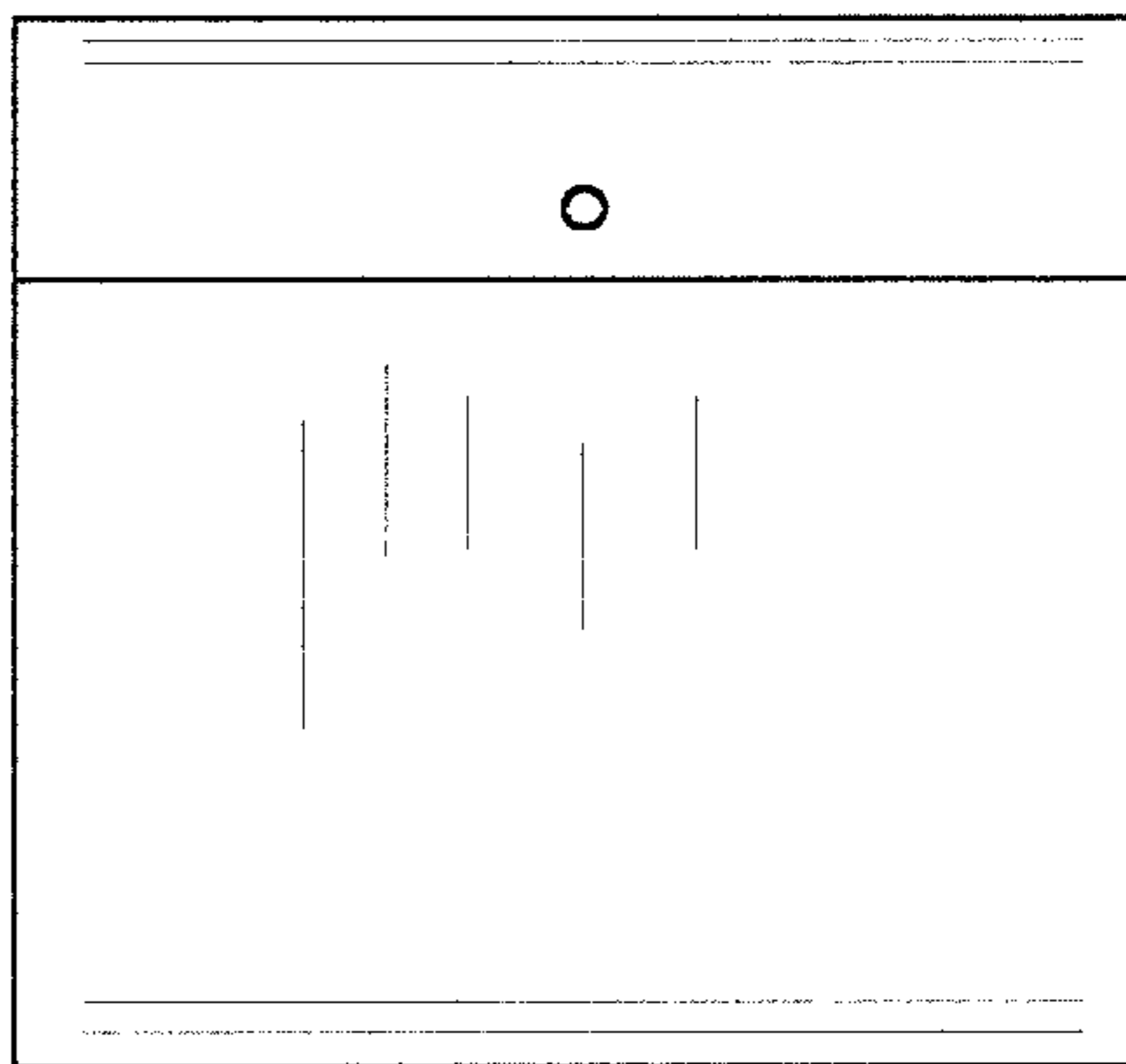
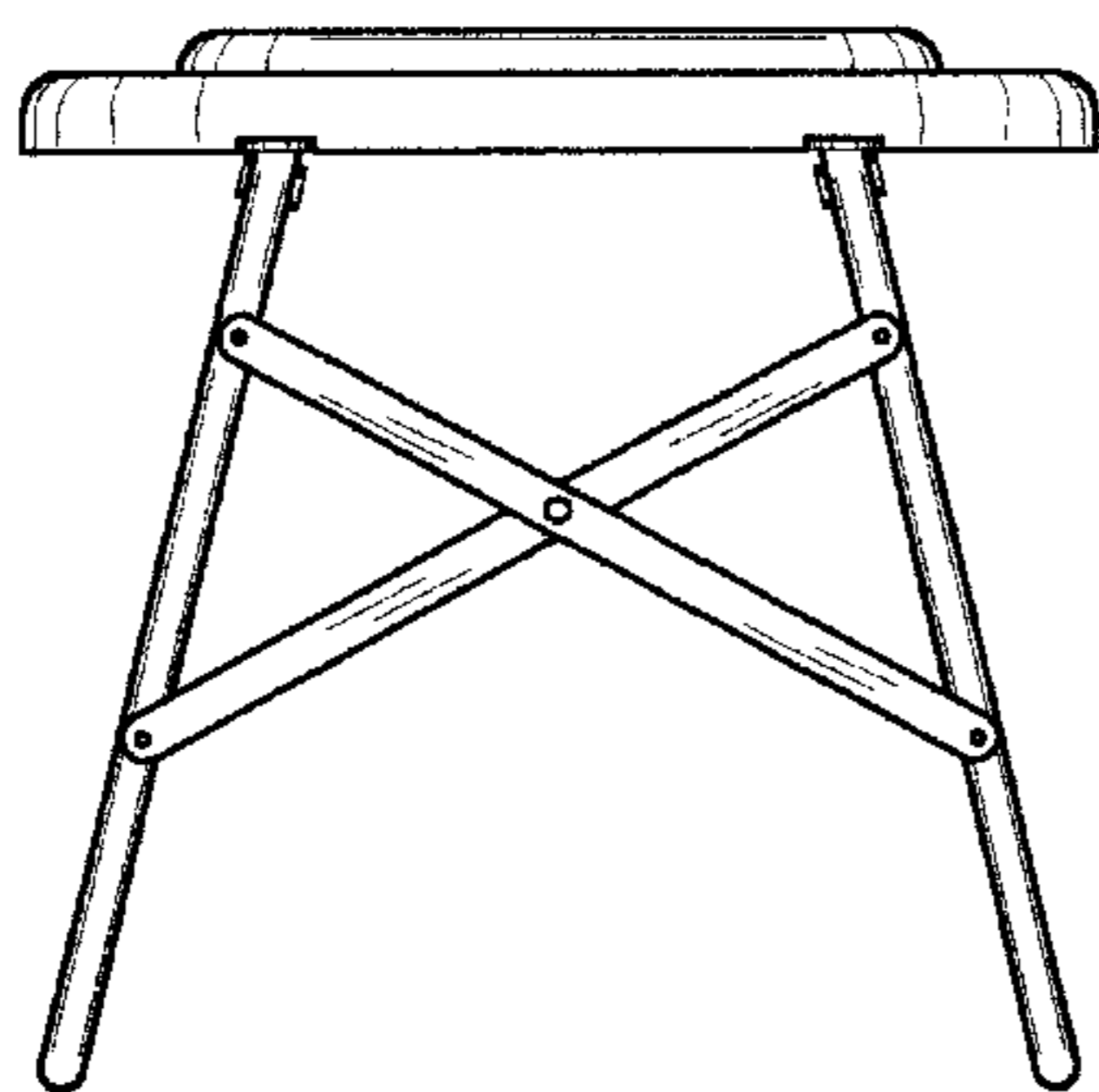
(57) **CLAIM**

The ornamental design for a portable toilet and carrying case, as shown and described.

**DESCRIPTION**

FIG. 1 is a front elevational view of the portable toilet and carrying case of the present invention;  
FIG. 2 is a rear elevational view of the portable toilet and carrying case of FIG. 1;  
FIG. 3 is a left side elevational view of the portable toilet and carrying case of FIG. 1, the right view being a mirror image thereof;  
FIG. 4 is a top plan view of the portable toilet and carrying case of FIG. 1; and,  
FIG. 5 is a bottom plan view of the portable toilet and carrying case of FIG. 1.

**1 Claim, 5 Drawing Sheets**



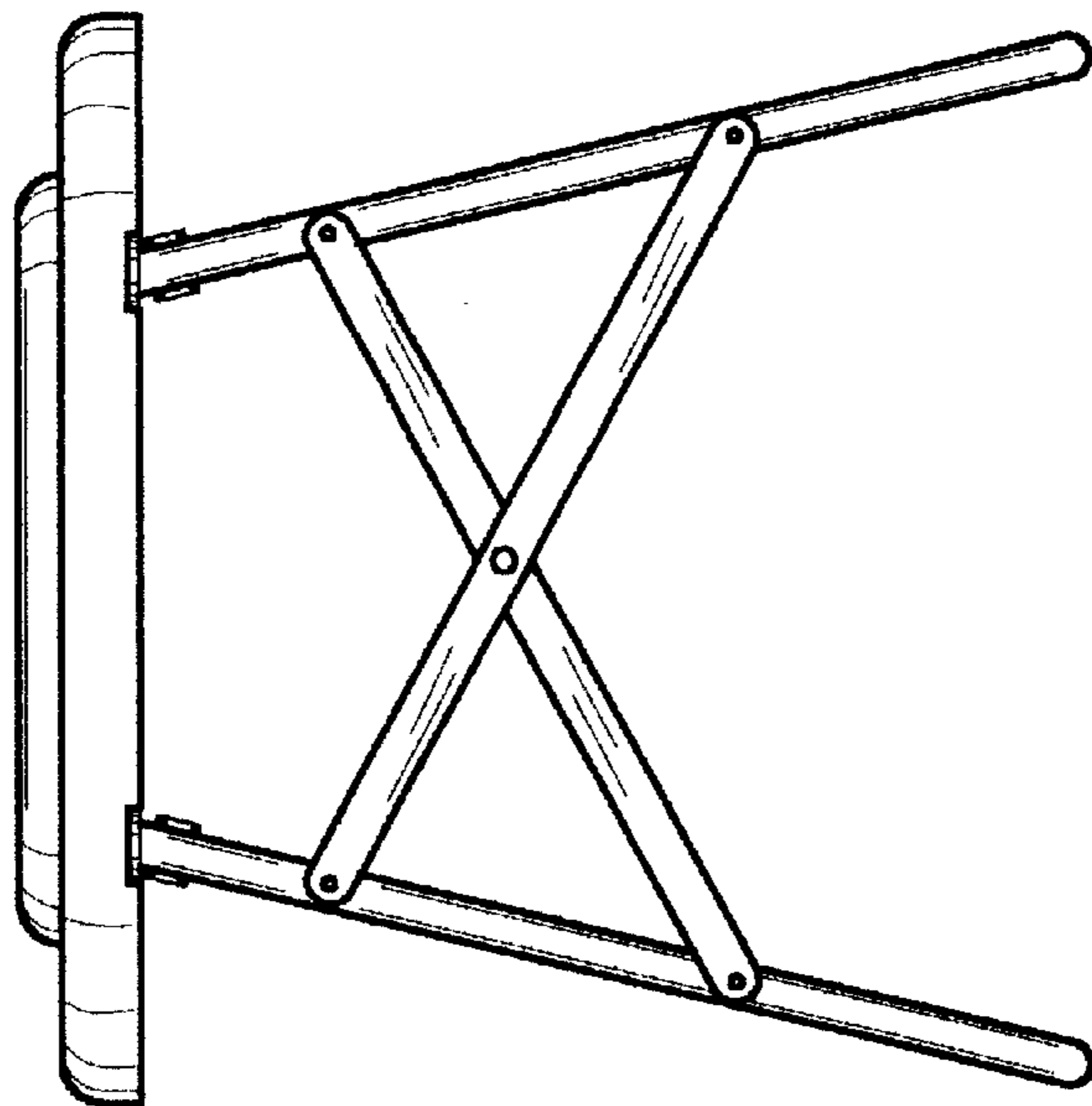
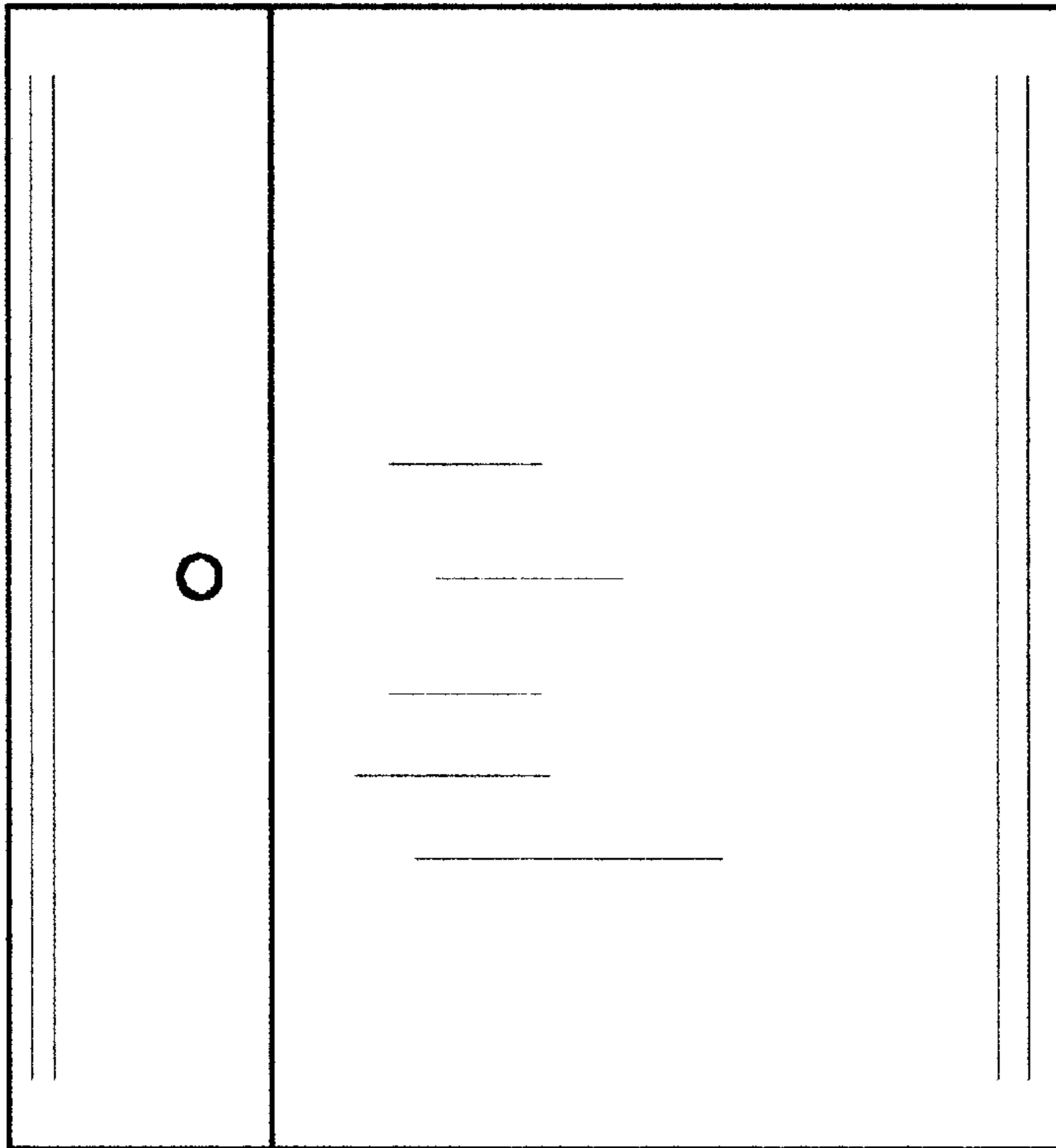


FIG. 1

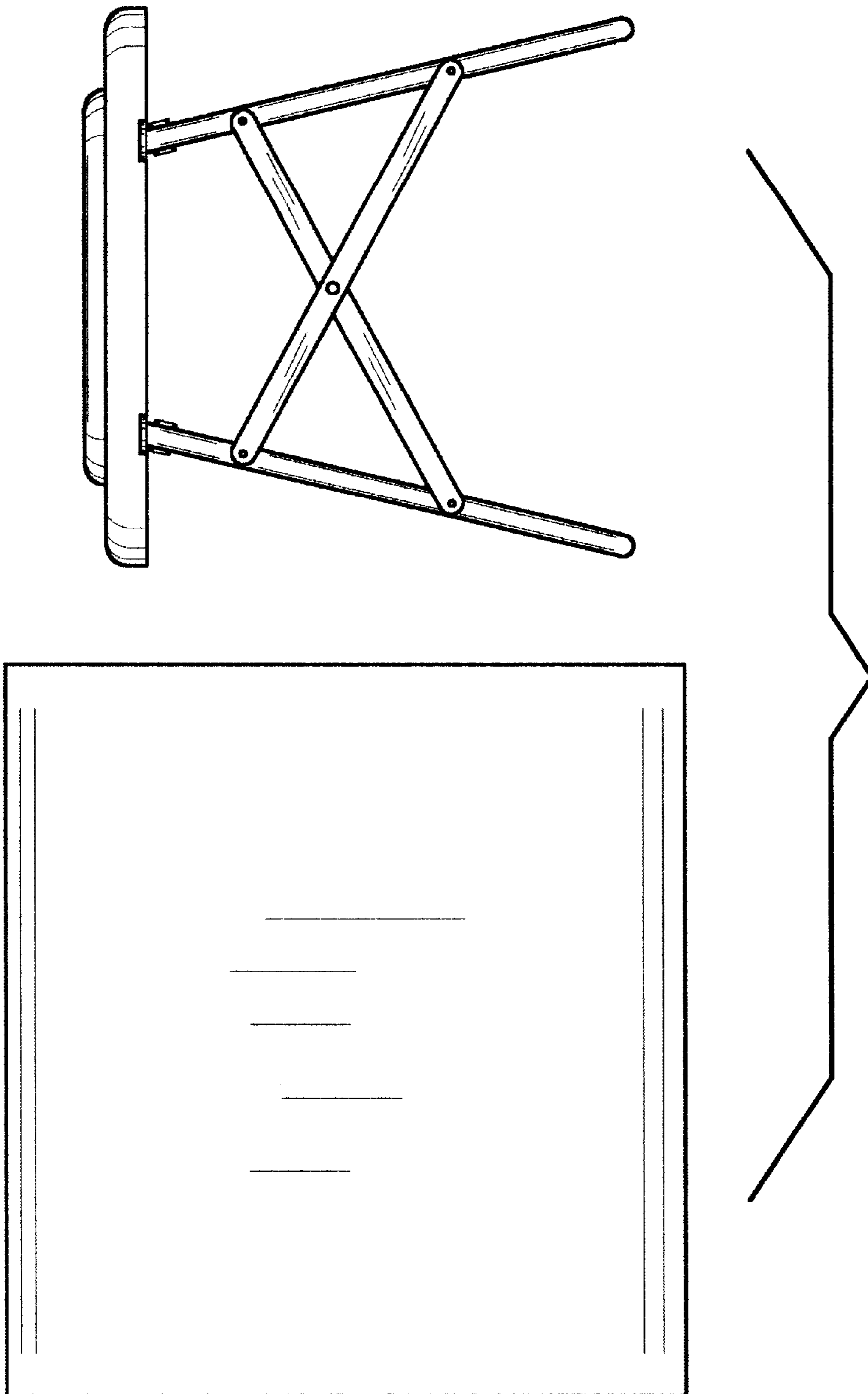


FIG. 2

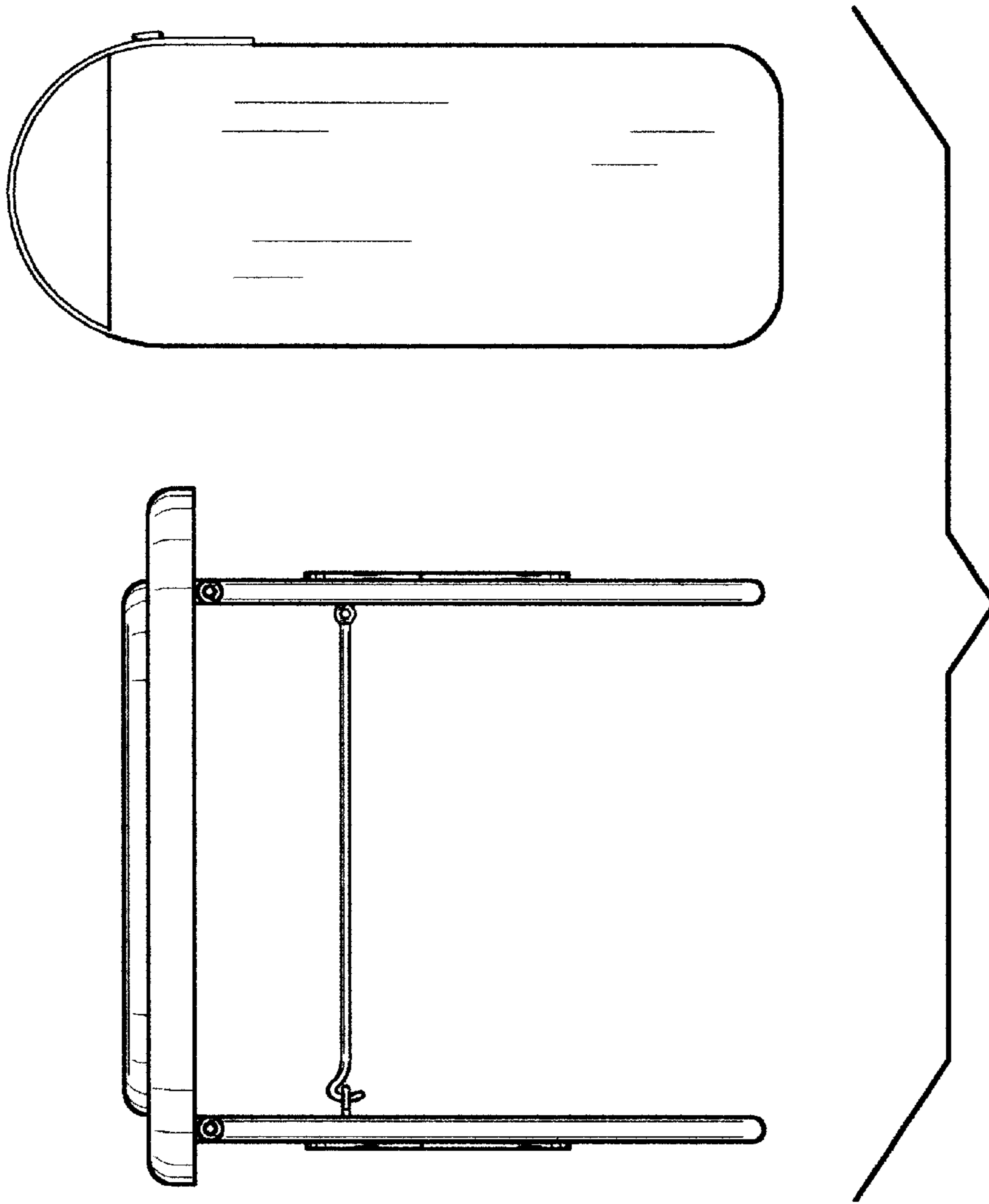


FIG. 3

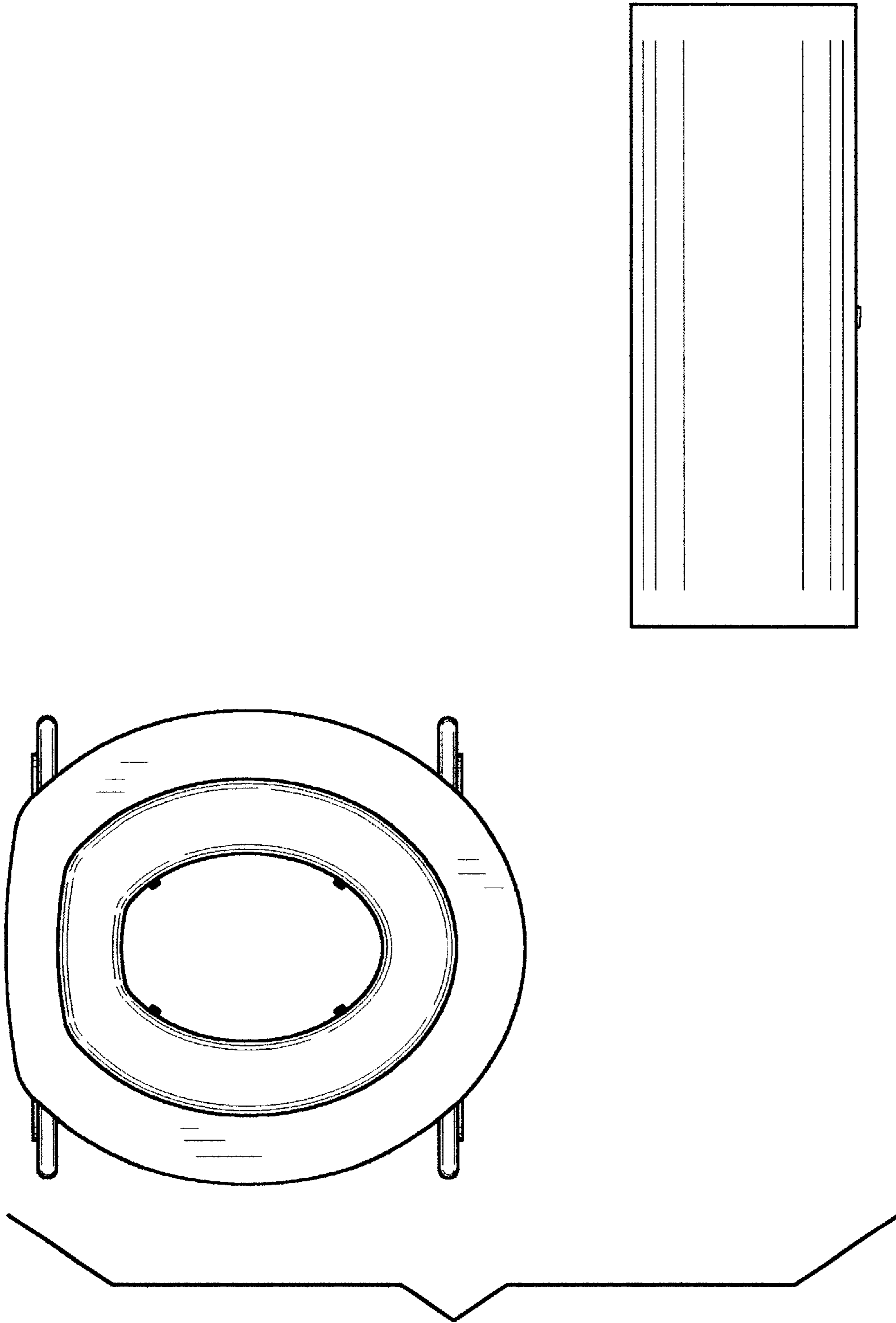


FIG. 4

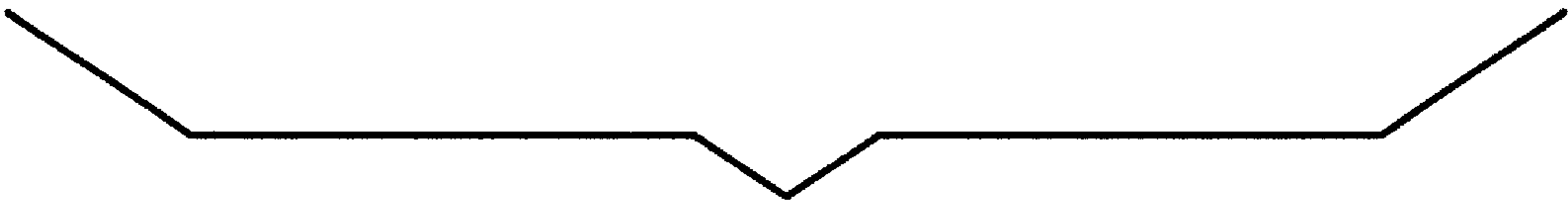
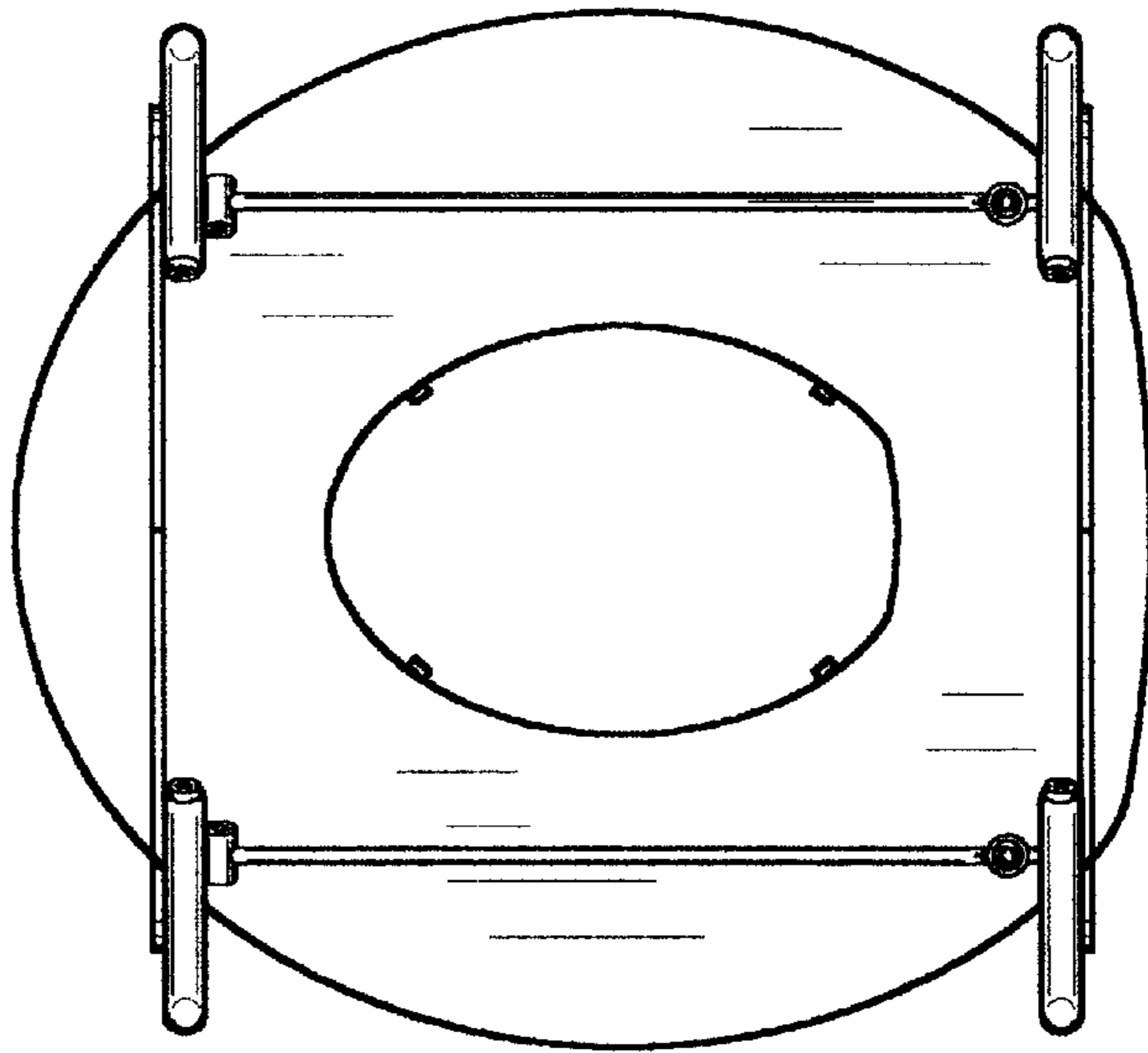
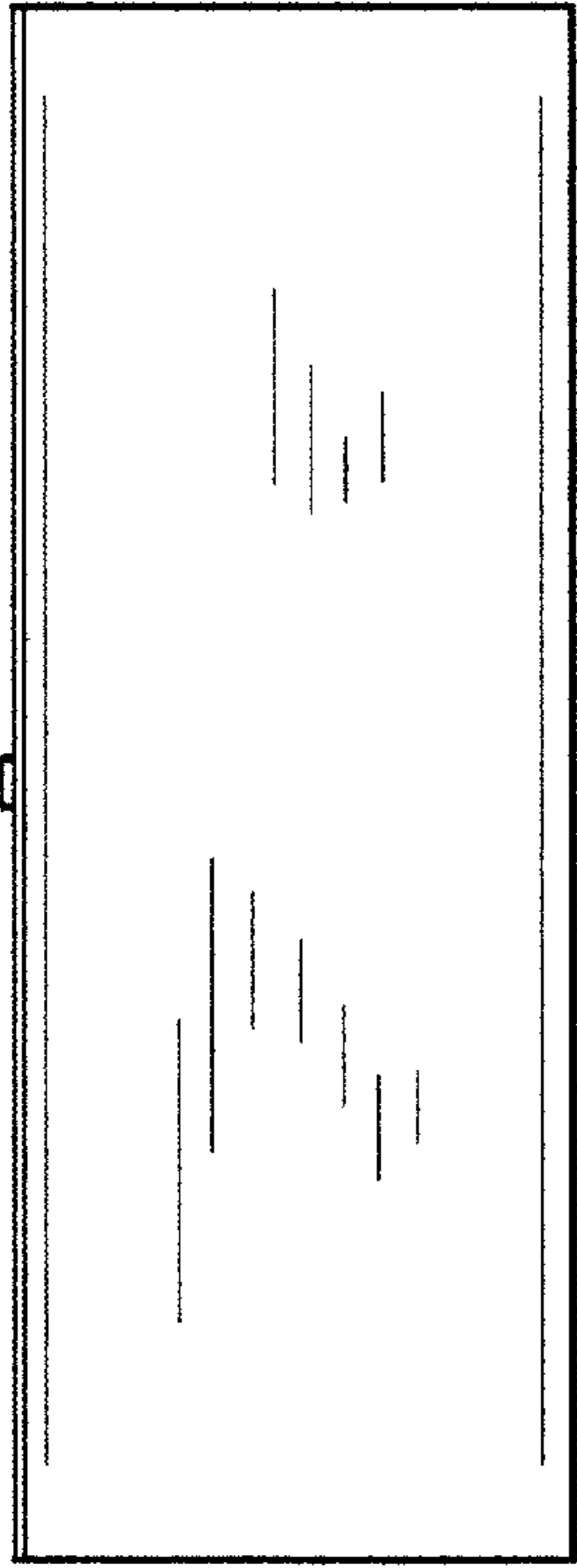


FIG. 5