



US00D472616S

(12) **United States Design Patent**
Newson

(10) **Patent No.:** **US D472,616 S**

(45) **Date of Patent:** **** Apr. 1, 2003**

(54) **LAVATORY PEDESTAL**

(75) Inventor: **Marc Newson, Paris (FR)**

(73) Assignee: **American Standard International Inc., New York, NY (US)**

(**) Term: **14 Years**

(21) Appl. No.: **29/158,077**

(22) Filed: **Mar. 28, 2002**

(30) **Foreign Application Priority Data**

Oct. 2, 2001 (IT) RE0100017

(51) **LOC (7) Cl.** **23-02**

(52) **U.S. Cl.** **D23/292**

(58) **Field of Search** D23/284, 292,
D23/291, 293.1, 308; 4/619, 638, 643-646,
650, 652, 522

(56) **References Cited**

U.S. PATENT DOCUMENTS

D387,419 S * 12/1997 Garza D23/292

D396,271 S * 7/1998 Garza D23/292

D399,933 S * 10/1998 Thomas D23/284

D461,881 S * 8/2002 McKeone D23/293.1

* cited by examiner

Primary Examiner—Louis S. Zarfaz

Assistant Examiner—Robert A. Delehanty

(57) **CLAIM**

The ornamental design for a lavatory pedestal, as shown and described.

DESCRIPTION

FIG. 1 is a perspective view of a lavatory pedestal showing my new design;

FIG. 2 is a top plan view thereof;

FIG. 3 is a front elevational view thereof;

FIG. 4 is a left side elevational view thereof, the right side view being a mirror image of the left side; and,

FIG. 5 is a rear elevational view thereof.

The broken line showing of plumbing holes is for illustrative purposes only and forms no part of the claimed design.

1 Claim, 5 Drawing Sheets

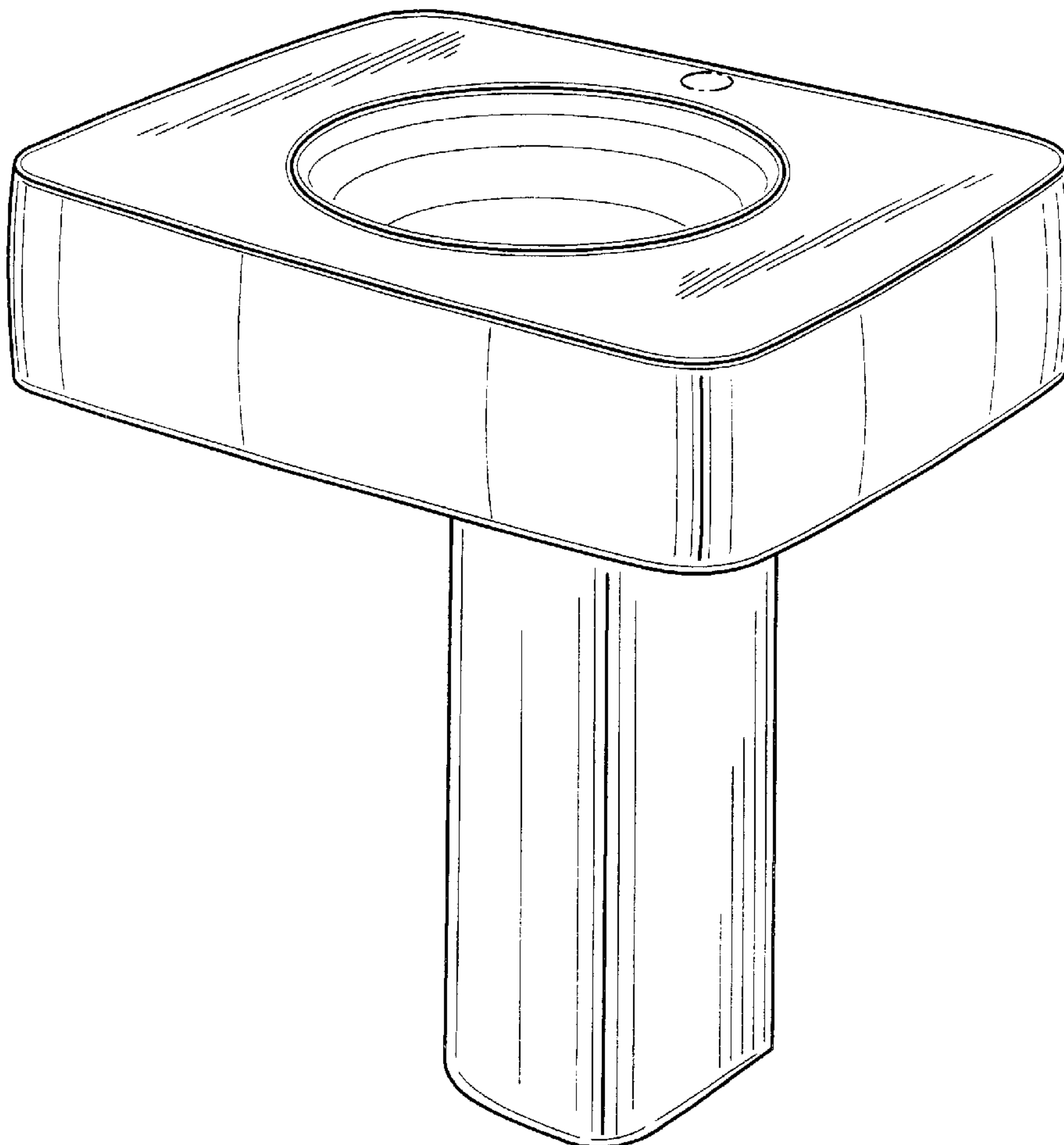


FIG. 1

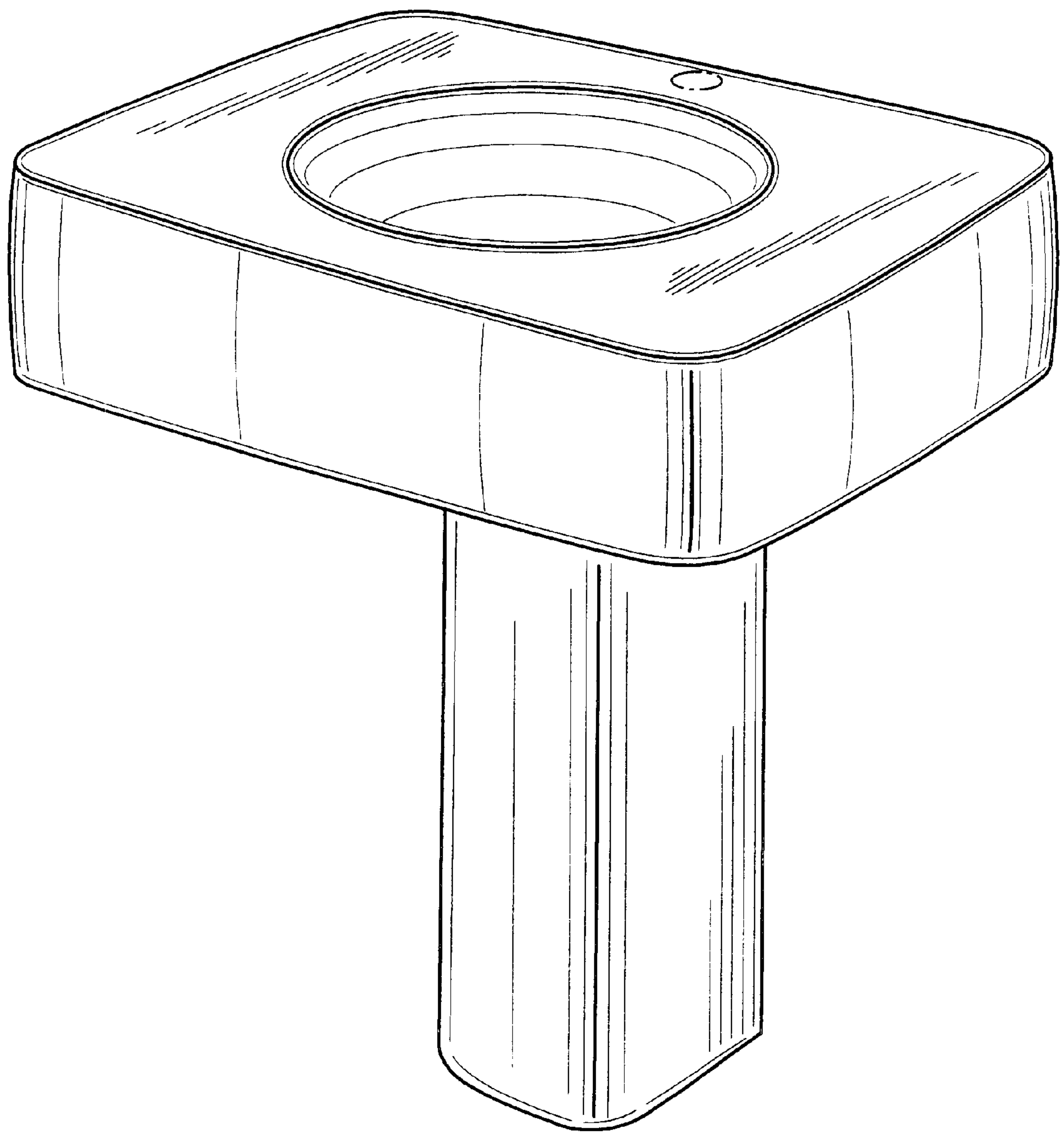


FIG. 2

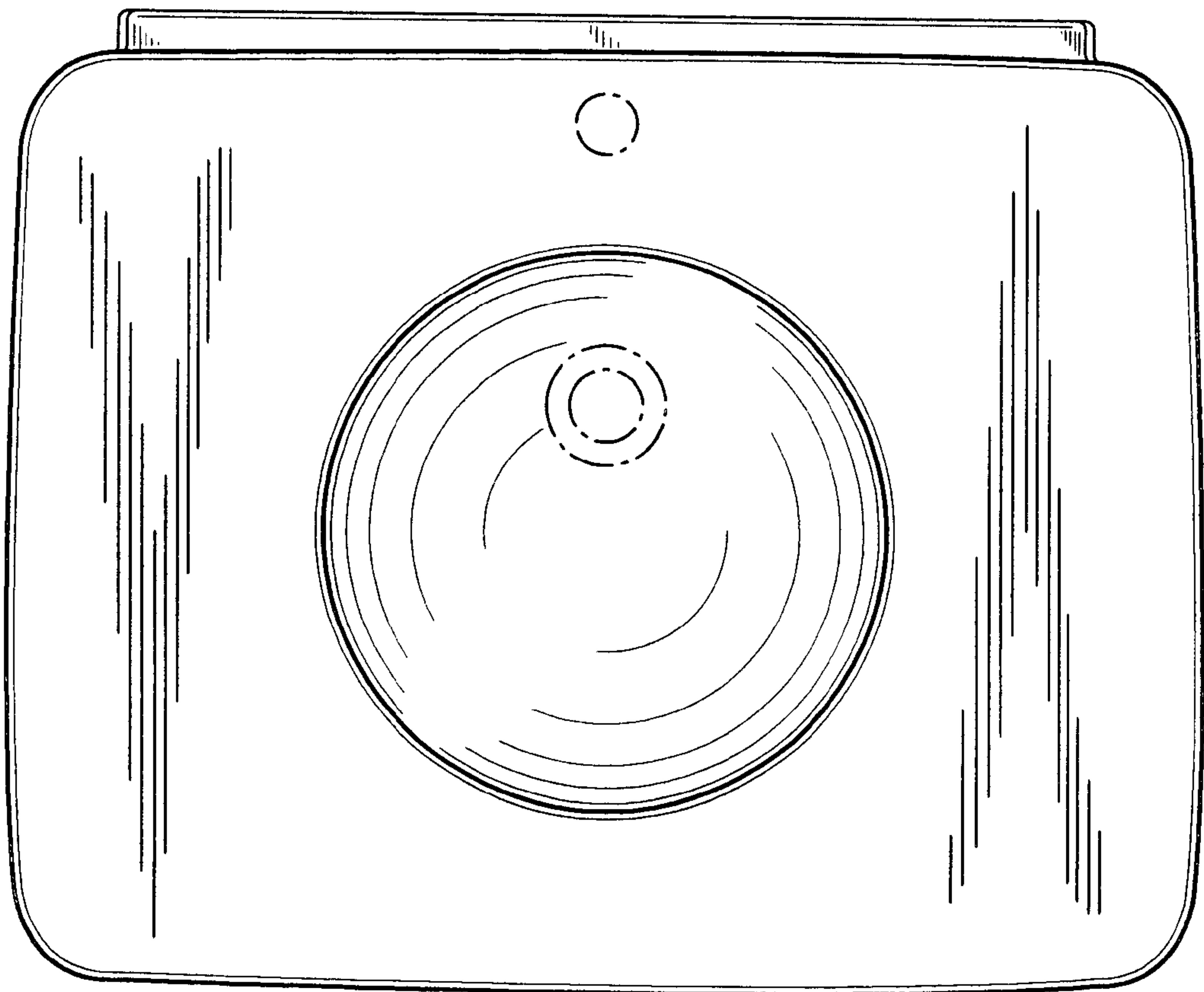


FIG. 3

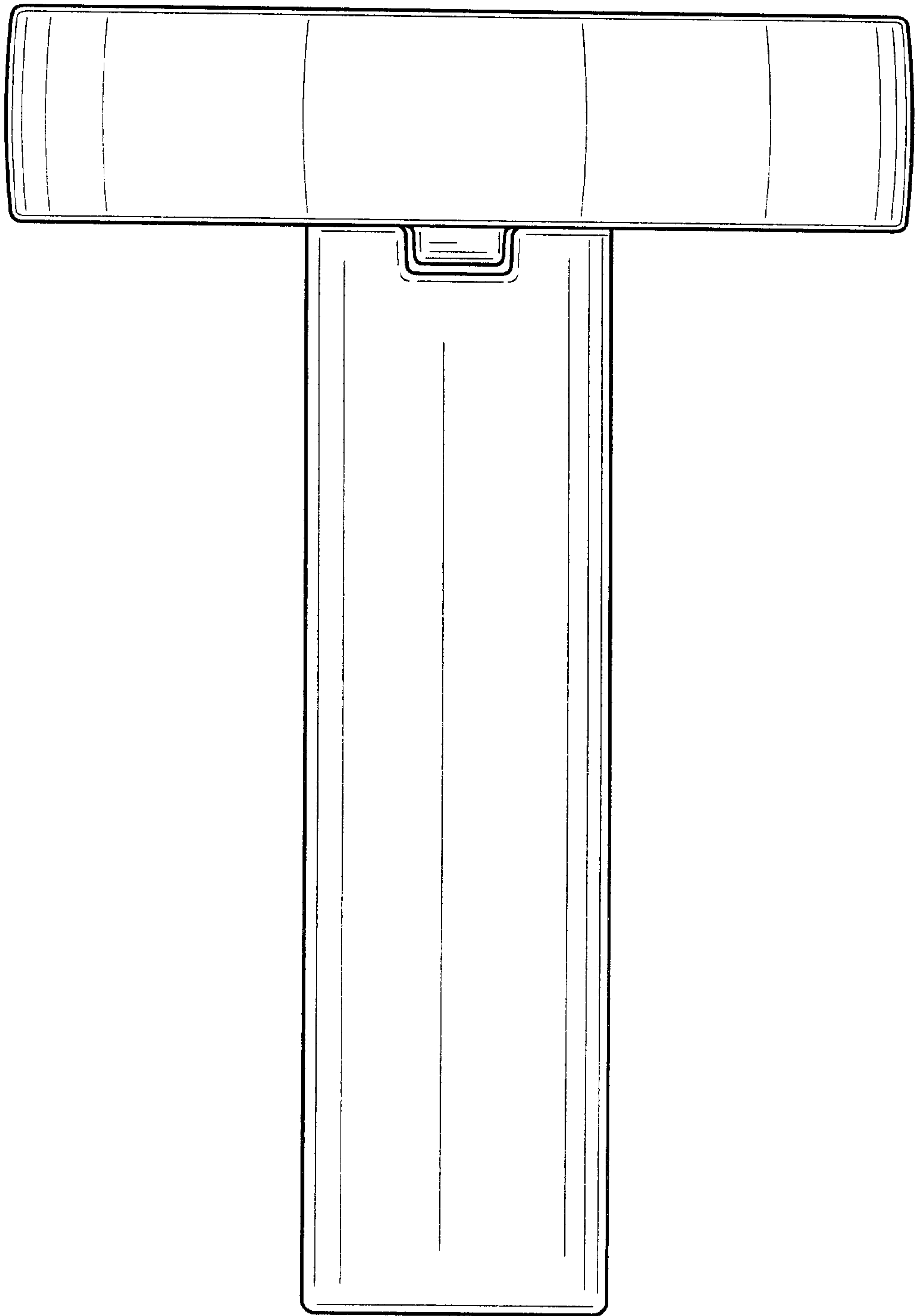


FIG. 4

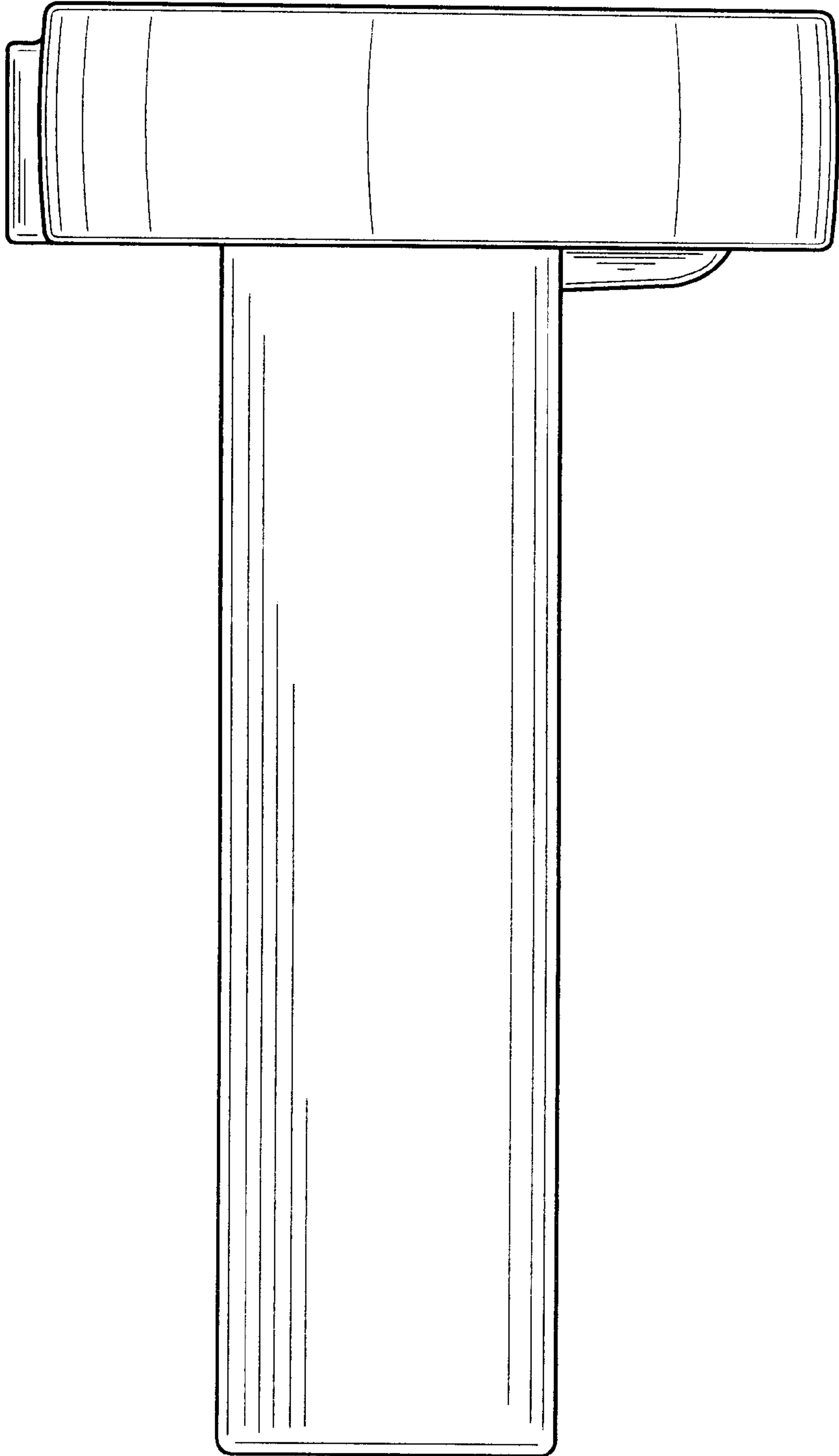


FIG. 5

