



US00D472615S

(12) **United States Design Patent**  
**Smith**

(10) **Patent No.:** **US D472,615 S**

(45) **Date of Patent:** **\*\* Apr. 1, 2003**

(54) **SPOUT**

(75) Inventor: **Michael S. Smith**, Santa Monica, CA (US)

(73) Assignee: **Kallista, Inc.**, Kohler, WI (US)

(\*\*) Term: **14 Years**

(21) Appl. No.: **29/158,391**

(22) Filed: **Apr. 3, 2002**

(51) **LOC (7) Cl.** ..... **23-01**

(52) **U.S. Cl.** ..... **D23/255; D23/238; D23/257**

(58) **Field of Search** ..... **D23/238-243, D23/250-257; 4/675, 678; 137/801**

(56) **References Cited**

**U.S. PATENT DOCUMENTS**

D87,829 S	*	9/1932	Ferguson	.....	D23/257
D448,832 S	*	10/2001	Fabian et al.	.....	D23/238
D461,000 S	*	7/2002	Müllenmeister	.....	D23/257
D462,418 S	*	9/2002	Smith	.....	D23/238

**OTHER PUBLICATIONS**

Undated Eljer catalog ad, p. 6.19, showing an "Orleans Roman" tub faucet, admitted prior art.

\* cited by examiner

*Primary Examiner*—Louis S. Zarfaz

*Assistant Examiner*—Gregory Andoll

(74) *Attorney, Agent, or Firm*—Quarles & Brady LLP

(57) **CLAIM**

The ornamental design for a spout, as shown and described.

**DESCRIPTION**

In a preferred embodiment, the nature of this product is as a spout for a plumbing fixture in the form of a faucet which is primarily useful for washing the body parts of humans.

FIG. 1 is a left, top, front perspective view of a spout embodying my new design;

FIG. 2 is a left side elevational view thereof, the right side elevational view being a mirror image of the left side shown;

FIG. 3 is a top plan view thereof;

FIG. 4 is a front elevational view thereof;

FIG. 5 is a rear elevational view thereof; and,

FIG. 6 is a bottom plan view thereof.

The broken line representations of an escutcheon base in FIGS. 1-5, and of mounting structure in FIG. 6, are for the purpose of illustration only, and form no part of the claimed design.

**1 Claim, 2 Drawing Sheets**

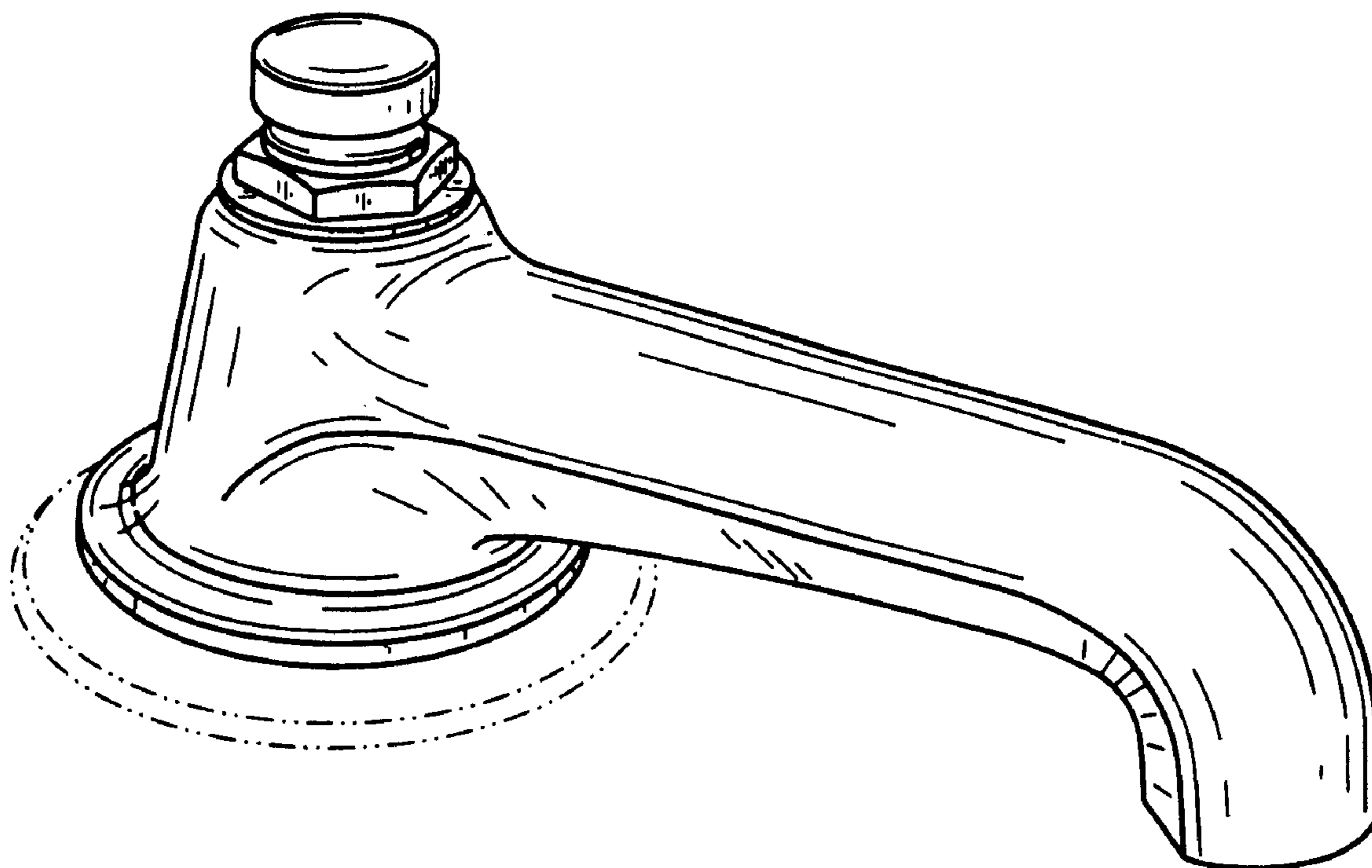


FIG. 1

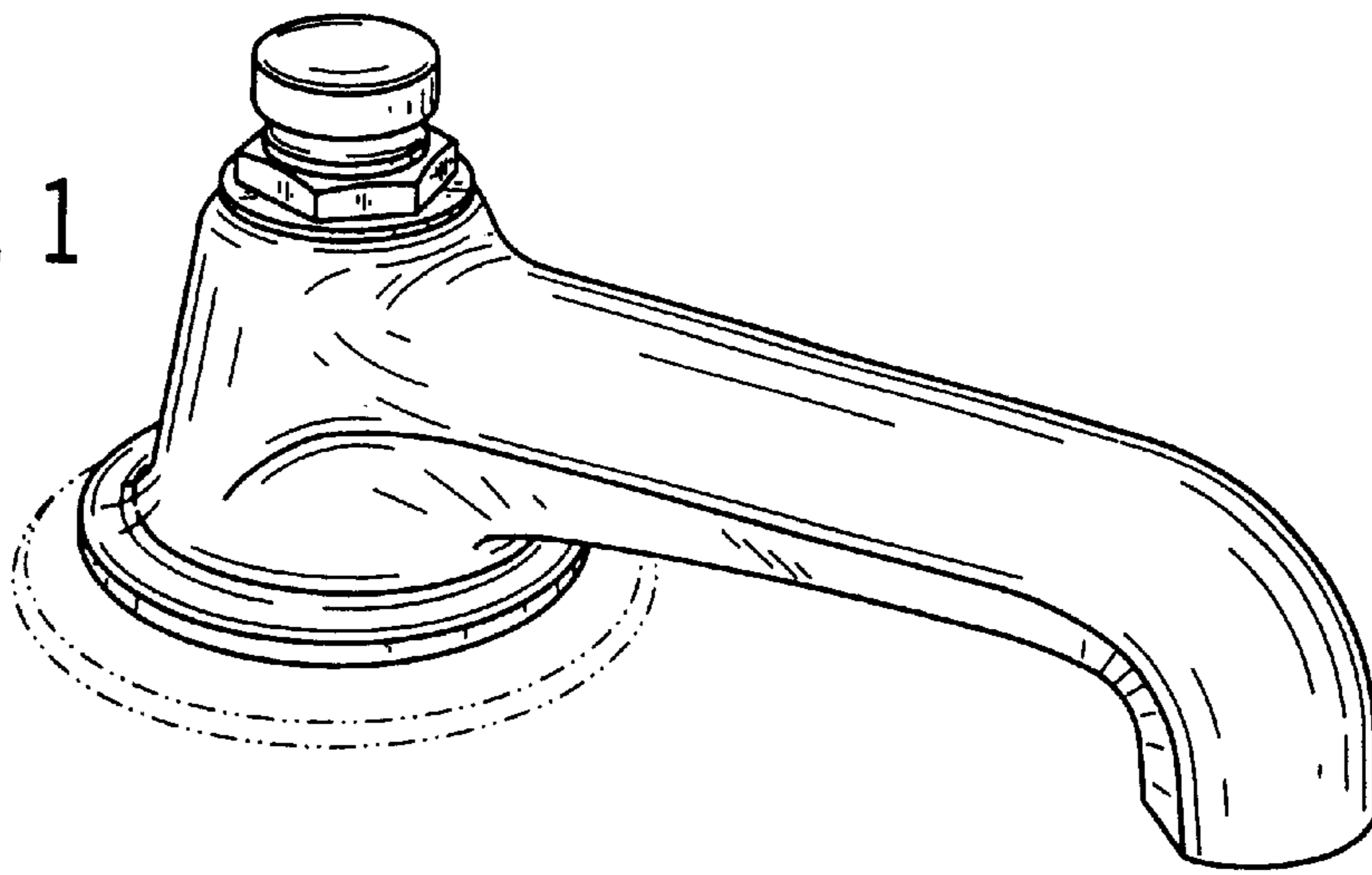


FIG. 2

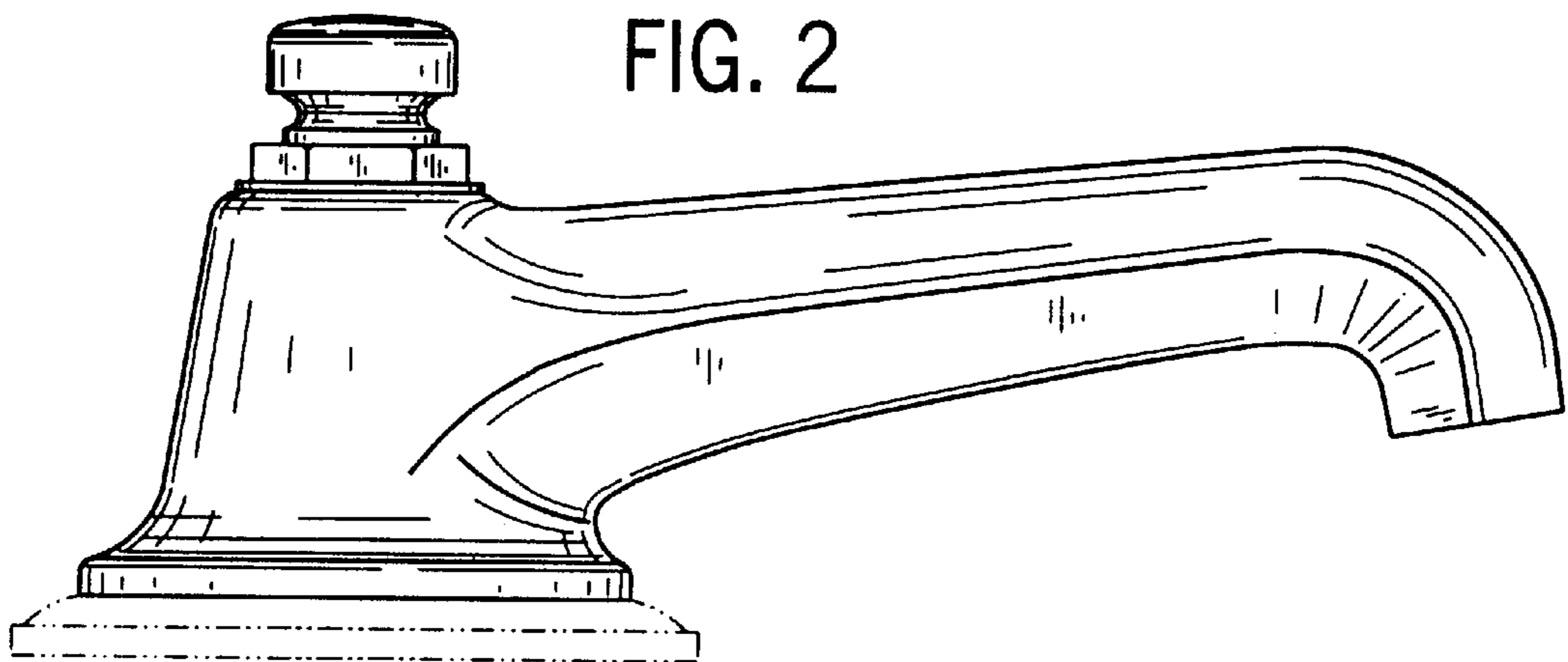


FIG. 3

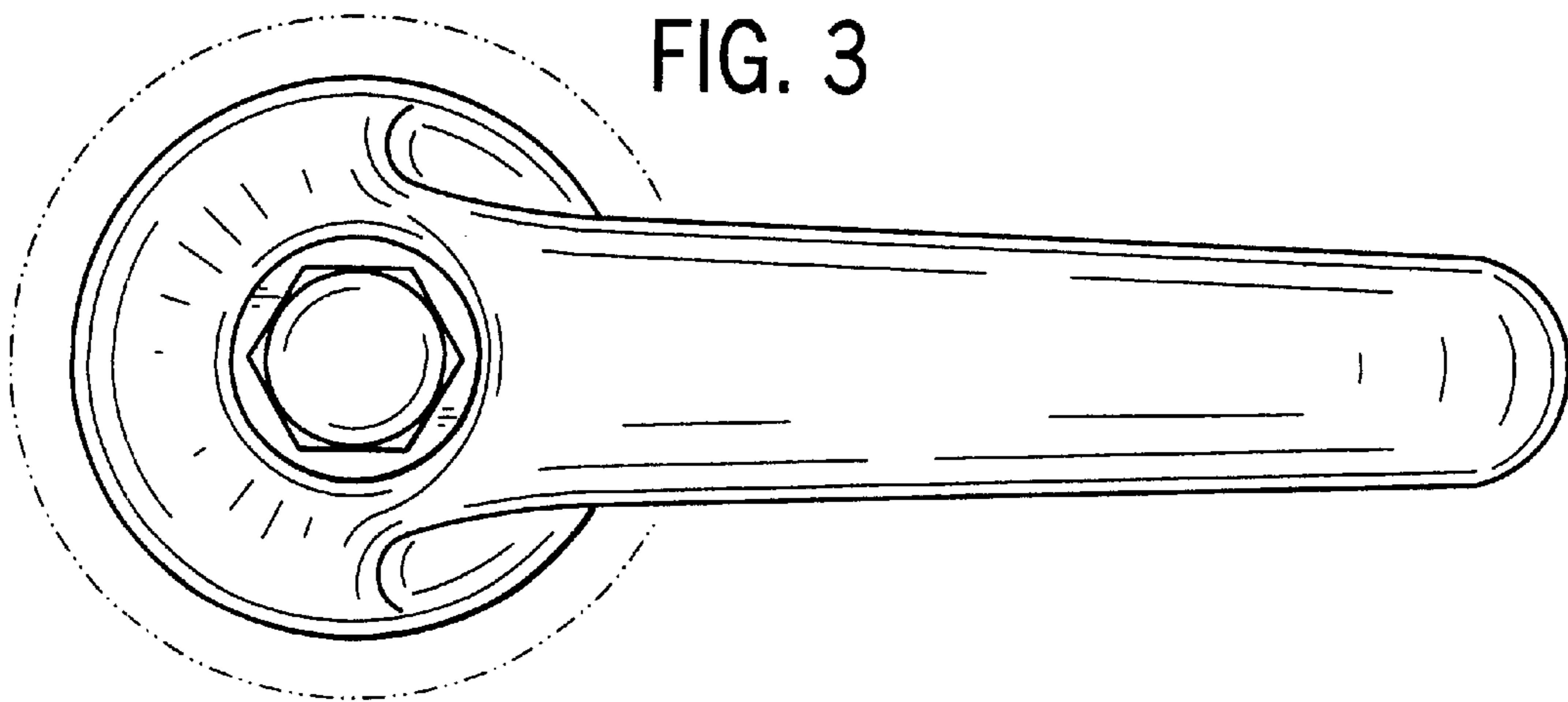


FIG. 4

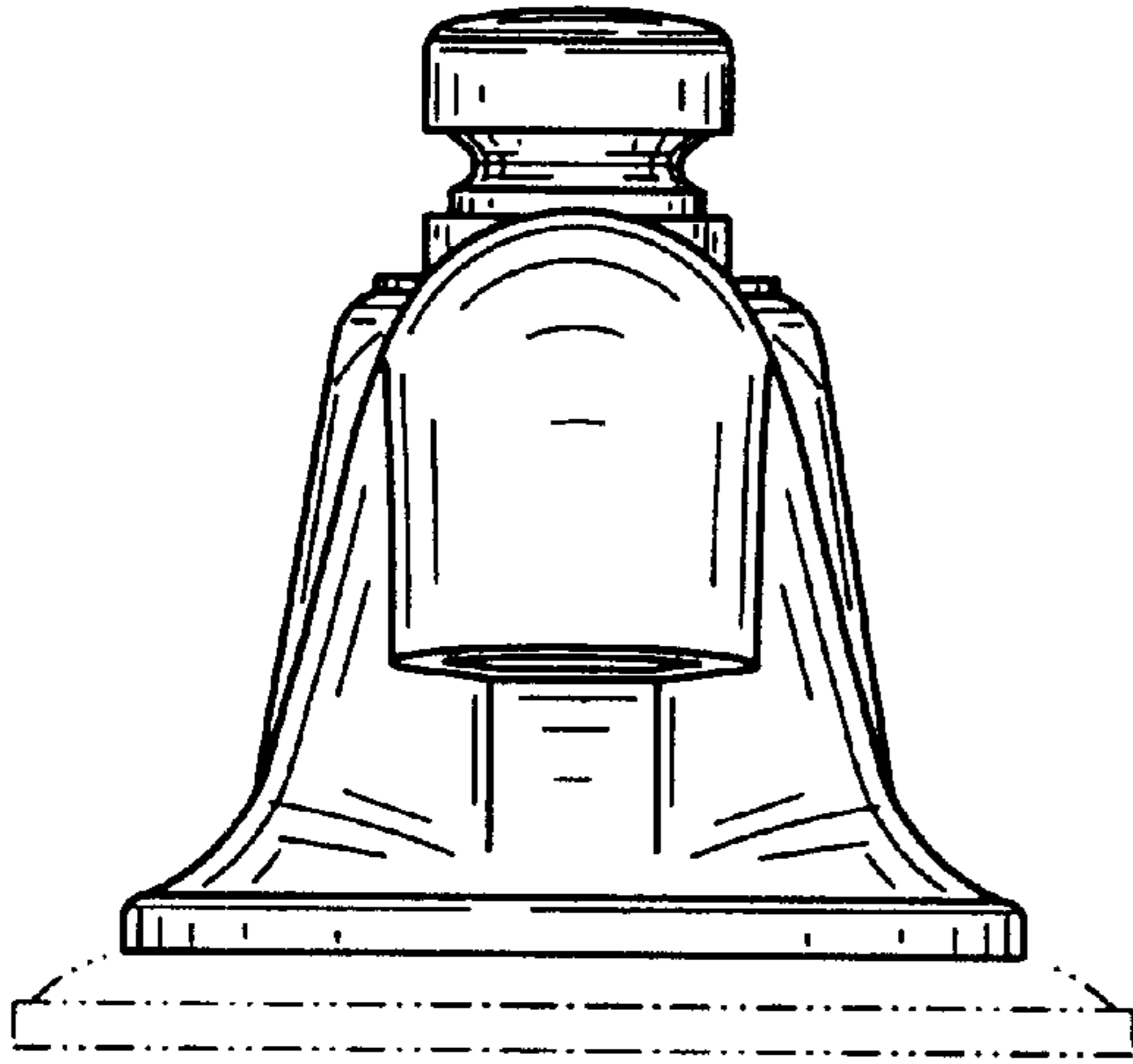


FIG. 5

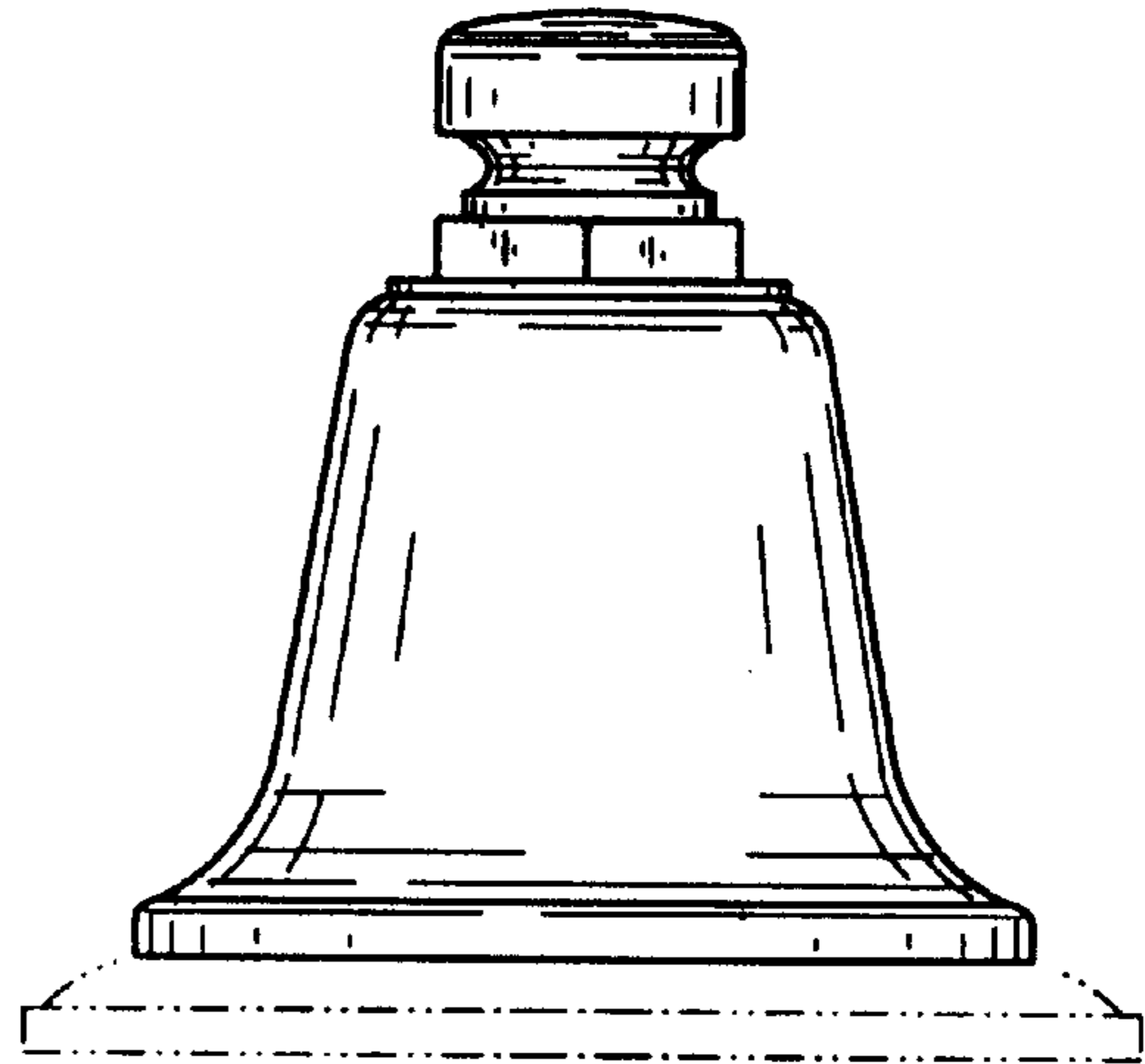


FIG. 6

