



US00D472614S

(12) **United States Design Patent**
Marshall

(10) **Patent No.:** **US D472,614 S**

(45) **Date of Patent:** **** Apr. 1, 2003**

(54) **SANITARY MIXING VALVE, ESPECIALLY THE VISIBLE PART OF A BUILT-IN MIXING VALVE**

Primary Examiner—Louis S. Zarfaz
Assistant Examiner—Gregory Andoll
(74) *Attorney, Agent, or Firm*—Duane Morris LLP

(75) **Inventor:** **Chris Marshall, Cumming, GA (US)**

(57) **CLAIM**

(73) **Assignee:** **Hansgrohe AG, Schiltach (DE)**

The ornamental design for a sanitary mixing valve, especially the visible part of a built-in mixing valve, as shown and described.

(**) **Term:** **14 Years**

(21) **Appl. No.:** **29/158,413**

DESCRIPTION

(22) **Filed:** **Apr. 4, 2002**

(51) **LOC (7) Cl.** **23-01**

(52) **U.S. Cl.** **D23/254**

(58) **Field of Search** D23/238–243,
D23/245, 249–257; D8/300–310, 350–354;
4/675–678; 137/801; 16/110.1, 431

FIG. 1: is a side perspective view of a sanitary mixing valve, especially the visible part of a built-in mixing valve, showing my new design;

FIG. 2: is a front elevation view thereof;

FIG. 3: is a side elevation view thereof, the opposite side being a mirror image;

FIG. 4: is a top plan view thereof;

FIG. 5: is a bottom plan view thereof; and,

FIG. 6: is a rear elevation view thereof.

(56) **References Cited**

PUBLICATIONS

2000 Moen Price Catalog, pp. 40–41, 44–45 (1999).

Catalog, BÄDer 2001, 6 pages (2000).

Product Porfolio, Price Pfister, 6 pages (1999).

1 Claim, 5 Drawing Sheets

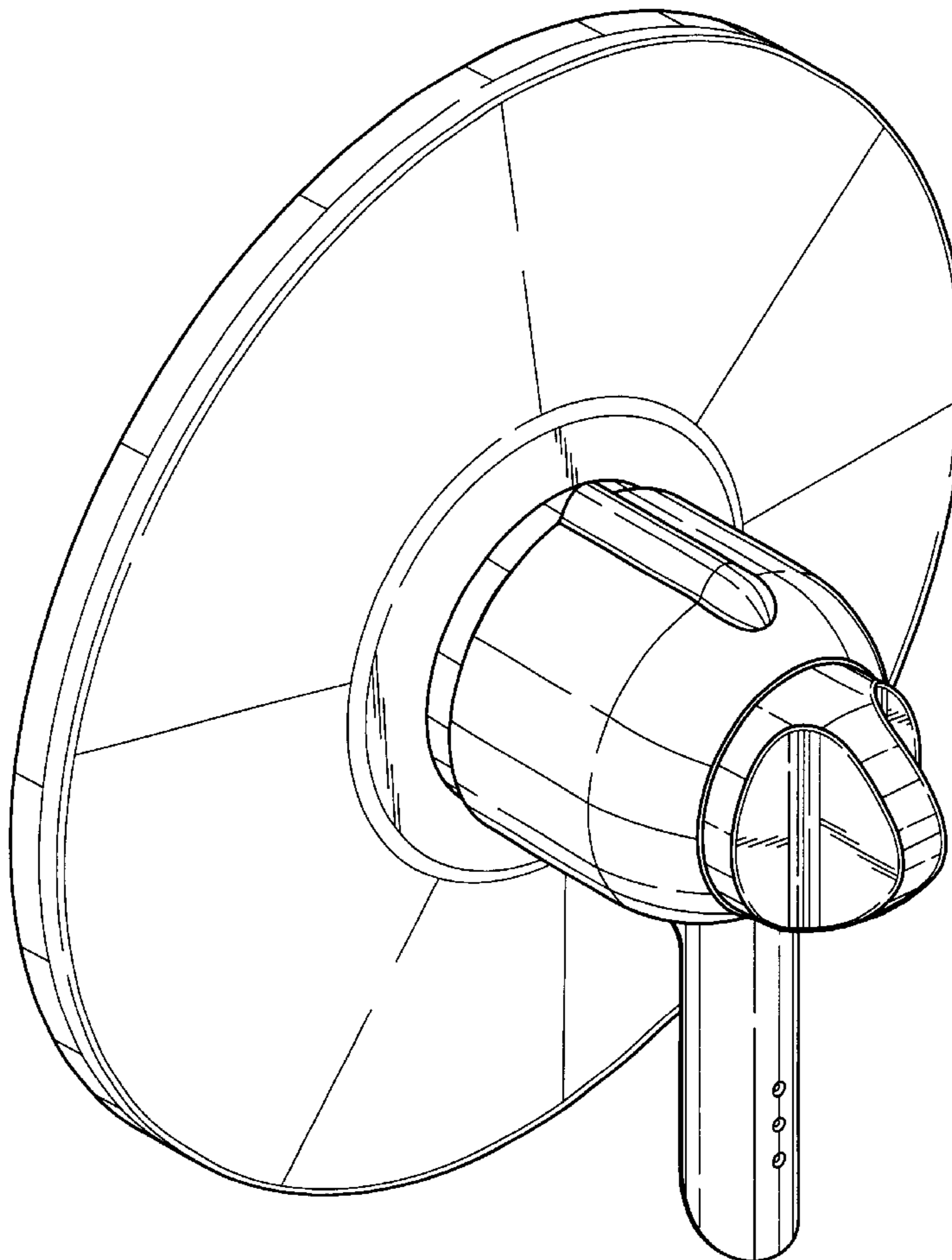


Fig. 1

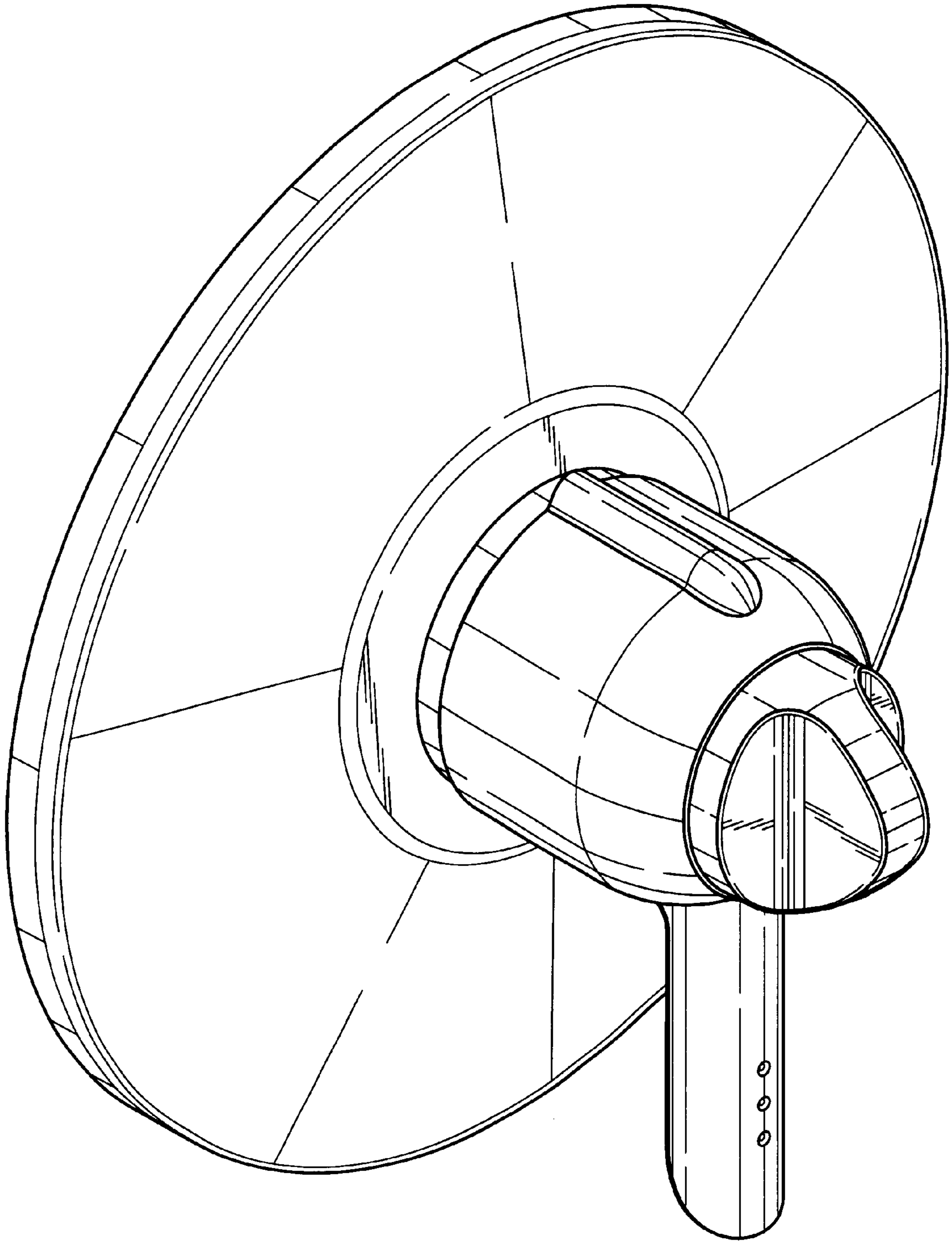


Fig. 2

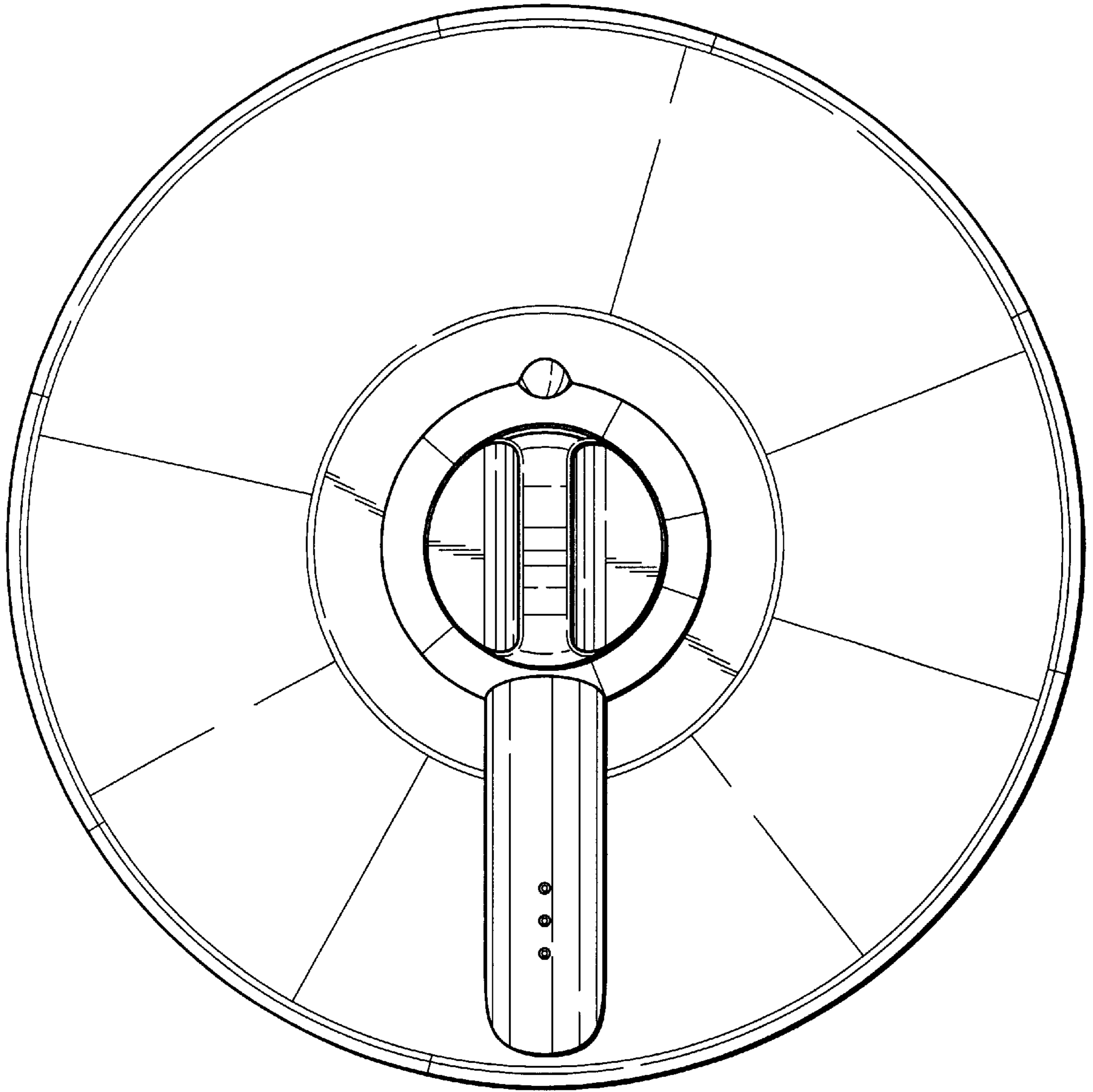


Fig. 3

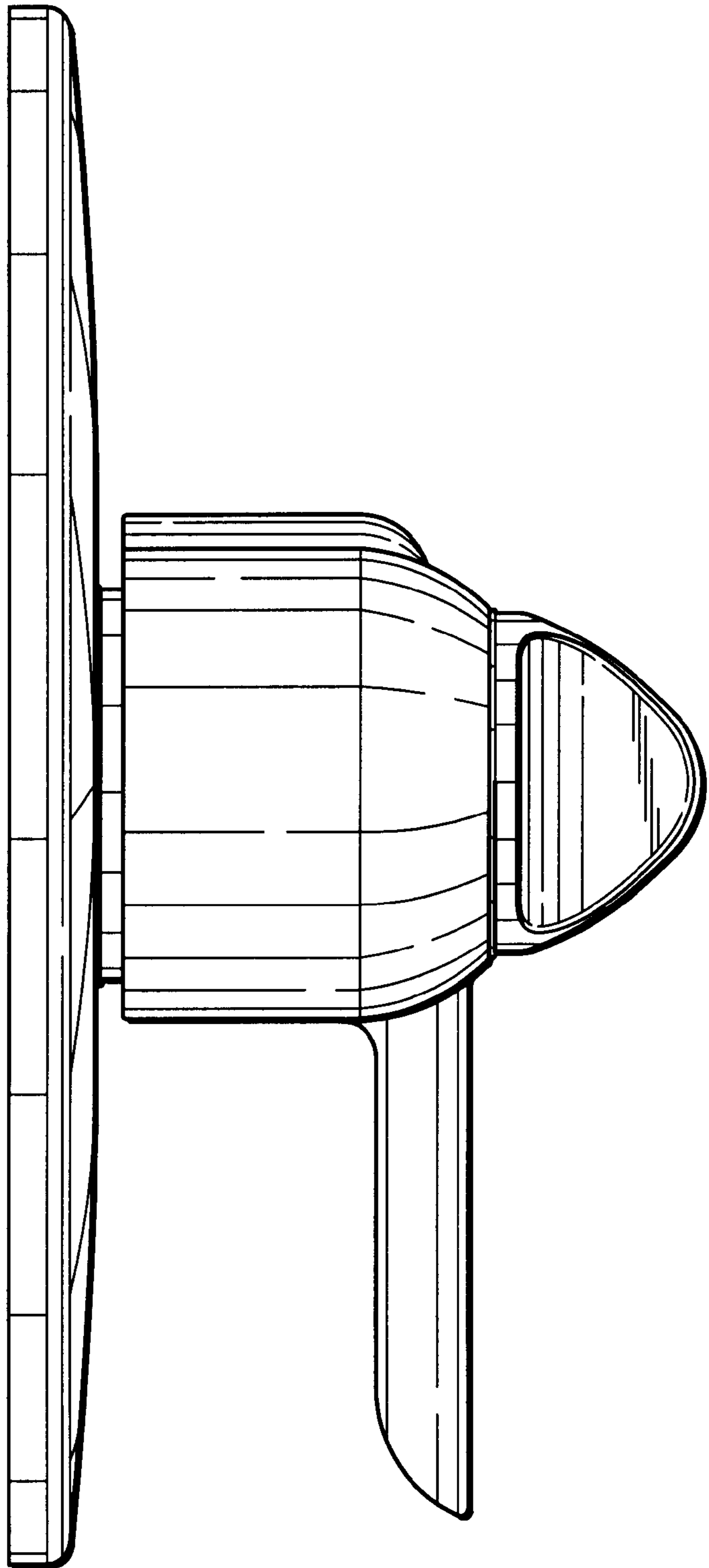


Fig. 4

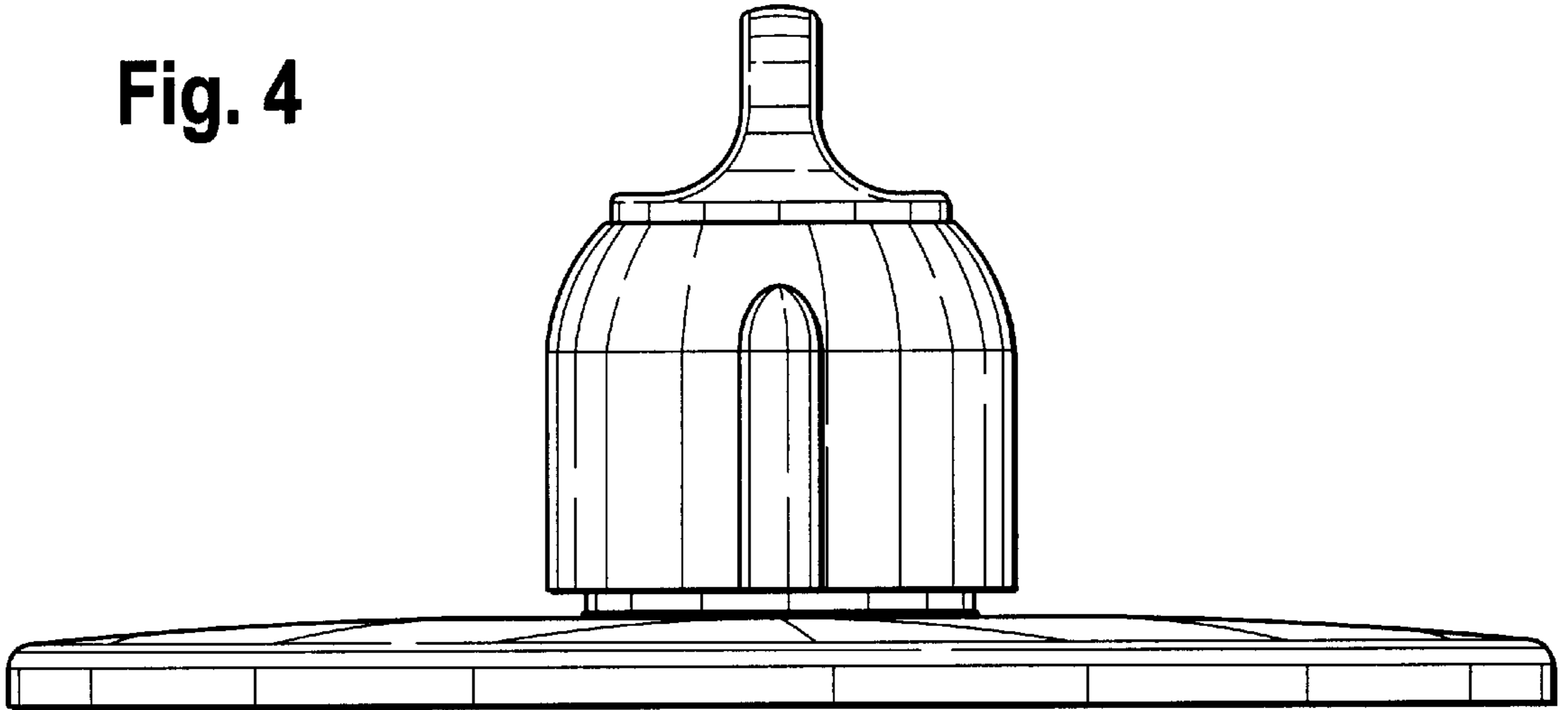


Fig. 5

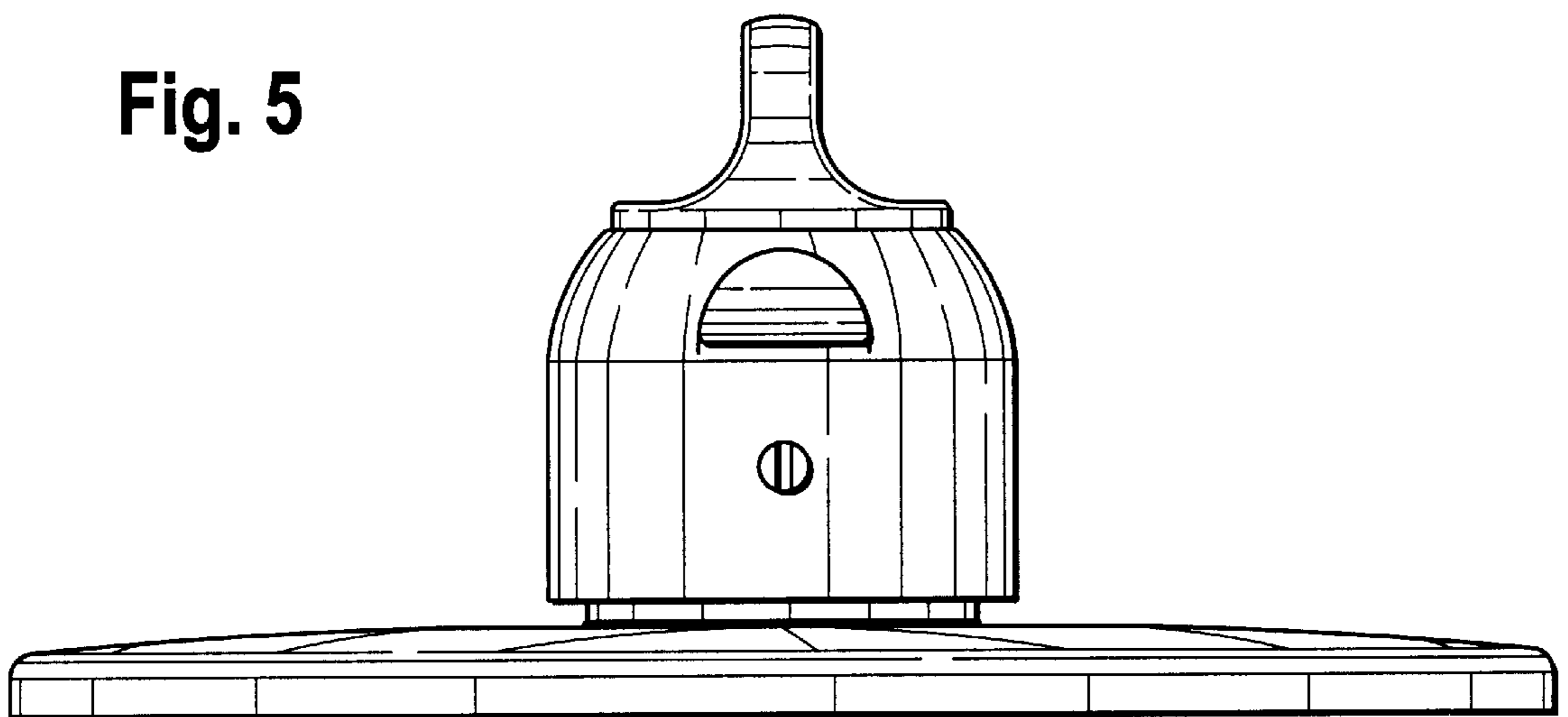


Fig. 6

