



US00D472609S

(12) **United States Design Patent**  
**Marshall**

(10) **Patent No.:** **US D472,609 S**

(45) **Date of Patent:** **\*\* Apr. 1, 2003**

(54) **SANITARY FAUCET**

D460,534 S \* 7/2002 Hanna et al. .... D23/252

(75) Inventor: **Chris Marshall**, Cumming, GA (US)

**OTHER PUBLICATIONS**

(73) Assignee: **Hansgrohe AG**, Schiltach (DE)

2000 Moen Price Catalog, pp. 40-41,44-45(1999).

Catalog, BÄDER 2001. 6 pages (2000).

(\*\*) Term: **14 Years**

Product Portfolio, Price Pfister, 6 pages (1999).

\* cited by examiner

(21) Appl. No.: **29/158,402**

*Primary Examiner*—Louis S. Zarfaz

(22) Filed: **Apr. 4, 2002**

*Assistant Examiner*—Gregory Andoll

(51) **LOC (7) Cl.** ..... **23-01**

(74) *Attorney, Agent, or Firm*—Duane Morris LLP

(52) **U.S. Cl.** ..... **D23/242**

(57) **CLAIM**

(58) **Field of Search** ..... D23/238-243,  
D23/250-257; 4/675-678; 137/801

The ornamental design for a sanitary faucet, as shown and described.

(56) **References Cited**

**DESCRIPTION**

**U.S. PATENT DOCUMENTS**

D357,526 S	*	4/1995	Jans	.....	D23/257
D392,720 S	*	3/1998	Doughty et al.	.....	D23/250
D404,467 S	*	1/1999	Doughty et al.	.....	D23/242
D406,880 S	*	3/1999	Doughty et al.	.....	D23/255
D416,981 S	*	11/1999	Warshawsky et al.	.....	D23/241
D439,954 S	*	4/2001	Spangler	.....	D23/250
D440,282 S	*	4/2001	Lord	.....	D23/241
D448,453 S	*	9/2001	Lord	.....	D23/241

FIG. 1: is a side perspective view of a sanitary faucet showing my new design;

FIG. 2: is a side elevation view thereof;

FIG. 3: is a top plan view thereof;

FIG. 4: is a front elevation view thereof;

FIG. 5: is a rear elevation view thereof; and,

FIG. 6: is a bottom plan view thereof.

**1 Claim, 3 Drawing Sheets**

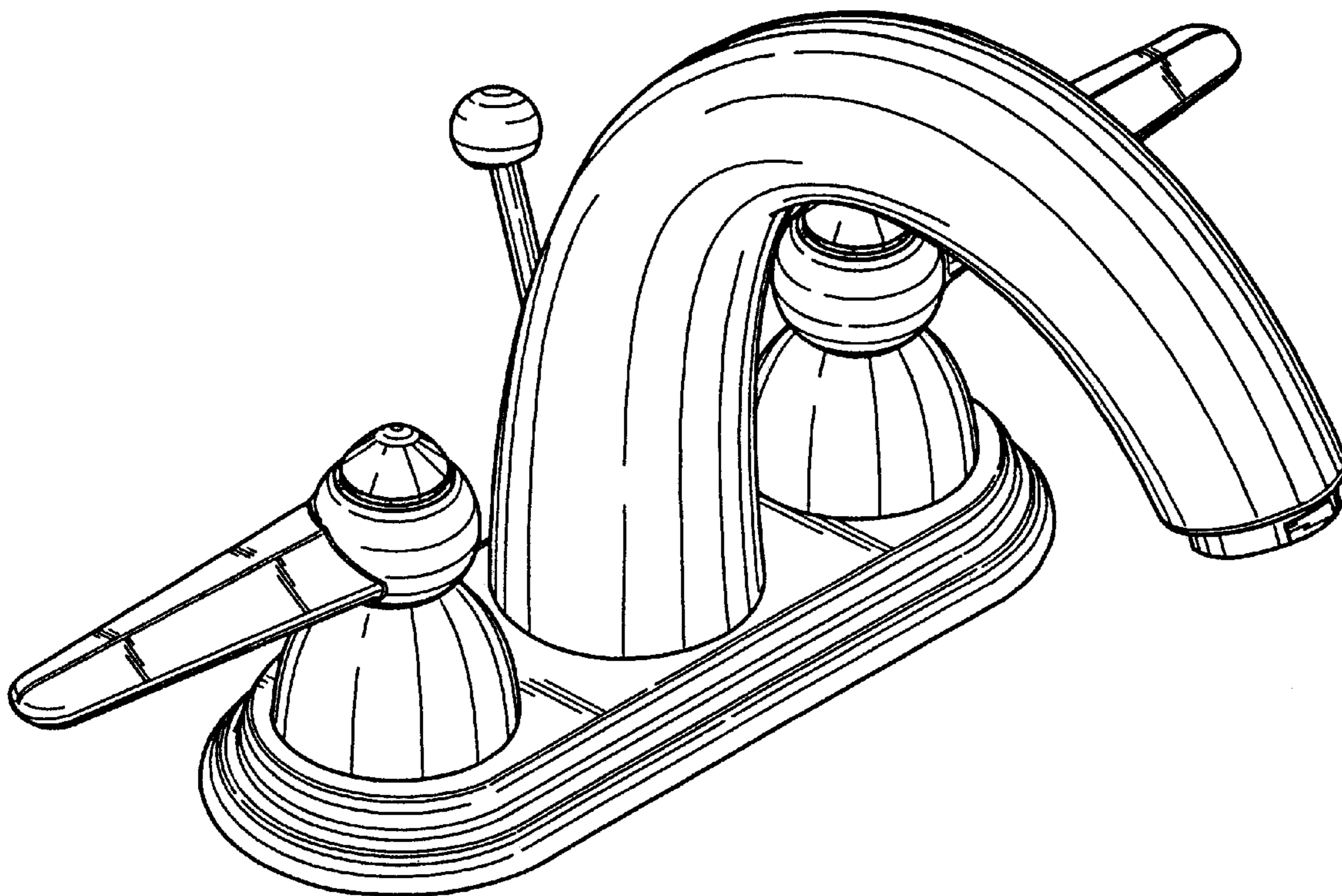


FIG.1

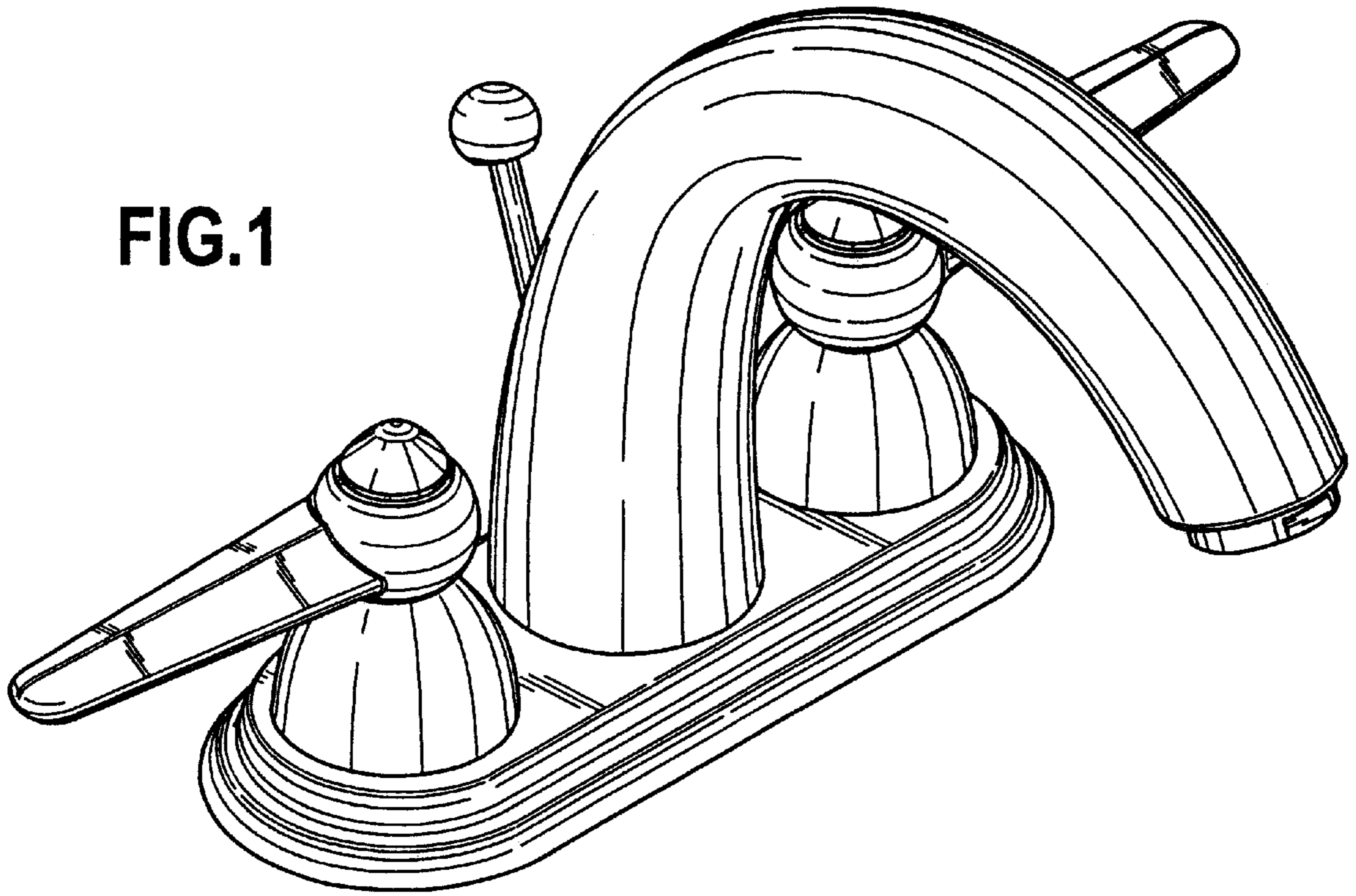
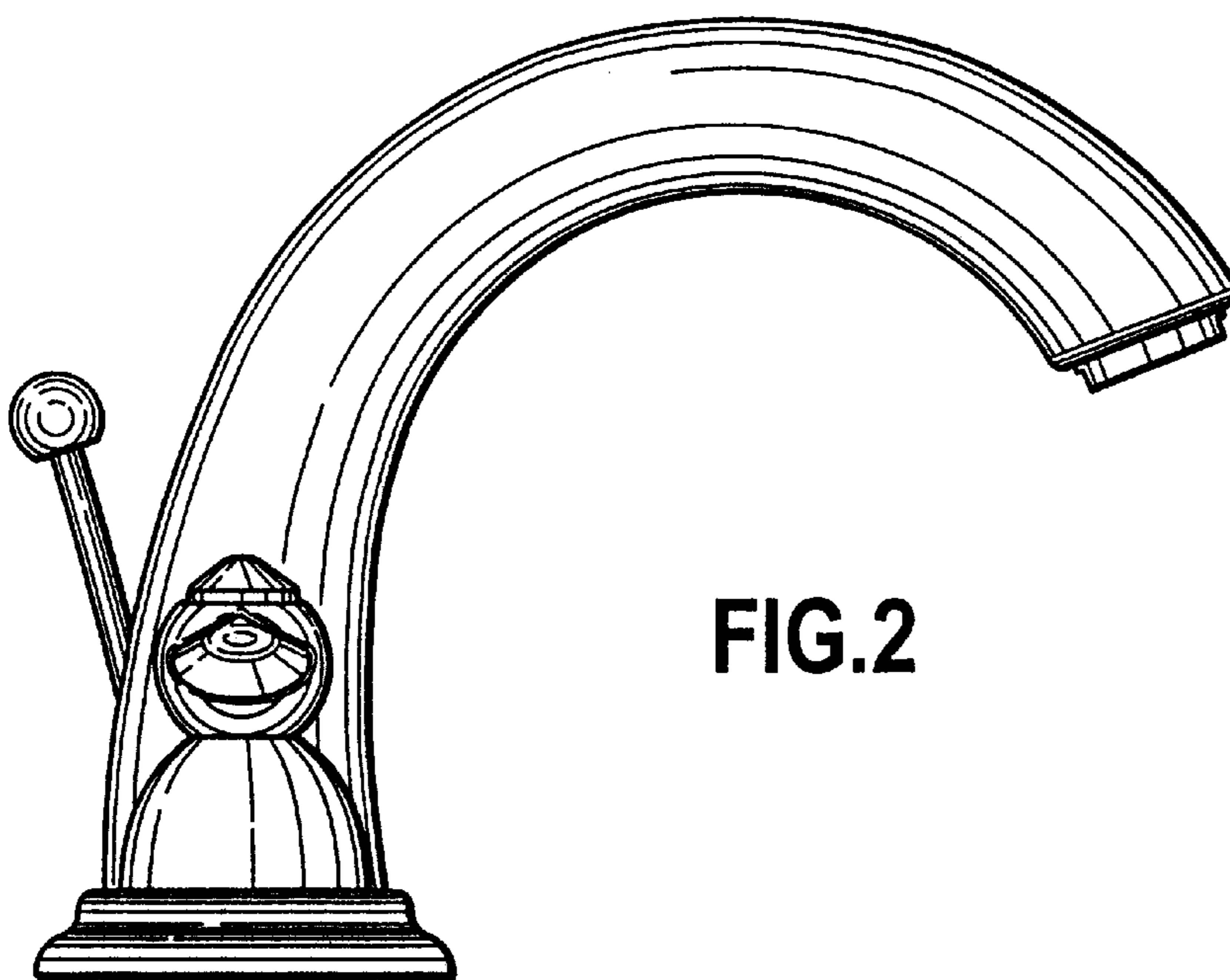
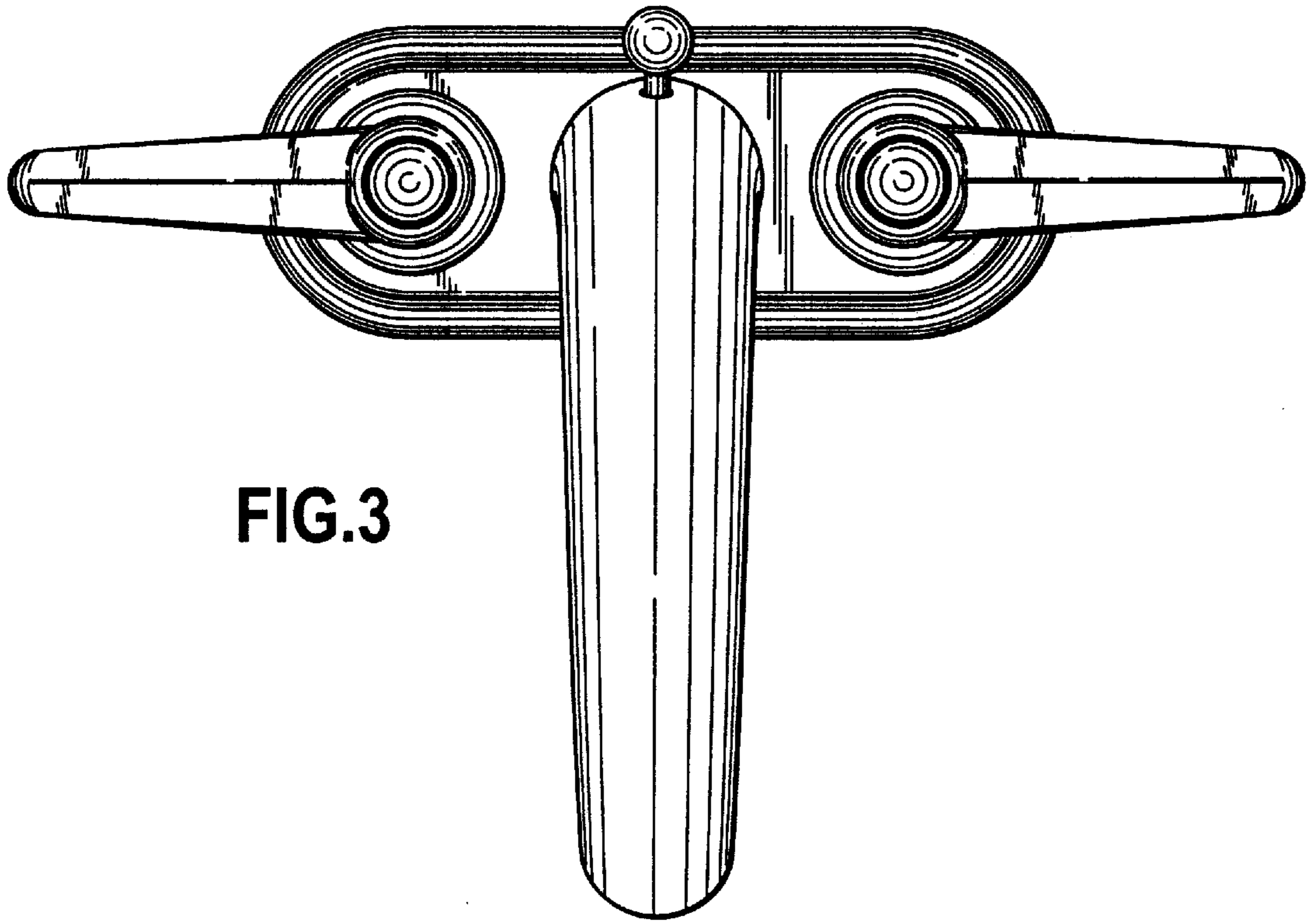
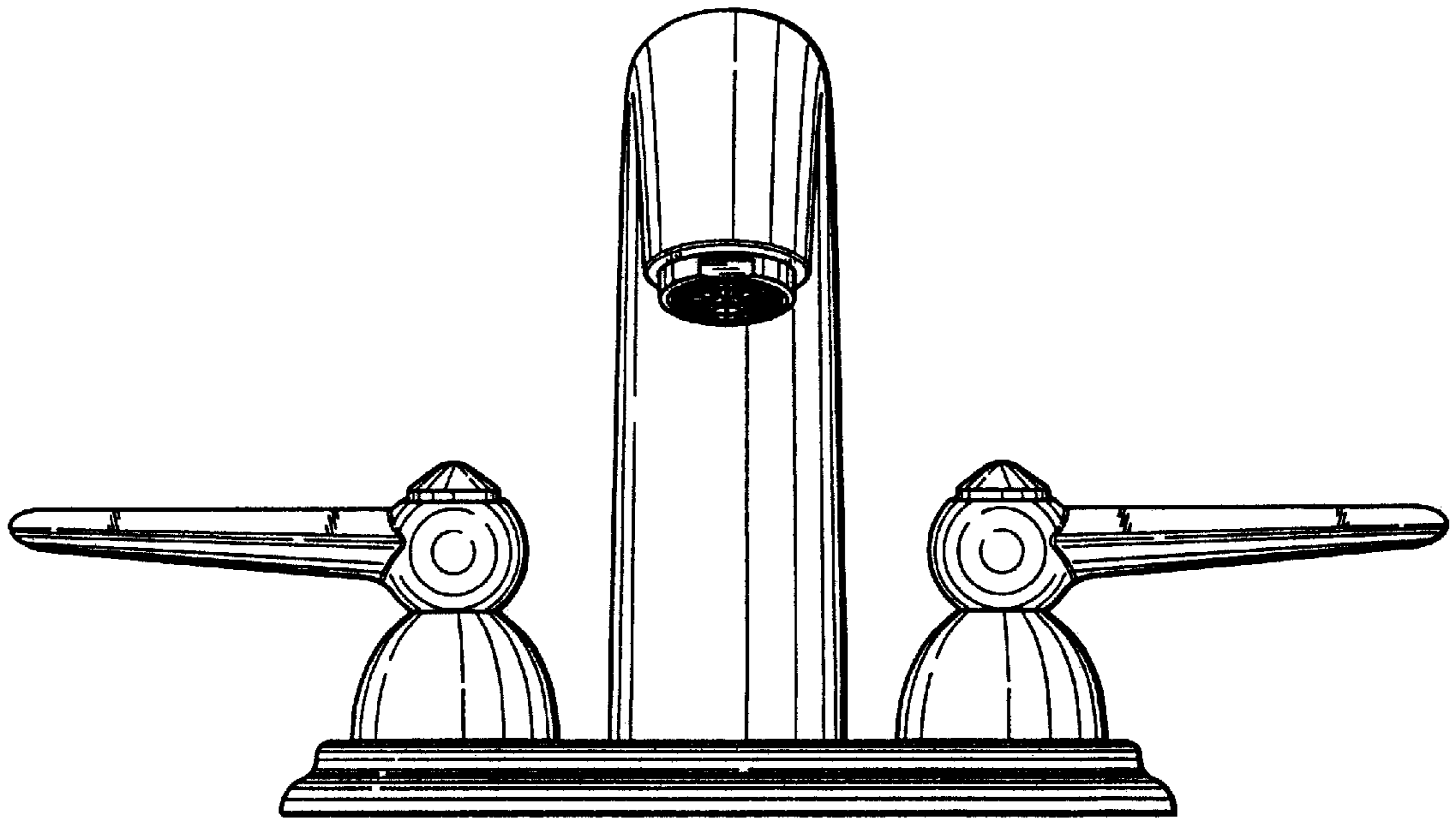


FIG.2





**FIG.3**



**FIG.4**

FIG.5

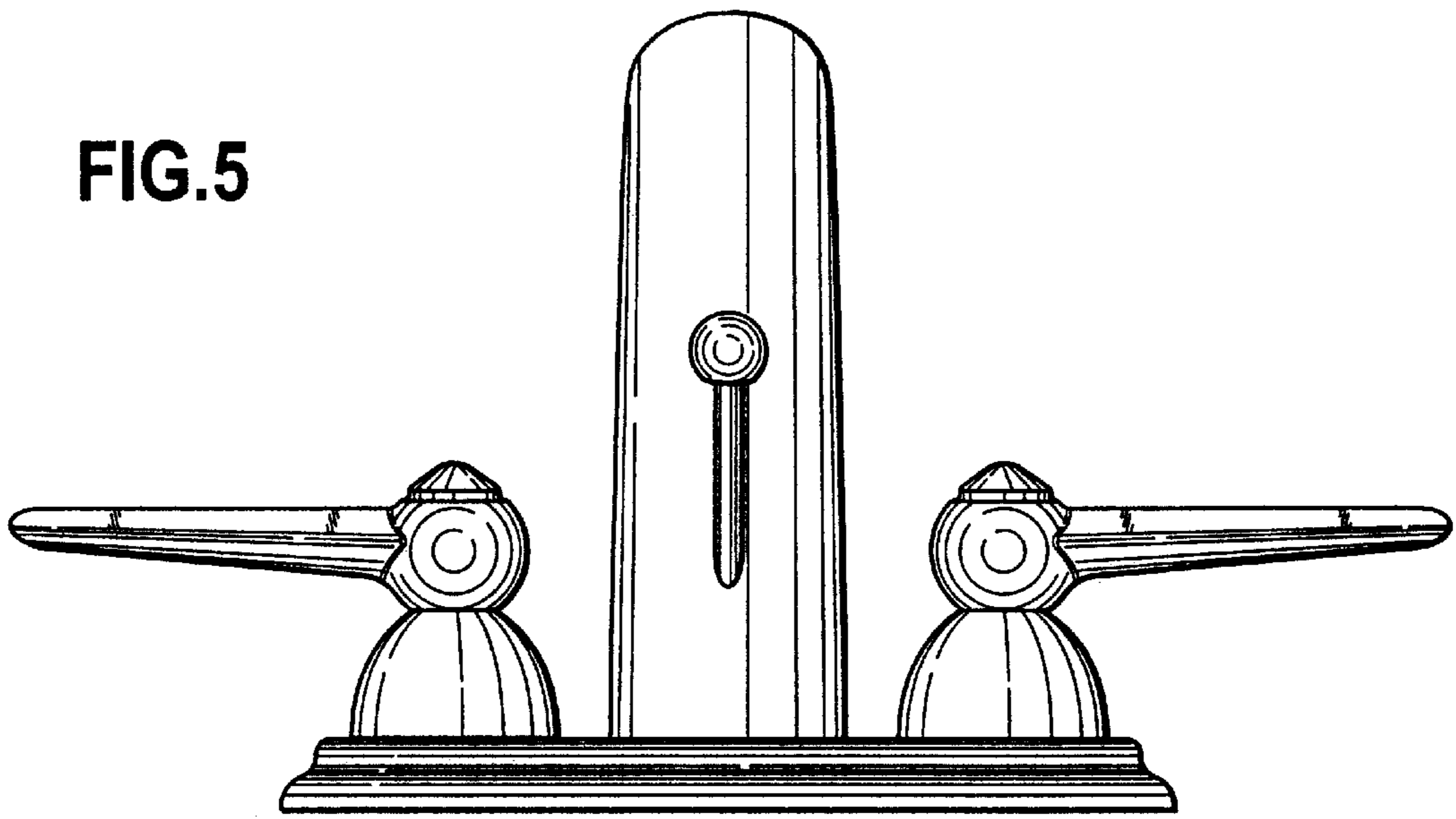


FIG.6

