



US00D472608S

(12) **United States Design Patent**
Shieh

(10) **Patent No.:** **US D472,608 S**

(45) **Date of Patent:** **** Apr. 1, 2003**

(54) **FAUCET**

D461,532 S * 8/2002 Ouyoung D23/242

(76) **Inventor:** **Ming-Chung Shieh**, 58, Ma Yuan West St., Taichung (TW)

* cited by examiner

(**) **Term:** **14 Years**

Primary Examiner—Louis S. Zarfes
Assistant Examiner—Gregory Andoll

(21) **Appl. No.:** **29/166,658**

(57) **CLAIM**

(22) **Filed:** **Aug. 29, 2002**

The ornamental design for a faucet, as shown and described.

(51) **LOC (7) Cl.** **23-01**

DESCRIPTION

(52) **U.S. Cl.** **D23/241**

FIG. 1 is a perspective view of a faucet showing my new design;
FIG. 2 is a front elevational view thereof;
FIG. 3 is a rear elevational view thereof;
FIG. 4 is a left side elevational view thereof;
FIG. 5 is a right side elevational view thereof;
FIG. 6 is a top plan view thereof; and,
FIG. 7 is a bottom plan view thereof.

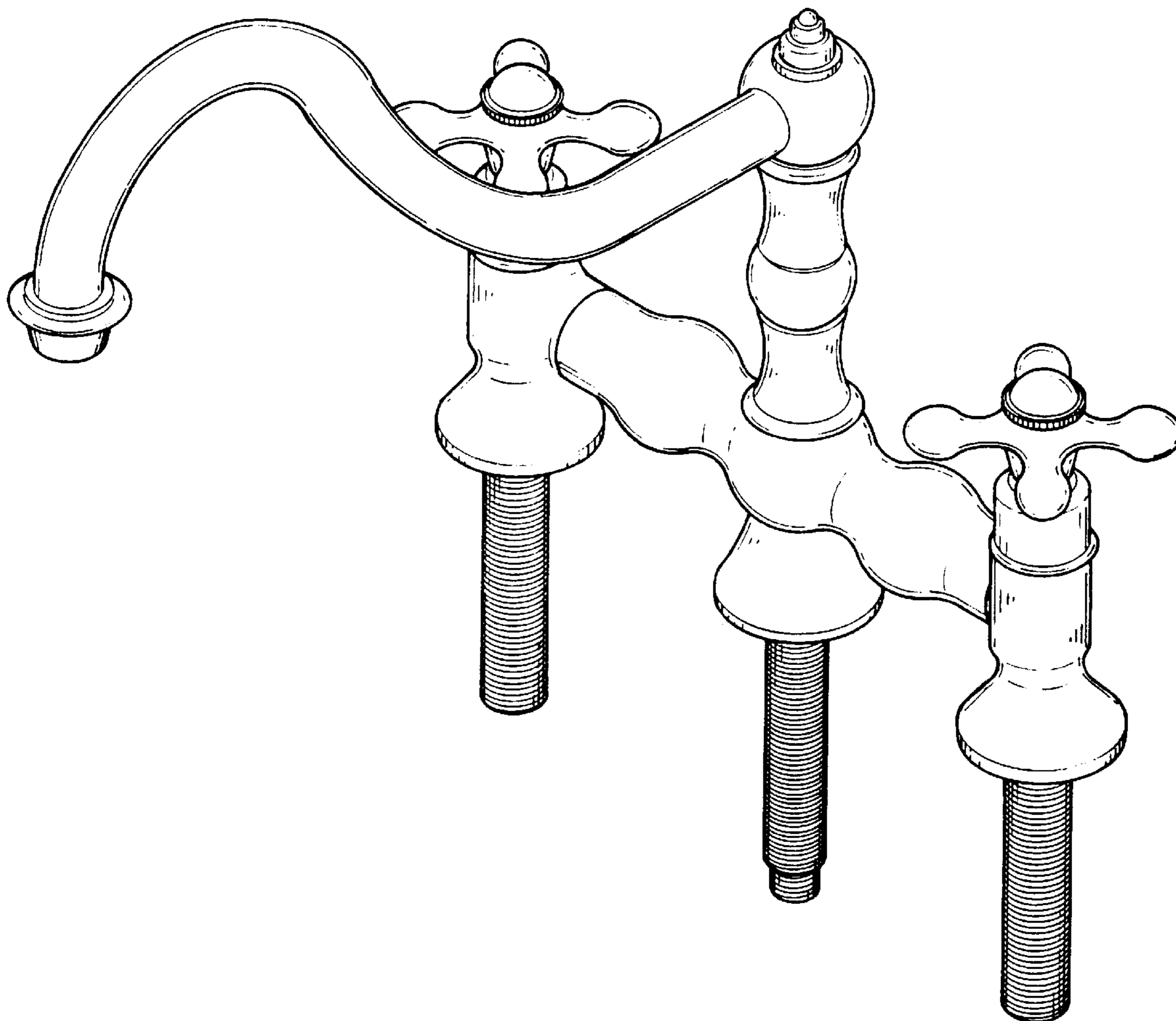
(58) **Field of Search** D23/238–243,
D23/250–257; 4/675–678; 137/801

(56) **References Cited**

U.S. PATENT DOCUMENTS

- D25,458 S * 5/1896 Mackin D23/238
- D149,386 S * 4/1948 Smolensky D23/241
- D375,345 S * 11/1996 Warshawsky D23/241

1 Claim, 7 Drawing Sheets



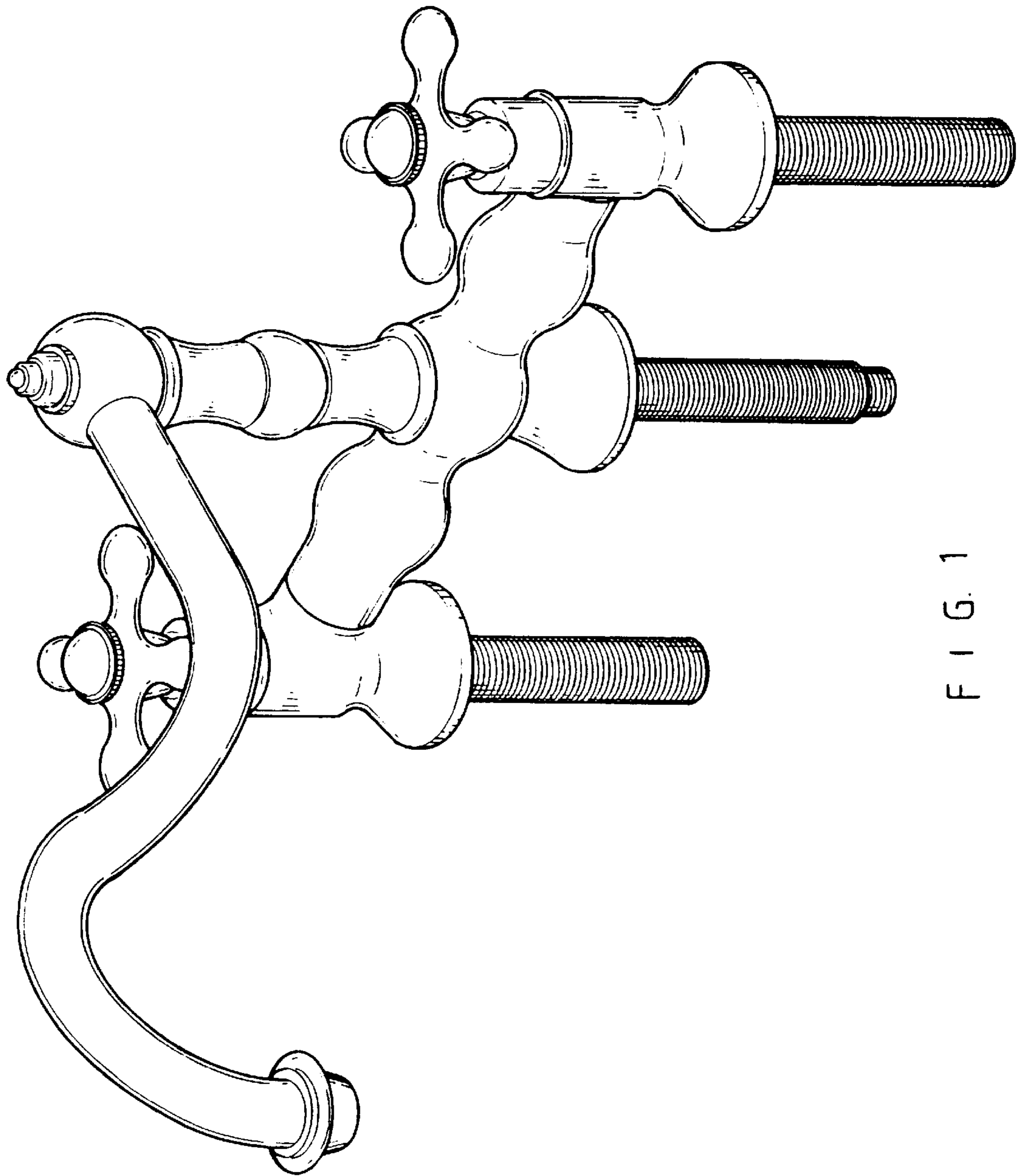
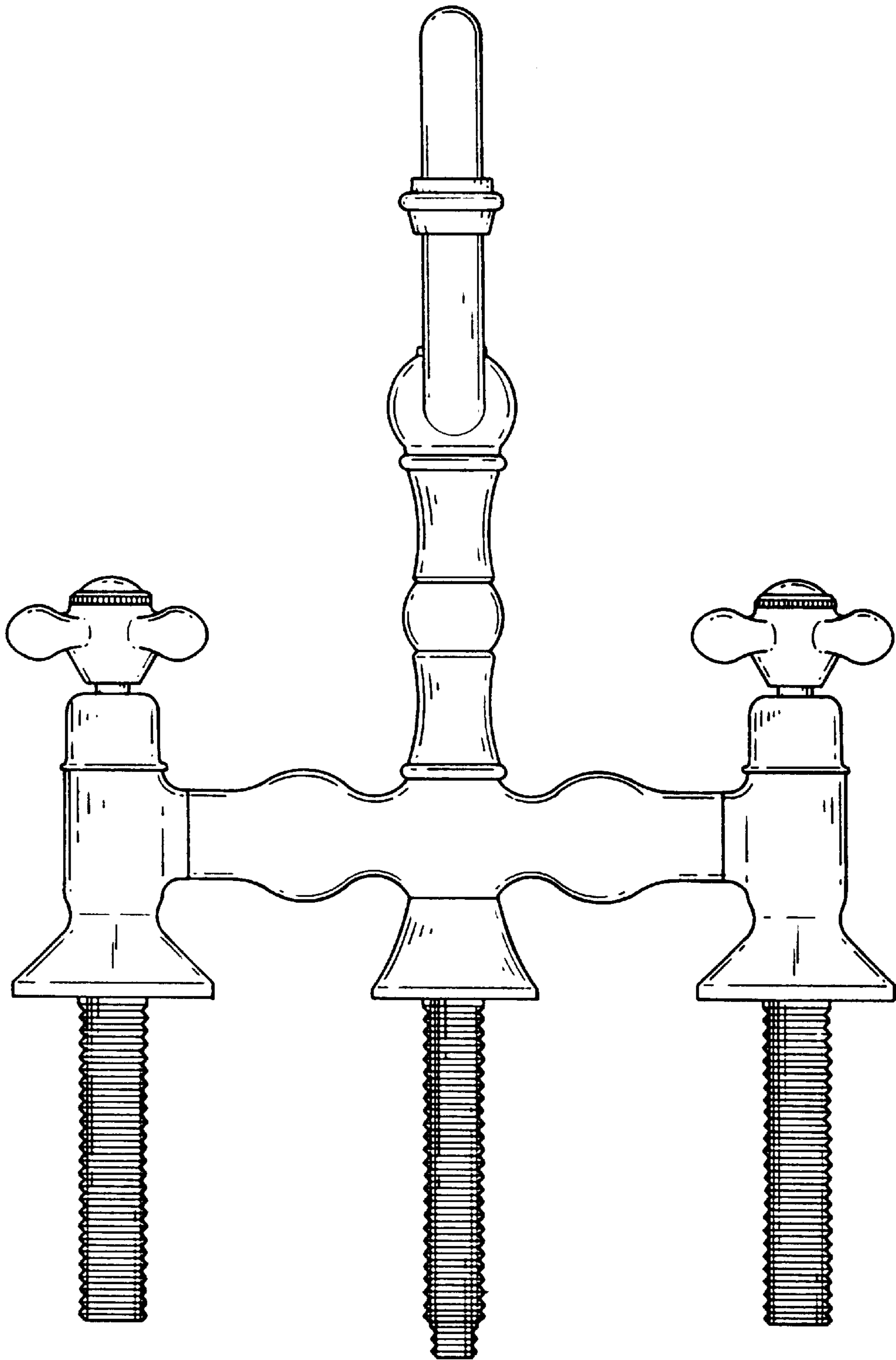


FIG. 1



F I G. 2

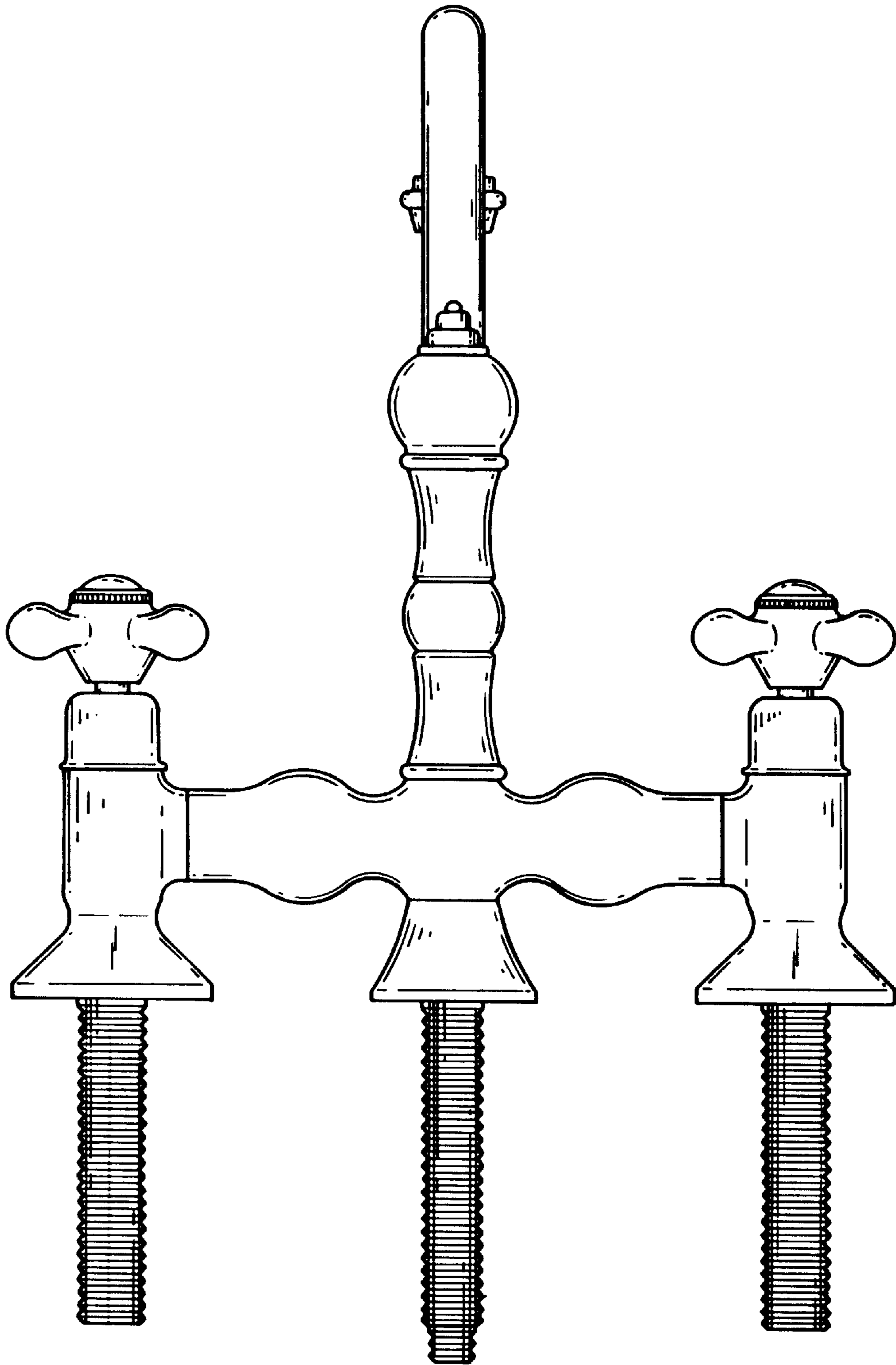


FIG. 3

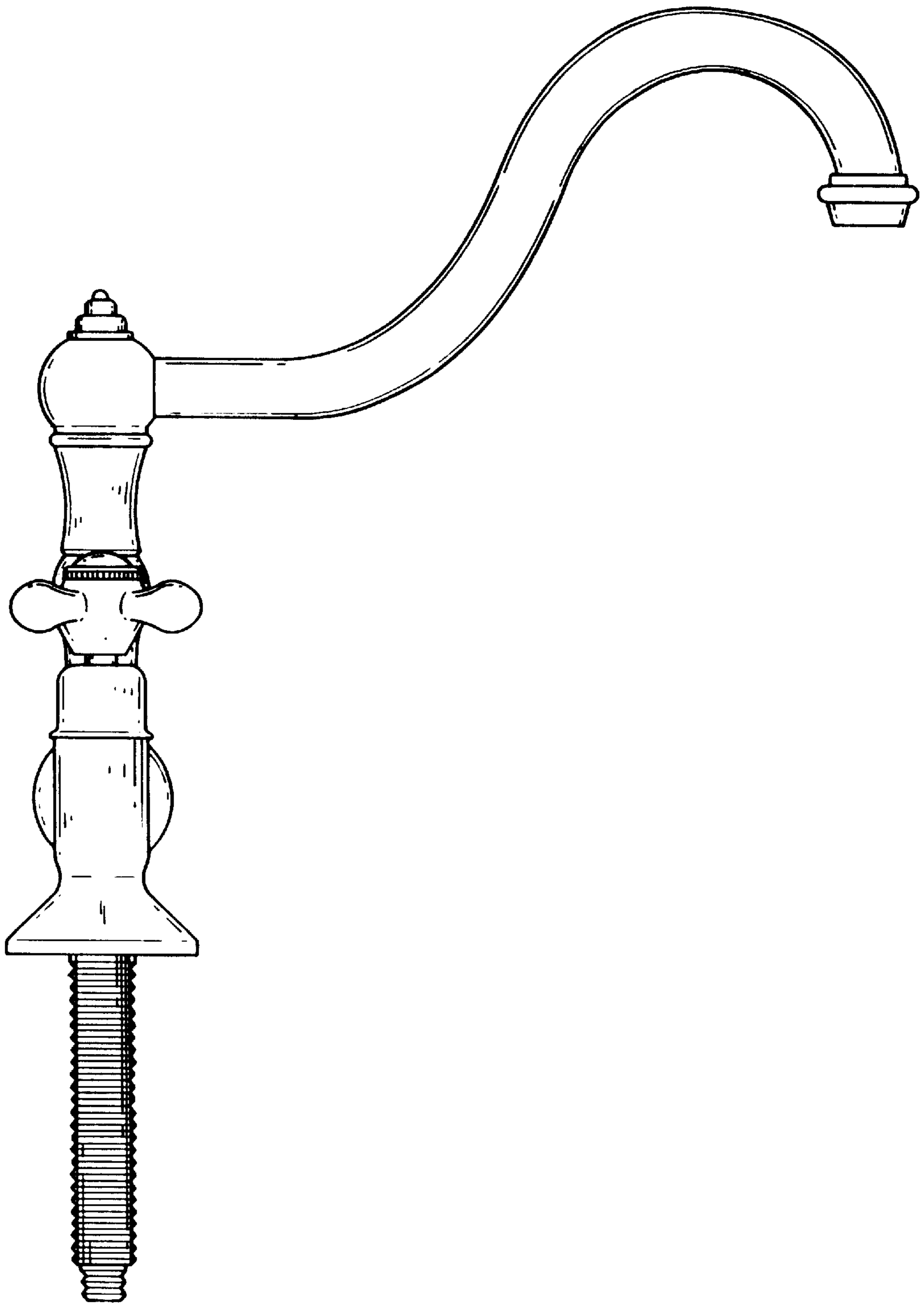


FIG. 4

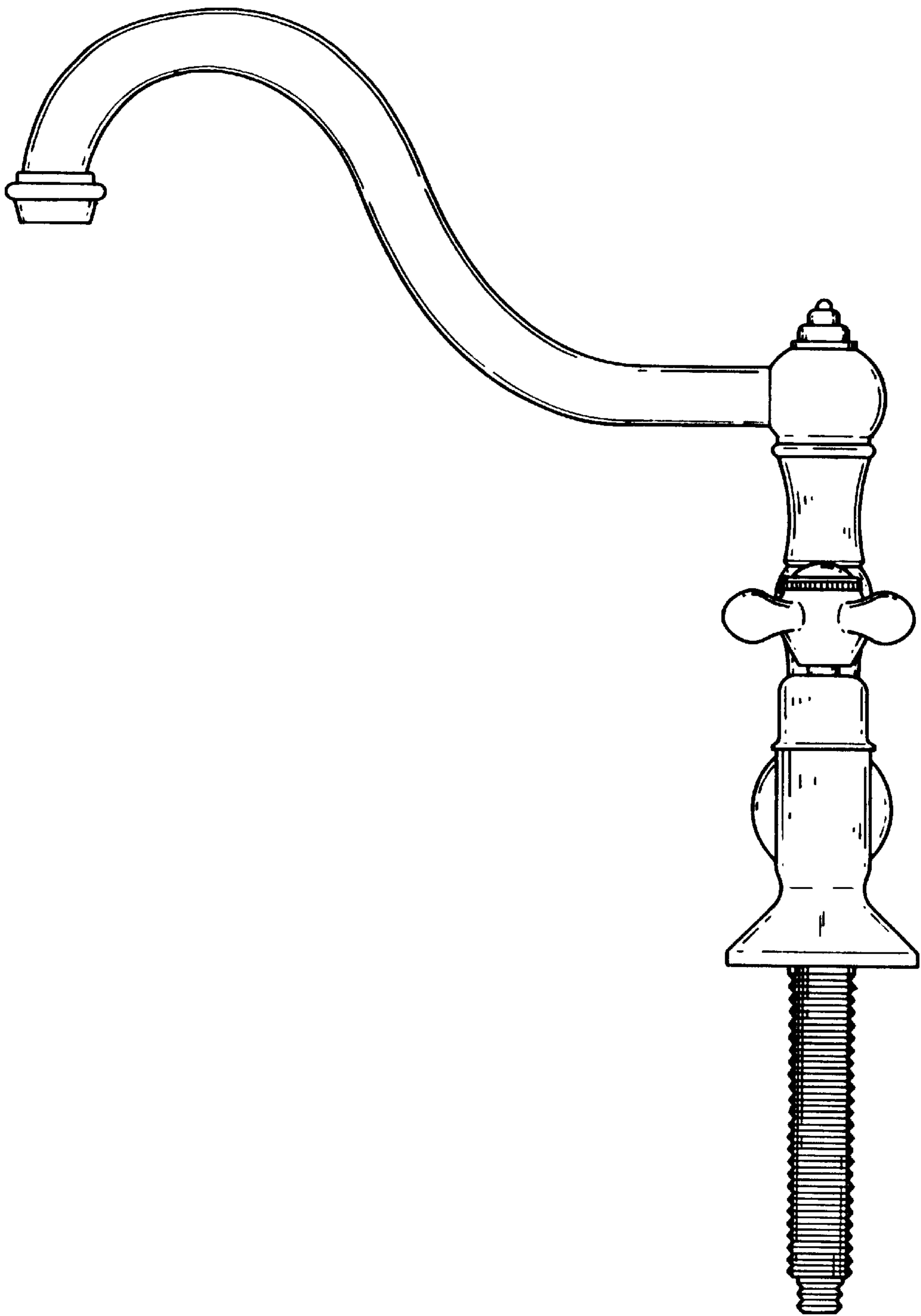


FIG. 5

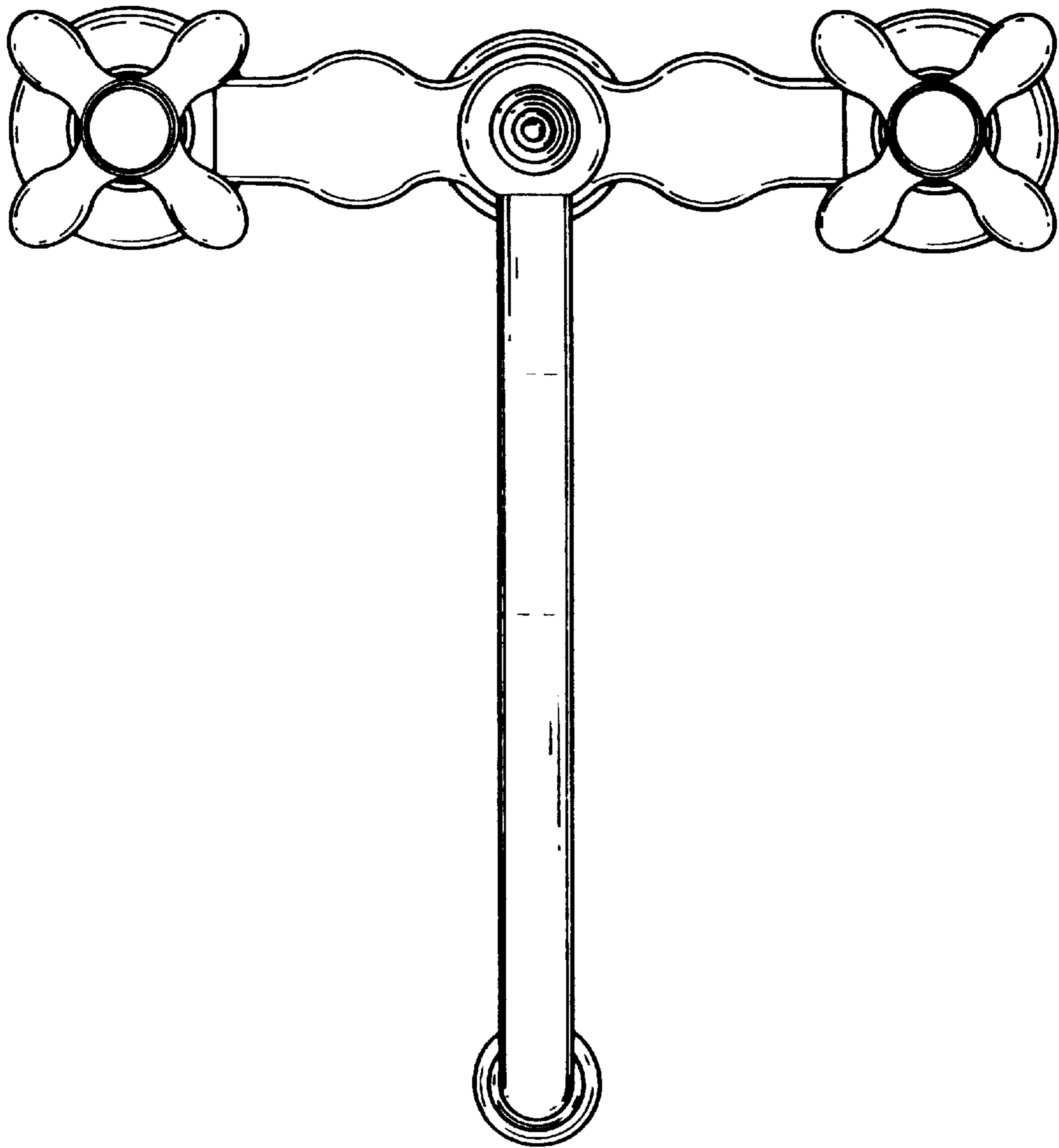


FIG. 6

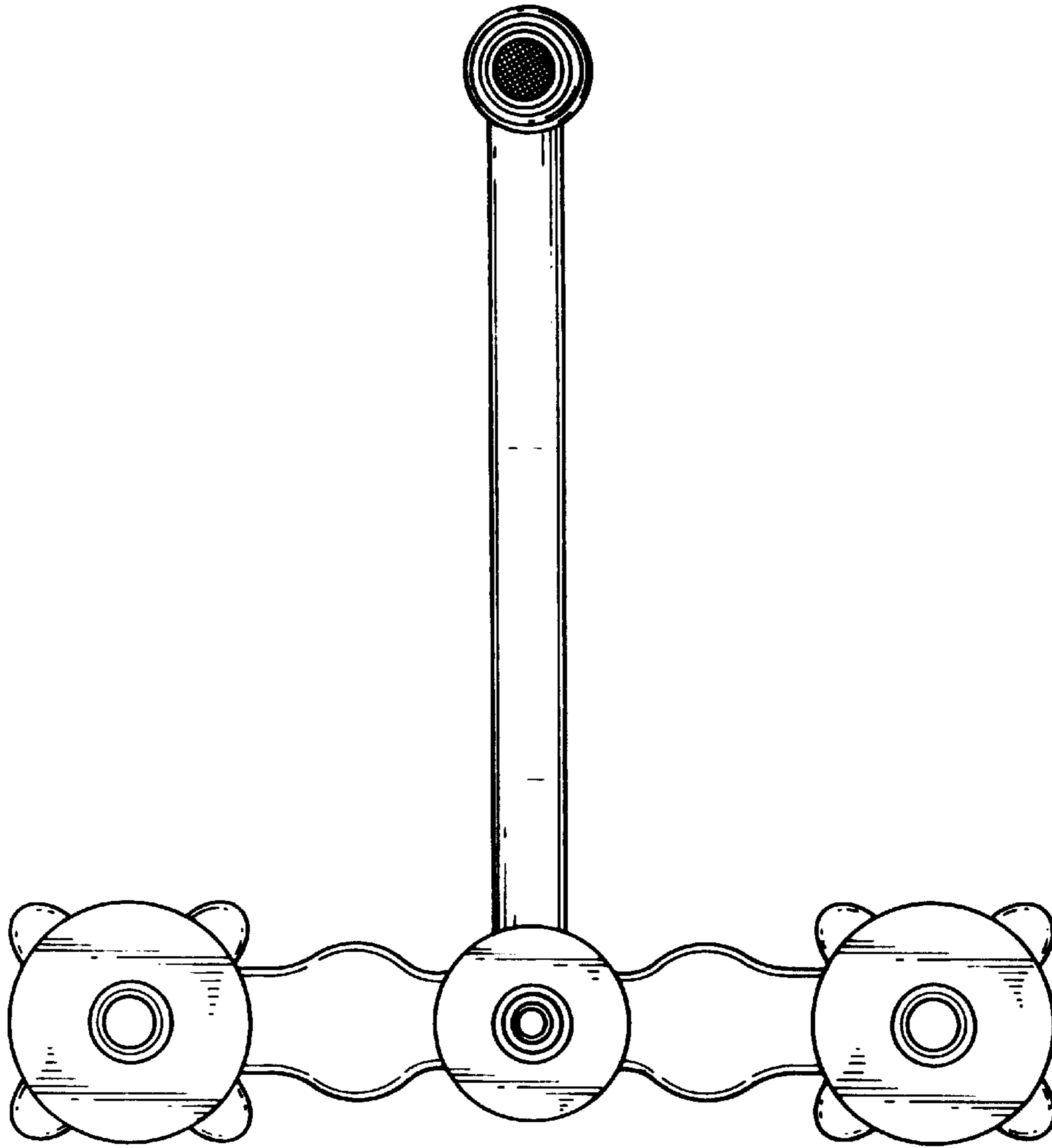


FIG. 7