



US00D472605S

(12) **United States Design Patent**  
**Nien**

(10) **Patent No.:** **US D472,605 S**

(45) **Date of Patent:** **\*\* Apr. 1, 2003**

(54) **WATER PISTOL**

(76) Inventor: **Mei-Yu Nien**, No. 2, Yung Feng Lane,  
Hsin Pao Village, Fang Yuan Hsiang,  
Chang Hua Hsien (TW)

(\*\*) Term: **14 Years**

(21) Appl. No.: **29/161,779**

(22) Filed: **Jun. 5, 2002**

(51) **LOC (7) Cl.** ..... **23-01**

(52) **U.S. Cl.** ..... **D23/223; D23/226**

(58) **Field of Search** ..... **D23/213, 223,  
D23/226; 239/532, 280, 280.5**

(56) **References Cited**

**U.S. PATENT DOCUMENTS**

D353,874 S	*	12/1994	Clivio	.....	D23/213
D359,547 S	*	6/1995	Wang	.....	D23/223
D425,603 S	*	5/2000	Guo	.....	D23/226
6,216,965 B1	*	4/2001	Chao	.....	239/280.5

\* cited by examiner

*Primary Examiner*—Robin V. Taylor  
(74) *Attorney, Agent, or Firm*—Harrison & Egbert

(57) **CLAIM**

I claim the ornamental design for a water pistol, as shown and described.

**DESCRIPTION**

FIG. 1 is an upper perspective view of the water pistol, showing my design.

FIG. 2 is a front view thereof;

FIG. 3 is a back view thereof;

FIG. 4 is a side view thereof;

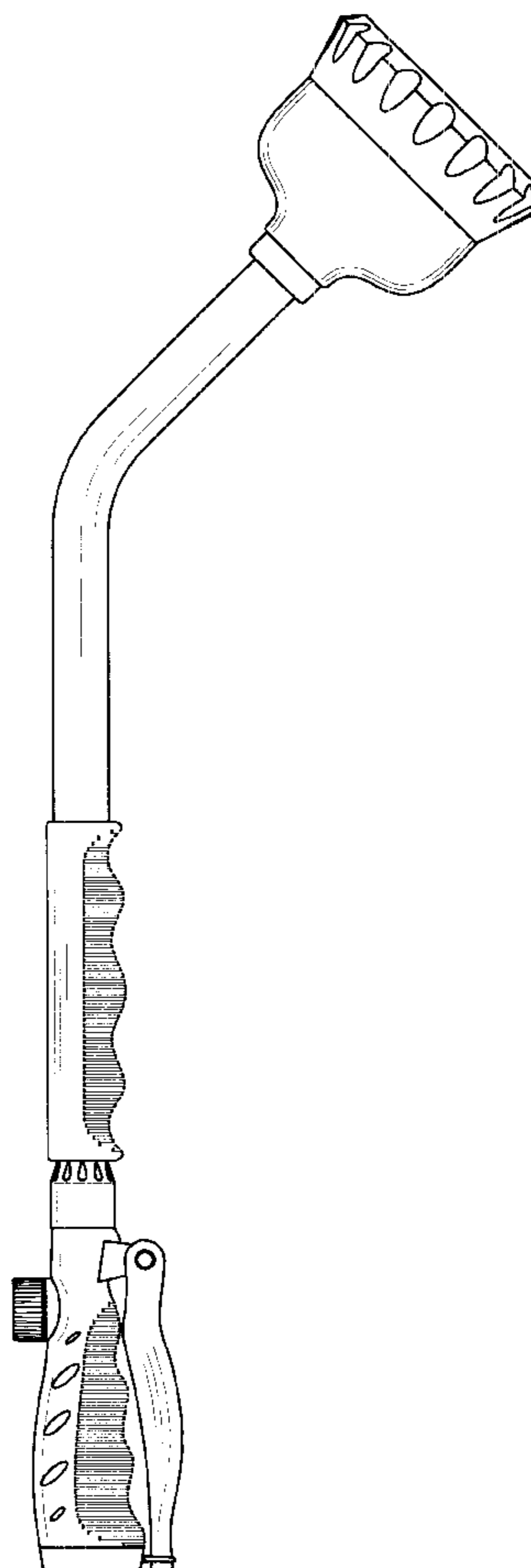
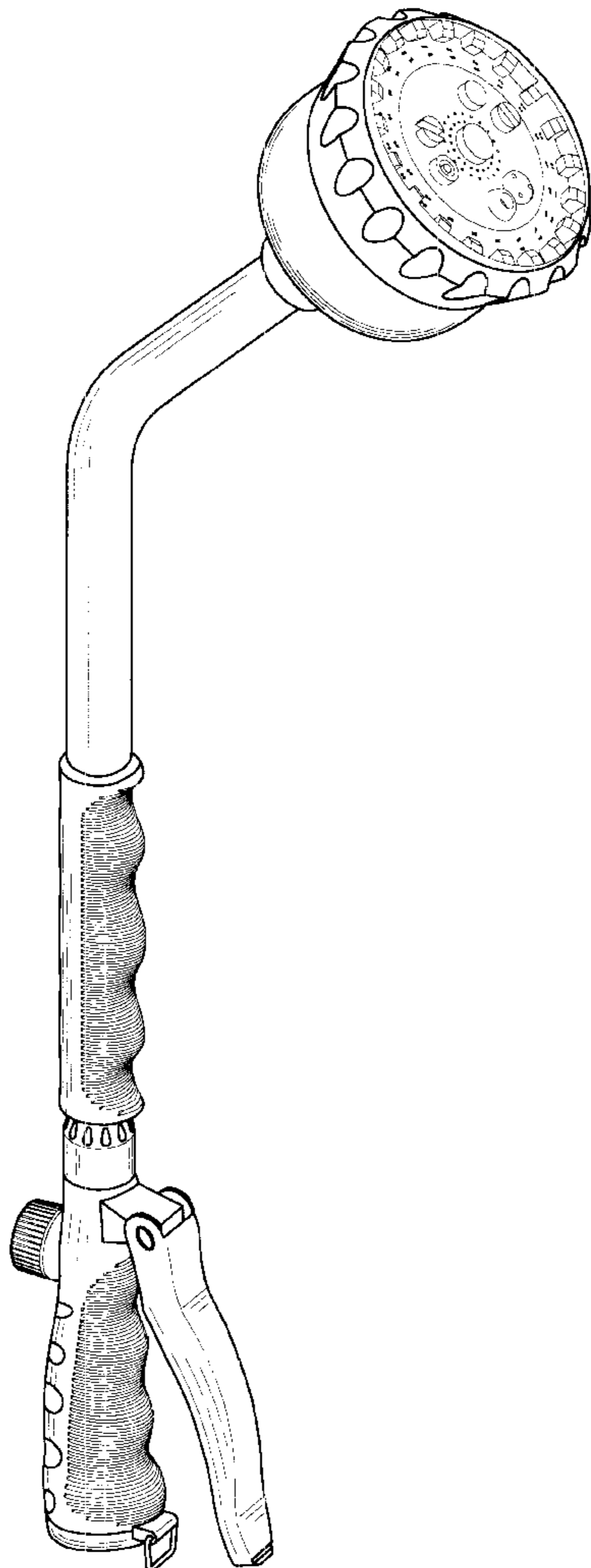
FIG. 5 is an opposite side view thereof;

FIG. 6 is a top view thereof;

FIG. 7 is a bottom view thereof; and,

FIG. 8 is an upper perspective view thereof showing the handle in the closed position.

**1 Claim, 5 Drawing Sheets**



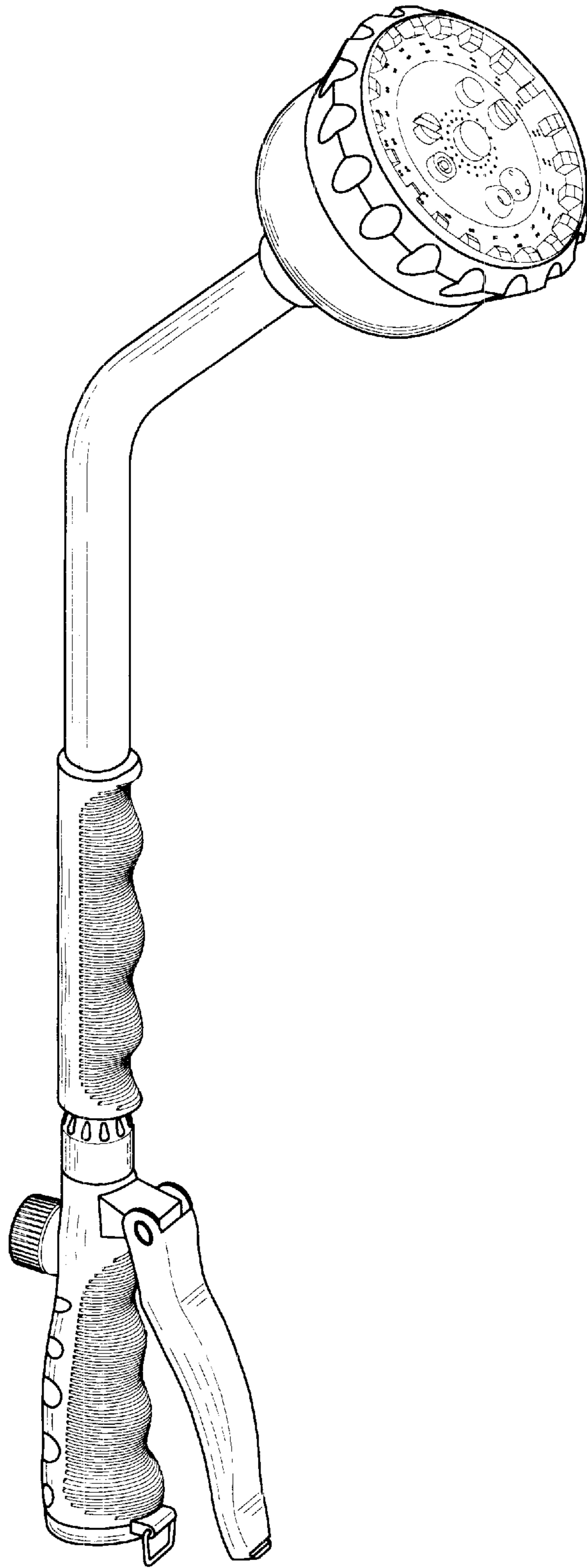


FIG.1

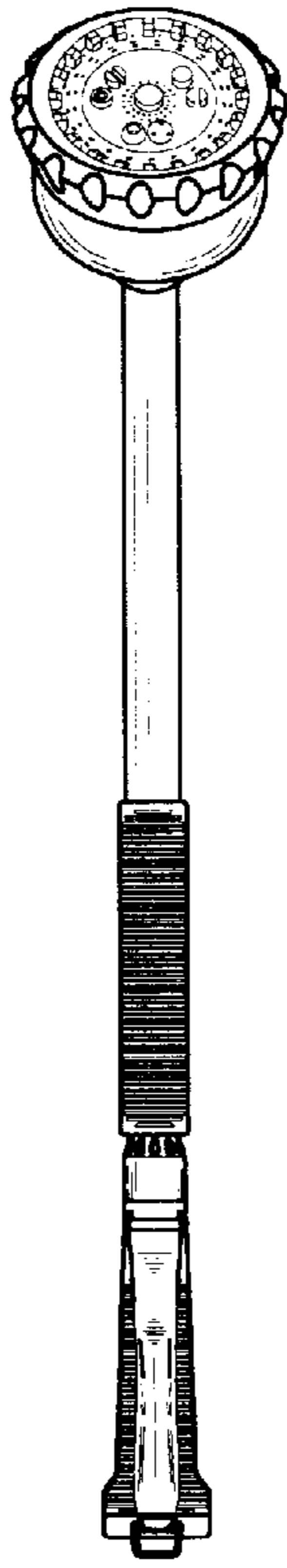


FIG.2

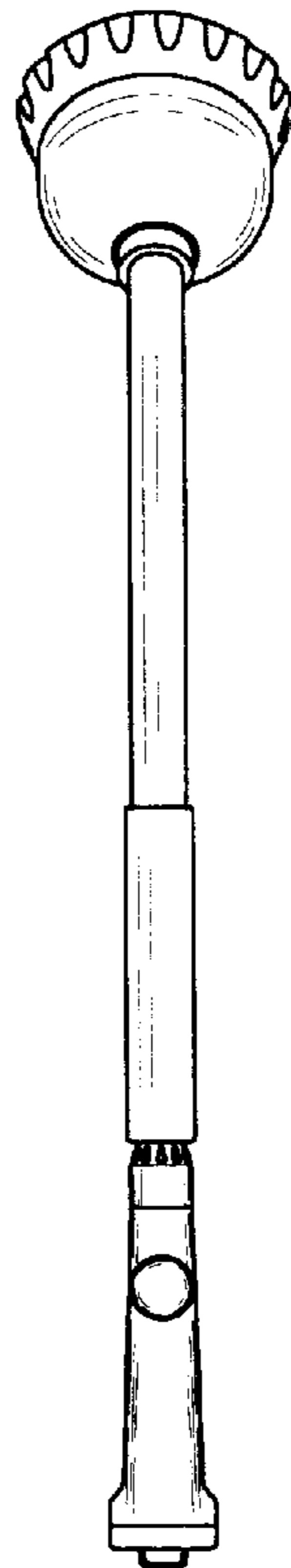


FIG.3

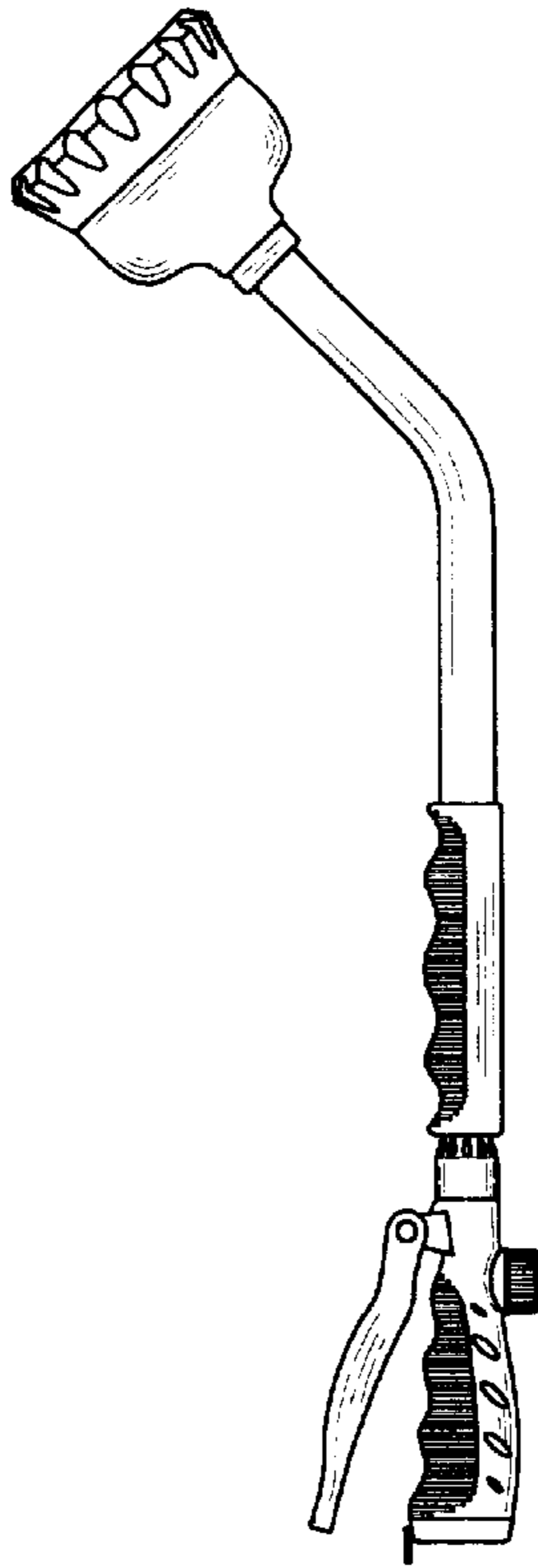


FIG. 4

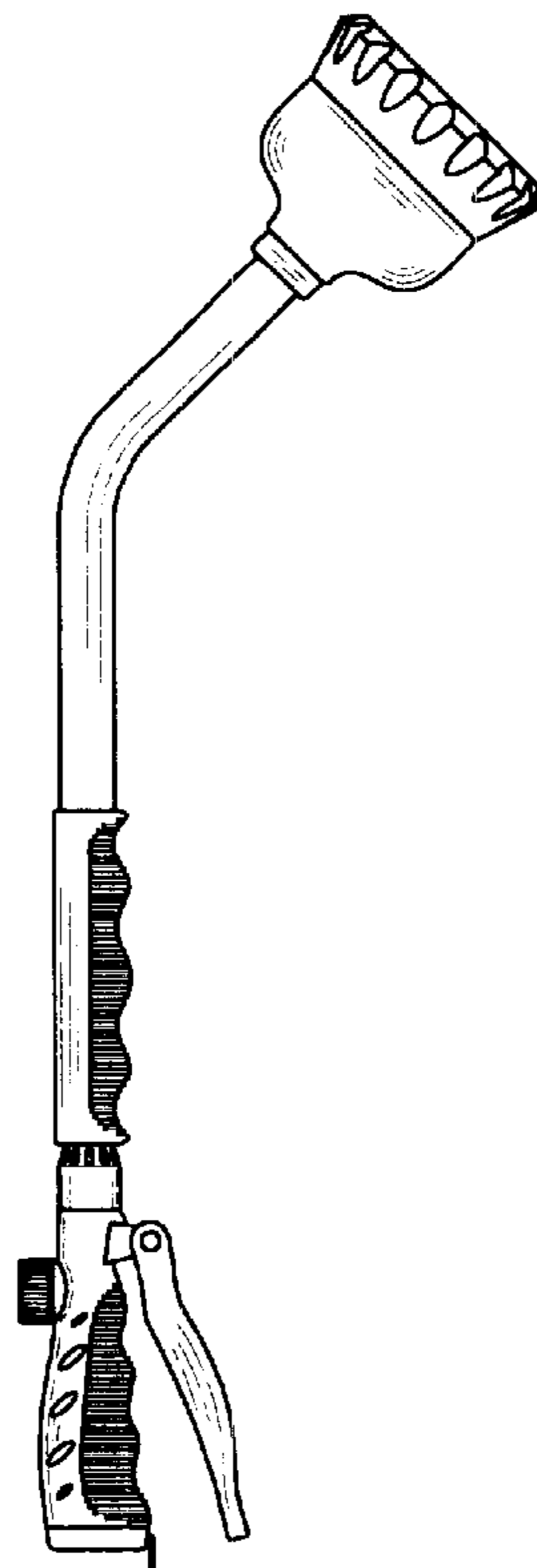


FIG. 5

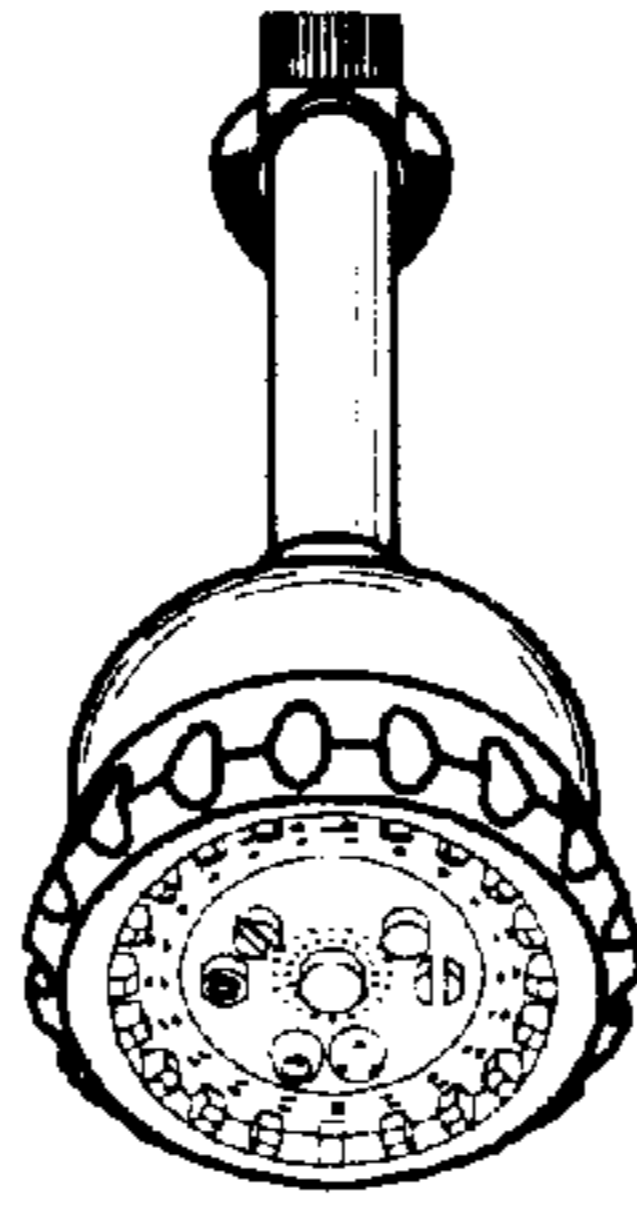


FIG. 6

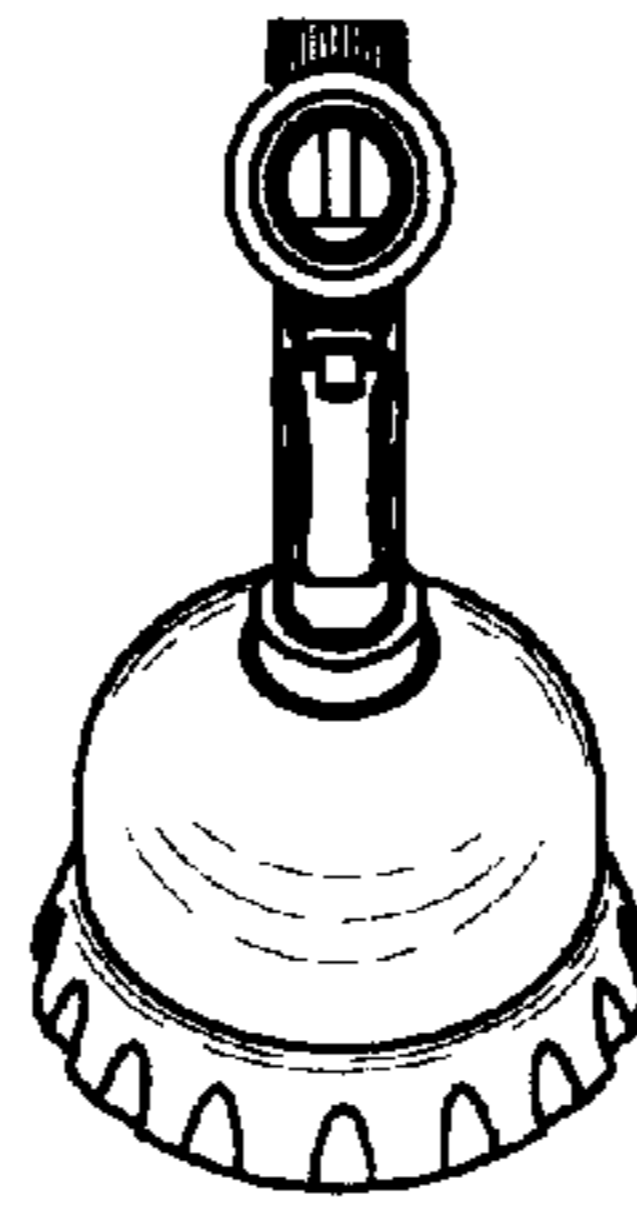


FIG. 7

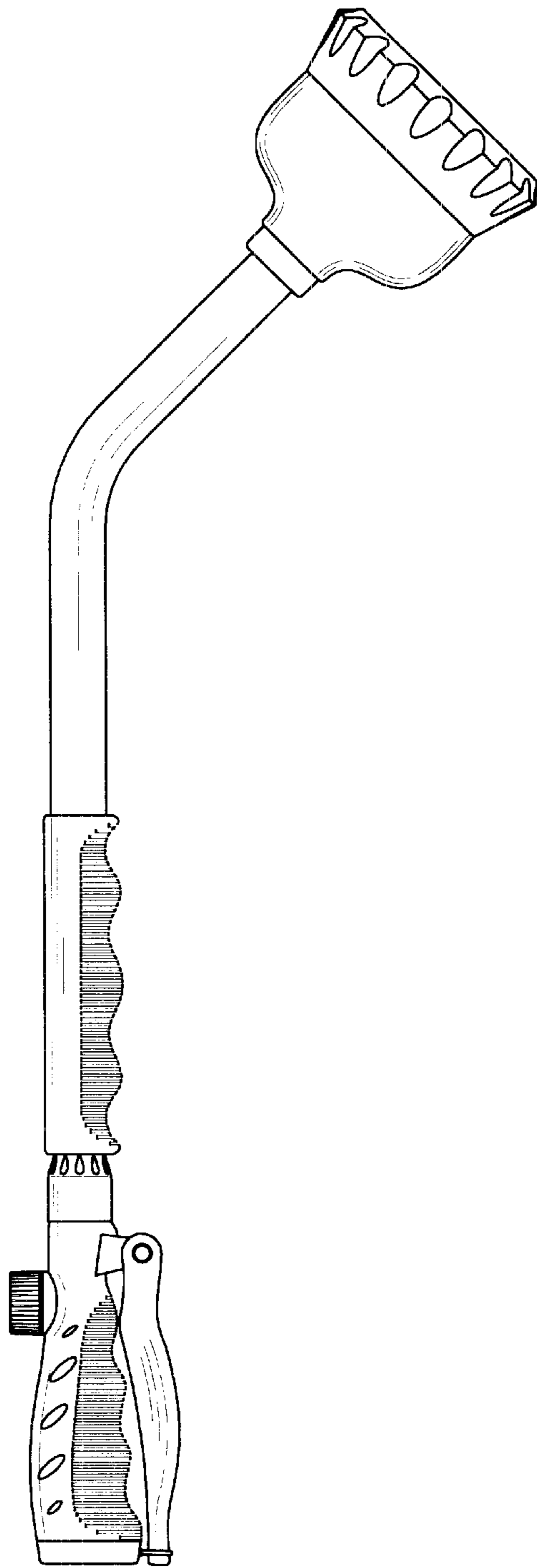


FIG.8