



US00D472602S

(12) **United States Design Patent**
Barere

(10) **Patent No.:** **US D472,602 S**

(45) **Date of Patent:** **** Apr. 1, 2003**

(54) **ENCLOSED PEST CONTROL DEVICE**

(76) Inventor: **George N. Barere**, c/o Sono Manufacturing Company, Inc., 2 Merritt Pl., Norwalk, CT (US) 06854

(**) Term: **14 Years**

(21) Appl. No.: **29/153,972**

(22) Filed: **Jan. 14, 2002**

(51) **LOC (7) Cl.** **22-05**

(52) **U.S. Cl.** **D22/125**

(58) **Field of Search** D22/122, 119, D22/123; 43/121, 131, 132.1, 124, 107

(56) **References Cited**

U.S. PATENT DOCUMENTS

1,669,974 A	5/1928	Cummins	43/58
4,161,079 A	7/1979	Hill	43/58
4,385,465 A	5/1983	Palmeri	43/58
4,823,506 A *	4/1989	Demarest	43/131
D326,890 S *	6/1992	Mares	D22/119
D346,199 S	4/1994	Spragins	D22/119
D362,045 S *	9/1995	Demarest	D22/119
D390,305 S *	2/1998	Dickson et al.	D22/122

* cited by examiner

Primary Examiner—Catherine R. Oliver

(74) *Attorney, Agent, or Firm*—Seth Natter Natter & Natter

(57) **CLAIM**

The ornamental design for an enclosed pest control device, as shown and described.

DESCRIPTION

FIG. 1 is a top plan view of an enclosed pest control device showing my new design;
FIG. 2 is a side elevational view thereof;
FIG. 3 is a front elevational view thereof;
FIG. 4 is a perspective view thereof;
FIG. 5 is a top plan view of a second embodiment of the enclosed pest control device;
FIG. 6 is a side elevational view of the second embodiment;
FIG. 7 is a front elevational view thereof; and,
FIG. 8 is a perspective view thereof.

The rear elevational views are mirror images of the front elevational views shown in FIGS. 3, 7 the side elevational views are not shown are mirror images of the side elevational views shown in FIGS. 2, 6 and the bottom of each embodiment is plain and unornamented.

1 Claim, 2 Drawing Sheets

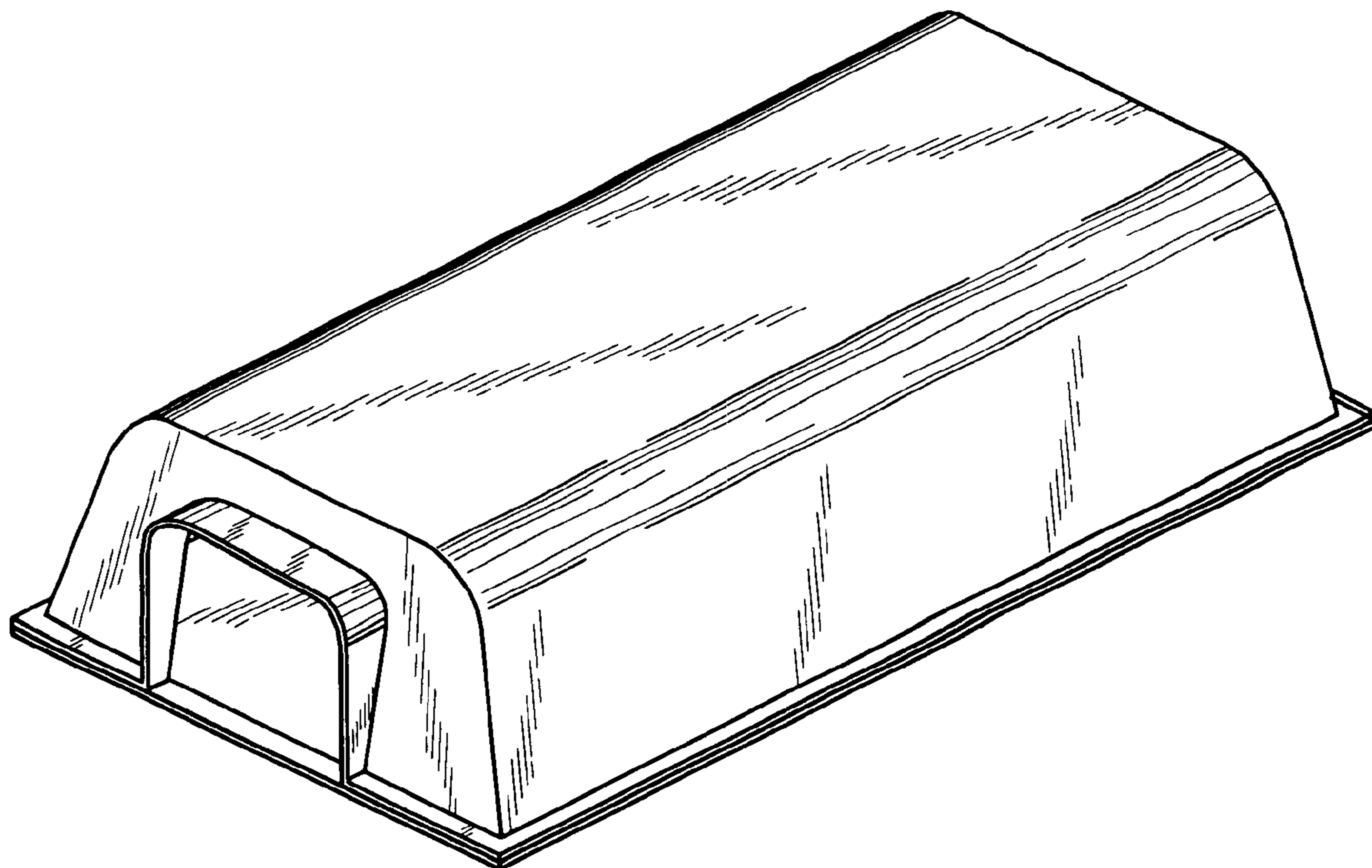


Fig. 1

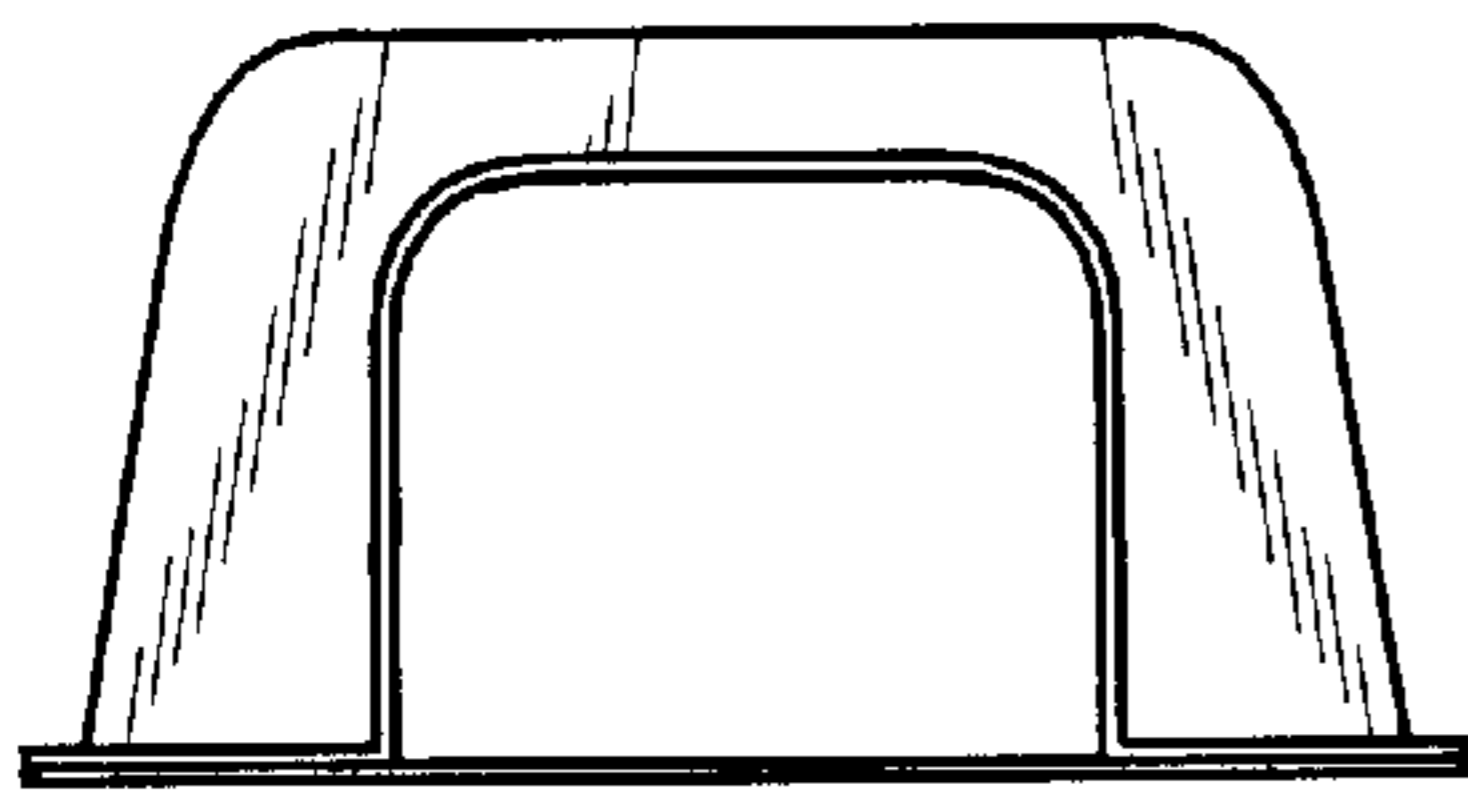
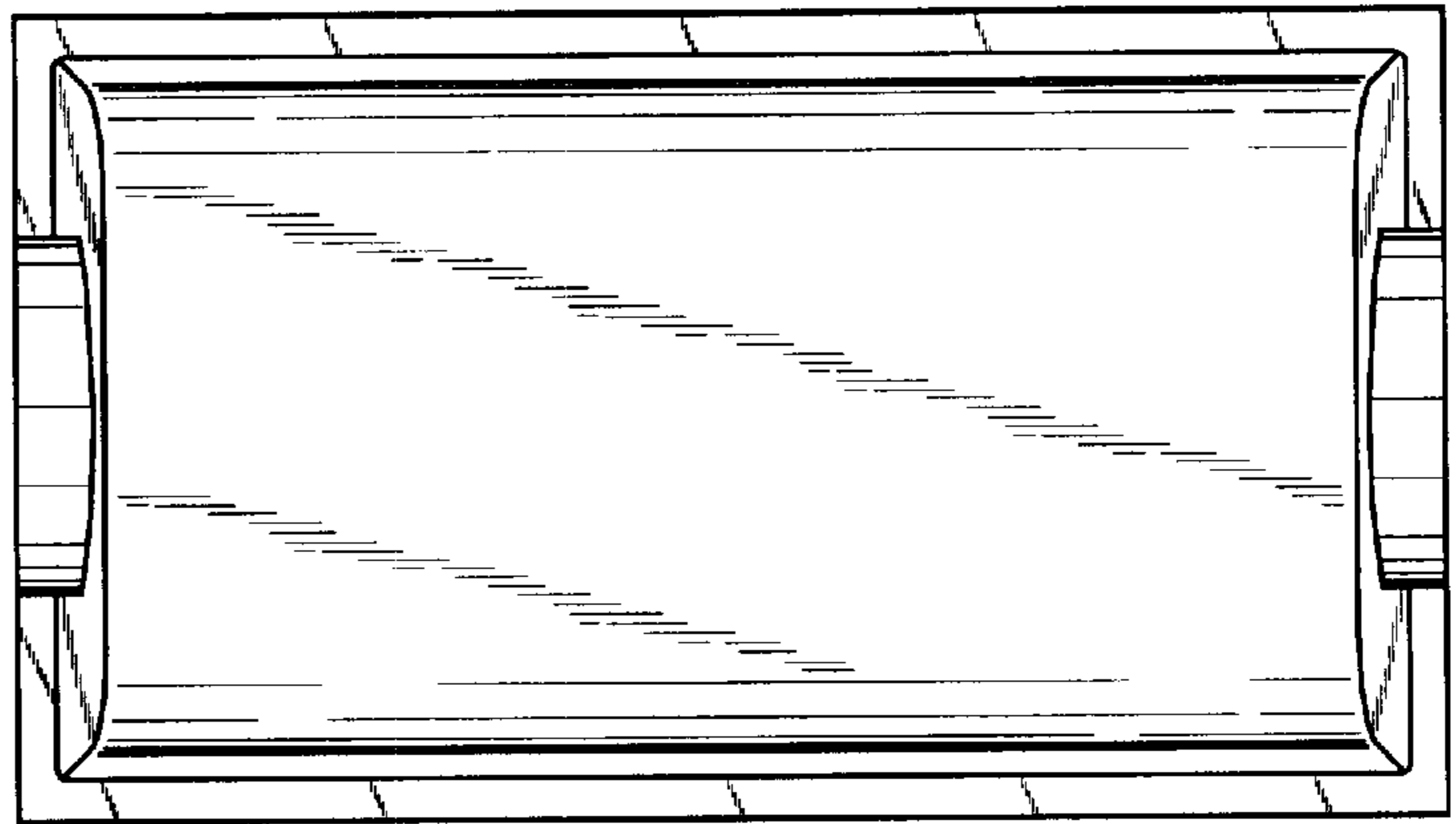


Fig. 2

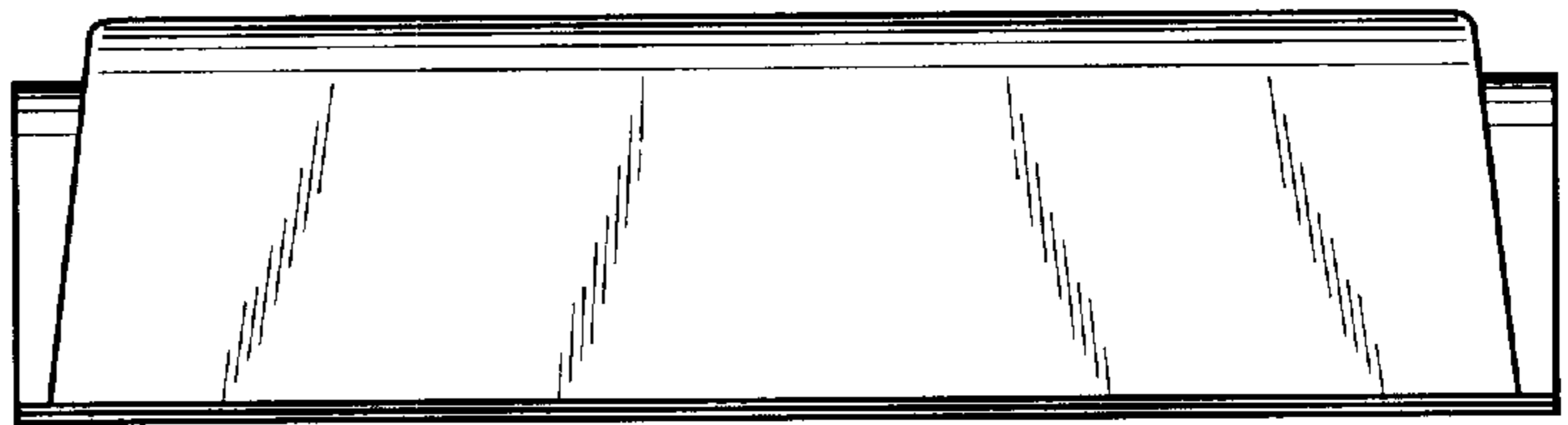


Fig. 3

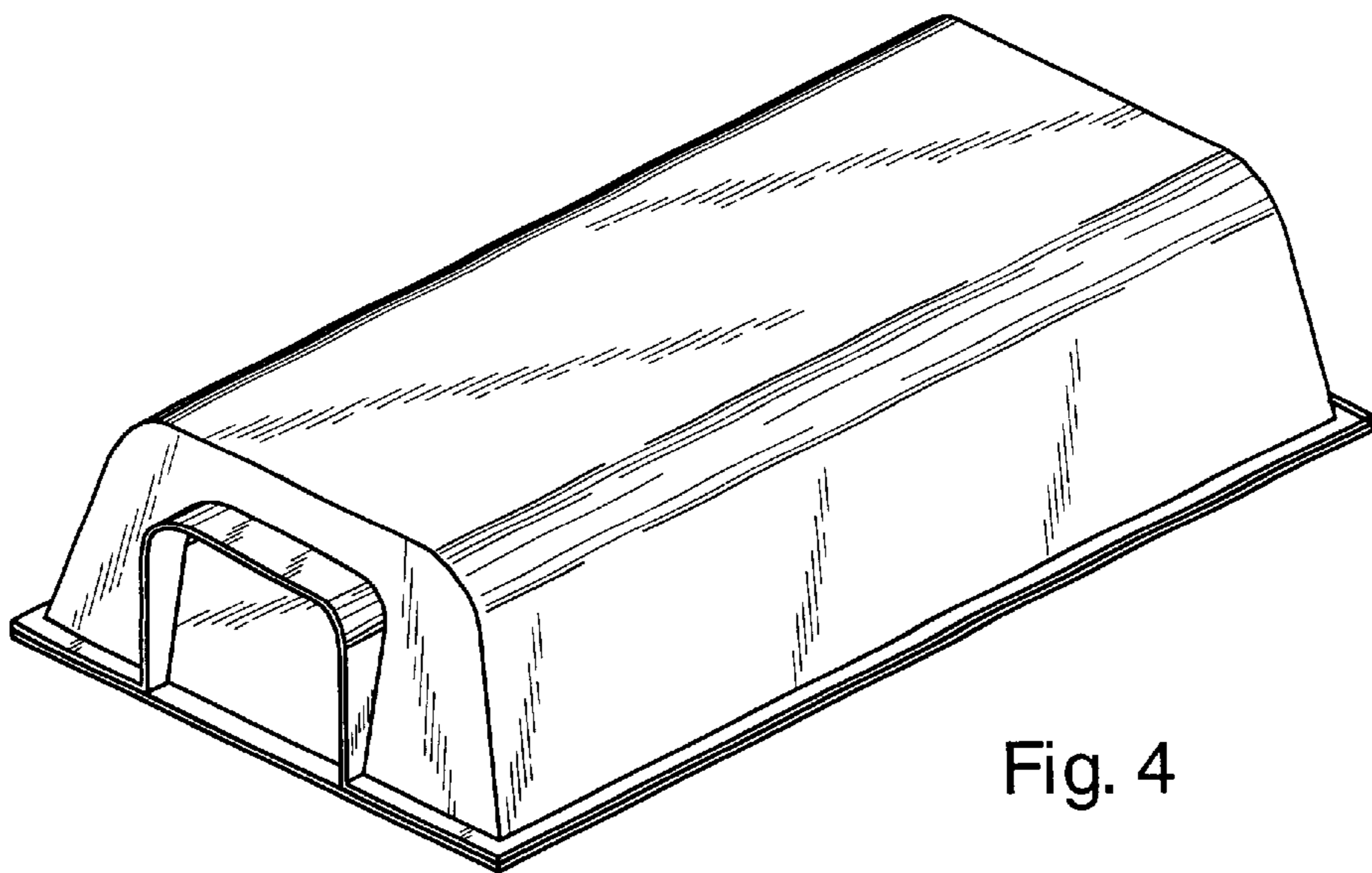


Fig. 4

Fig. 5

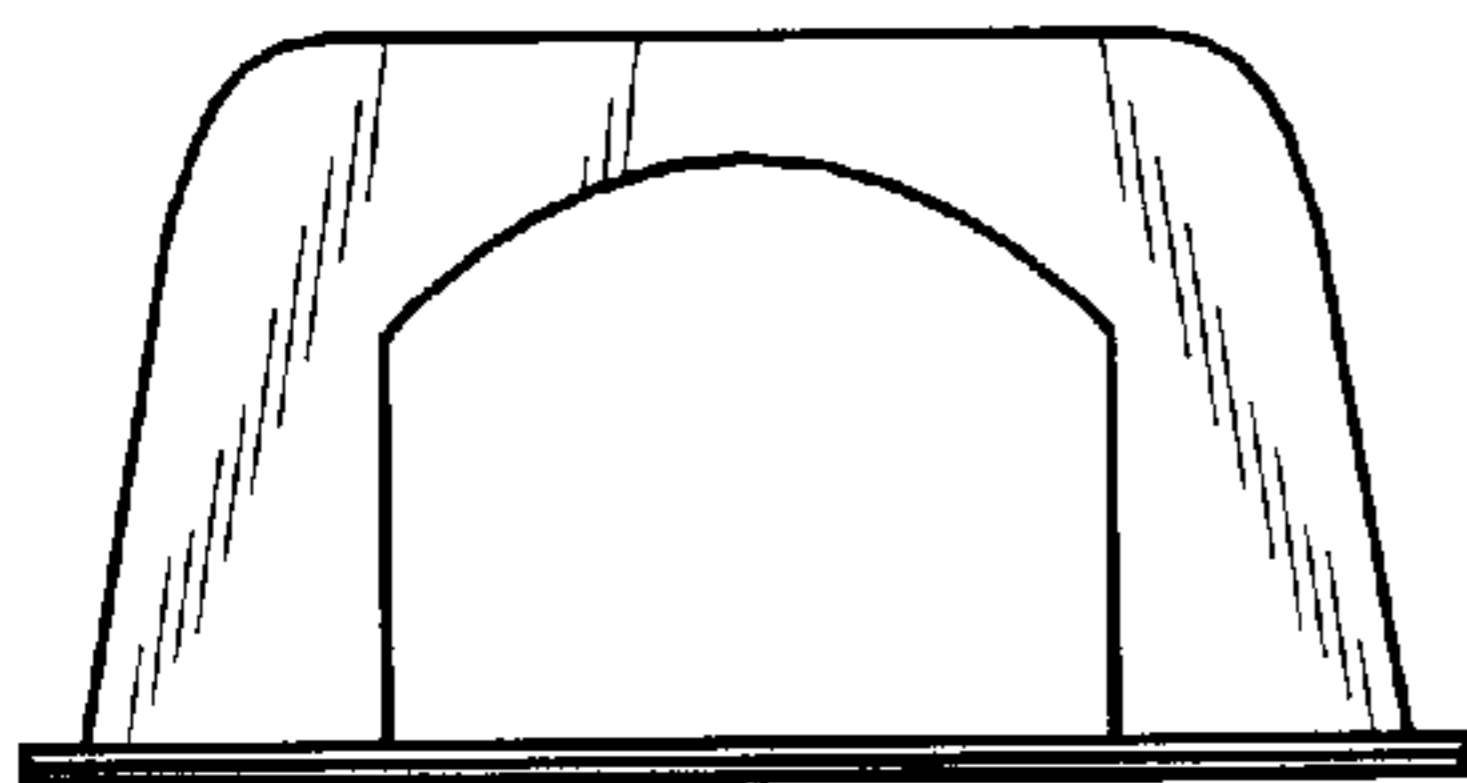
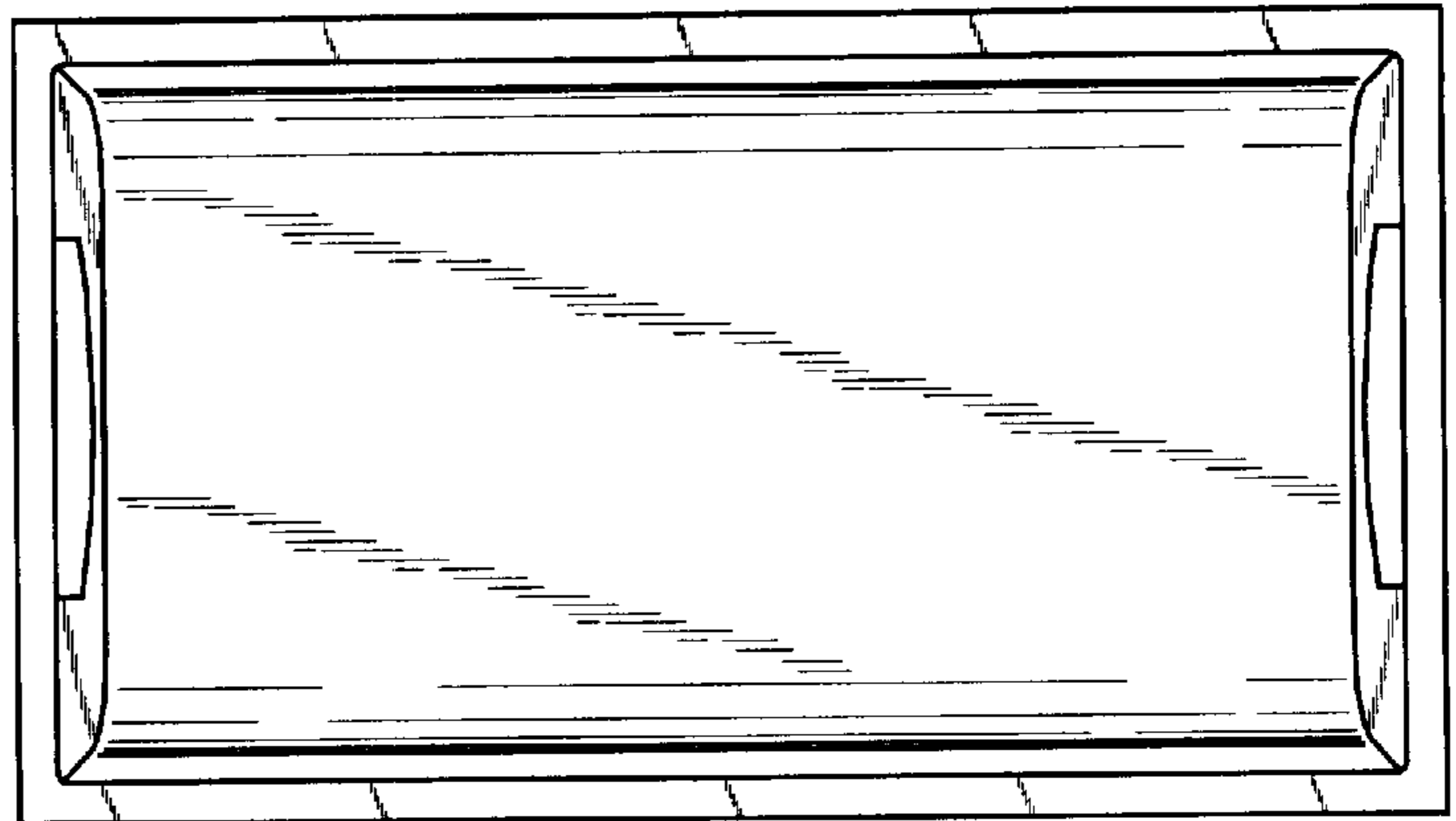


Fig. 6

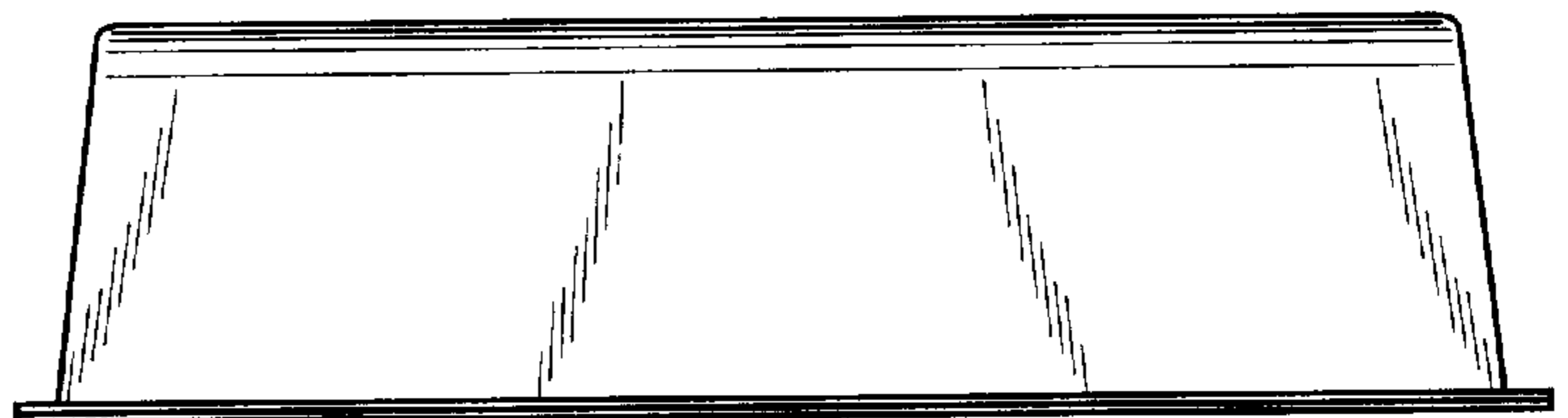


Fig. 7

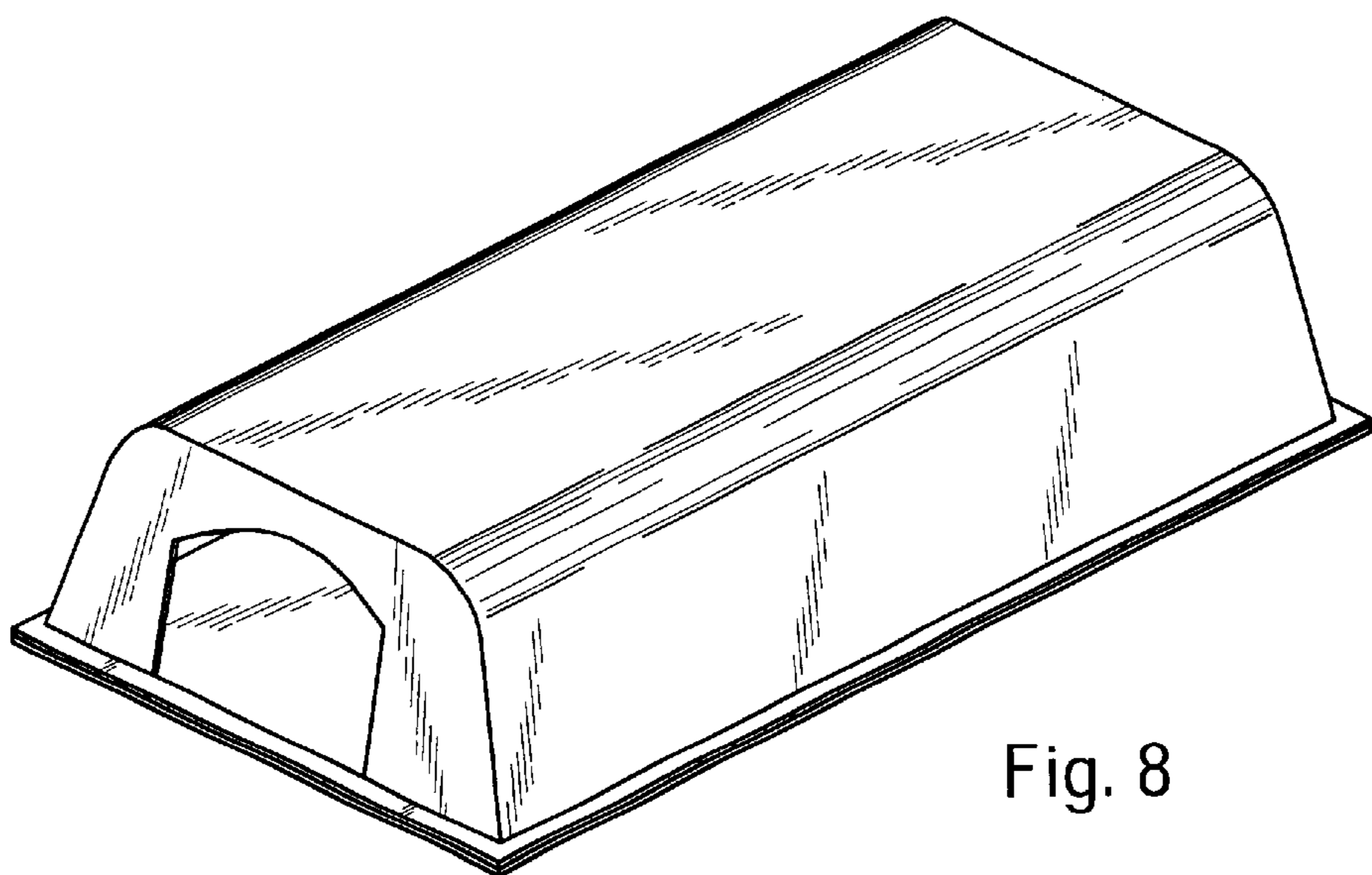


Fig. 8