



US00D472601S

(12) **United States Design Patent**  
**Israel et al.**

(10) **Patent No.: US D472,601 S**

(45) **Date of Patent: \*\* \*Apr. 1, 2003**

(54) **CAMPING MOSQUITO TRAP**

(75) Inventors: **Gary Israel**, Andover, KS (US); **Doug Winner**, Newtown, CT (US); **John R. Laverack**, Southbury, CT (US); **Greg G. Weaver**, Seymour, CT (US); **Robert H. Bruno**, Avon, CT (US)

(73) Assignee: **The Coleman Company, Inc.**, Wichita, KS (US)

(\* ) Notice: This patent is subject to a terminal disclaimer.

(\*\* ) Term: **14 Years**

(21) Appl. No.: **29/161,694**

(22) Filed: **Jun. 3, 2002**

(51) **LOC (7) Cl.** ..... **22-06**

(52) **U.S. Cl.** ..... **D22/122**

(58) **Field of Search** ..... D22/119-125;  
43/107, 112, 113, 122, 124, 132.1, 133,  
139; D26/37; D7/378

(56) **References Cited**

**U.S. PATENT DOCUMENTS**

D302,578 S \* 8/1989 Lee ..... D22/123

5,020,270 A \* 6/1991 Lo ..... 43/112  
5,515,643 A \* 5/1996 Lin ..... 43/112  
5,595,018 A \* 1/1997 Wilbanks ..... 43/112  
D450,529 S \* 11/2001 Smith ..... D7/378

\* cited by examiner

*Primary Examiner*—Catherine R. Oliver

(74) *Attorney, Agent, or Firm*—Leydig, Voit & Mayer, Ltd.

(57) **CLAIM**

The ornamental design for a camping mosquito trap, as shown and described.

**DESCRIPTION**

FIG. 1 is a top right front perspective view of the camping mosquito trap showing the new design;

FIG. 2 is a left side elevation view thereof;

FIG. 3 is a front elevation view thereof;

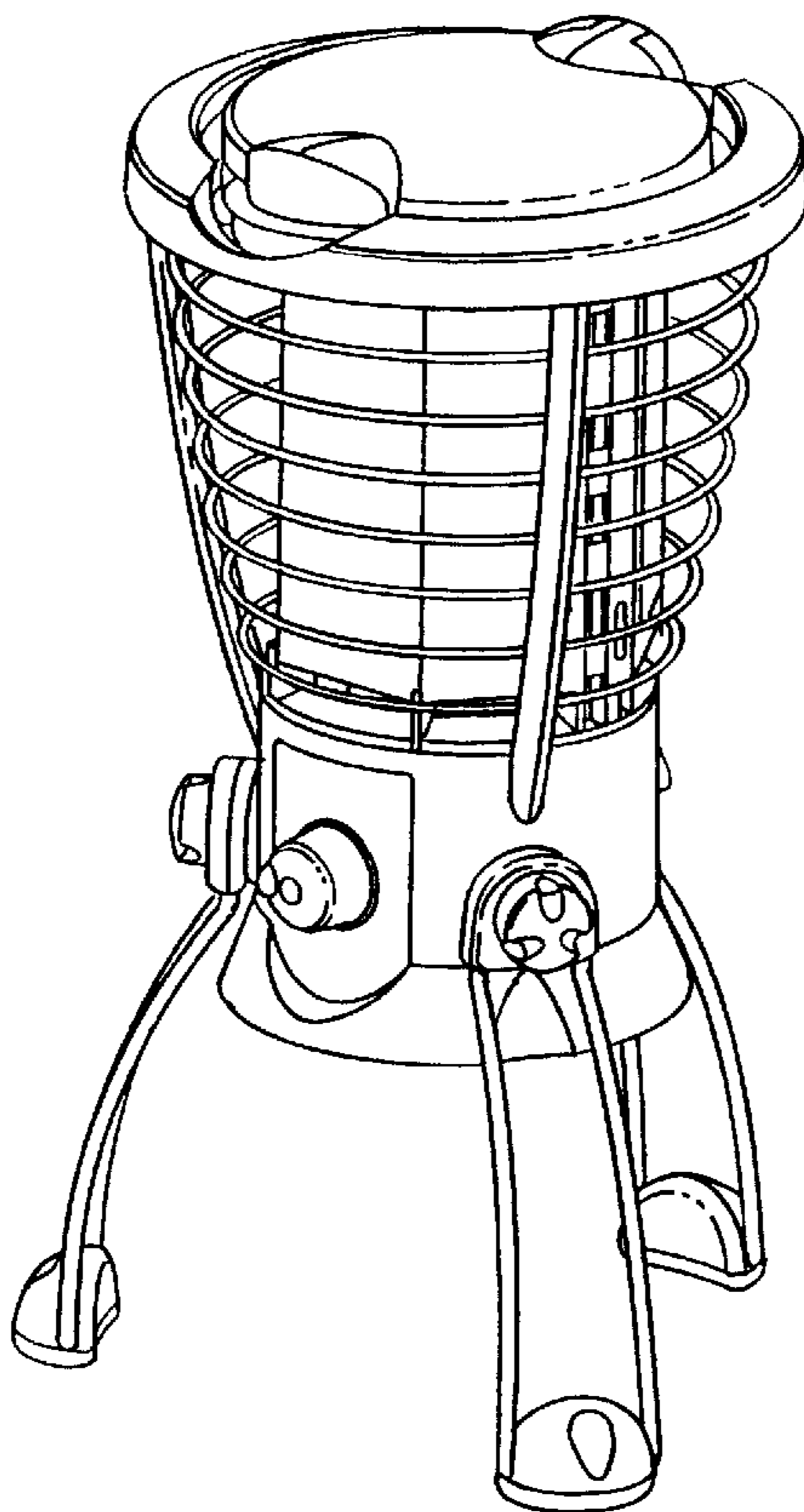
FIG. 4 is a right side elevation view thereof;

FIG. 5 is a rear elevation view thereof;

FIG. 6 is a top plan view thereof; and,

FIG. 7 is a bottom plan view thereof.

**1 Claim, 3 Drawing Sheets**



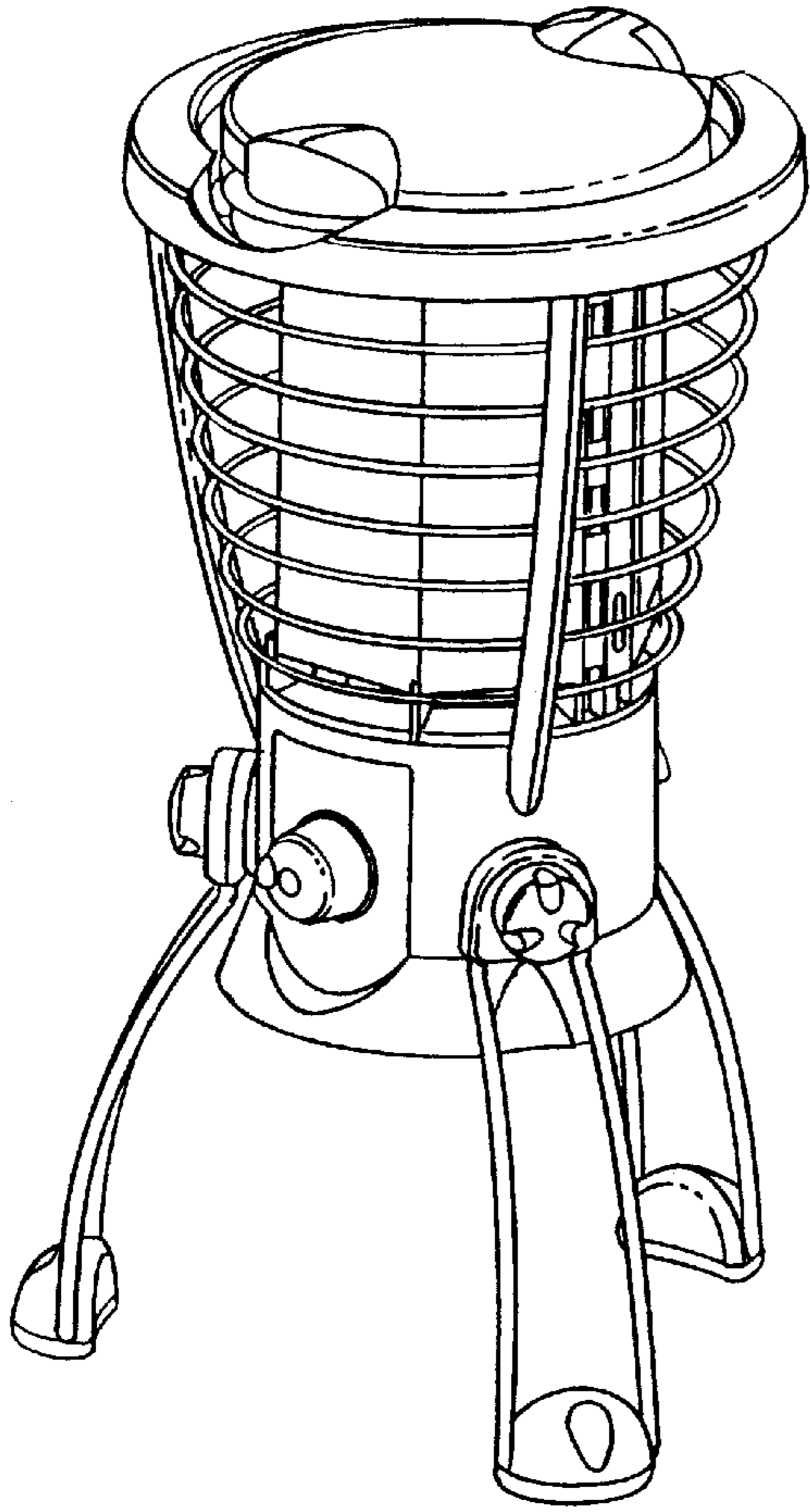


FIG 1

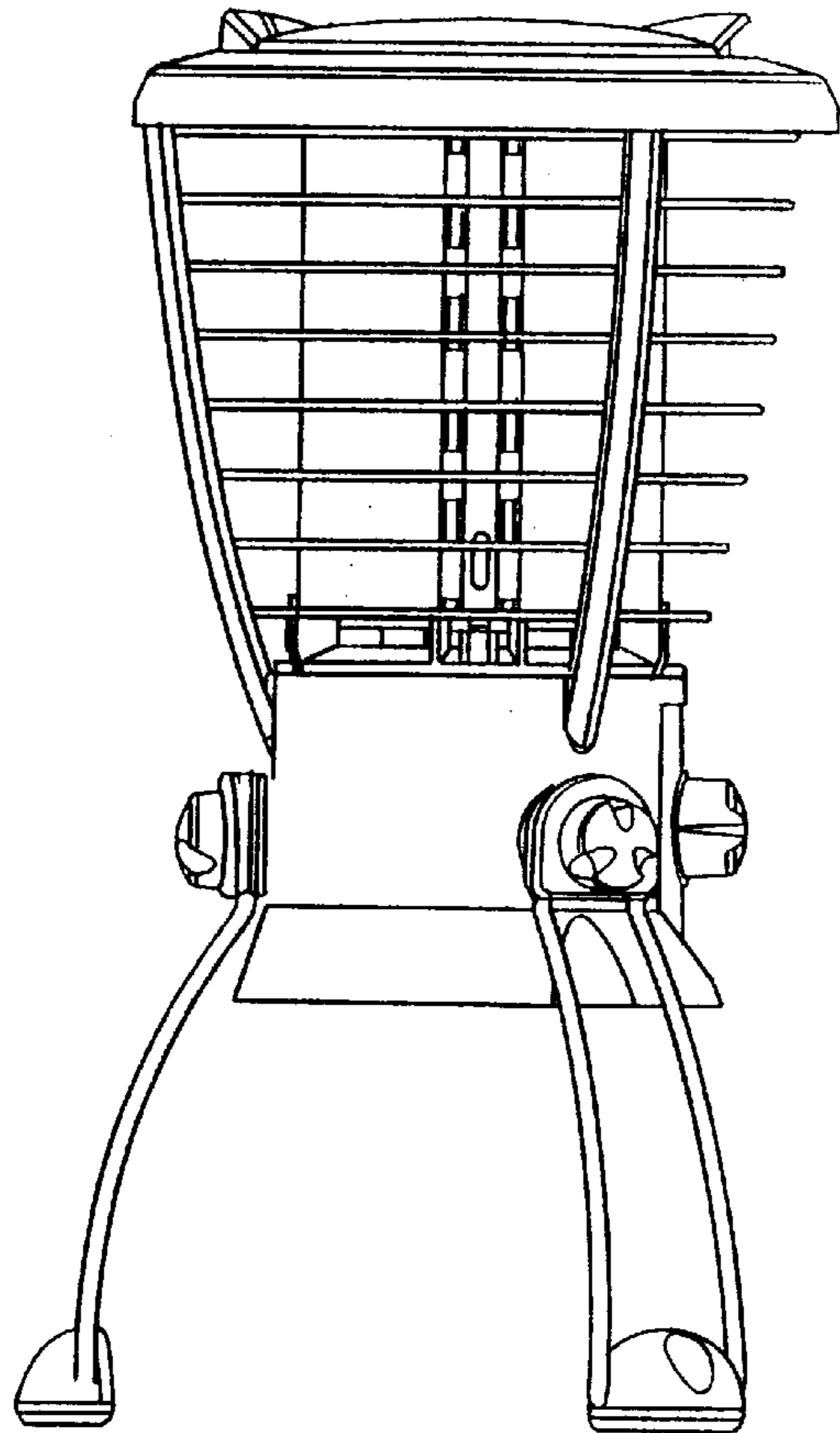


FIG 2

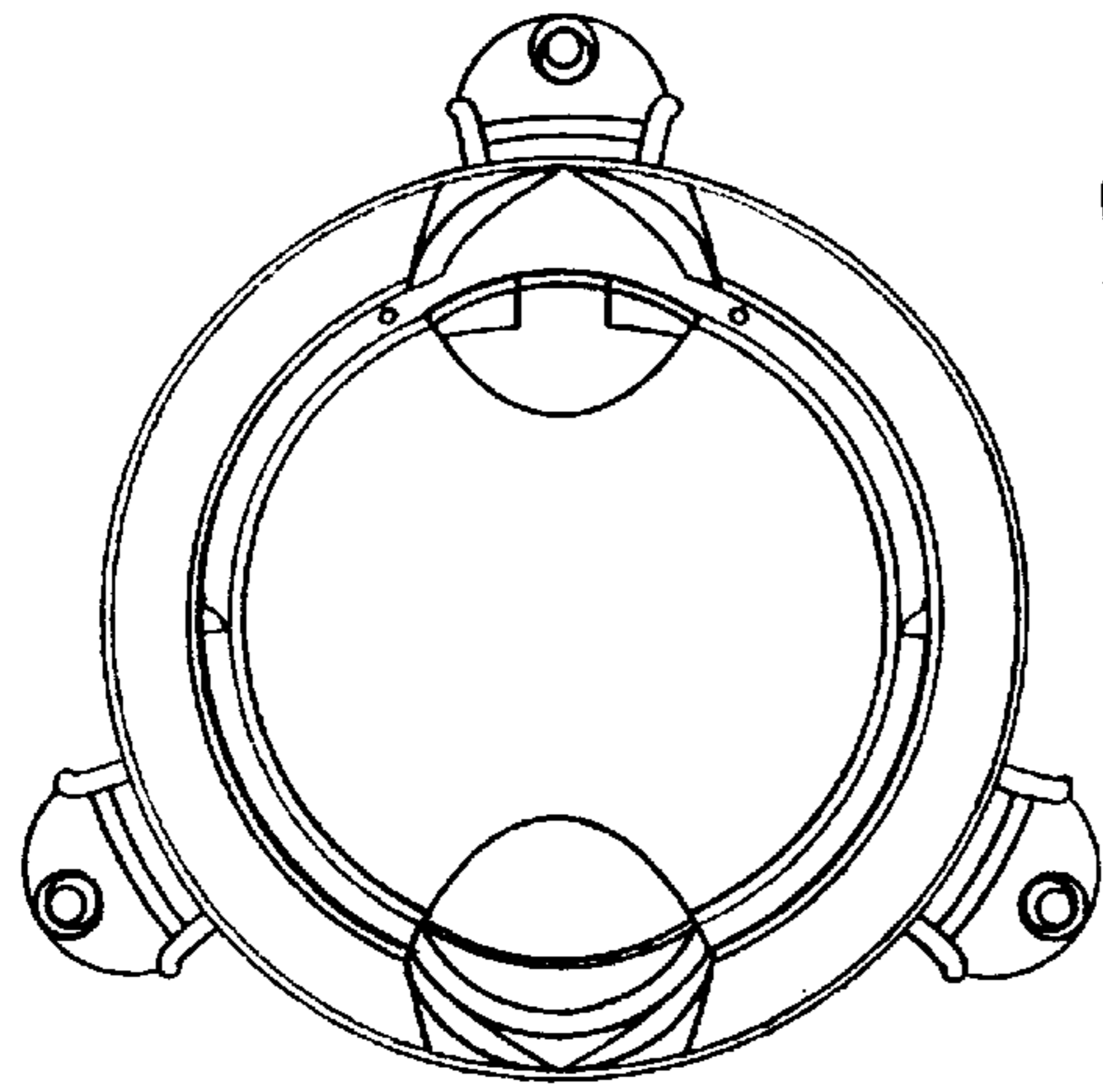


FIG 6

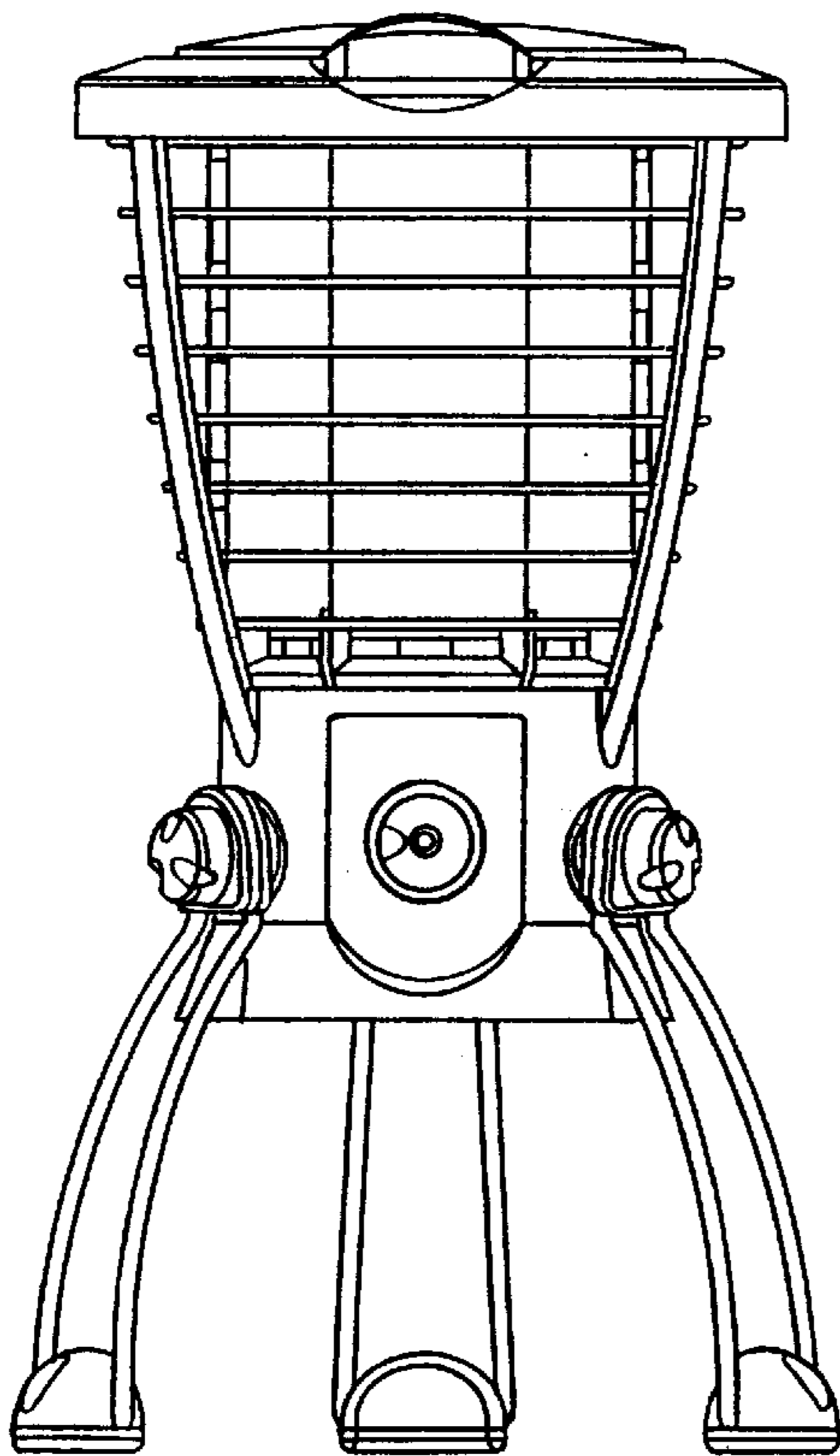


FIG 3

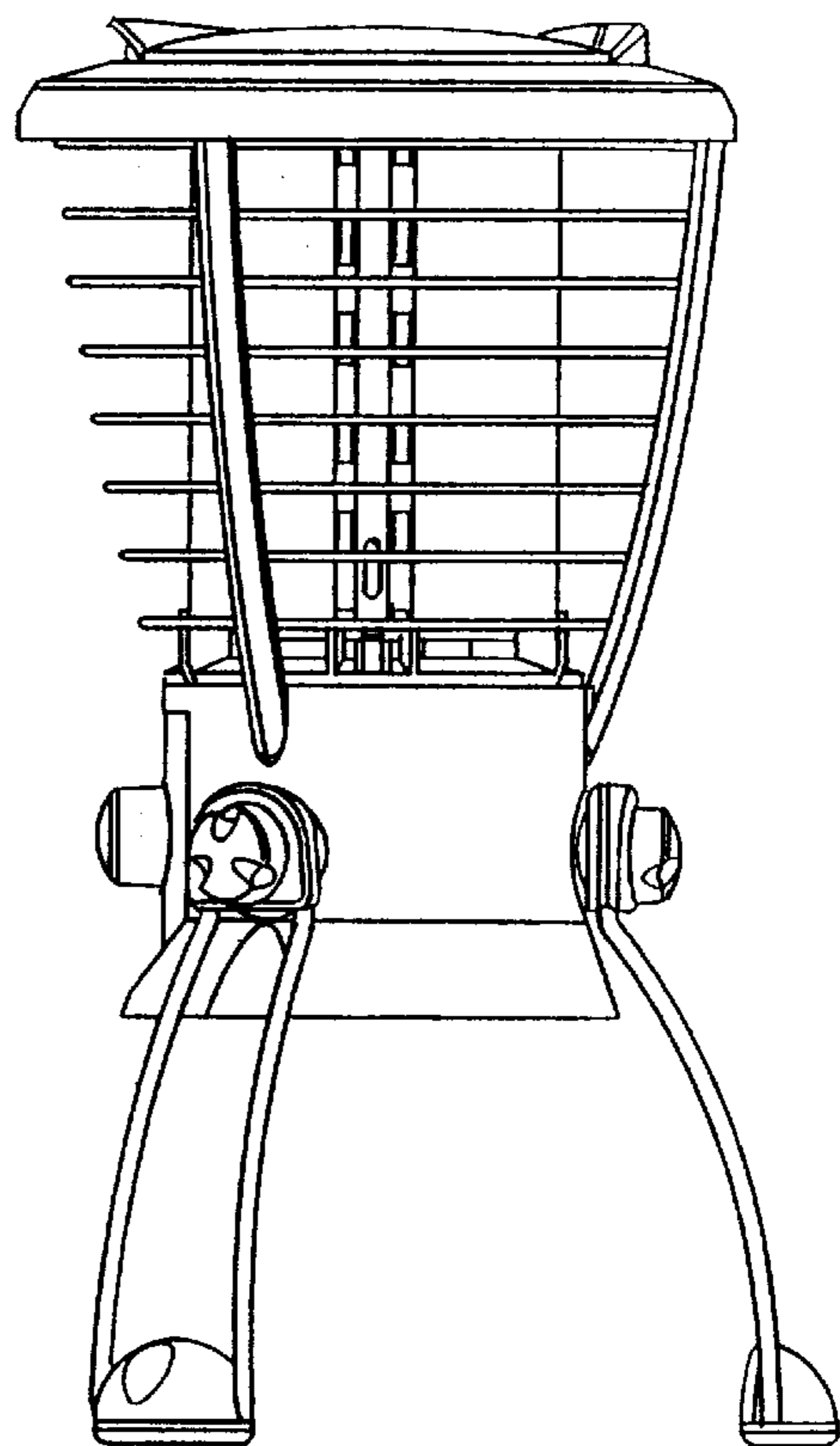


FIG 4

FIG 5

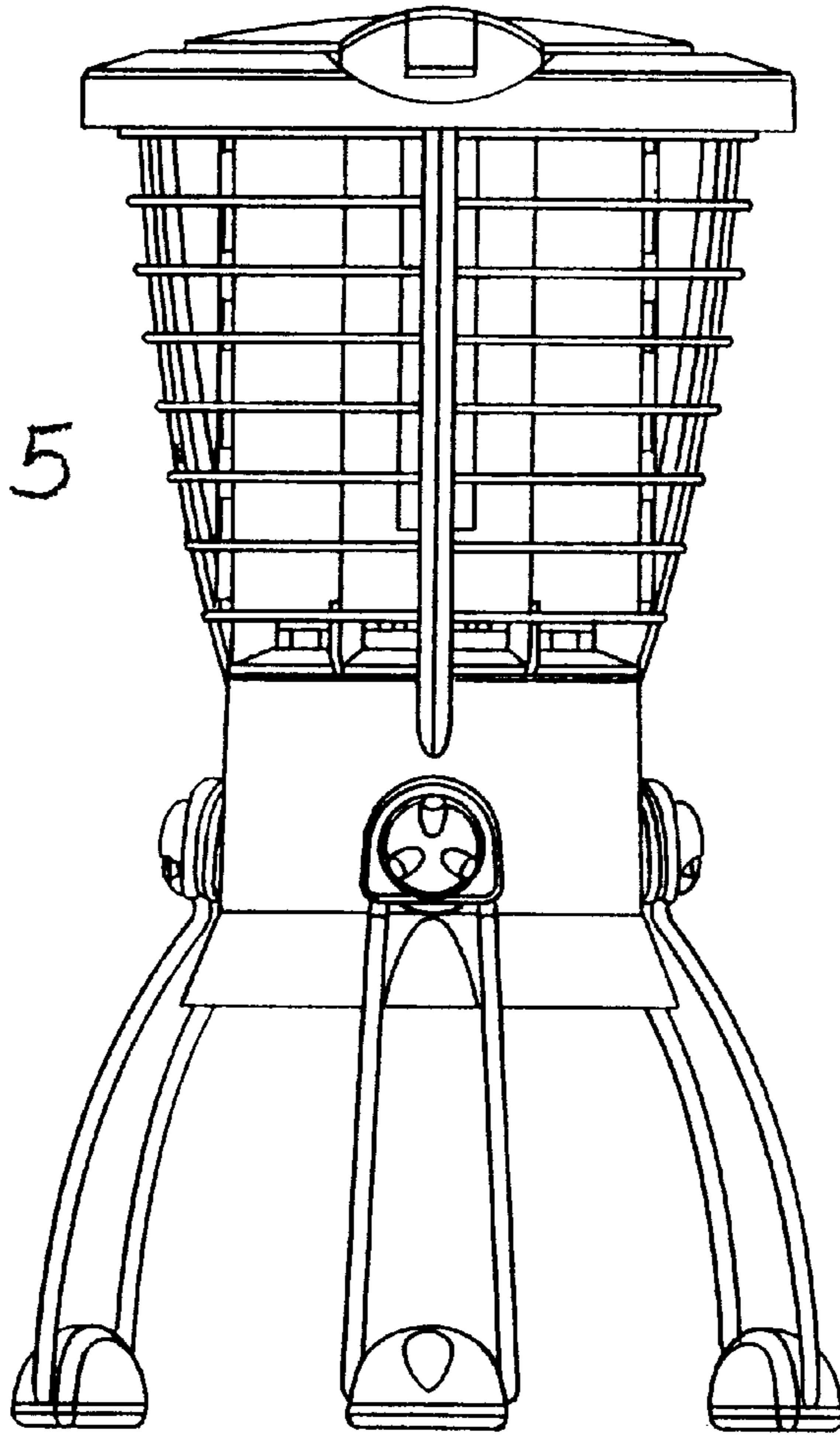


FIG 7

