



US00D472599S

(12) **United States Design Patent**  
**Yu**

(10) **Patent No.:** **US D472,599 S**

(45) **Date of Patent:** **\*\* Apr. 1, 2003**

(54) **RECOIL CONTROL THUMB REST**

(76) **Inventor:** **Sandy Tai Sheung Yu**, 9271 Kirkmond Crescent, Richmond, British Columbia (CA), V7E 1M7

(\*\*) **Term:** **14 Years**

(21) **Appl. No.:** **29/156,535**

(22) **Filed:** **Mar. 4, 2002**

(51) **LOC (7) Cl.** ..... **22-01**

(52) **U.S. Cl.** ..... **D22/108**

(58) **Field of Search** ..... D22/100, 108, D22/199; 42/69.03, 70.01, 70.02, 70.11, 72, 96; 89/128

D420,416 S 2/2000 Kay ..... D22/108  
D439,628 S 3/2001 Tugwell ..... D22/108  
6,283,006 B1 \* 9/2001 Szabo et al. .... 42/69.03 X  
D452,288 S \* 12/2001 Kay ..... D22/108

\* cited by examiner

*Primary Examiner*—Louis S. Zarfaz  
*Assistant Examiner*—Monica A. Weingart

(57) **CLAIM**

The ornamental design for recoil control thumb rest, as shown and described.

**DESCRIPTION**

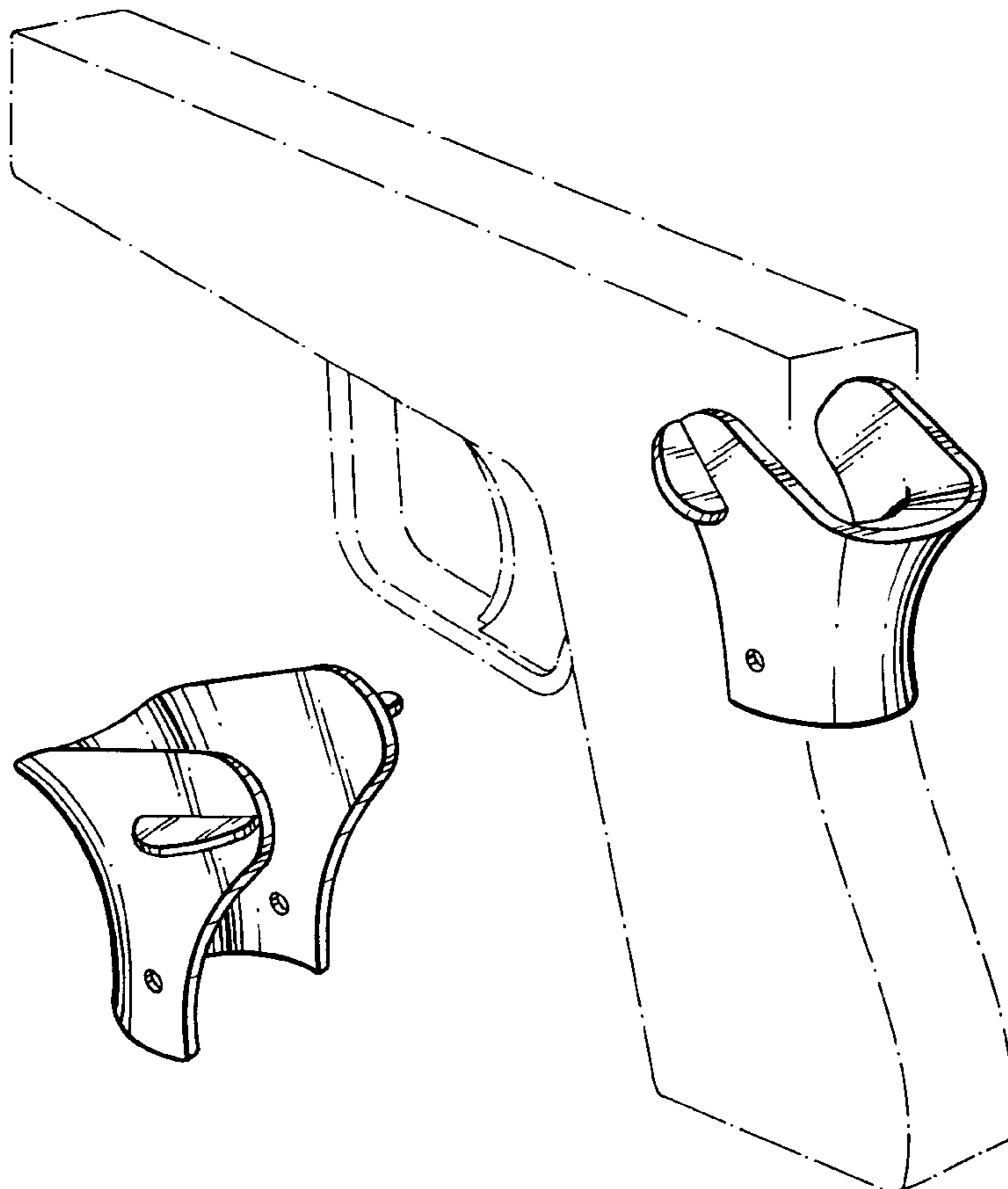
FIG. 1 is a top rear perspective view of a recoil control thumb rest showing my new design;  
FIG. 2 is a top front perspective view thereof;  
FIG. 3 is a top view thereof;  
FIG. 4 is a side elevational view thereof, the opposite side elevational view being a mirror image of that shown;  
FIG. 5 is a bottom plan view thereof;  
FIG. 6 is a front elevational view thereof; and,  
FIG. 7 is a rear elevational view thereof.  
The broken line showing of a gun, in FIG. 1, is for illustrative purposes only and forms no part of the claimed design.

(56) **References Cited**

**U.S. PATENT DOCUMENTS**

3,492,748 A \* 2/1970 Swenson ..... 42/70.01  
D260,548 S 9/1981 Holland ..... D22/7  
4,352,317 A \* 10/1982 Wilhelm ..... 89/154  
4,414,769 A 11/1983 Mueschke ..... 42/70 R  
D286,669 S 11/1986 Ballard et al. .... D22/108  
5,194,677 A \* 3/1993 Schuemann ..... 42/71.02  
5,212,327 A 5/1993 Schuemann ..... 42/70.01  
5,231,237 A \* 7/1993 Cupp ..... 42/71.02  
D346,846 S 5/1994 Eberle ..... D22/108  
D415,238 S 10/1999 Kay ..... D22/108

**1 Claim, 2 Drawing Sheets**



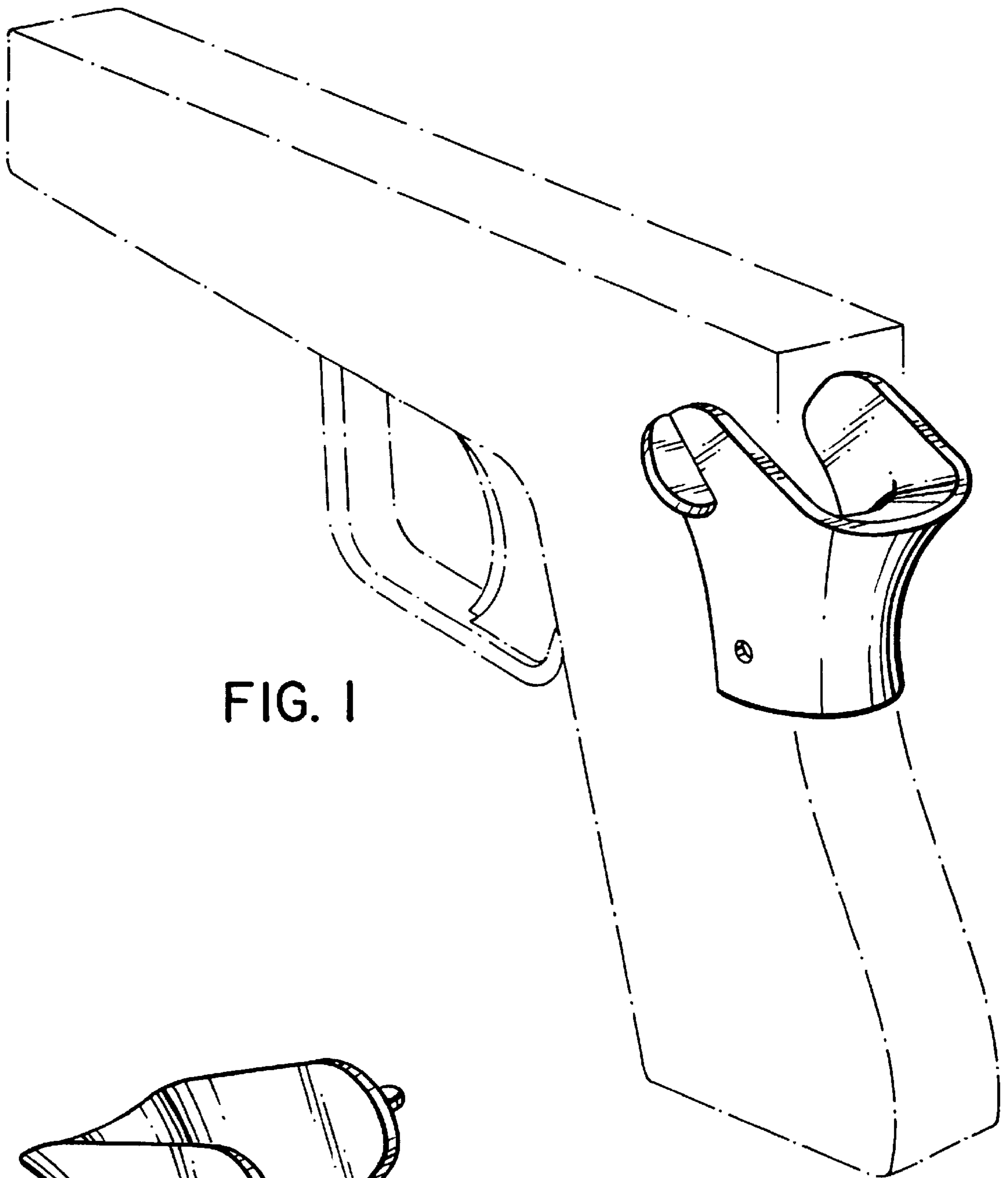


FIG. 1

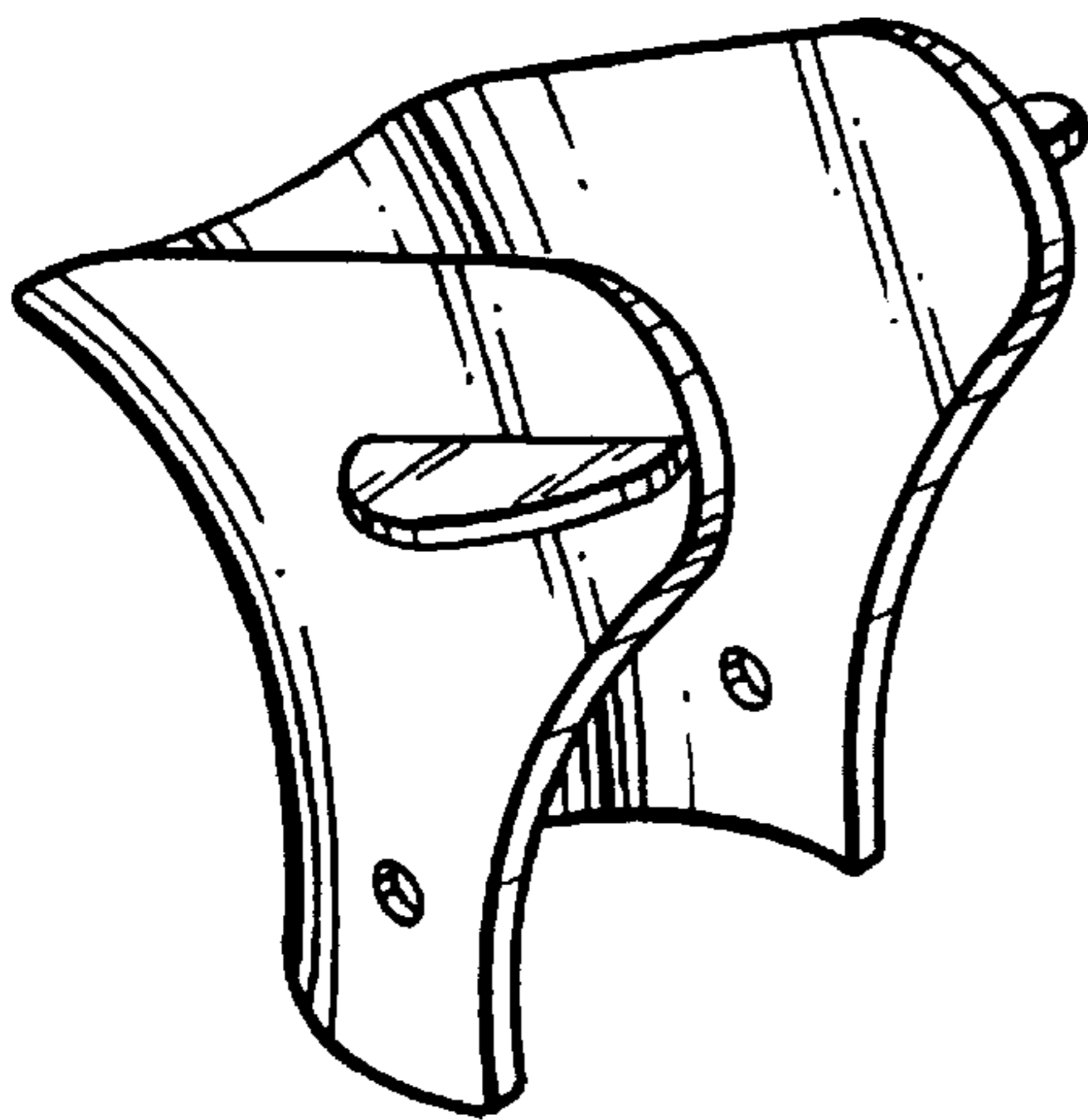


FIG. 2

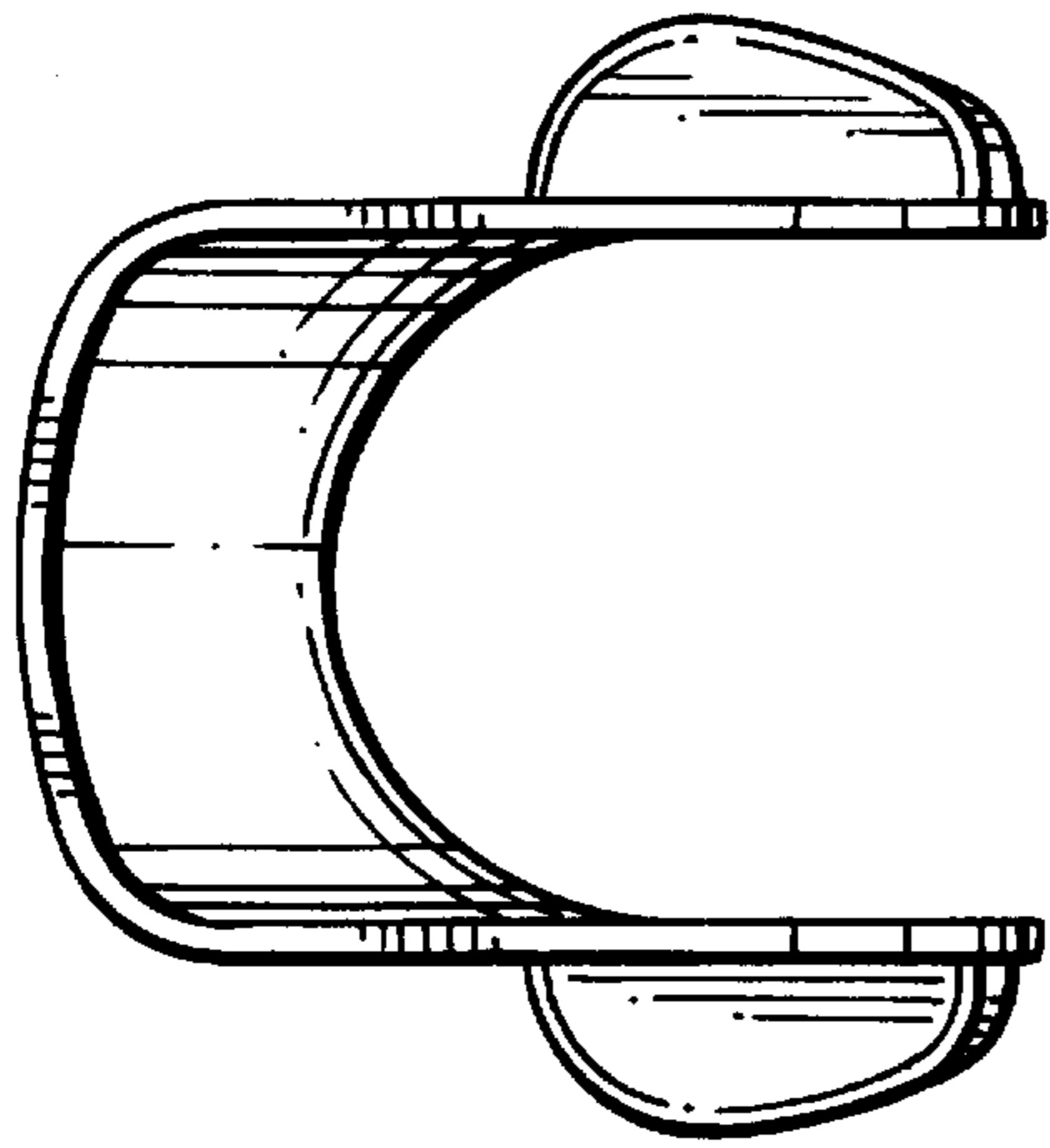


FIG. 3

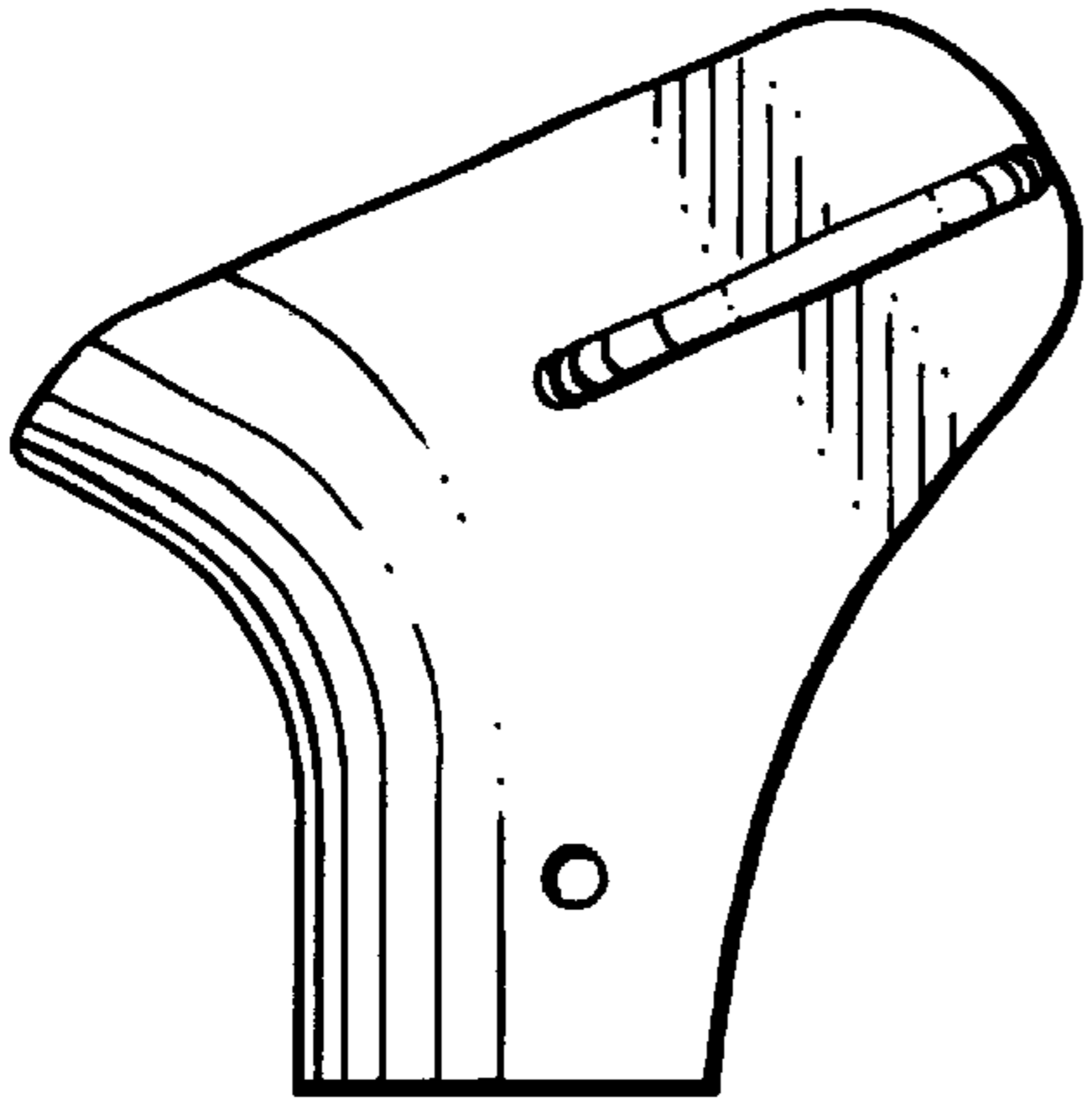


FIG. 4

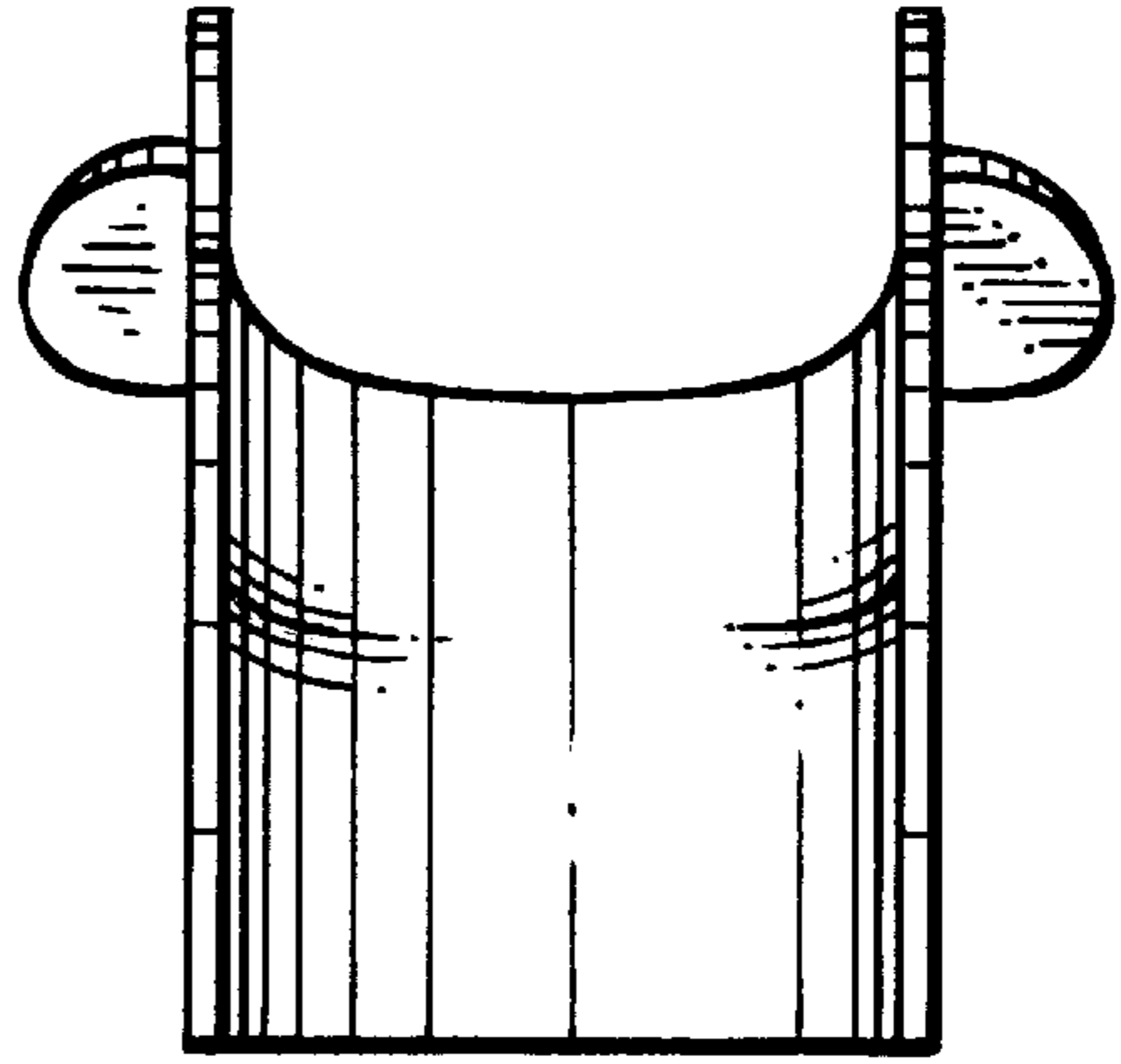


FIG. 6

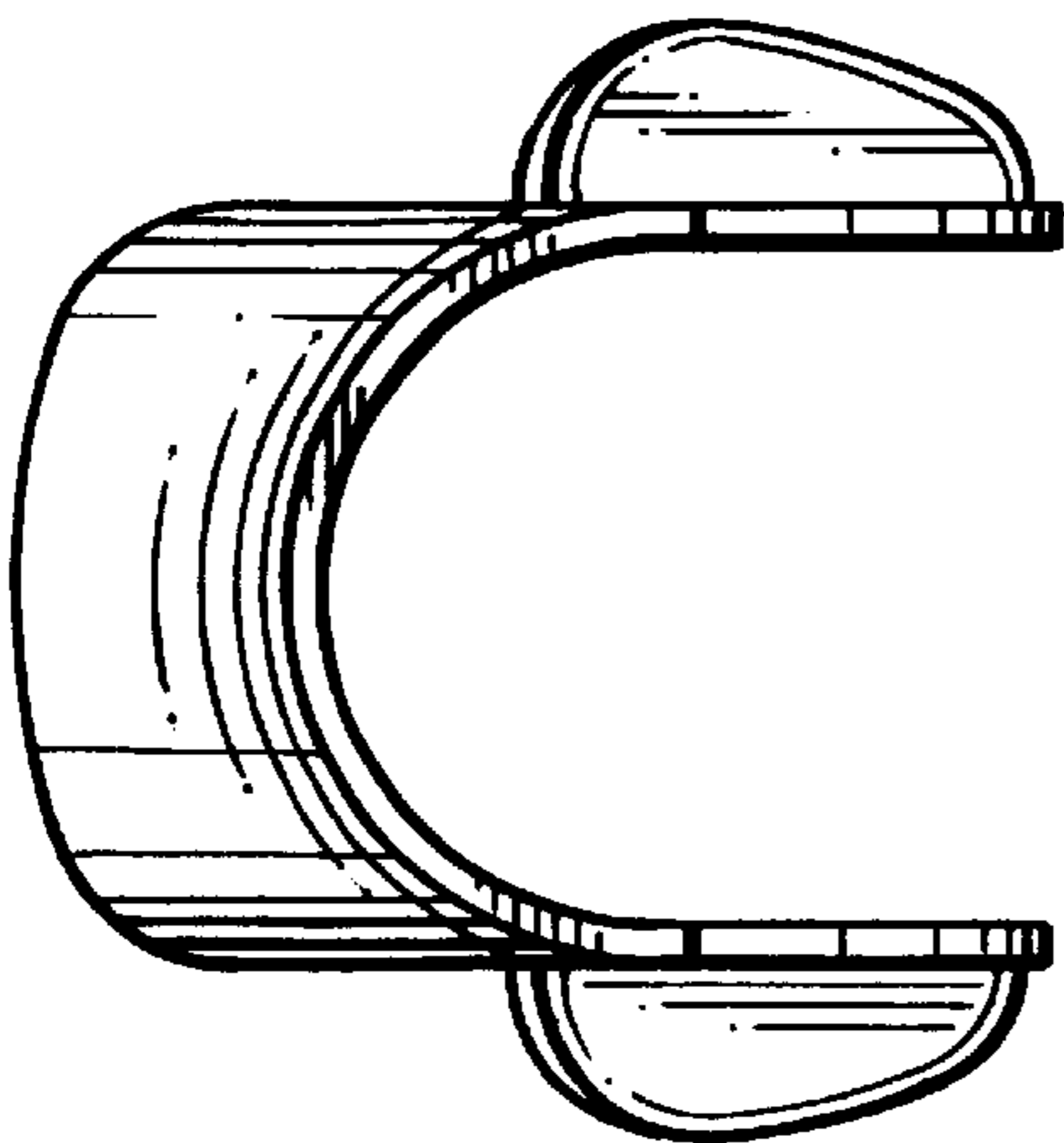


FIG. 5

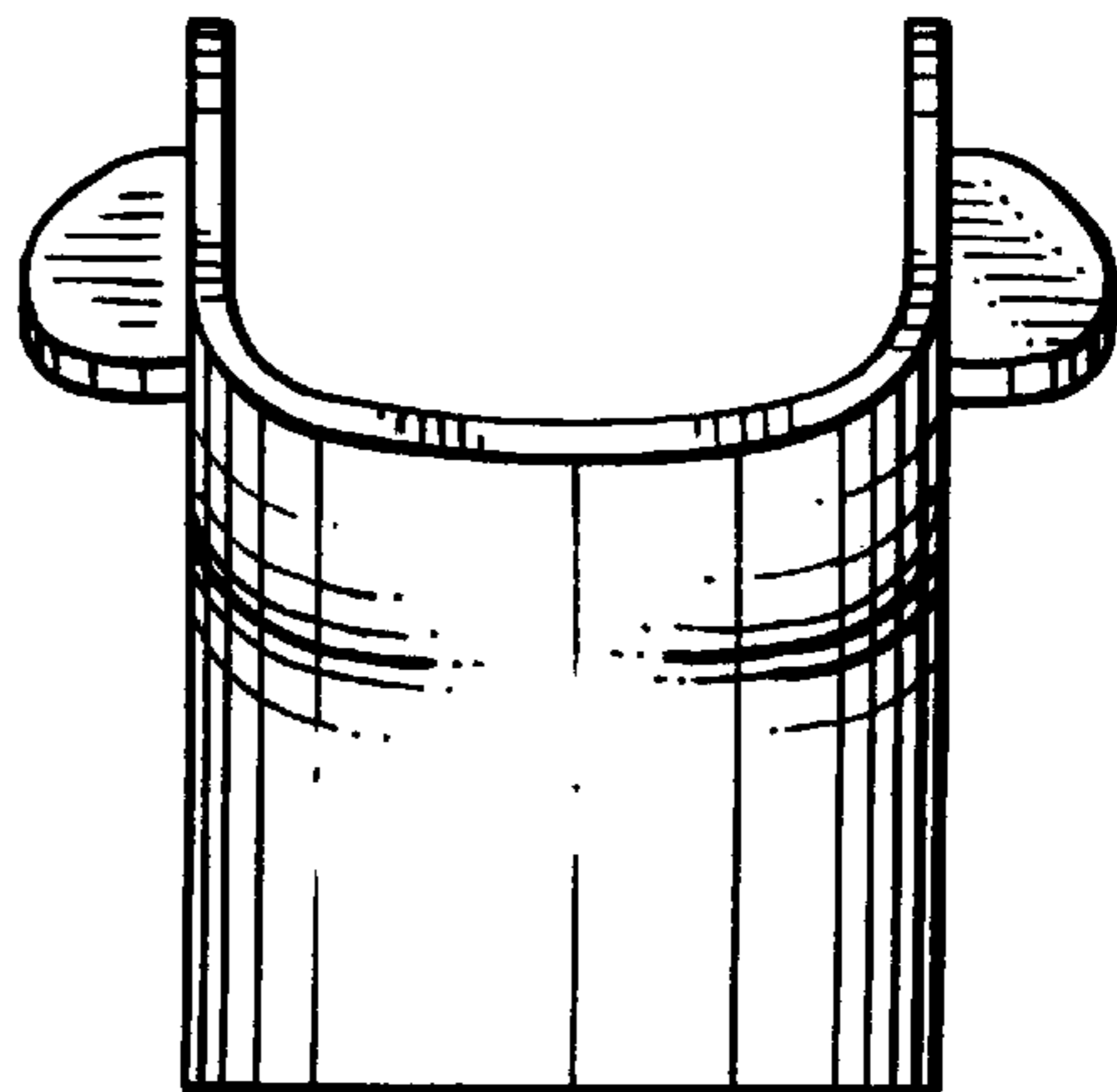


FIG. 7