



US00D472598S

(12) **United States Design Patent**  
**Lawrence**

(10) **Patent No.:** **US D472,598 S**

(45) **Date of Patent:** **\*\* Apr. 1, 2003**

(54) **GOLF CLUB HOLDER**

(76) Inventor: **Richard Lawrence**, 343 N. Park Ave.,  
Buffalo, NY (US) 14216

(\*\*) Term: **14 Years**

(21) Appl. No.: **29/161,588**

(22) Filed: **Jun. 3, 2002**

(51) **LOC (7) Cl.** ..... **21-02**

(52) **U.S. Cl.** ..... **D21/796**

(58) **Field of Search** ..... D21/789, 796;  
D6/552; 206/315.2; 473/282

(56) **References Cited**

**U.S. PATENT DOCUMENTS**

D318,090 S	*	7/1991	Bahns	.....	D21/796
D360,248 S	*	7/1995	Wright	.....	D21/796
D360,451 S	*	7/1995	Levoez	.....	D21/796
D407,774 S	*	4/1999	Weiss	.....	D21/796
D458,660 S	*	6/2002	Stealy	.....	D21/796

\* cited by examiner

*Primary Examiner*—Mitchell Siegel

(74) *Attorney, Agent, or Firm*—Crossetta & Associates

(57) **CLAIM**

The ornamental design for a golf club holder, as shown.

**DESCRIPTION**

FIG. 1, is a right front perspective view of a golf club holder,

showing my new design, the top left side perspective view being a mirror image thereof.

FIG. 2, is a back elevational view of the golf club holder of FIG. 1.

FIG. 3, is a front elevational view of the golf club holder of FIG. 1.

FIG. 4, is a right side elevational view of the golf club holder of FIG. 1, the left side elevational view being a mirror image thereof.

FIG. 5, is a bottom elevational view of the golf club holder of FIG. 1.

FIG. 6, is a top elevational view of the golf club holder of FIG. 1.

FIG. 7, is a right front perspective view of an another embodiment of the golf club holder showing my new design, the top left side perspective view being a mirror image thereof.

FIG. 8, is a back elevational view of the golf club holder of FIG. 7.

FIG. 9, is a front elevational view of the golf club holder of FIG. 7.

FIG. 10, is a right side elevational view of the golf club holder of FIG. 7, the left side elevational view being a mirror image thereof.

FIG. 11, is a bottom elevational view of the golf club holder of FIG. 7.

FIG. 12, is a top elevational view of the golf club holder of FIG. 7; and,

FIG. 13, an exploded view showing the contents of the top of the golf club holder of FIG. 7.

**1 Claim, 11 Drawing Sheets**

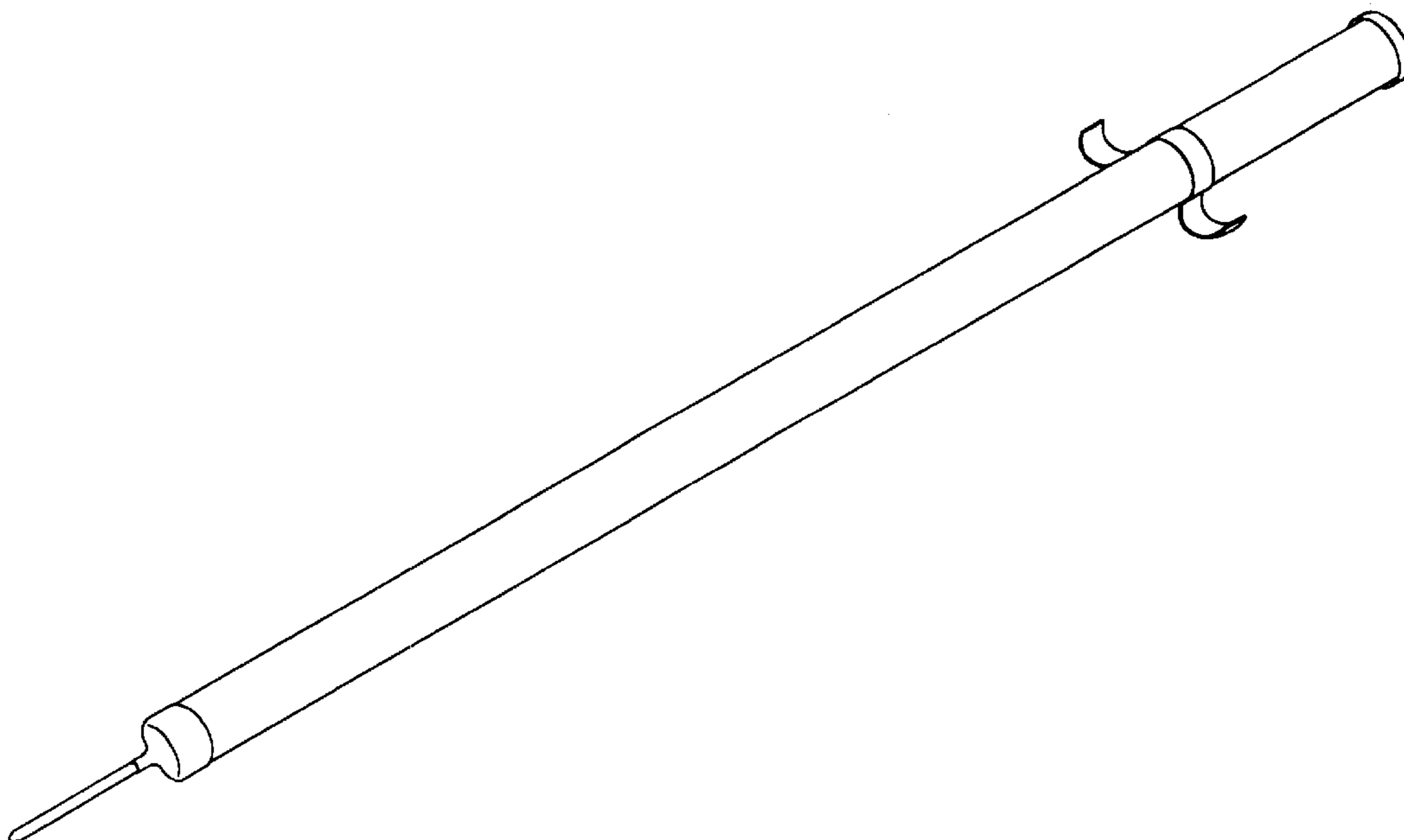


Fig.1

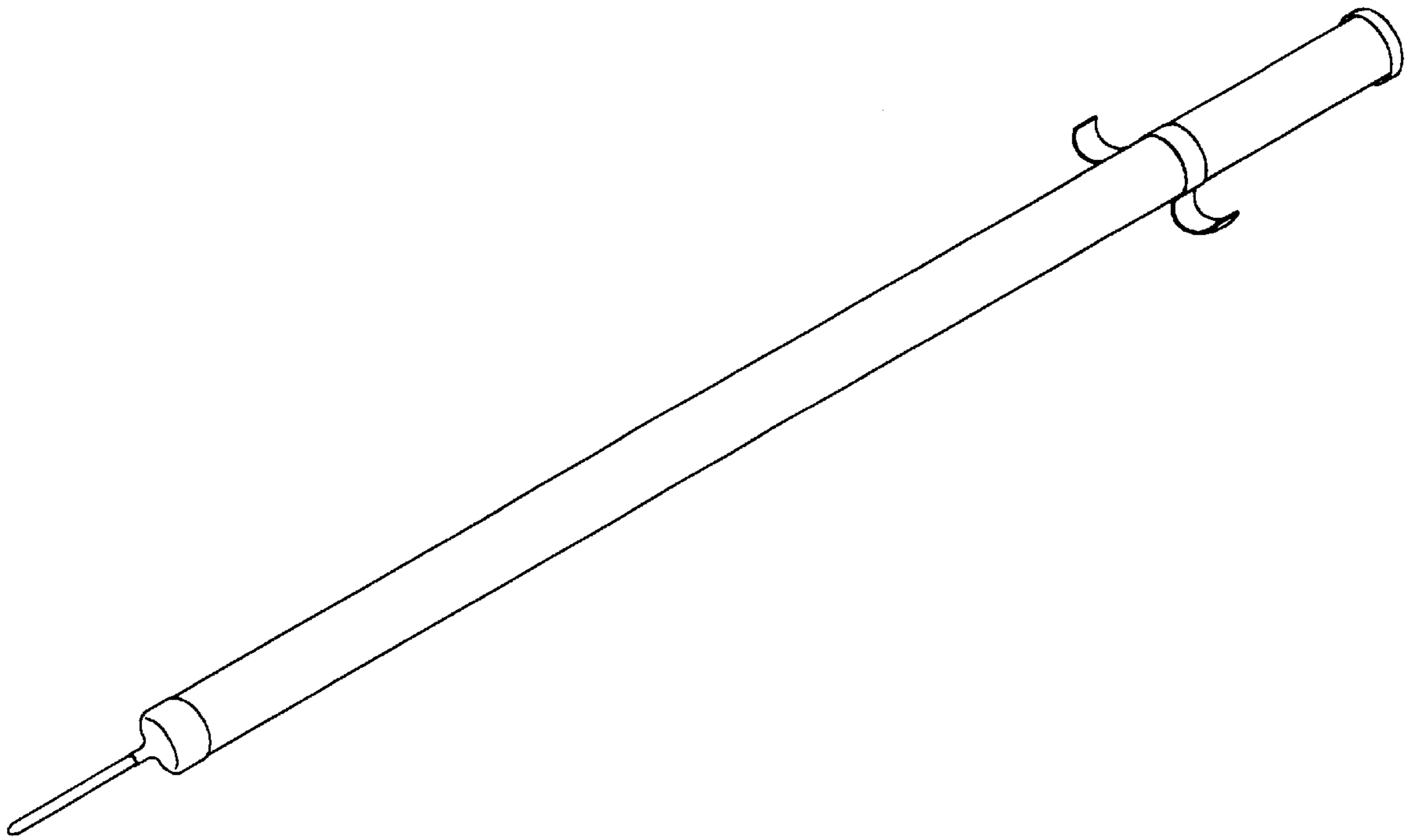


Fig. 2

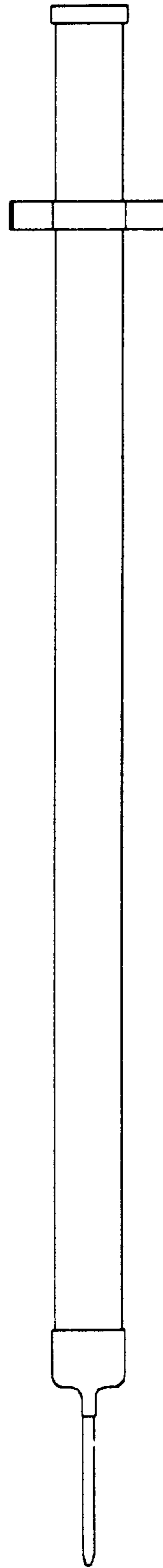


Fig. 3

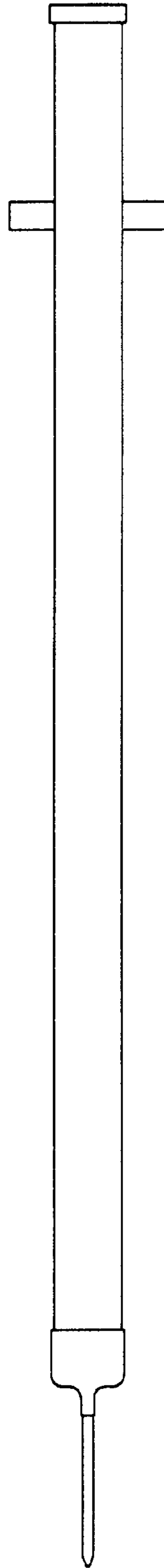


Fig. 4

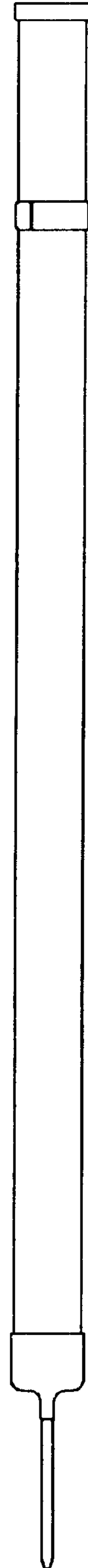


Fig. 5

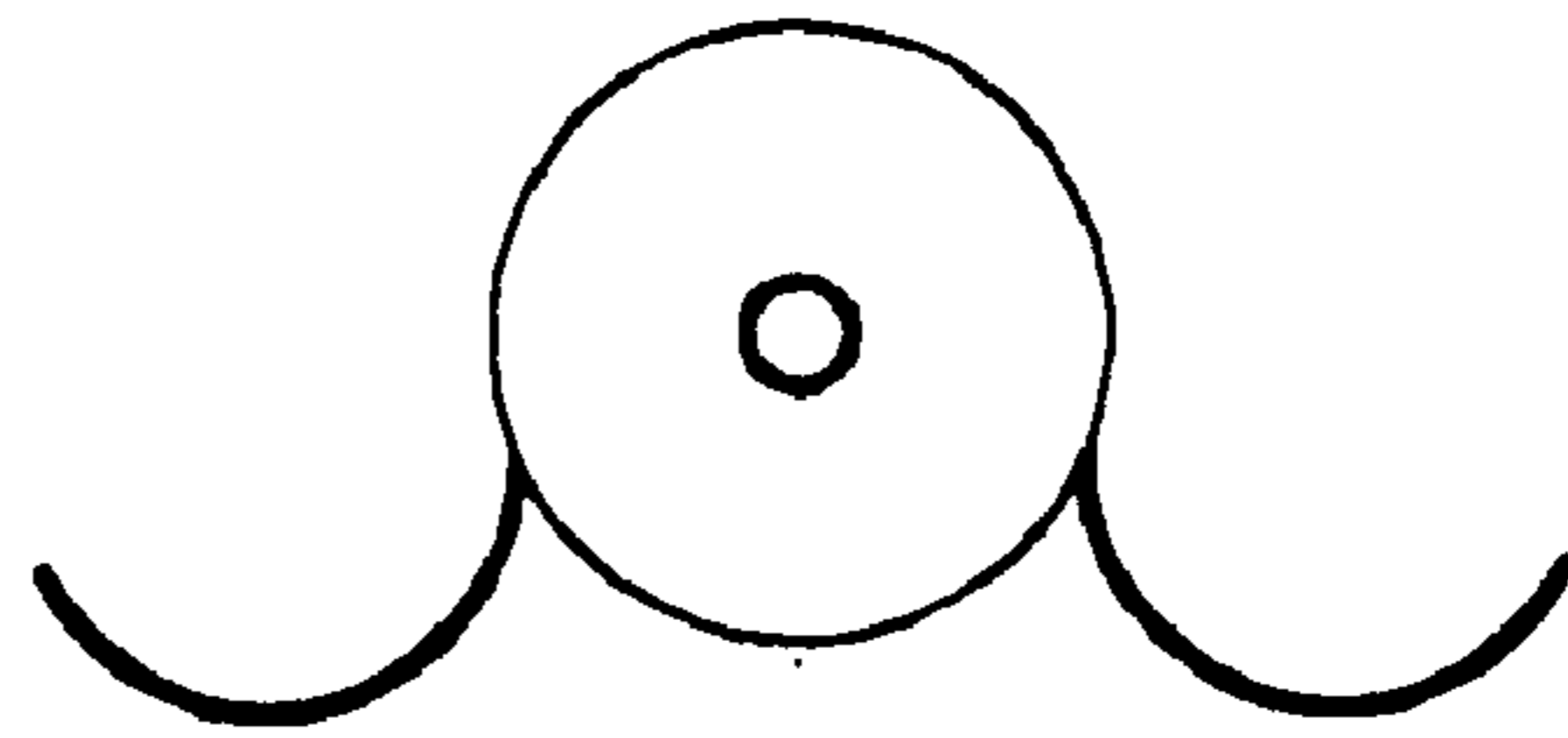


Fig. 6

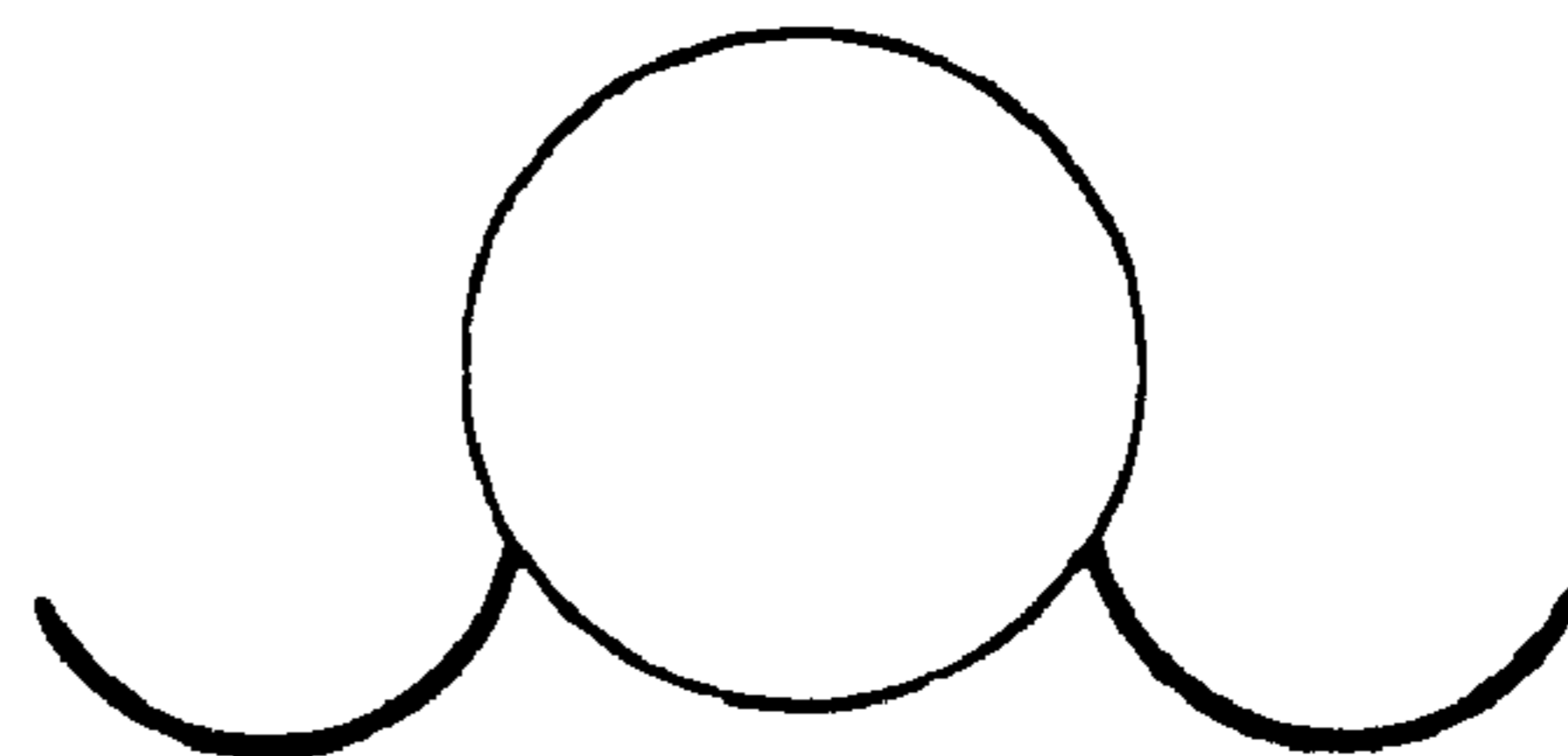


Fig. 7

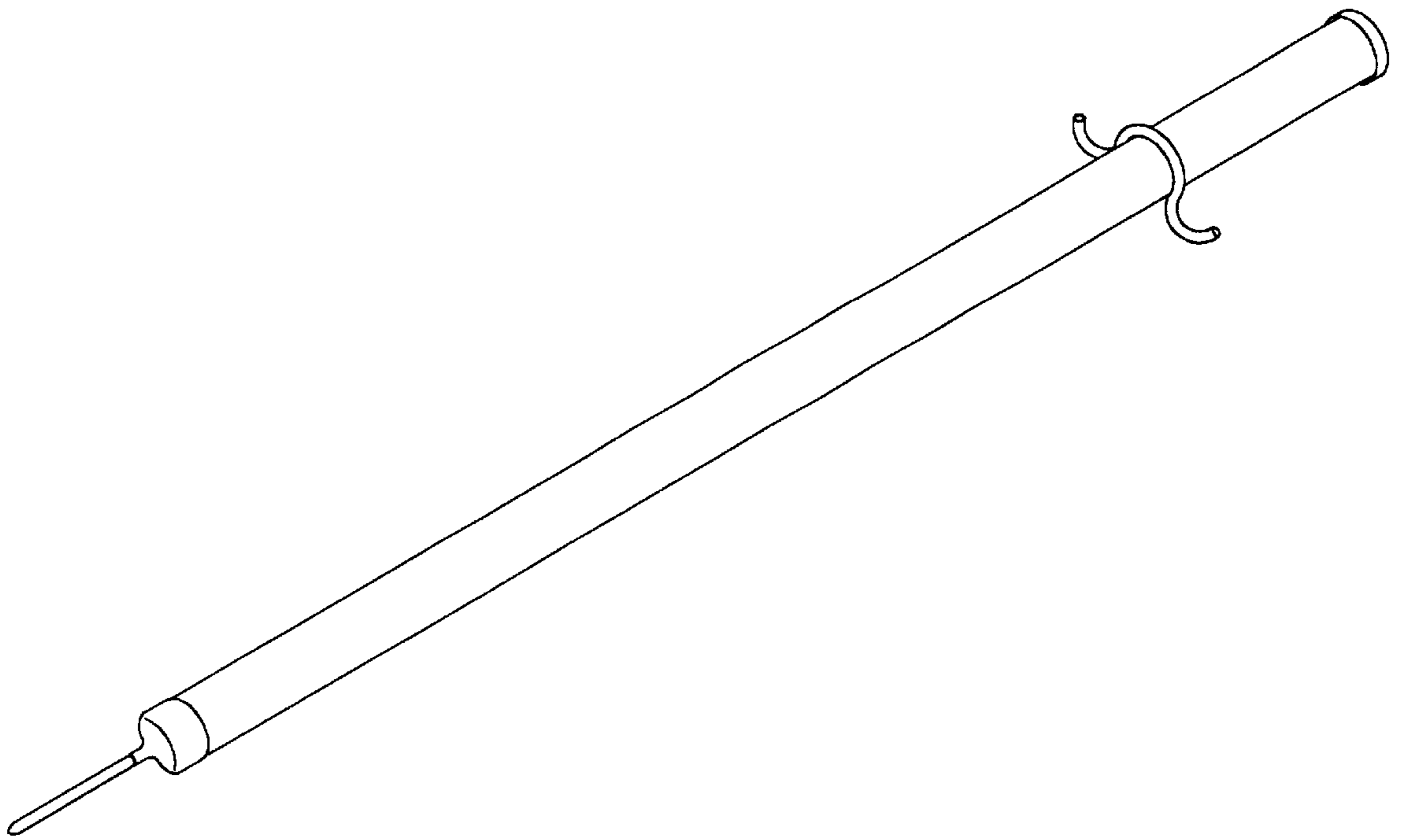


Fig. 8

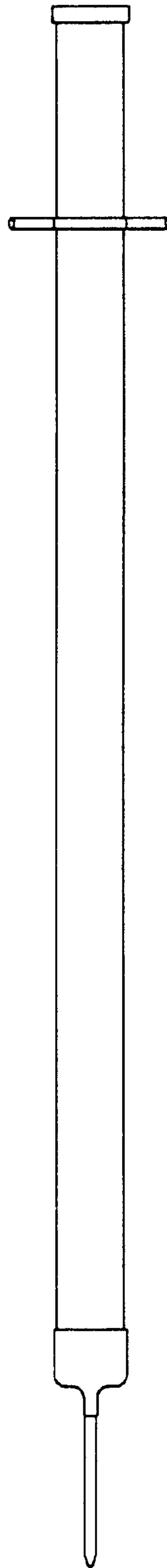




Fig. 9

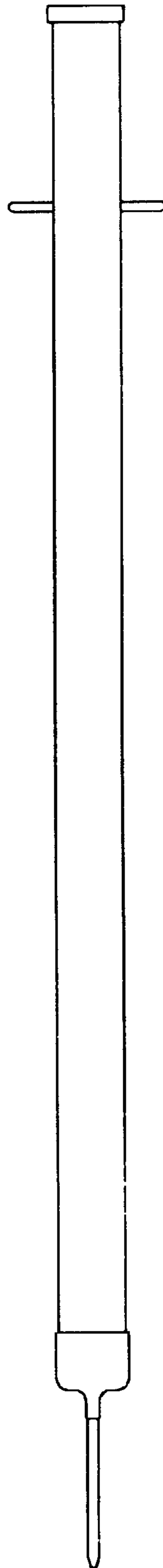


Fig. 10



Fig. 11

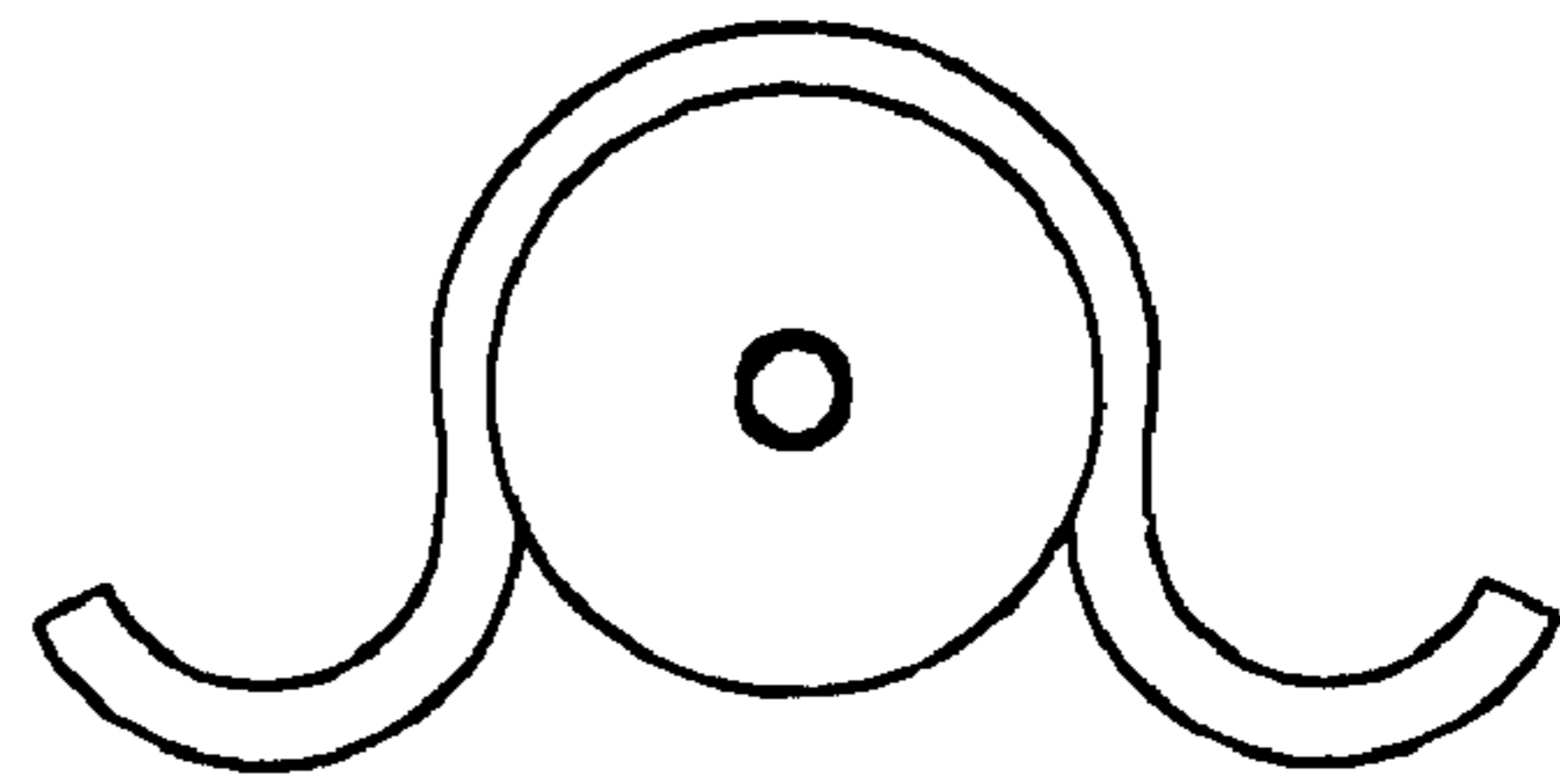


Fig. 12

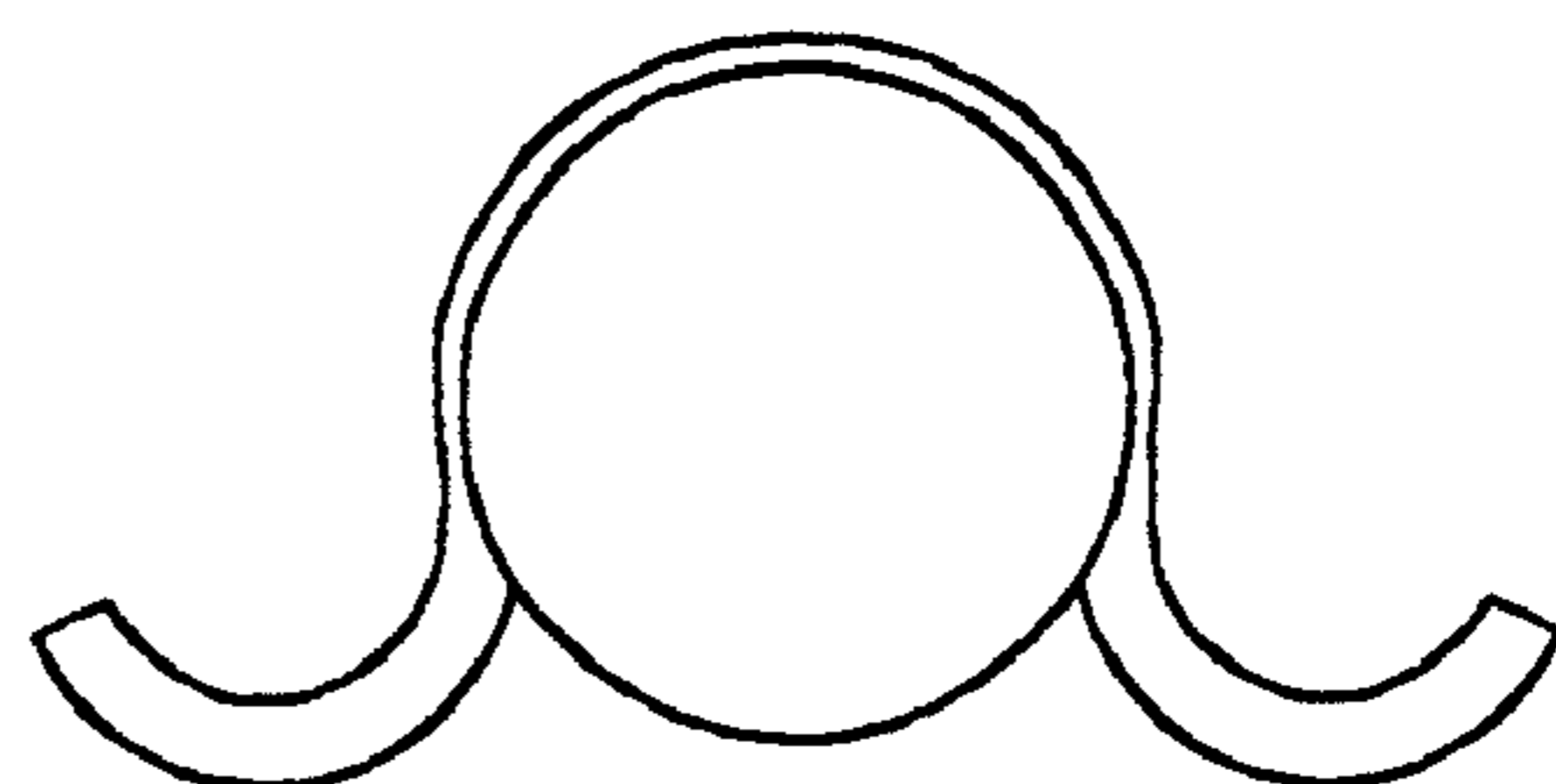


Fig. 13

