



US00D472596S

(12) **United States Design Patent**
Schnuckle et al.

(10) **Patent No.:** **US D472,596 S**

(45) **Date of Patent:** **** Apr. 1, 2003**

(54) **FOLDABLE SKATEBOARD**

(75) Inventors: **Gary Schnuckle**, Altadena, CA (US);
David A. Powell, Blaine, MN (US)

(73) Assignees: **Minson Enterprises Co., Ltd.**, Taipei (TW); **Stowbiz, LLC**, Blaine, MN (US)

(**) Term: **14 Years**

(21) Appl. No.: **29/164,904**

(22) Filed: **Aug. 1, 2002**

(51) **LOC (7) Cl.** **21-02**

(52) **U.S. Cl.** **D21/765**

(58) **Field of Search** D21/419-435,
D21/533, 548-551, 760, 763, 765, 771;
280/87.01, 87.021, 87.03, 87.041, 87.042,
11.19, 11.28; 446/465, 470

(56) **References Cited**

U.S. PATENT DOCUMENTS

1,854,188	A	*	4/1932	Gregory	
D302,993	S	*	8/1989	Heilig	
5,551,717	A	*	9/1996	De Courcey Milne	. 280/87.042
D398,358	S	*	9/1998	Jeffreys	
5,803,473	A	*	9/1998	Bouden 280/11.19
5,924,710	A	*	7/1999	De Courcey Milne	. 280/87.042
5,997,018	A	*	12/1999	Lee 280/11.28

* cited by examiner

Primary Examiner—Raphael Barkai
(74) *Attorney, Agent, or Firm*—Kinney & Lange, P.A.

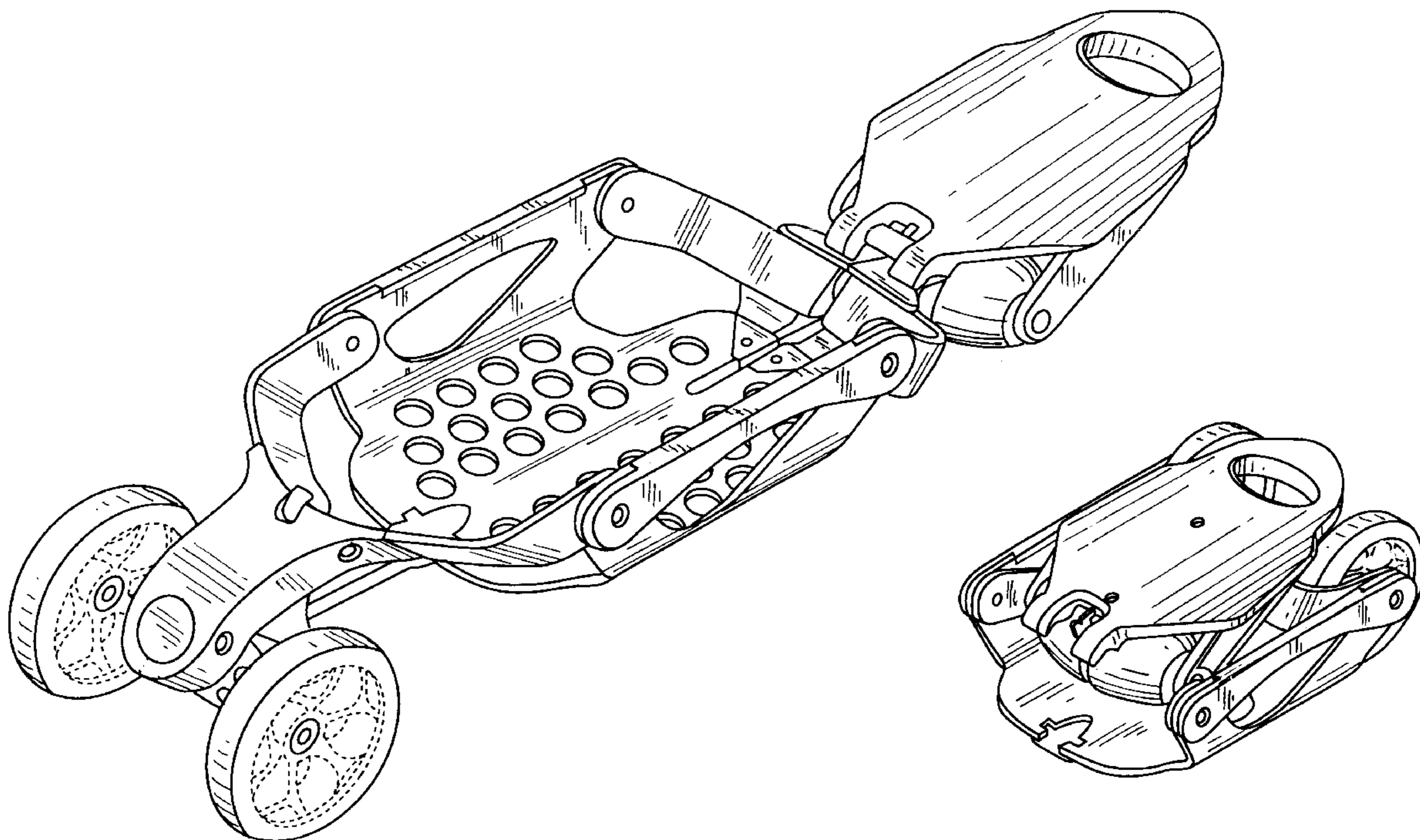
(57) **CLAIM**

The ornamental design for a foldable skateboard, as shown and described.

DESCRIPTION

FIG. 1 is a perspective view of the present invention;
 FIG. 2 is a right side elevational view thereof;
 FIG. 3 is a left side elevational view thereof;
 FIG. 4 is a front view thereof;
 FIG. 5 is a rear view thereof;
 FIG. 6 is a top view thereof;
 FIG. 7 is a bottom view thereof;
 FIG. 8 is a perspective view of the invention of FIG. 1 in a folded state;
 FIG. 9 is a perspective view of another embodiment of the present invention;
 FIG. 10 is a right side elevational view of the embodiment of FIG. 9;
 FIG. 11 is a left side elevational view of the embodiment of FIG. 9;
 FIG. 12 is a front view of the embodiment of FIG. 9;
 FIG. 13 is a rear view of the embodiment of FIG. 9;
 FIG. 14 is a top view of the embodiment of FIG. 9;
 FIG. 15 is a bottom view of the embodiment of FIG. 9; and,
 FIG. 16 is a perspective view of the invention of FIG. 9 in a folded state.

1 Claim, 10 Drawing Sheets



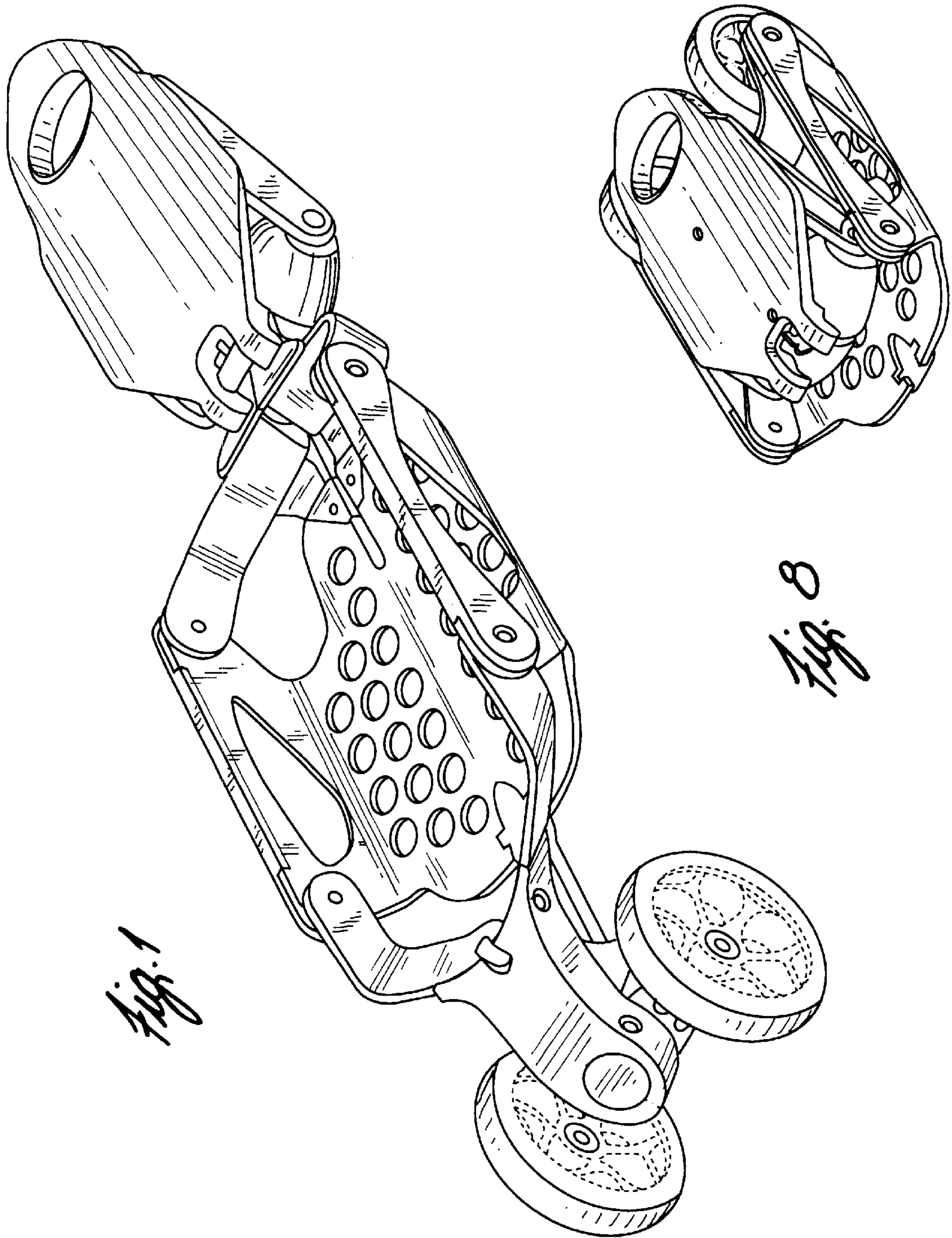


Fig. 1

Fig. 2

Fig. 3

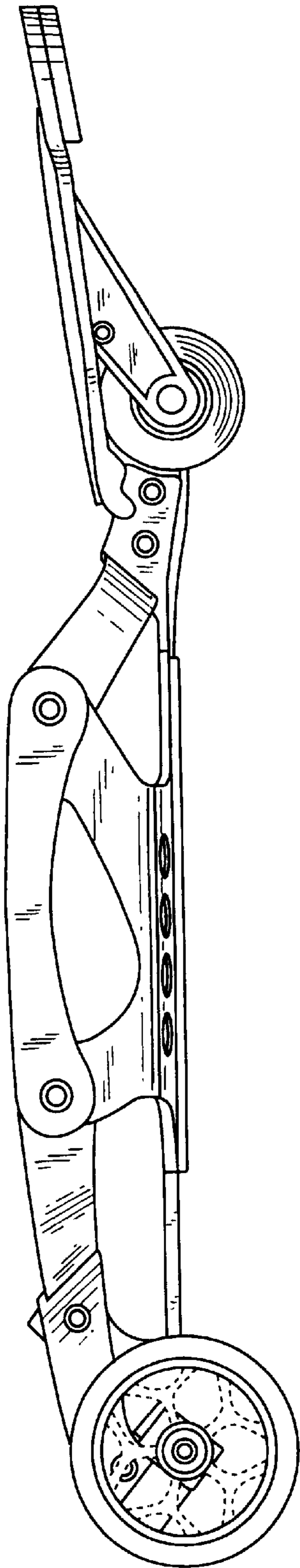


Fig. 2

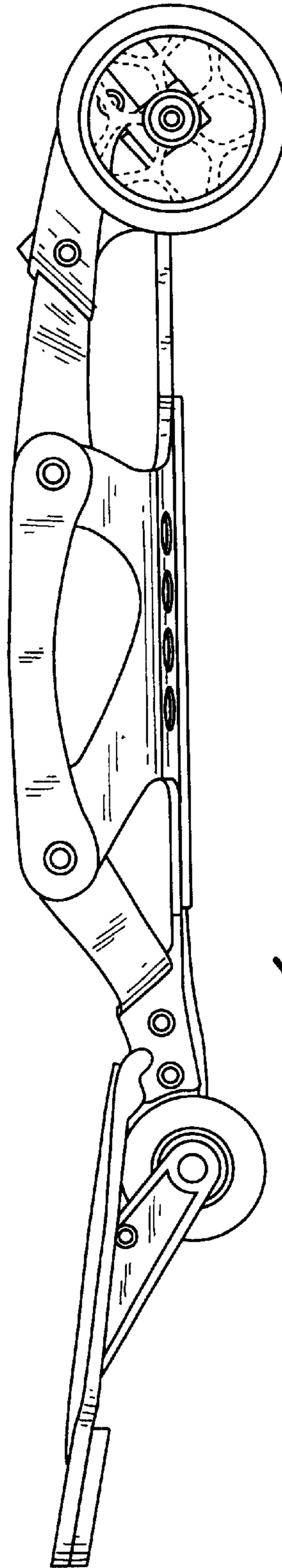


Fig. 3

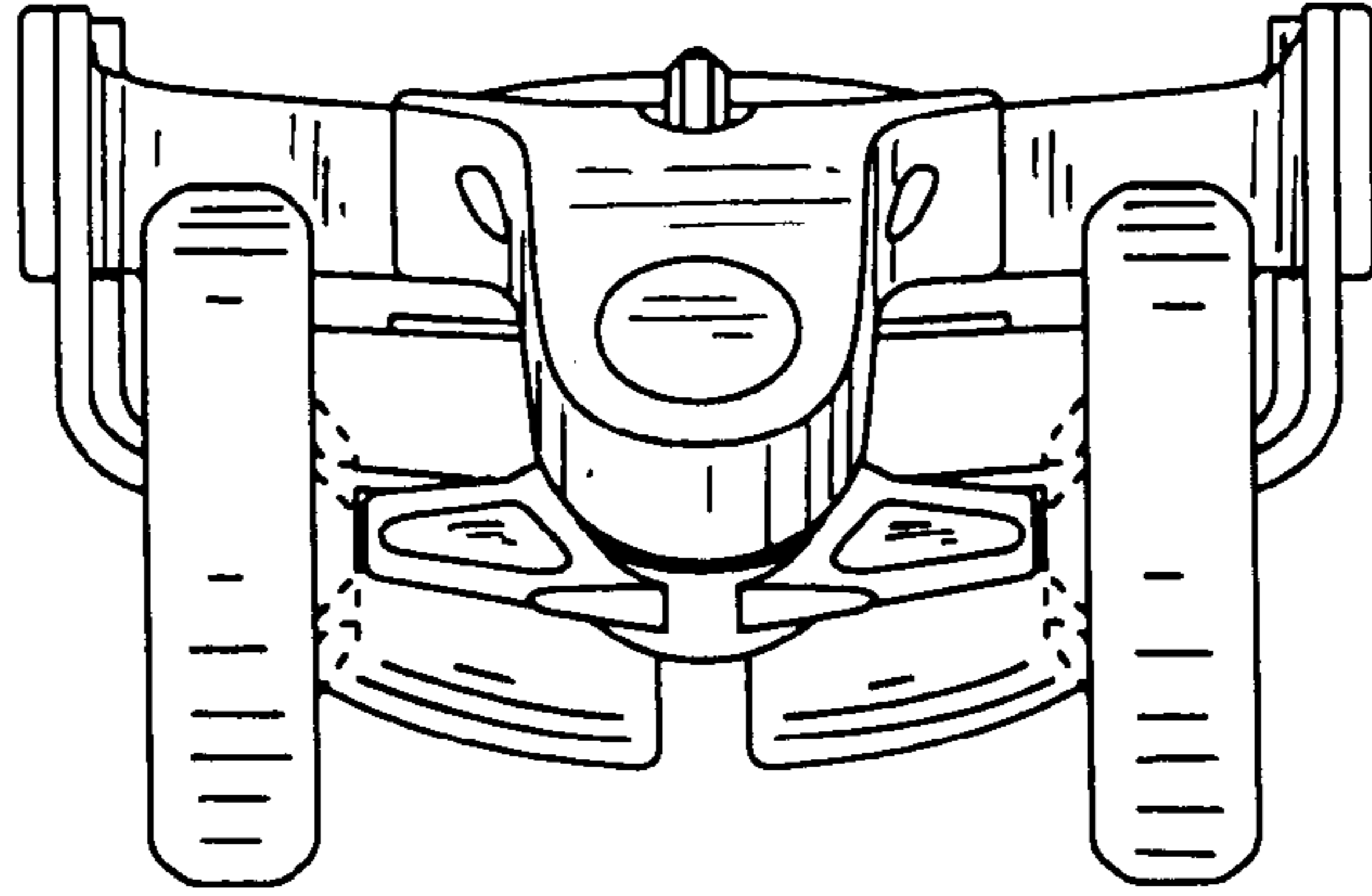


Fig. 4

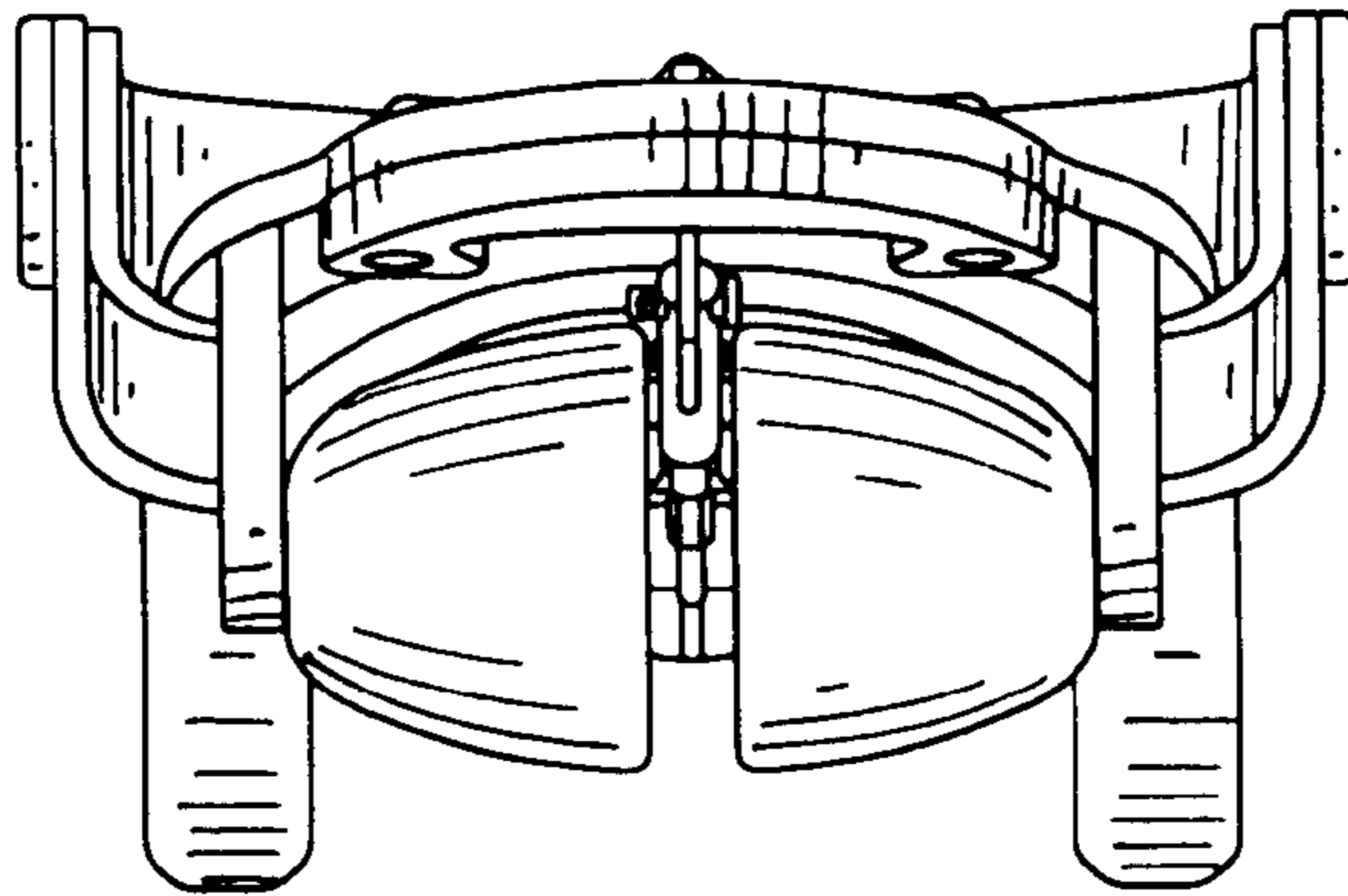


Fig. 5

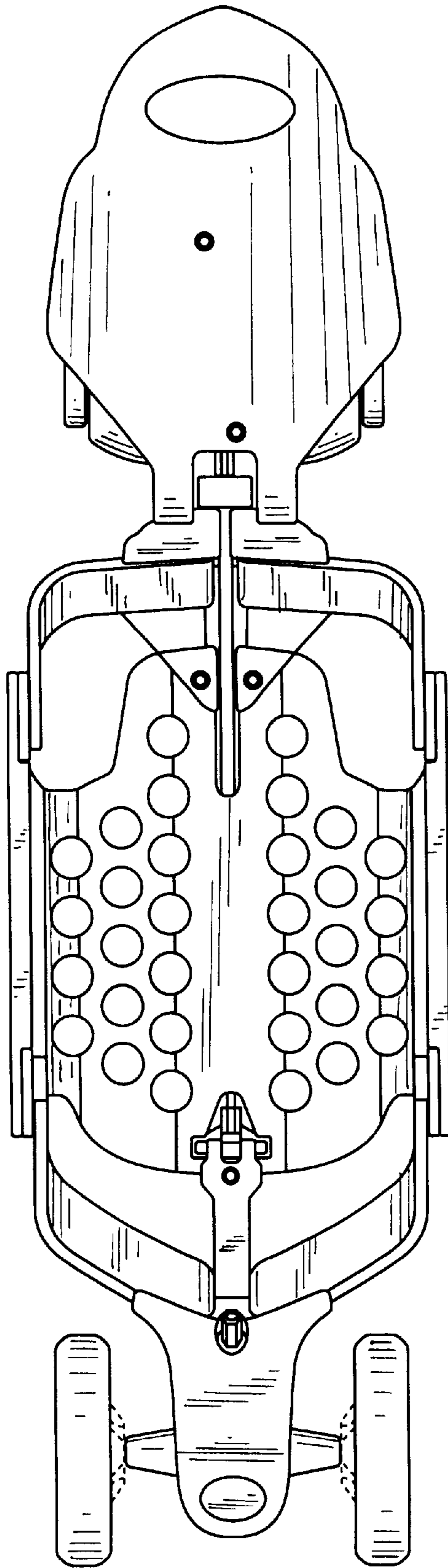


Fig. 6

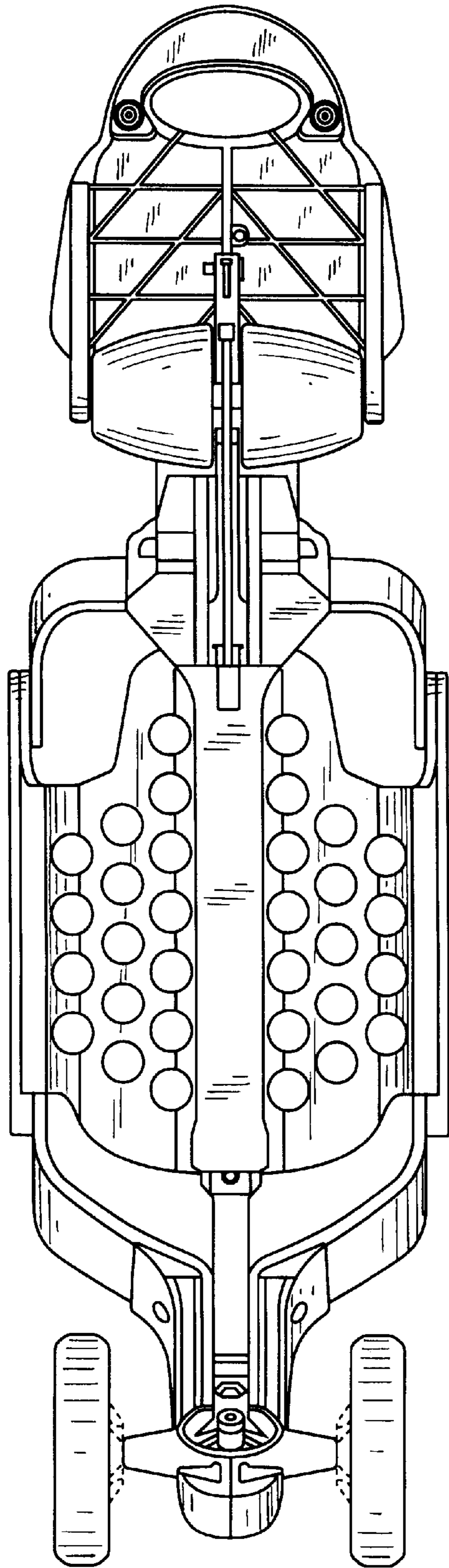


Fig. 7

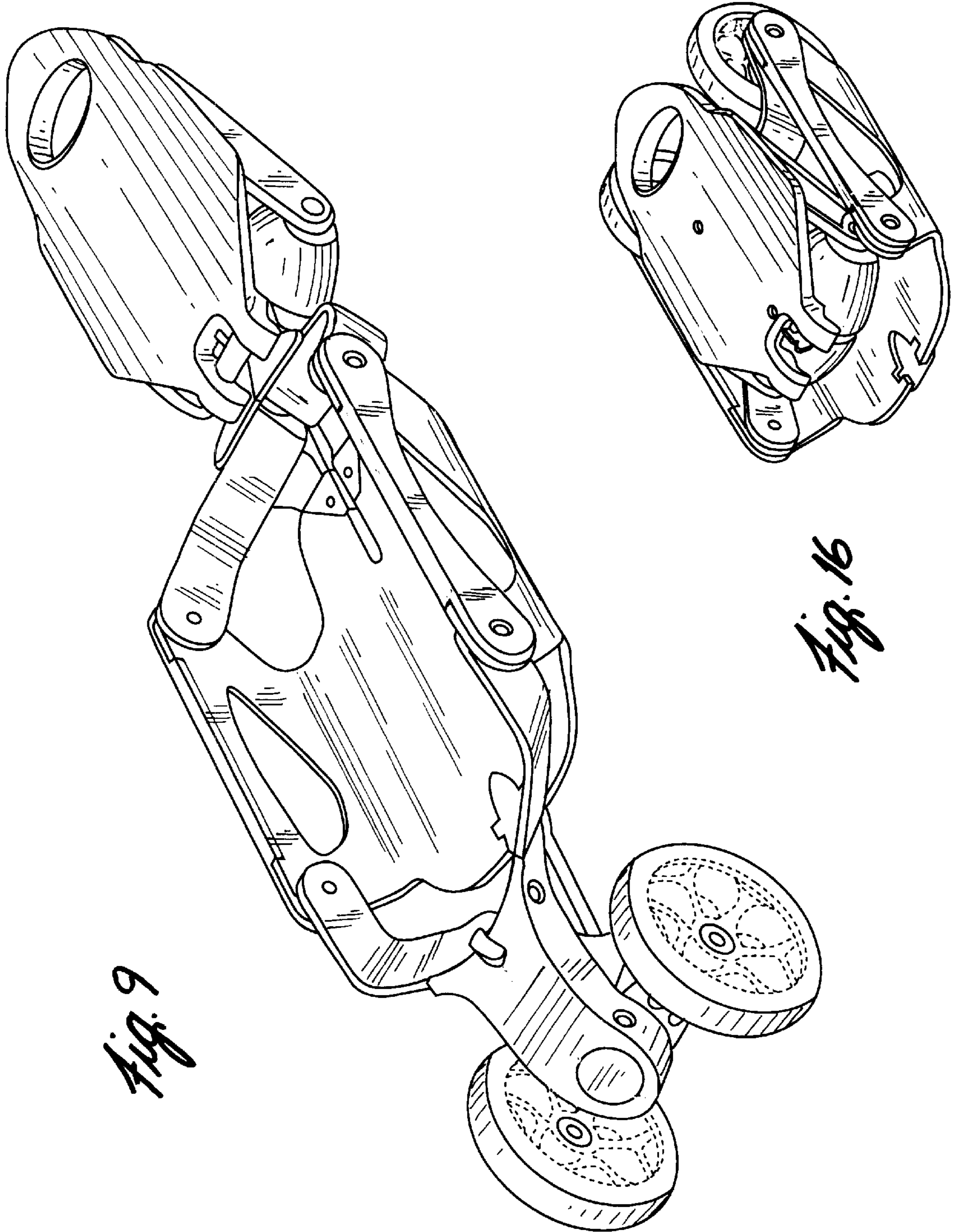


Fig. 9

Fig. 16

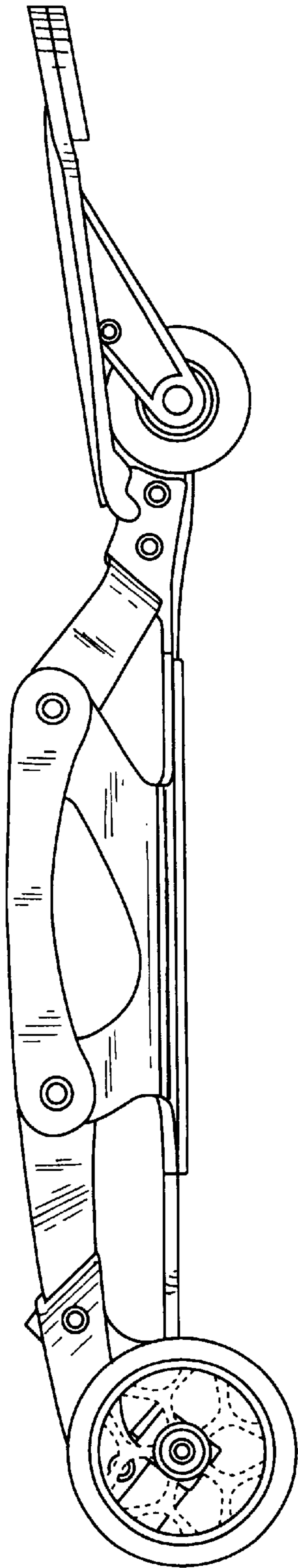


Fig. 10

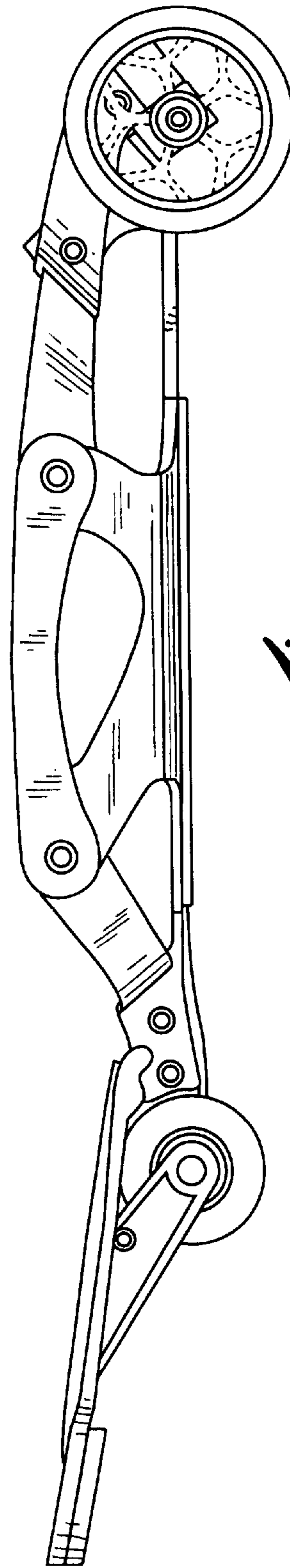


Fig. 11

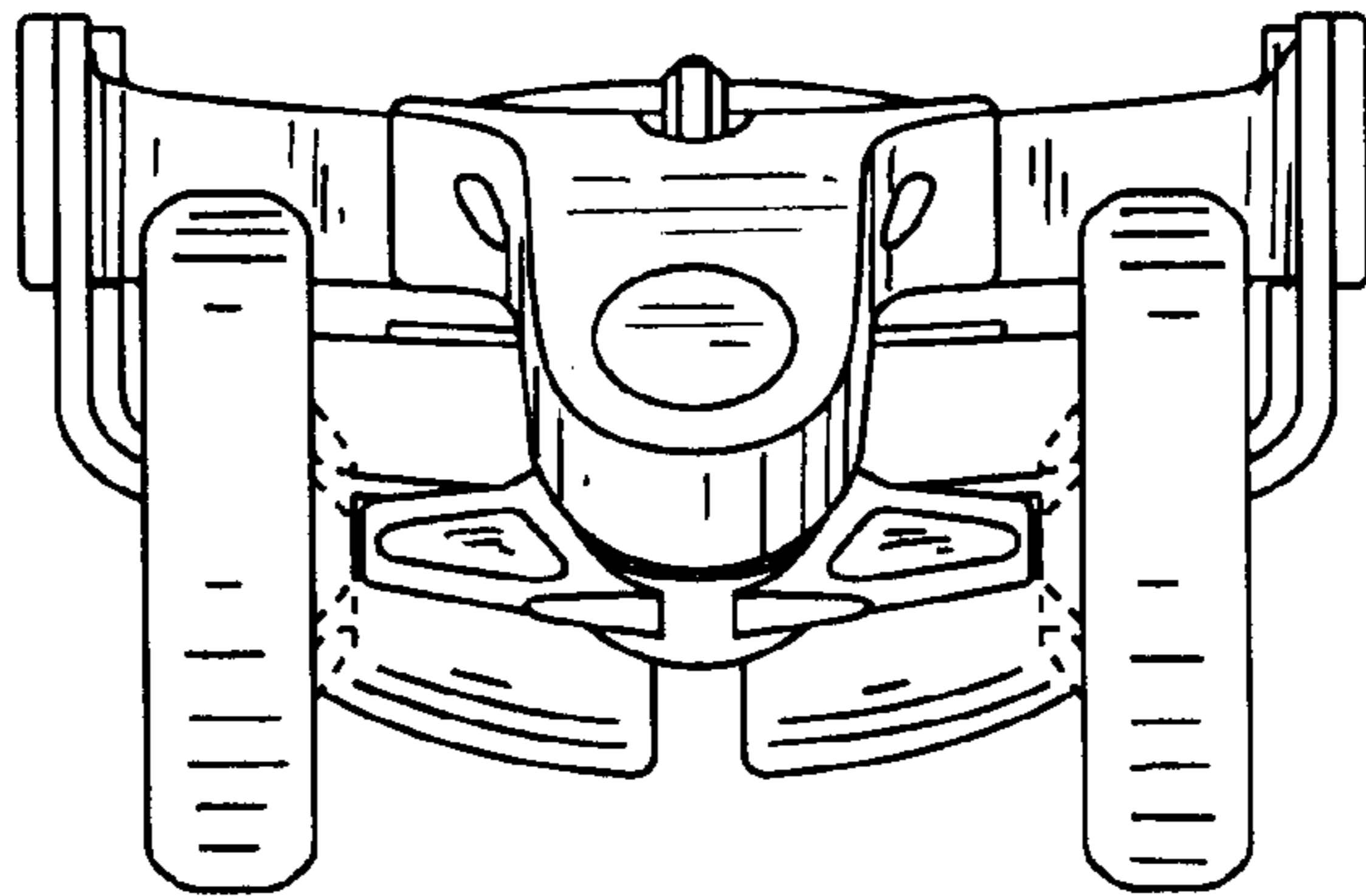


Fig. 12

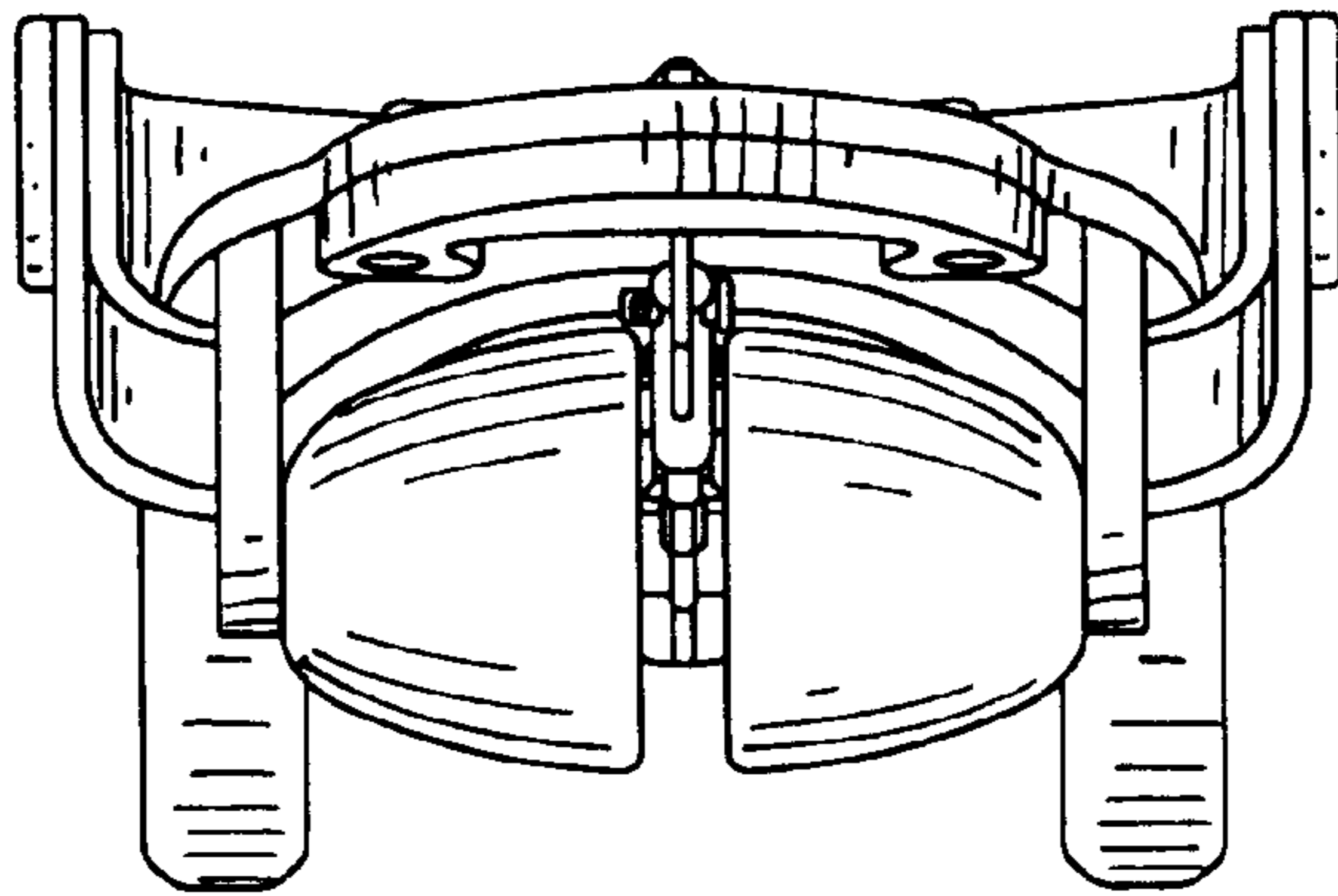


Fig. 13

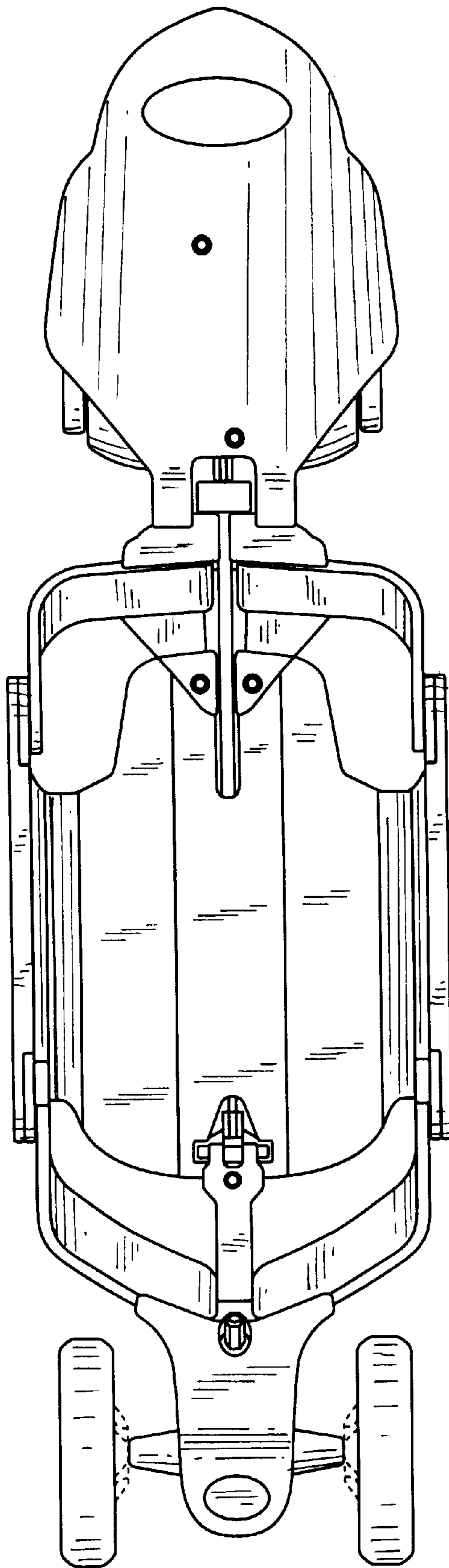


Fig. 1A

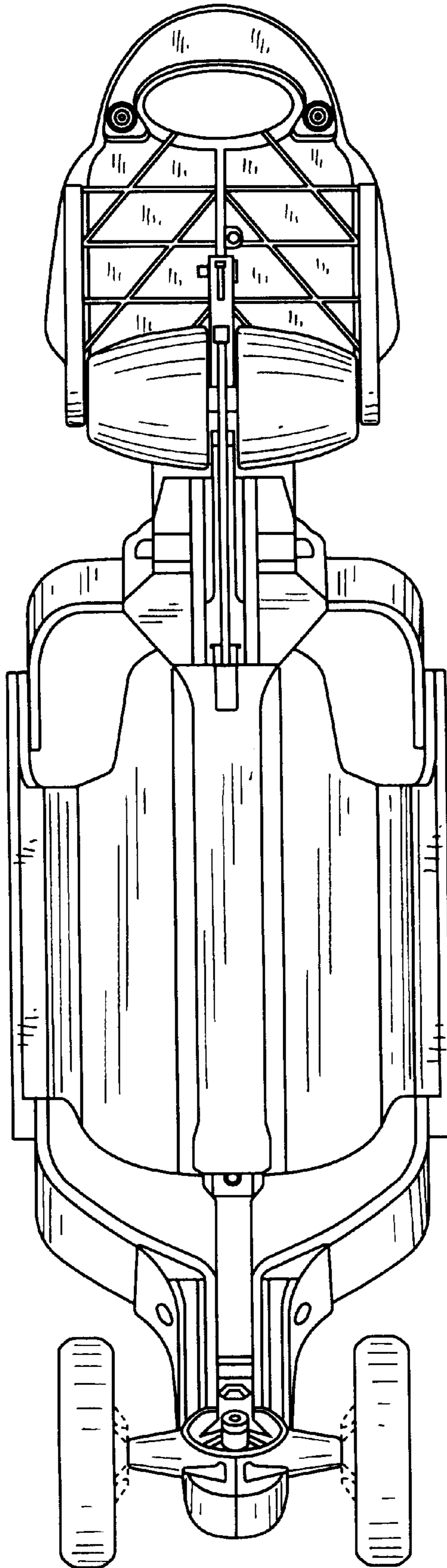


Fig. 15