



US00D472595S

(12) **United States Design Patent**  
**Tang et al.**

(10) **Patent No.: US D472,595 S**

(45) **Date of Patent: \*\* Apr. 1, 2003**

(54) **PUTTER HEAD**

(75) Inventors: **Larry G. Tang**, Carlsbad, CA (US);  
**Augustin W. Rollinson**, Carlsbad, CA  
(US); **Roger Cleveland**, Los Angeles,  
CA (US); **Richard C. Helmstetter**,  
Rancho Santa Fe, CA (US)

(73) Assignee: **Callaway Golf Company**, Carlsbad,  
CA (US)

(\*\*) Term: **14 Years**

(21) Appl. No.: **29/160,437**

(22) Filed: **May 8, 2002**

**Related U.S. Application Data**

(63) Continuation-in-part of application No. 29/147,888, filed on  
Sep. 7, 2001, now Pat. No. Des. 458,656.

(51) **LOC (7) Cl.** ..... **21-02**

(52) **U.S. Cl.** ..... **D21/735**

(58) **Field of Search** ..... D21/736-746,  
D21/735; 473/324, 340, 341, 251-256

(56) **References Cited**

**U.S. PATENT DOCUMENTS**

1,485,272 A	2/1924	Kinsman
1,526,951 A	2/1925	Beaumont
1,546,612 A	7/1925	Barnes
1,569,295 A	1/1926	Munson
1,652,404 A	9/1927	Graveure
1,654,916 A	1/1928	Boyce
1,666,174 A	4/1928	Holland
1,703,199 A	2/1929	McClure
D85,510 S	6/1931	Beach
D90,924 S	10/1933	Replogle
1,960,110 A	5/1934	Iles
2,002,631 A	5/1935	Fiondella
D95,819 S	6/1935	Gourlay
2,056,335 A	10/1936	Wettlaufer
2,057,821 A	10/1936	Costello
D104,495 S	5/1937	Gallagher
2,156,025 A	4/1939	Paul

2,447,967 A	8/1948	Stone
2,478,468 A	8/1949	Drake
2,708,579 A	5/1955	Hugman
D179,002 S	10/1956	Hoffmeister
D179,246 S	11/1956	Gillon
2,781,197 A	2/1957	Wiley
2,838,312 A	6/1958	Drake
2,957,696 A	10/1960	Warpotas
3,021,141 A	2/1962	Polsky et al.
3,064,975 A	11/1962	Smith
D200,585 S	3/1965	Cefaly
3,194,564 A	7/1965	Swan
3,220,733 A	11/1965	Saleeby
3,300,241 A	1/1967	Eberwein et al.
3,310,879 A	3/1967	Brzezinski et al.
3,328,032 A	6/1967	Griswold
3,333,854 A	8/1967	White
3,343,839 A	9/1967	Borah
D209,294 S	11/1967	Hitt

(List continued on next page.)

**OTHER PUBLICATIONS**

Advertisement page from Japanese magazine.

*Primary Examiner*—Mitchell Siegel

(74) *Attorney, Agent, or Firm*—Michael A. Catania

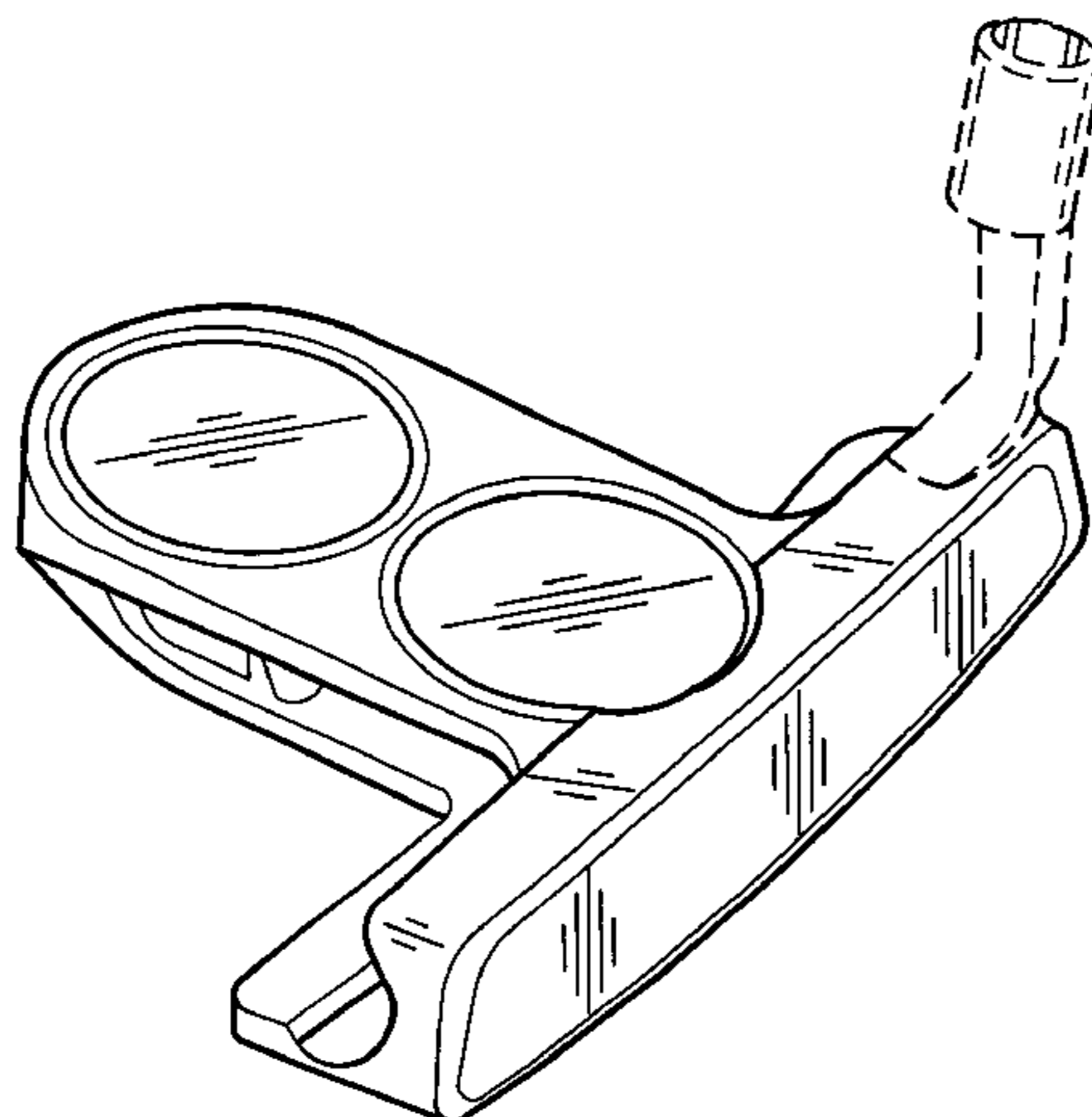
(57) **CLAIM**

The ornamental design for a putter head, as shown and described.

**DESCRIPTION**

FIG. 1 is a perspective view from the top toe of the putter head as herein disclosed;  
FIG. 2 is a perspective view from the top heel thereof;  
FIG. 3 is a perspective view from the bottom thereof;  
FIG. 4 is a top plan view thereof;  
FIG. 5 is a bottom plan view thereof;  
FIG. 6 is a front plan view thereof;  
FIG. 7 is a back plan view thereof;  
FIG. 8 is a heel side view thereof; and,  
FIG. 9 is a toe side view thereof.  
The broken line showing is for illustrative purposes only and forms no part of the claimed design.

**1 Claim, 3 Drawing Sheets**



# US D472,595 S

Page 2

---

## U.S. PATENT DOCUMENTS

3,357,705 A	12/1967	Blanchard	3,918,720 A	11/1975	Gordos	
3,408,074 A	10/1968	Antonious	D241,563 S	9/1976	McCord	
3,411,789 A	11/1968	Wariner	D248,050 S	5/1978	Muehl	
D217,487 S	5/1970	Blake	D252,221 S	6/1979	Mariani	
3,512,262 A	5/1970	Smyk et al.	D309,765 S	* 8/1990	Pelz	..... D21/735
3,578,332 A	5/1971	Caldwell	D309,766 S	* 8/1990	Pelz	..... D21/735
3,632,112 A	1/1972	Jacobs	D317,034 S	* 5/1991	Pelz	..... D21/735
3,708,172 A	1/1973	Rango	D317,035 S	* 5/1991	Pelz	..... D21/745
3,779,398 A	12/1973	Hunter	D324,250 S	* 2/1992	Magness	..... D21/741
D230,615 S	3/1974	Delgadillo	D354,535 S	* 1/1995	Queen	..... D21/743
3,806,129 A	4/1974	Burrows	5,685,784 A	* 11/1997	Butler	..... 473/340
3,841,640 A	10/1974	Gaulocher	D395,692 S	* 6/1998	Butler	..... D21/742
3,841,641 A	10/1974	Bennett	D461,515 S	* 8/2002	Tang et al.	..... D21/742
D233,616 S	11/1974	Verzillo	D461,860 S	* 8/2002	Tang	..... D21/742
3,884,477 A	5/1975	Bianco				

\* cited by examiner

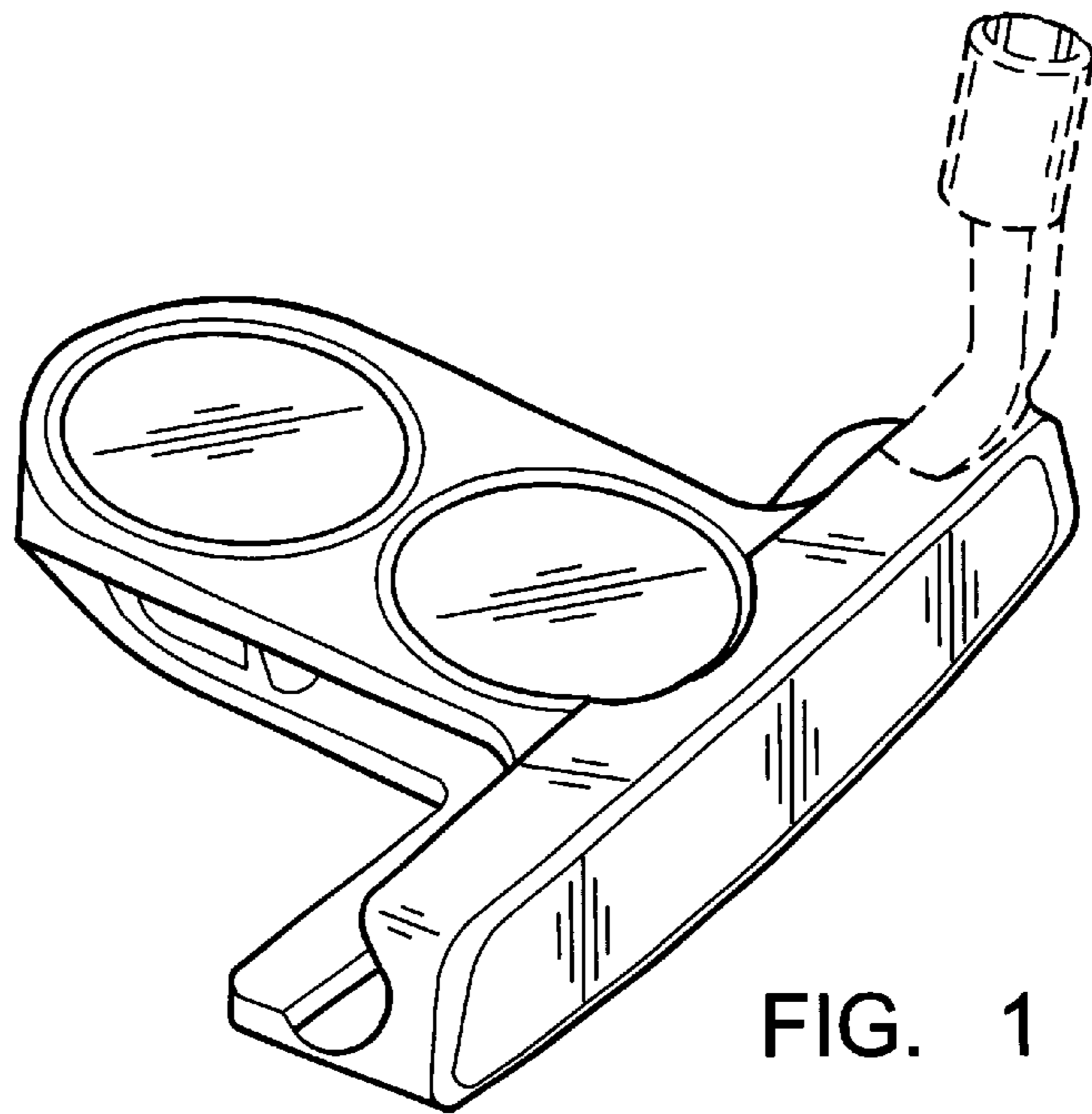


FIG. 1

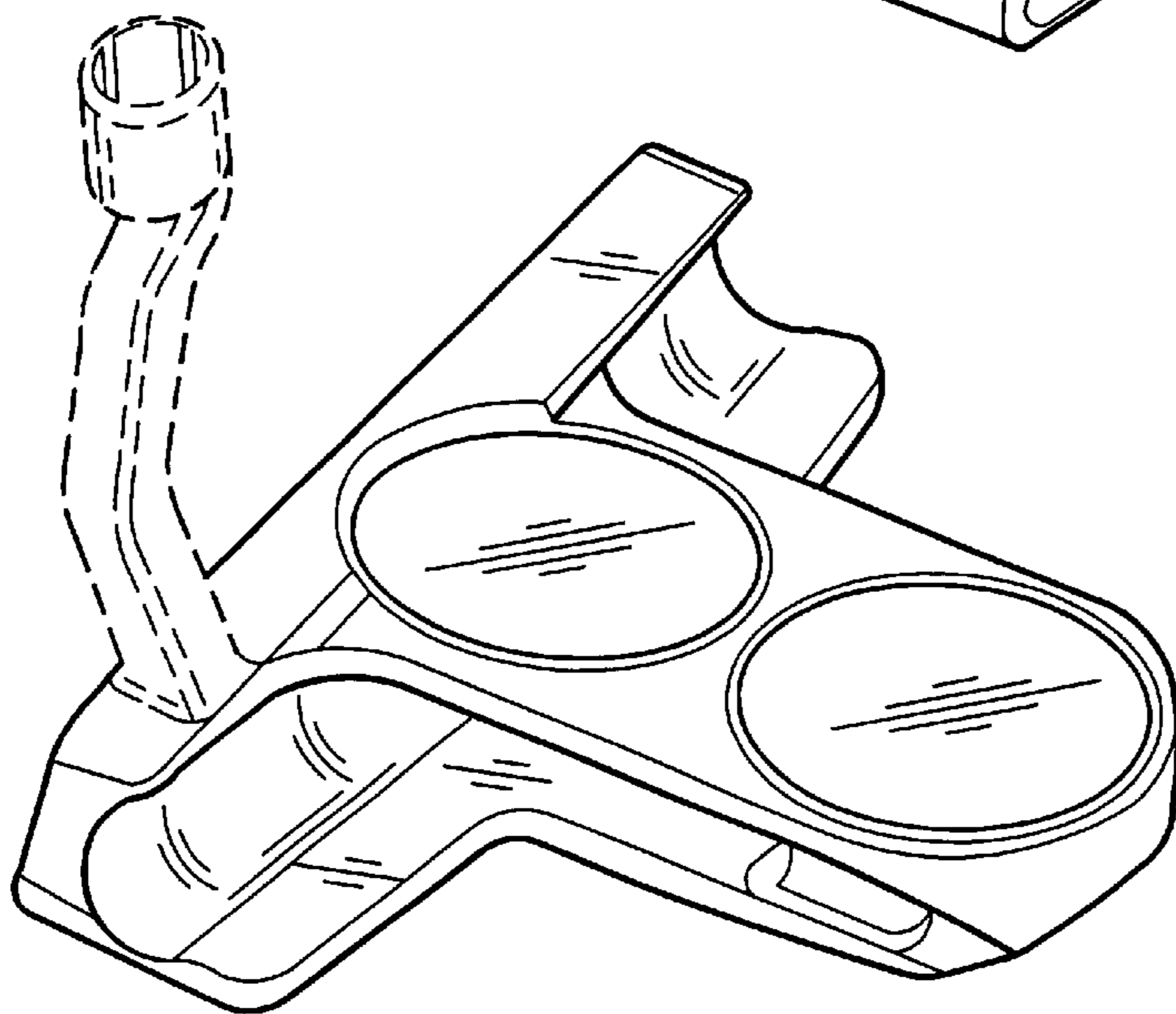


FIG. 2

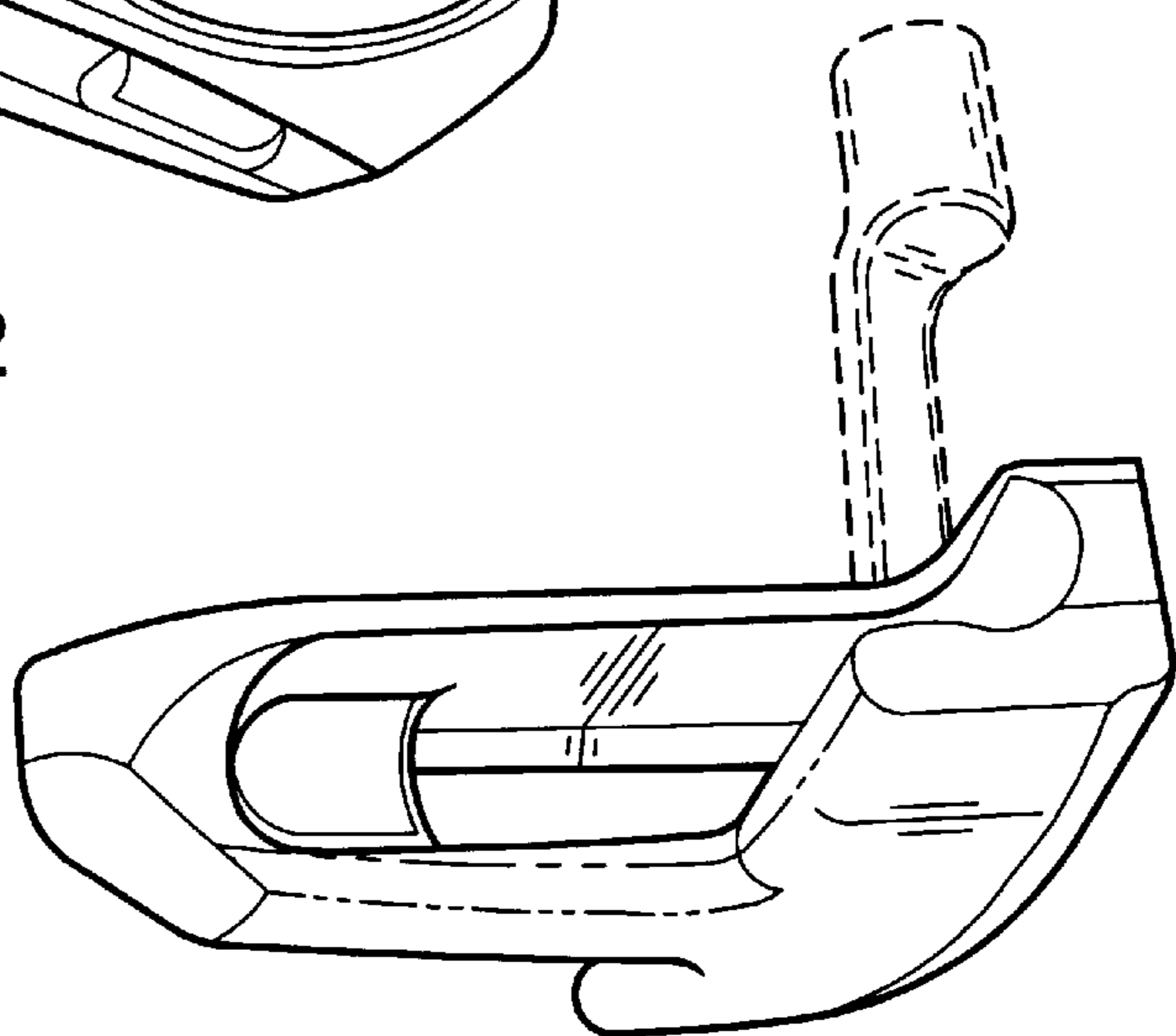


FIG. 3

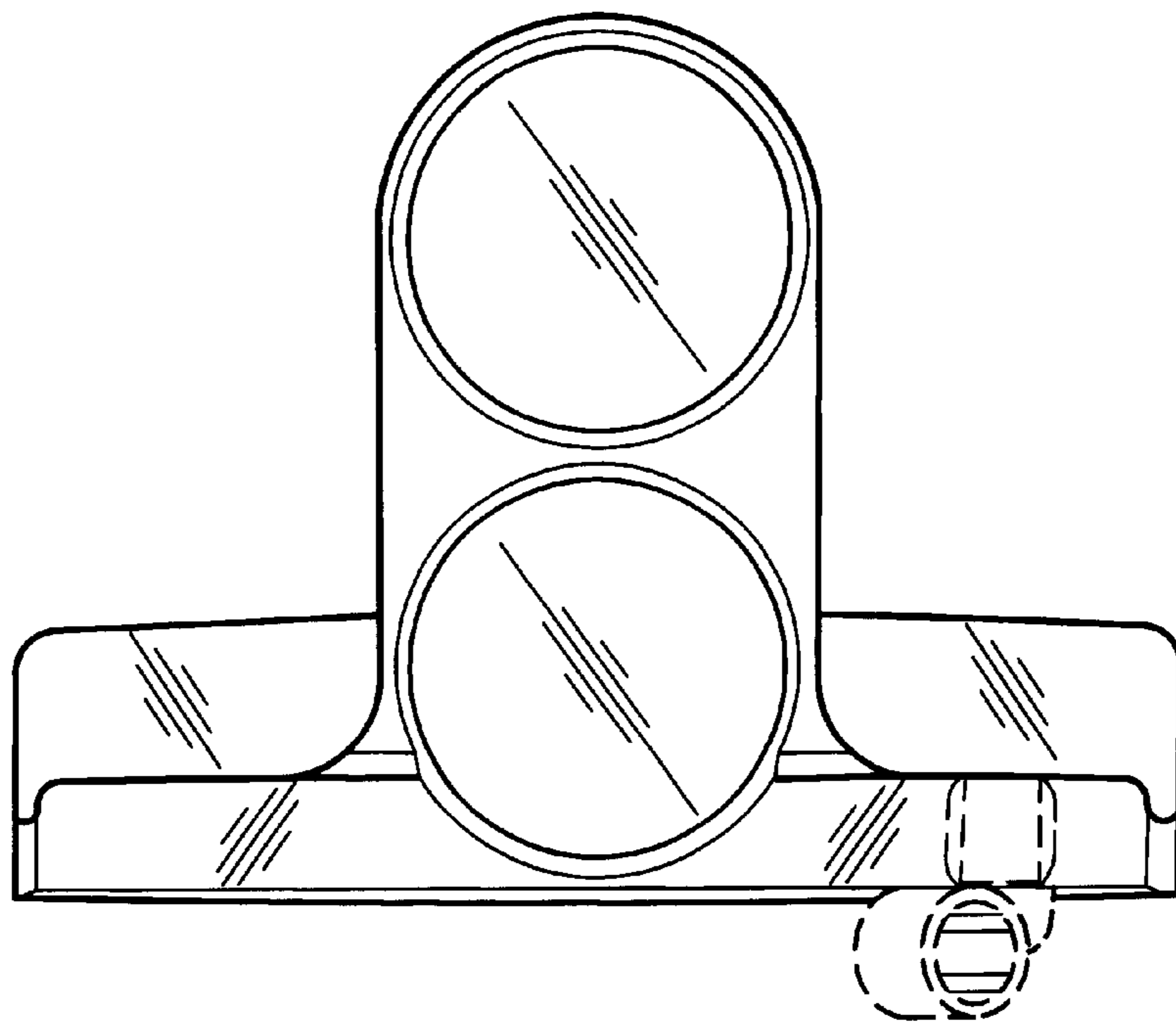


FIG. 4

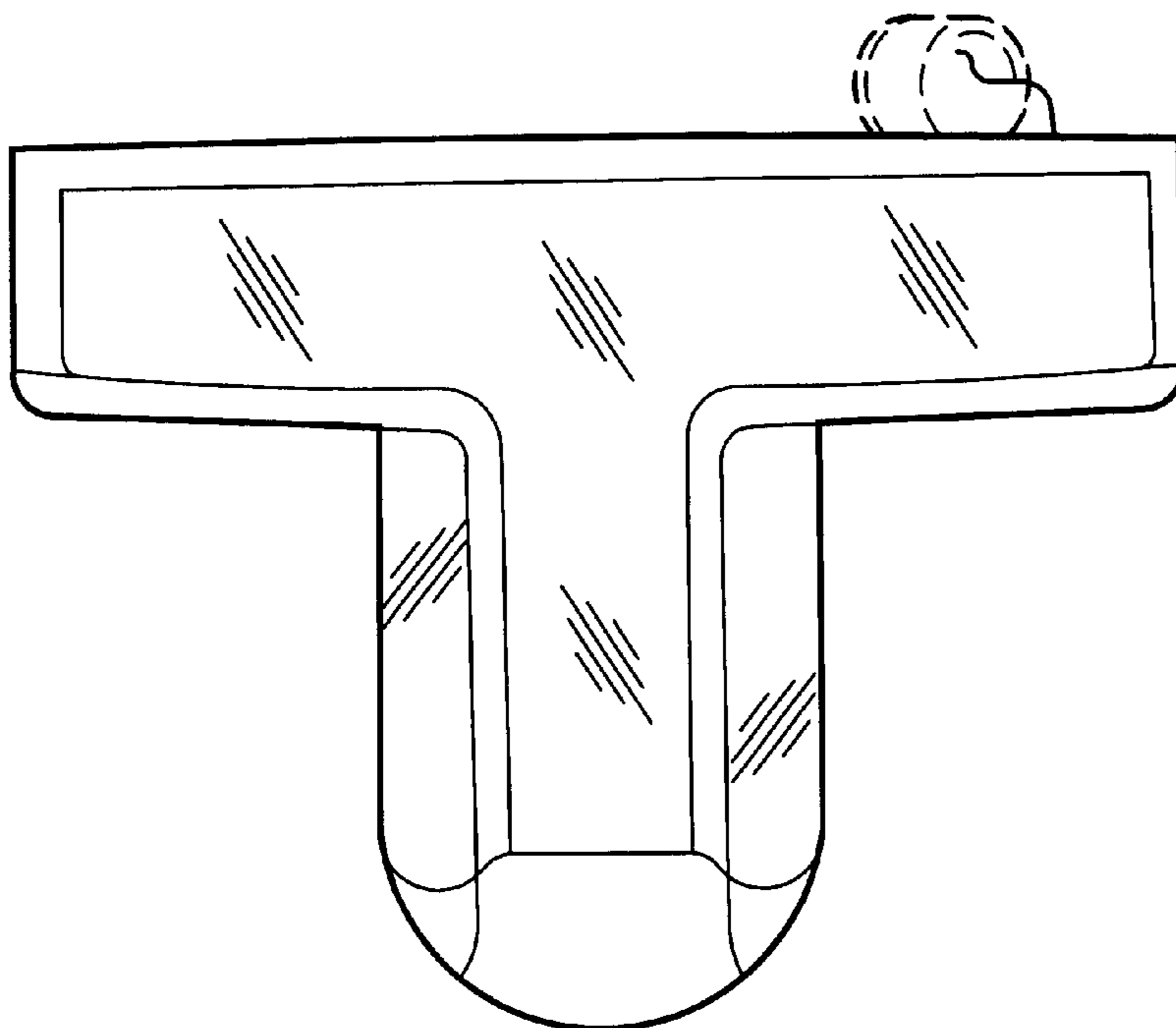


FIG. 5

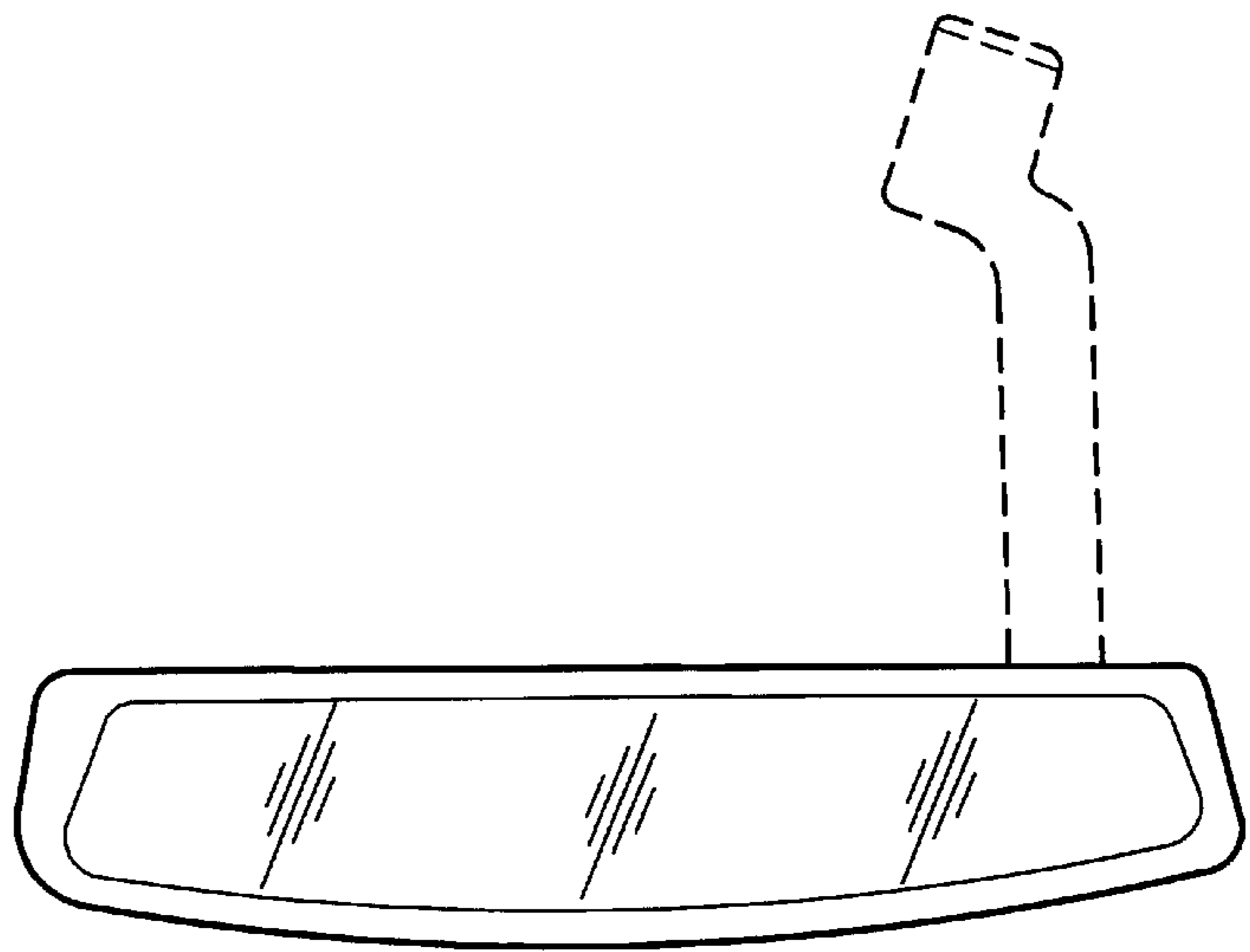


FIG. 6

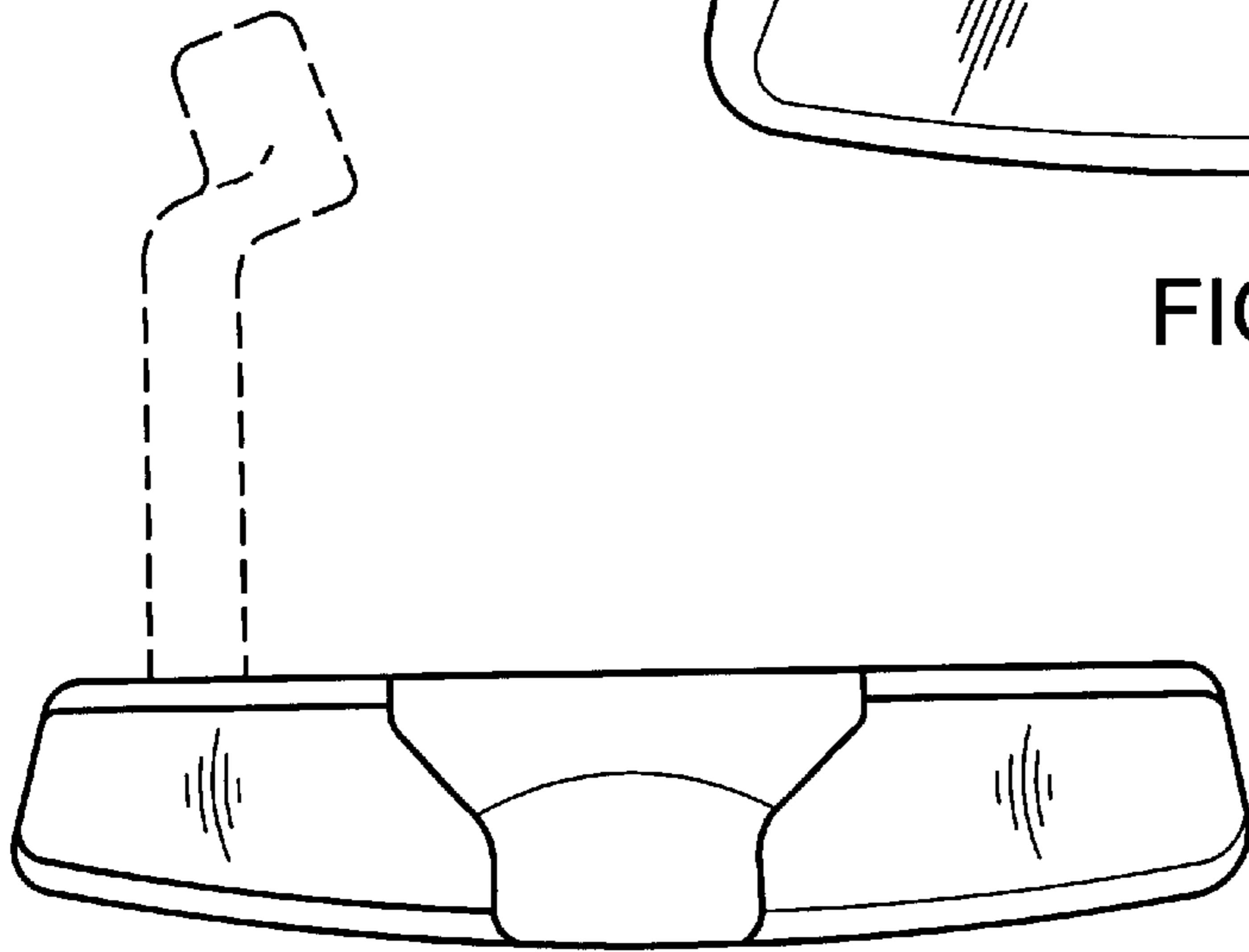


FIG. 7

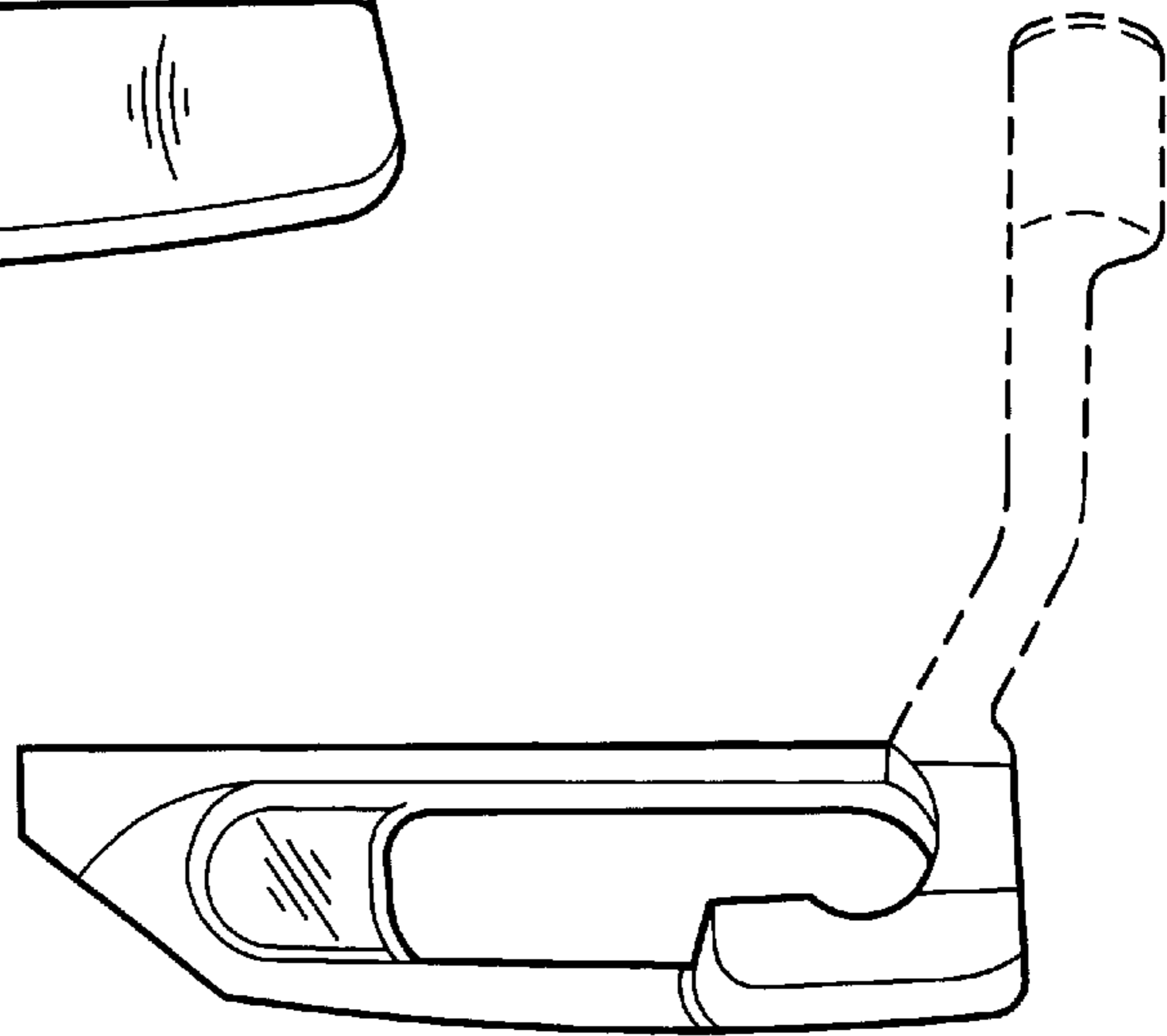


FIG. 9

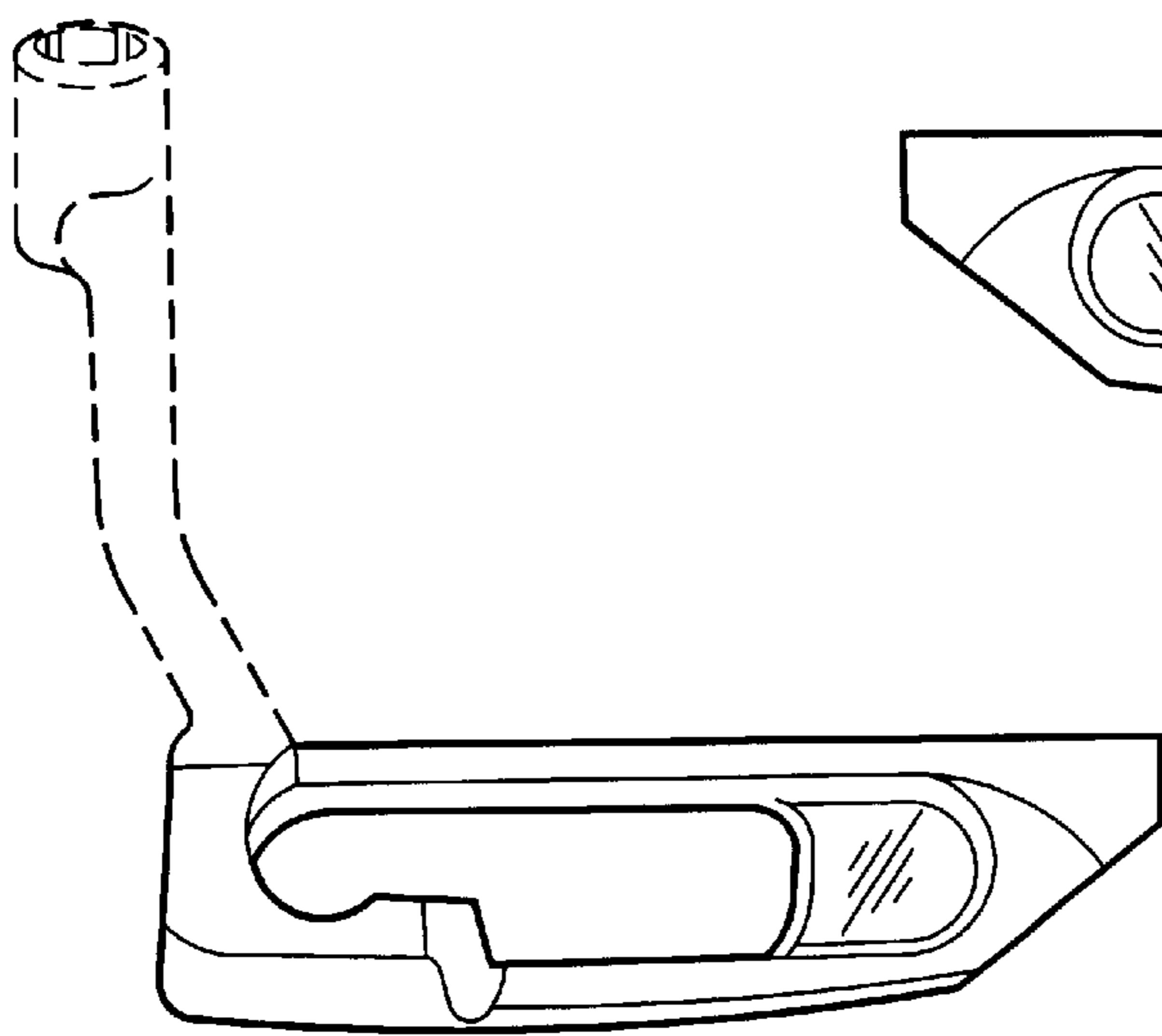


FIG. 8