



US00D472594S

(12) **United States Design Patent**
Tang et al.

(10) **Patent No.: US D472,594 S**

(45) **Date of Patent: ** Apr. 1, 2003**

(54) **PUTTER HEAD**

(75) Inventors: **Larry G. Tang**, Carlsbad, CA (US);
Augustin W. Rollinson, Carlsbad, CA
(US); **Roger Cleveland**, Los Angeles,
CA (US); **Richard C. Helmstetter**,
Rancho Santa Fe, CA (US)

(73) Assignee: **Callaway Golf Company**, Carlsbad,
CA (US)

(**) Term: **14 Years**

(21) Appl. No.: **29/160,399**

(22) Filed: **May 8, 2002**

- 2,156,025 A 4/1939 Paul
- 2,447,967 A 8/1948 Stone
- 2,478,468 A 8/1949 Drake
- 2,708,579 A 5/1955 Hugman
- D179,002 S 10/1956 Hoffmeister
- D179,246 S 11/1956 Gillon
- 2,781,197 A 2/1957 Wiley
- 2,838,312 A 6/1958 Drake
- 2,957,696 A 10/1960 Warpotas
- 3,021,141 A 2/1962 Polsky et al.
- 3,064,975 A 11/1962 Smith
- D200,585 S 3/1965 Cefaly
- 3,194,564 A 7/1965 Swan
- 3,220,733 A 11/1965 Saleeby
- 3,300,241 A 1/1967 Eberwein et al.
- 3,310,879 A 3/1967 Brzezinski et al.

(List continued on next page.)

Related U.S. Application Data

(63) Continuation-in-part of application No. 29/147,888, filed on
Sep. 7, 2001, now Pat. No. Des. 458,656.

(51) **LOC (7) Cl. 21-02**

(52) **U.S. Cl. D21/735**

(58) **Field of Search D21/735-746;**
473/251-256, 324, 340, 341

(56) **References Cited**

U.S. PATENT DOCUMENTS

- 1,485,272 A 2/1924 Kinsman
- 1,526,951 A 2/1925 Beaumont
- 1,546,612 A 7/1925 Barnes
- 1,569,295 A 1/1926 Munson
- 1,652,404 A 12/1927 Graveure
- 1,654,916 A 1/1928 Boyce
- 1,666,174 A 4/1928 Holland
- 1,703,199 A 2/1929 McClure
- D85,510 S 11/1931 Beach
- D90,924 S 10/1933 Replogle
- 1,960,110 A 5/1934 Iles
- 2,002,631 A 5/1935 Fiondella
- D95,819 S 6/1935 Gourlay
- 2,056,335 A 10/1936 Wettlaufer
- 2,057,821 A 10/1936 Costello
- D104,495 S 5/1937 Gallagher

OTHER PUBLICATIONS

Advertisement page from Japanese Magazine.

Primary Examiner—Mitchell Siegel

(74) *Attorney, Agent, or Firm*—Michael A. Catania

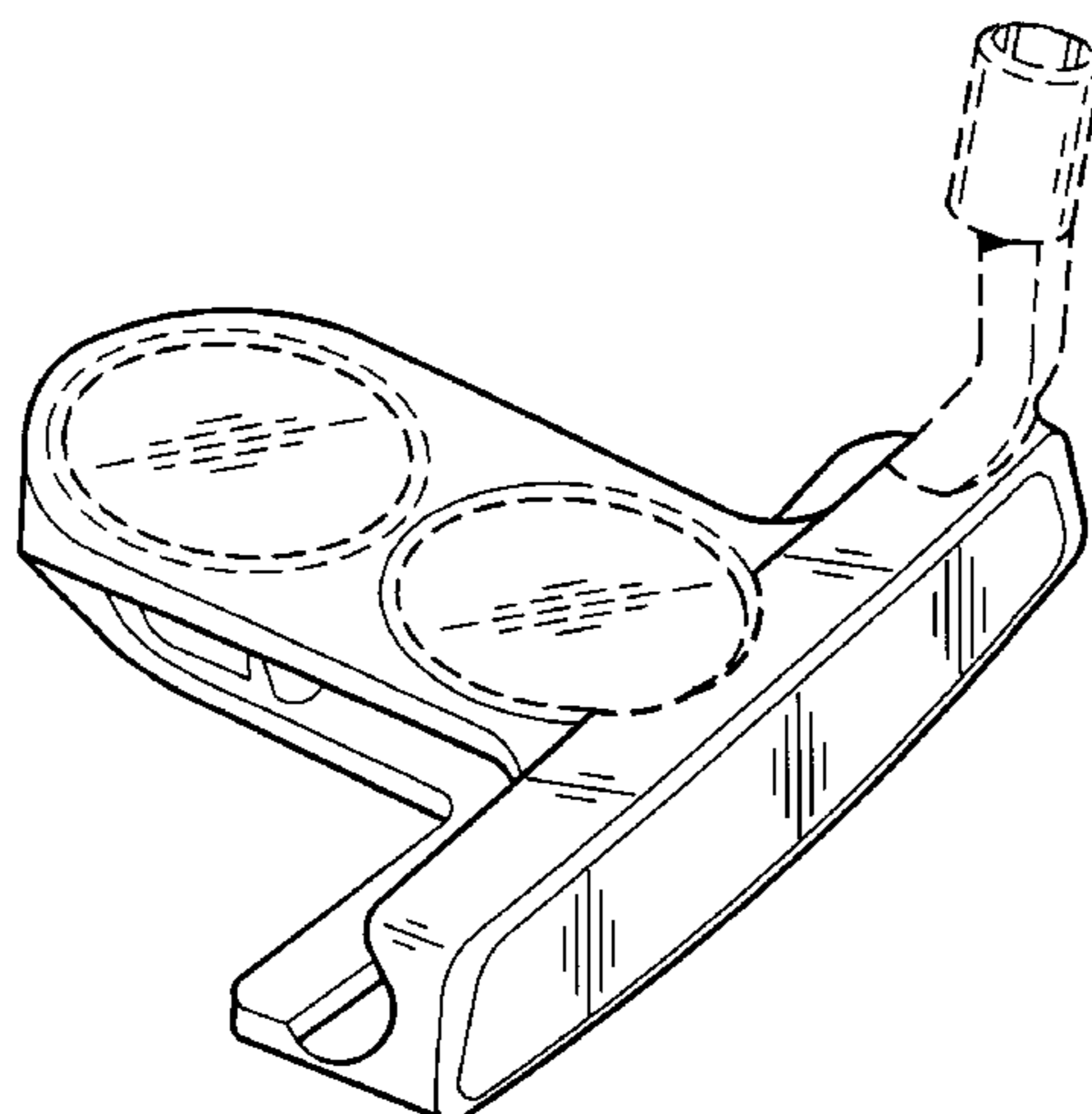
(57) **CLAIM**

The ornamental design for a putter head, as shown and
described.

DESCRIPTION

FIG. 1 is a perspective view from the top toe of the putter head as herein disclosed;
 FIG. 2 is a perspective view from the top heel thereof;
 FIG. 3 is a perspective view from the bottom thereof;
 FIG. 4 is a top plan view thereof;
 FIG. 5 is a bottom plan view thereof;
 FIG. 6 is a front plan view thereof;
 FIG. 7 is a back plan view thereof;
 FIG. 8 is a heel side view thereof; and,
 FIG. 9 is a toe side view thereof.
 The broken line showing is for illustrative purposes only and forms no part of the claimed design.

1 Claim, 3 Drawing Sheets



US D472,594 S

Page 2

U.S. PATENT DOCUMENTS

3,328,032 A	6/1967	Griswold	D233,616 S	11/1974	Verzillo	
3,333,854 A	8/1967	White	3,884,477 A	5/1975	Bianco	
3,343,839 A	9/1967	Borah	3,918,720 A	11/1975	Gordos	
D209,294 S	11/1967	Hitt	D241,563 S	9/1976	McCord	
3,357,705 A	12/1967	Blanchard	D248,050 S	5/1978	Muehl	
3,408,074 A	10/1968	Antonious	D252,221 S	6/1979	Mariani	
3,411,789 A	11/1968	Wariner	D309,765 S	* 8/1990	Pelz D21/735
D217,487 S	5/1970	Blake	D309,766 S	* 8/1990	Pelz D21/735
3,512,262 A	5/1970	Smyk et al.	D317,034 S	* 5/1991	Pelz D21/735
3,578,332 A	5/1971	Caldwell	D317,035 S	* 5/1991	Pelz D21/745
3,632,112 A	1/1972	Jacobs	D324,250 S	* 2/1992	Magness D21/741
3,708,172 A	1/1973	Rango	D354,535 S	* 1/1995	Queen D21/743
3,779,398 A	12/1973	Hunter	5,685,784 A	* 11/1997	Butler 473/340
D230,615 S	3/1974	Delgadillo	D395,692 S	* 6/1998	Butler D21/742
3,806,129 A	4/1974	Burrows	D461,515 S	* 8/2002	Tang et al. D21/742
3,841,640 A	10/1974	Gaulocher	D461,860 S	* 8/2002	Tang D21/742
3,841,641 A	10/1974	Bennett				

* cited by examiner

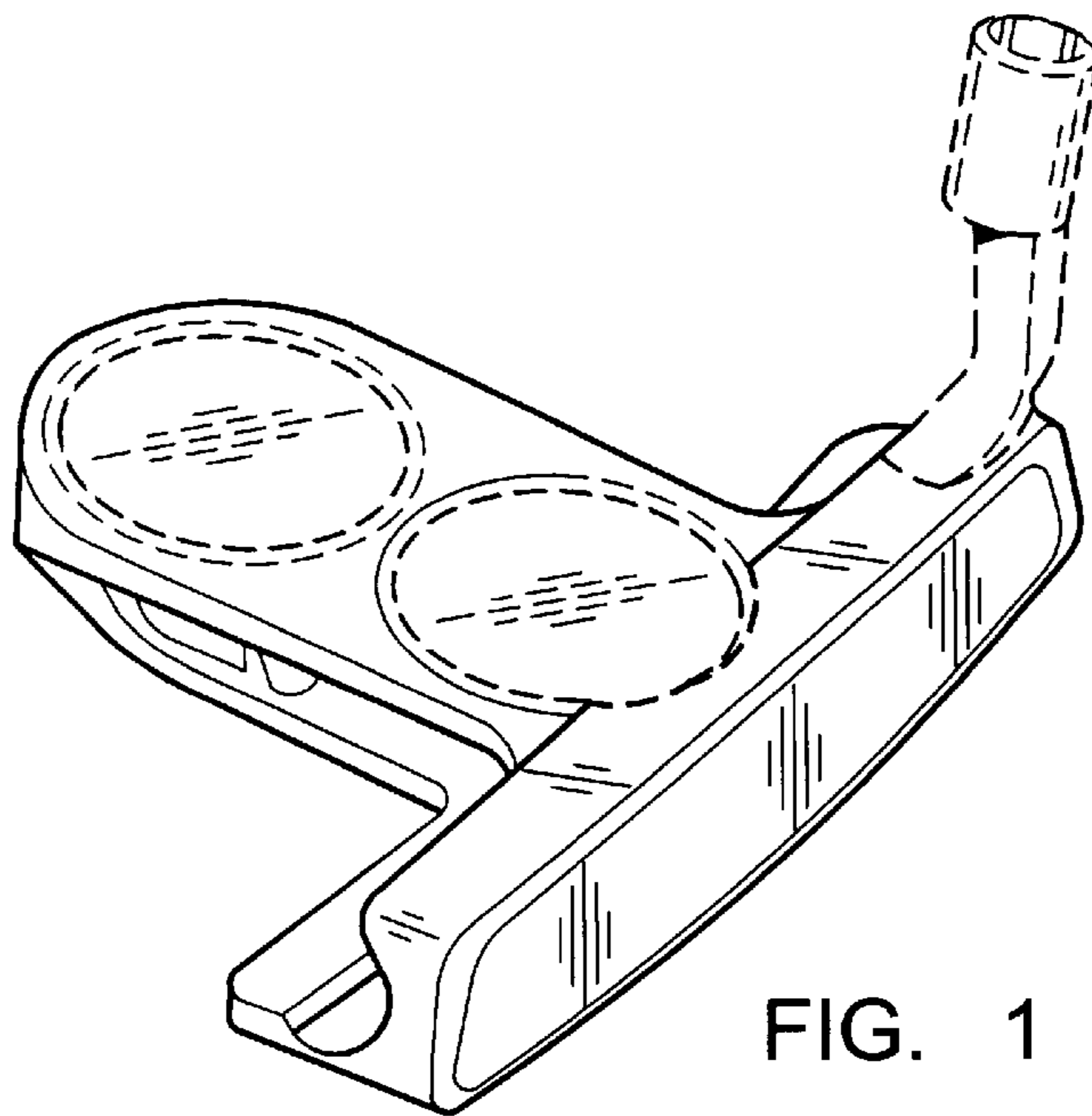


FIG. 1

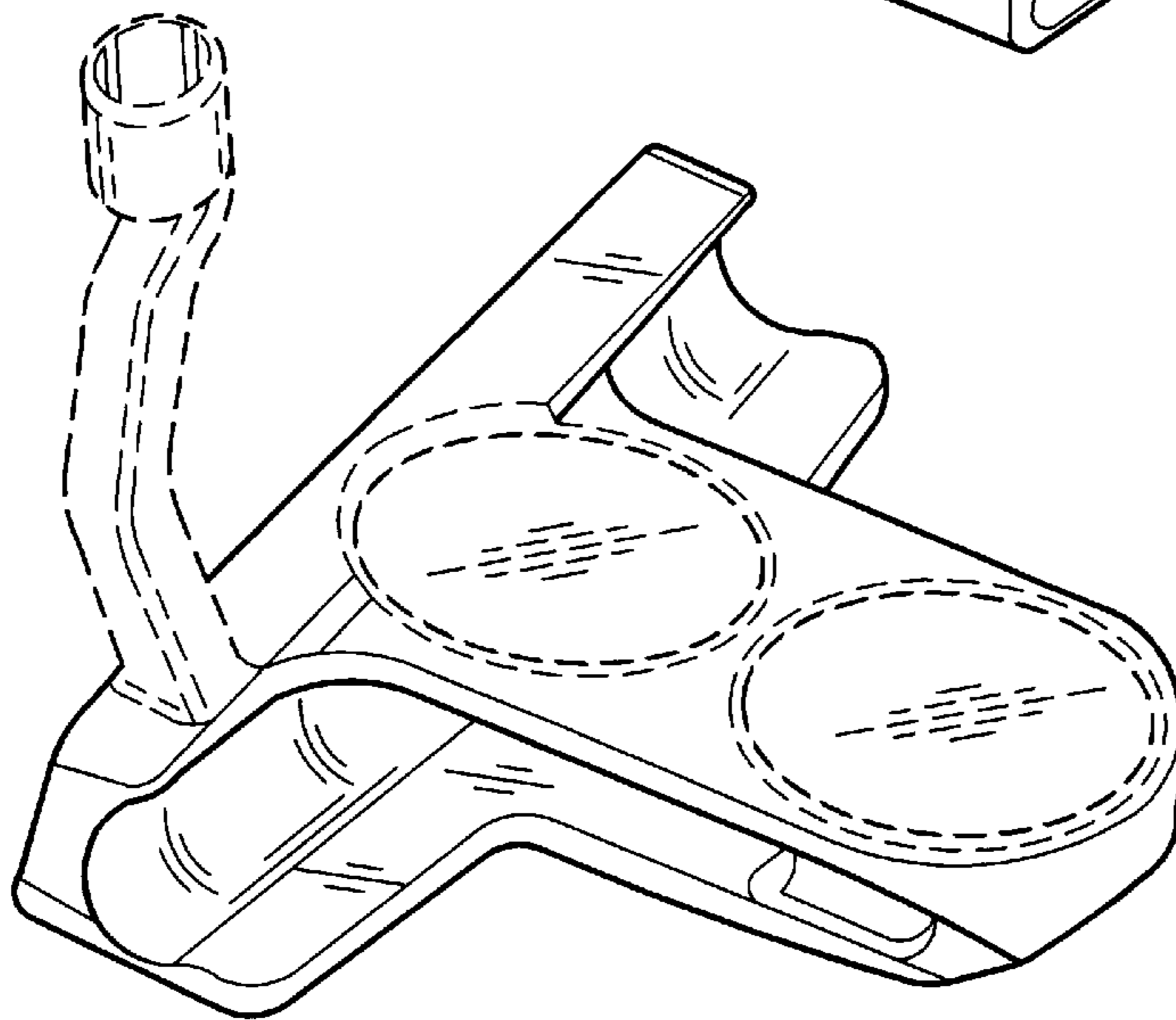


FIG. 2

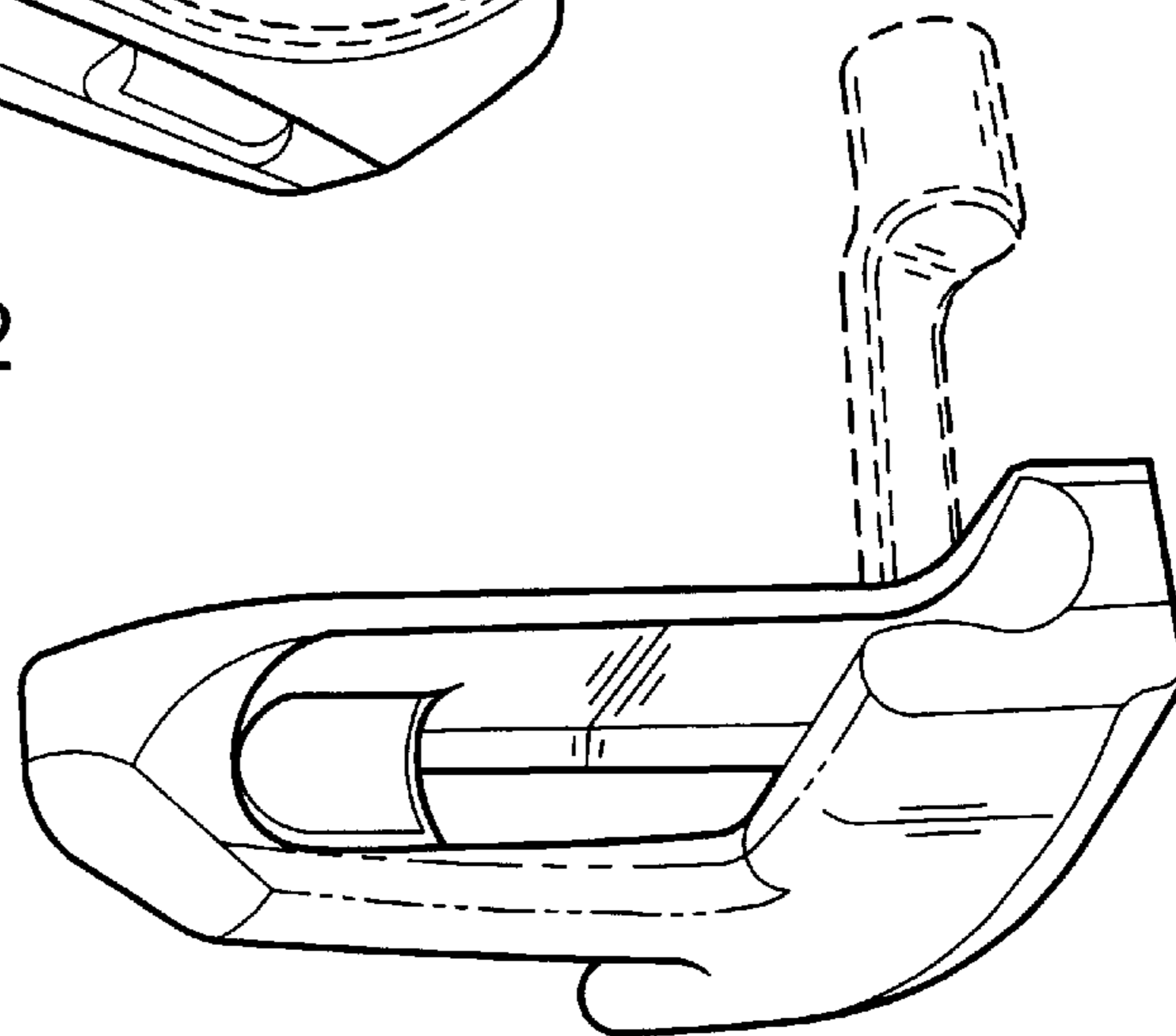


FIG. 3

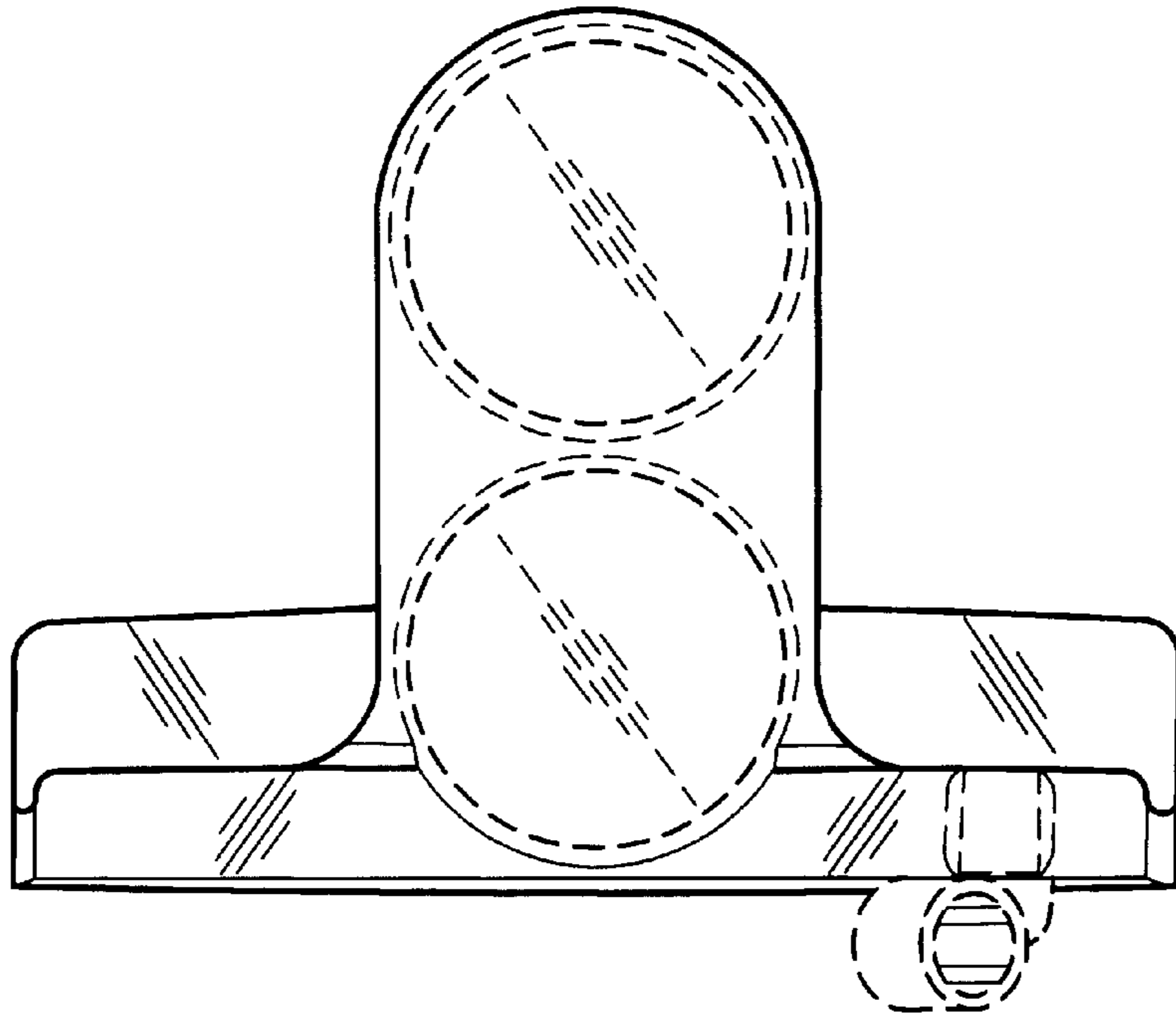


FIG. 4

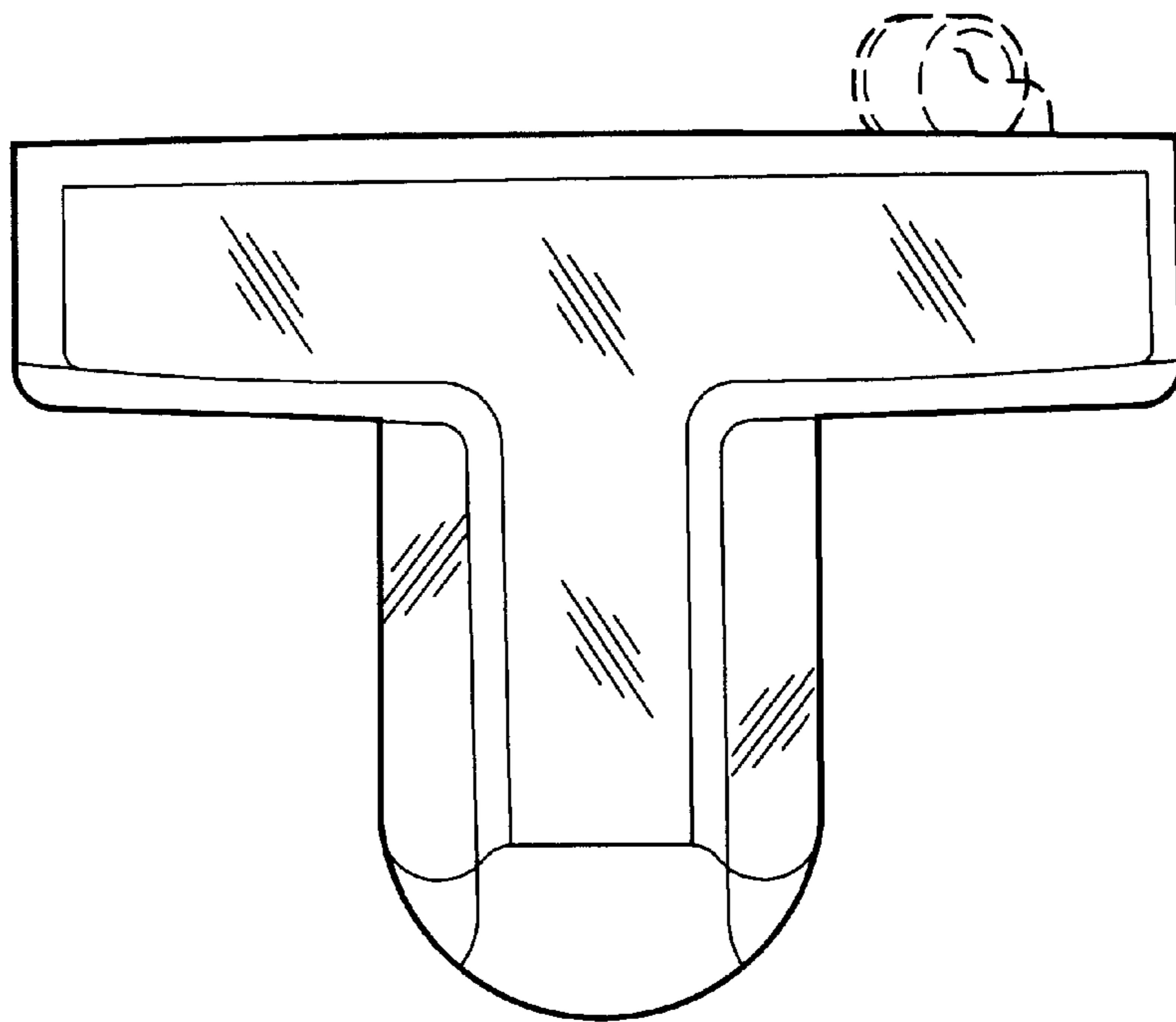


FIG. 5

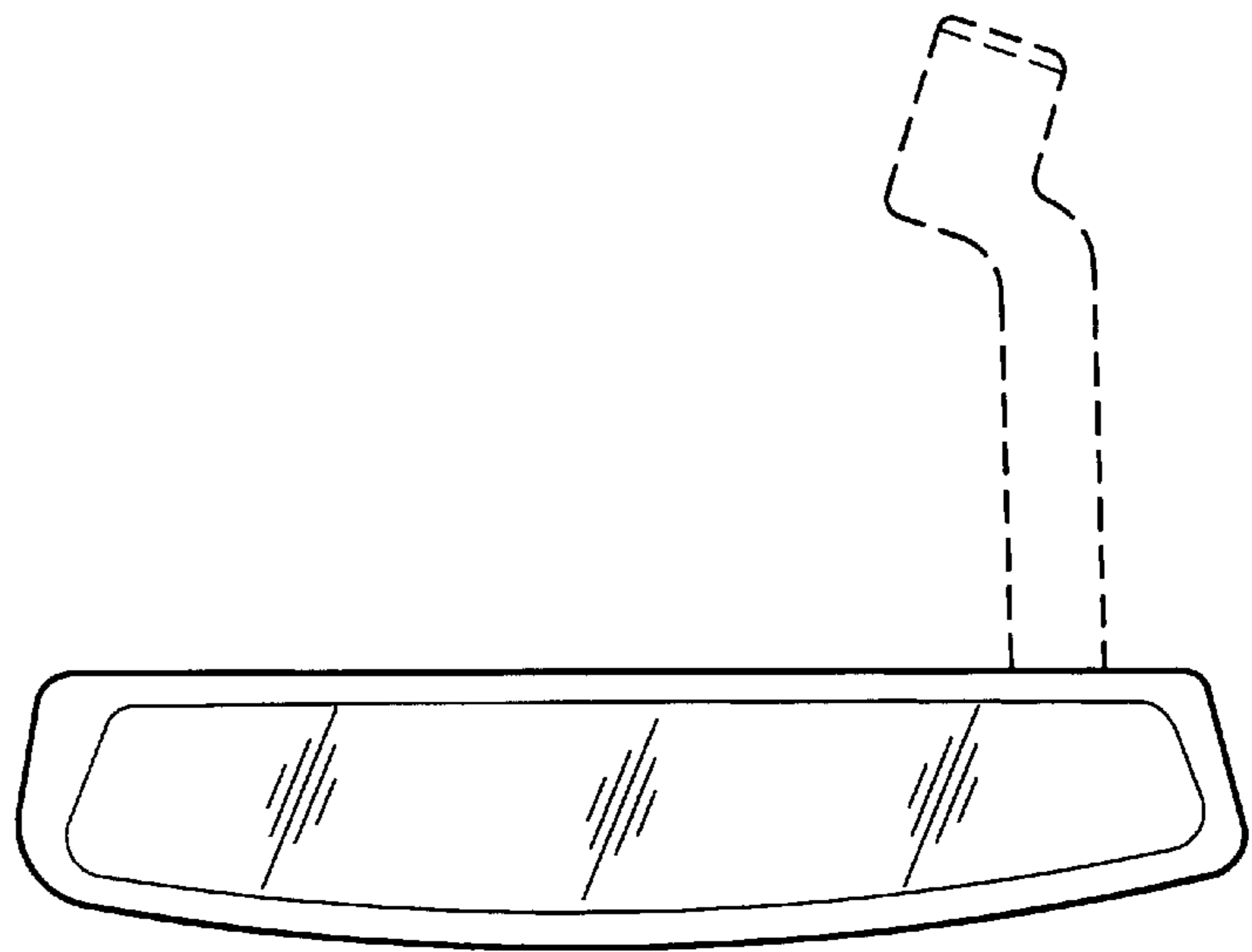


FIG. 6

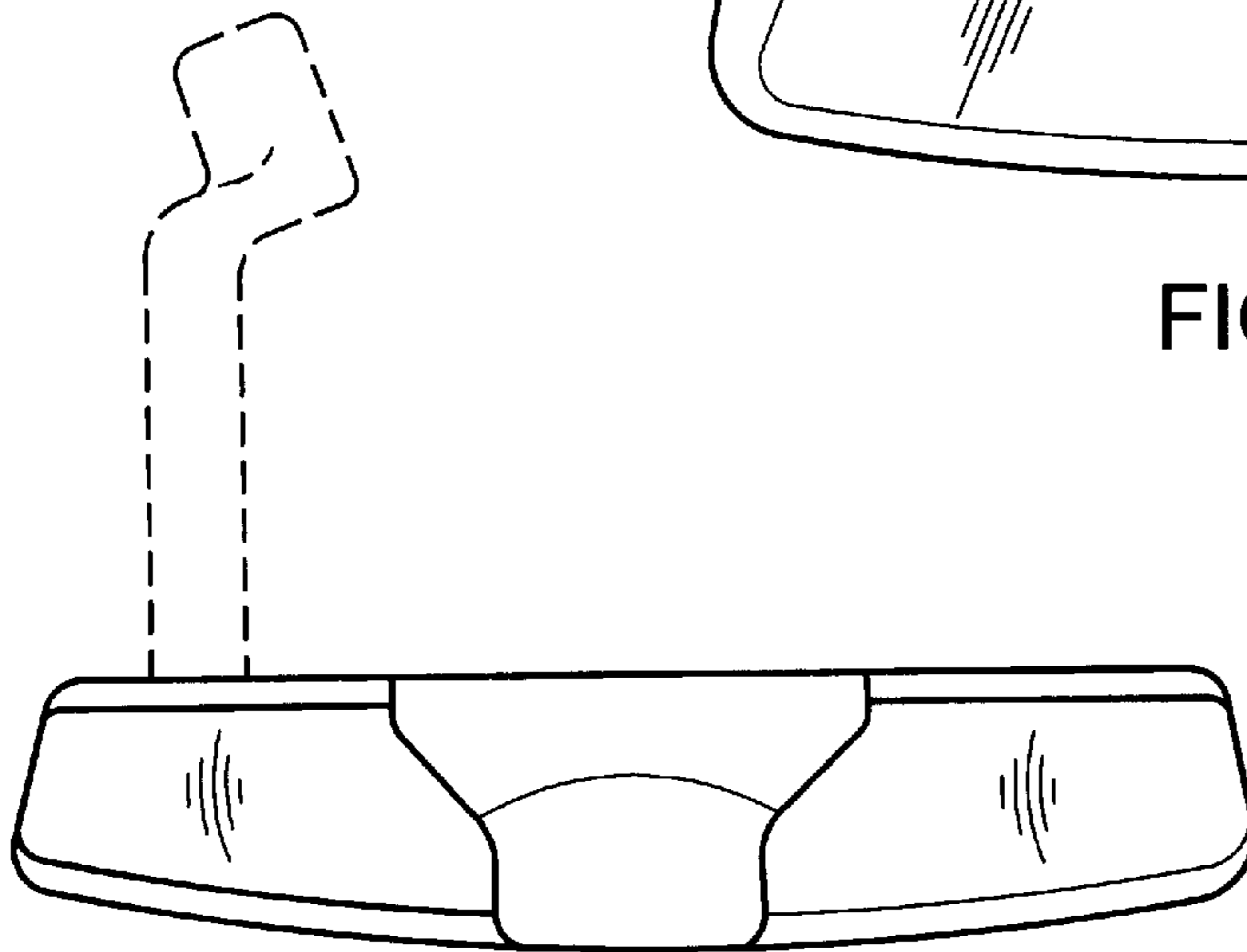


FIG. 7

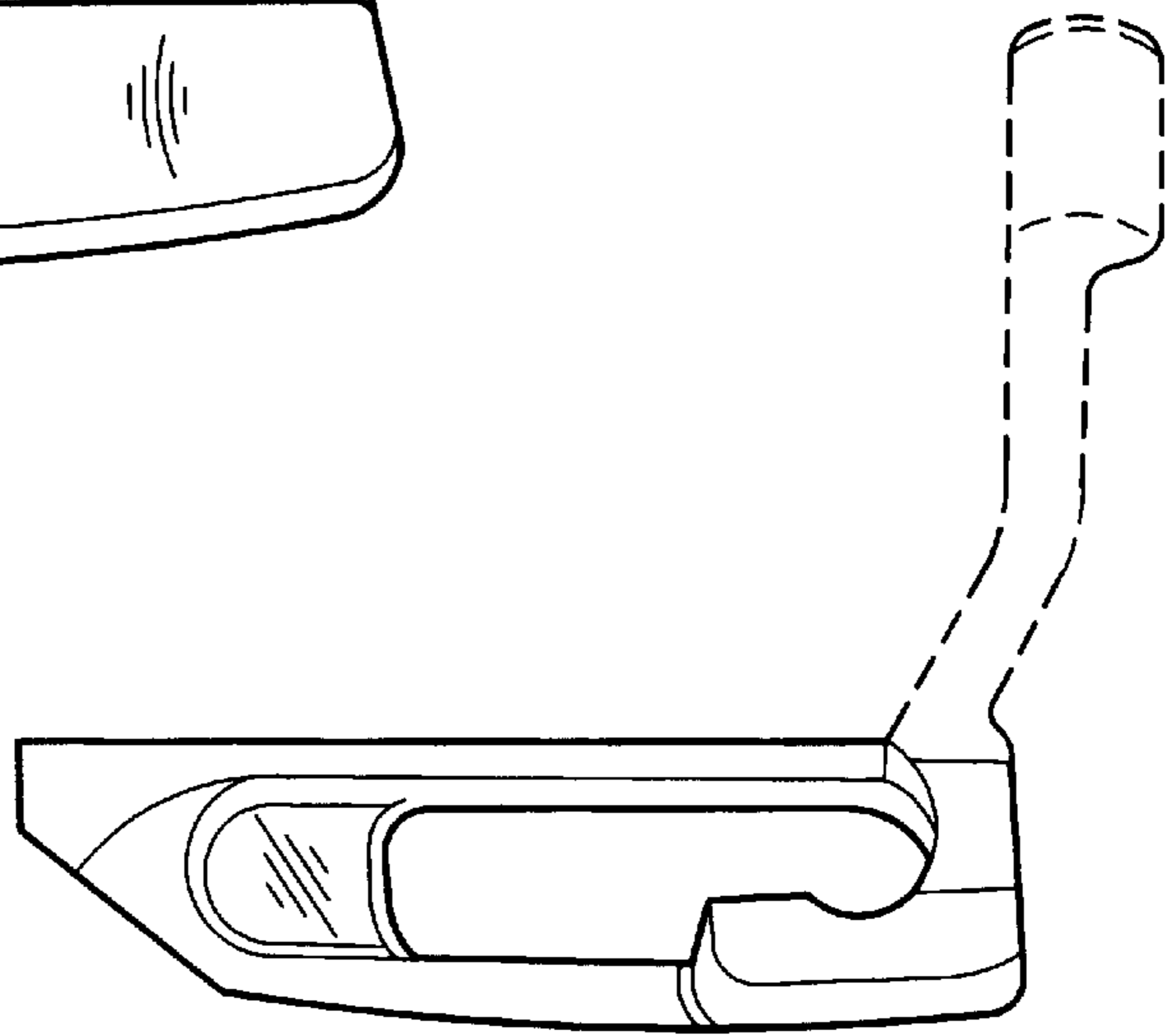


FIG. 9

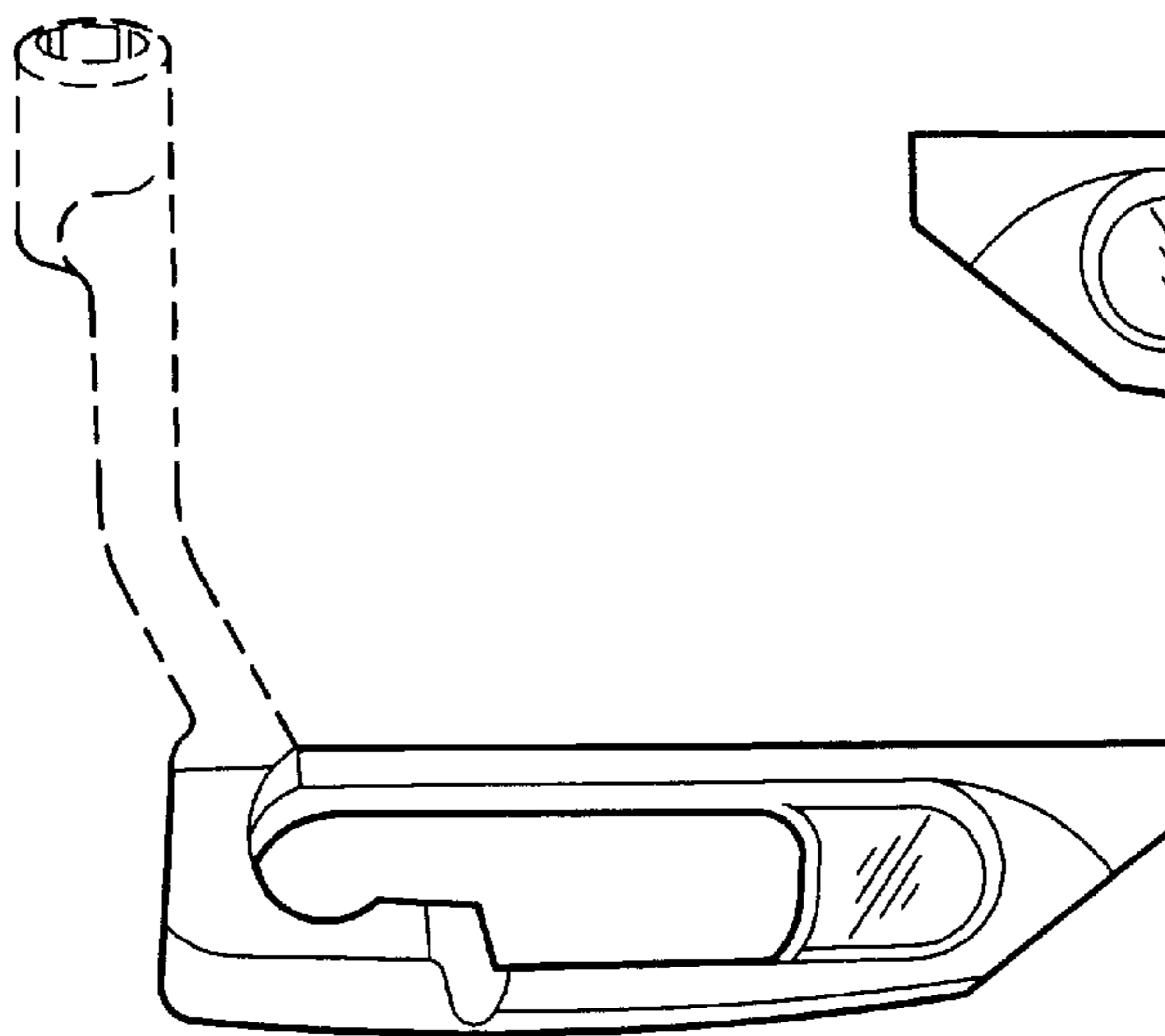


FIG. 8