



US00D472590S

(12) **United States Design Patent**
Jupp

(10) **Patent No.:** **US D472,590 S**

(45) **Date of Patent:** **** Apr. 1, 2003**

(54) **TOY VACUUM CLEANER**

(75) **Inventor:** **Simeon Charles Jupp**, Broughton
Gifford (GB)

(73) **Assignee:** **Notetry Limited**, Little Somerford
(GB)

(**) **Term:** **14 Years**

(21) **Appl. No.:** **29/108,213**

(22) **Filed:** **Jul. 22, 1999**

(30) **Foreign Application Priority Data**

Jan. 22, 1999 (GB) 2080561

(51) **LOC (7) Cl.** **21-01**

(52) **U.S. Cl.** **D21/526**

(58) **Field of Search** D21/483, 523,
D21/526; D32/21, 23, 24; 446/450, 479,
474, 411, 483; 15/347, 400, 323

(56) **References Cited**

U.S. PATENT DOCUMENTS

D315,756 S * 3/1991 Pape D21/526
D325,407 S * 4/1992 Norton D21/526
D405,568 S * 2/1999 Mehaffey D32/23
5,919,078 A * 7/1999 Cassidy 446/479

6,145,160 A * 11/2000 Buss et al. 15/323

D443,739 S * 6/2001 Young D32/23

D451,252 S * 11/2001 Ikeno D32/24

* cited by examiner

Primary Examiner—Raphael Barkai

(74) *Attorney, Agent, or Firm*—Morrison & Foerster LLP

(57) **CLAIM**

An ornamental design for a toy vacuum cleaner, as shown.

DESCRIPTION

FIG. 1 is a frontal view of a toy vacuum cleaner of the design according to this invention.

FIG. 2 is a rear view of a toy vacuum cleaner of the design according to this invention.

FIG. 3 is a view from one side (with hose) of a toy vacuum cleaner of the design according to this invention.

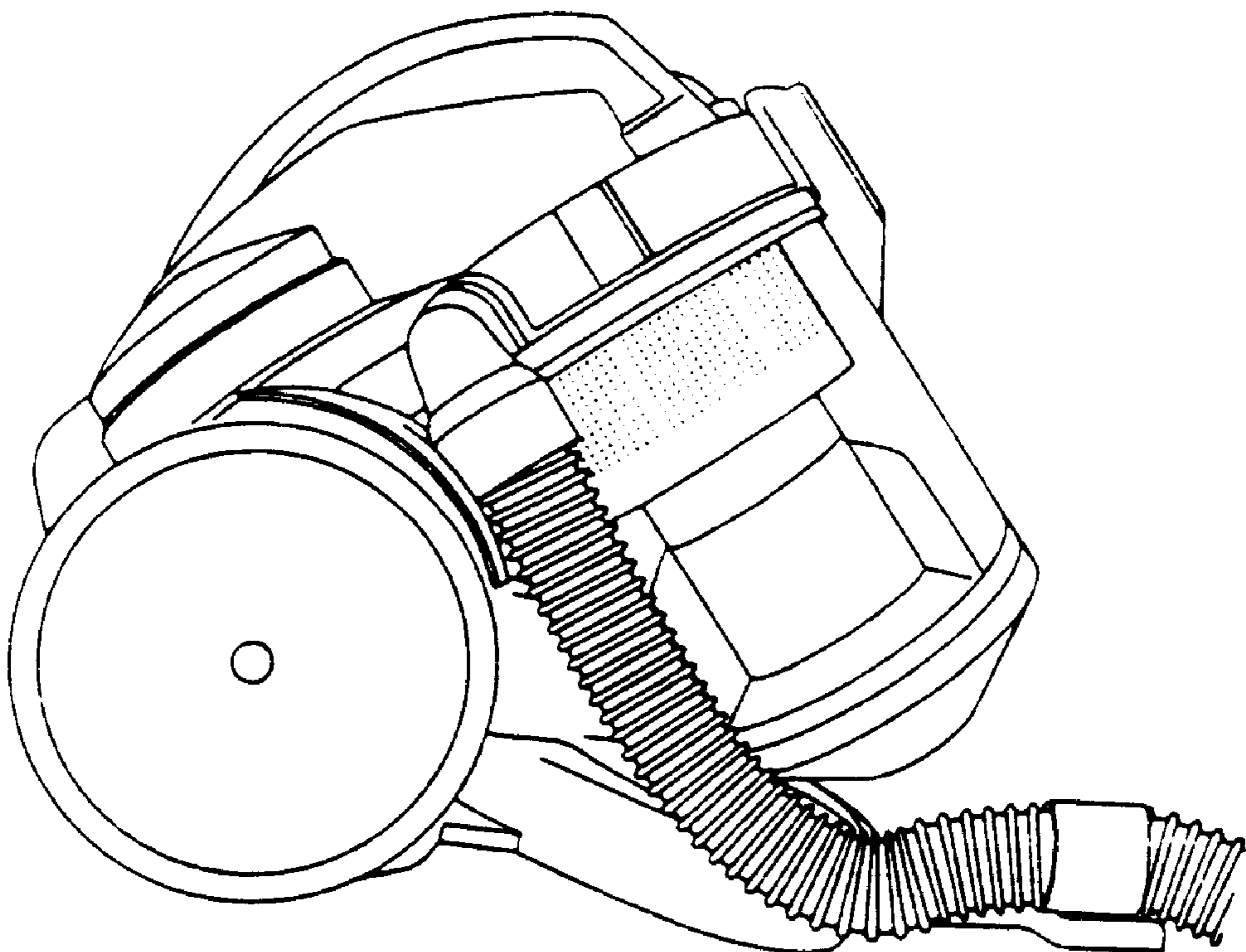
FIG. 4 is a view from other side (without hose) of a toy vacuum cleaner of the design according to this invention.

FIG. 5 is a plan view (no hose) of a toy vacuum cleaner of the design according to this invention.

FIG. 6 is a underneath view (no hose) of a toy vacuum cleaner of the design according to this invention; and,

FIG. 7 is a perspective view (with hose) of a toy vacuum cleaner of the design according to this invention.

1 Claim, 4 Drawing Sheets



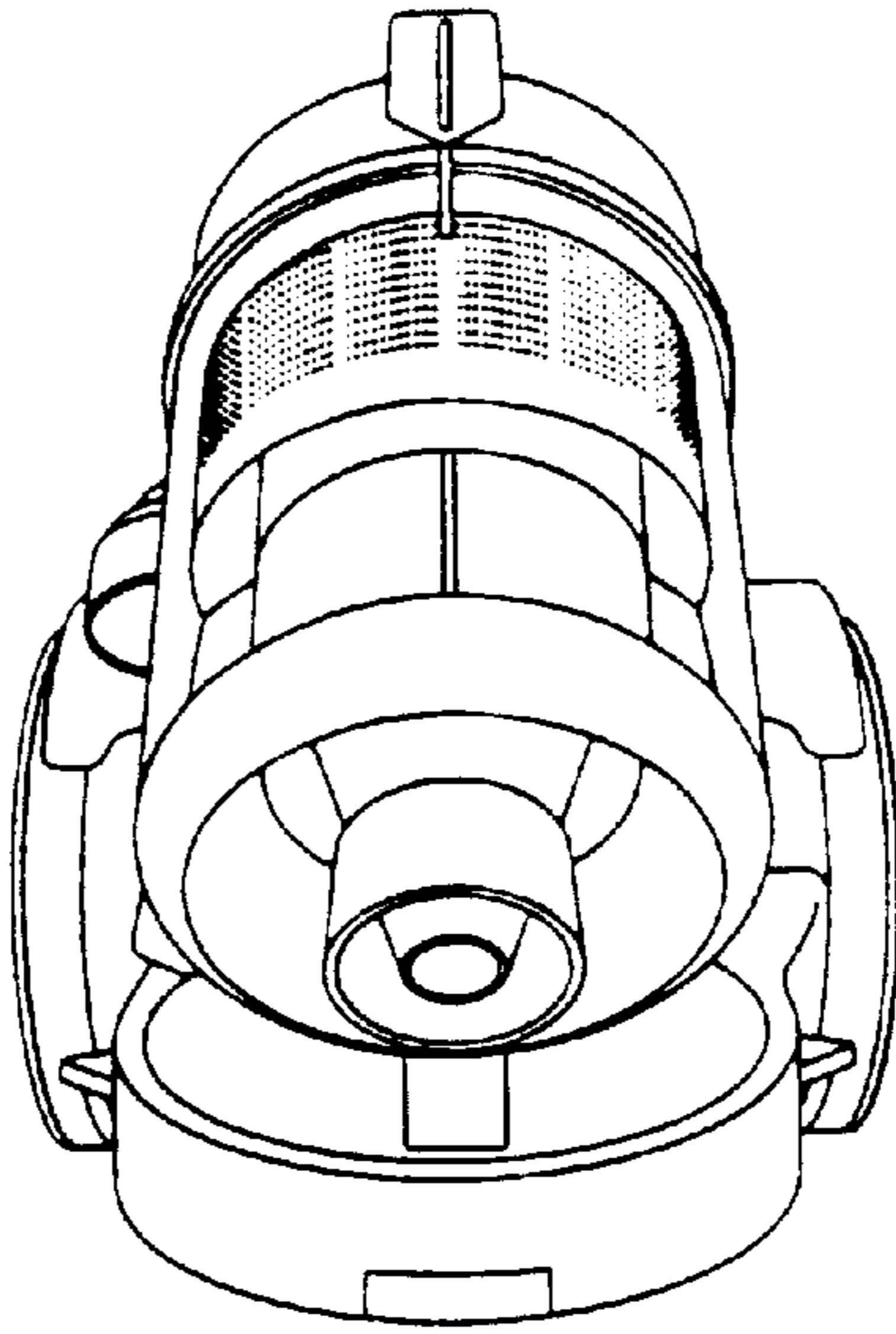


FIGURE 1

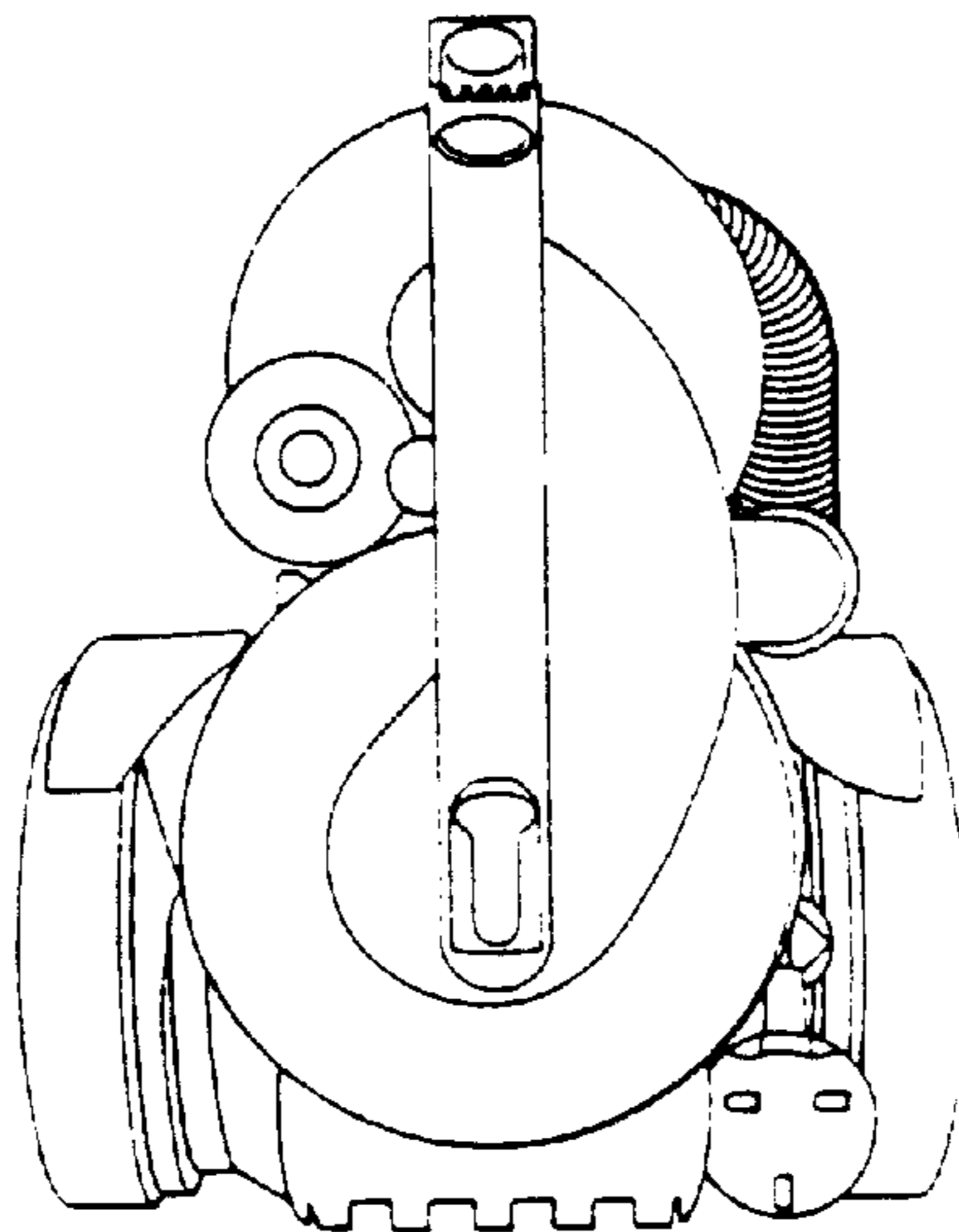


FIGURE 2

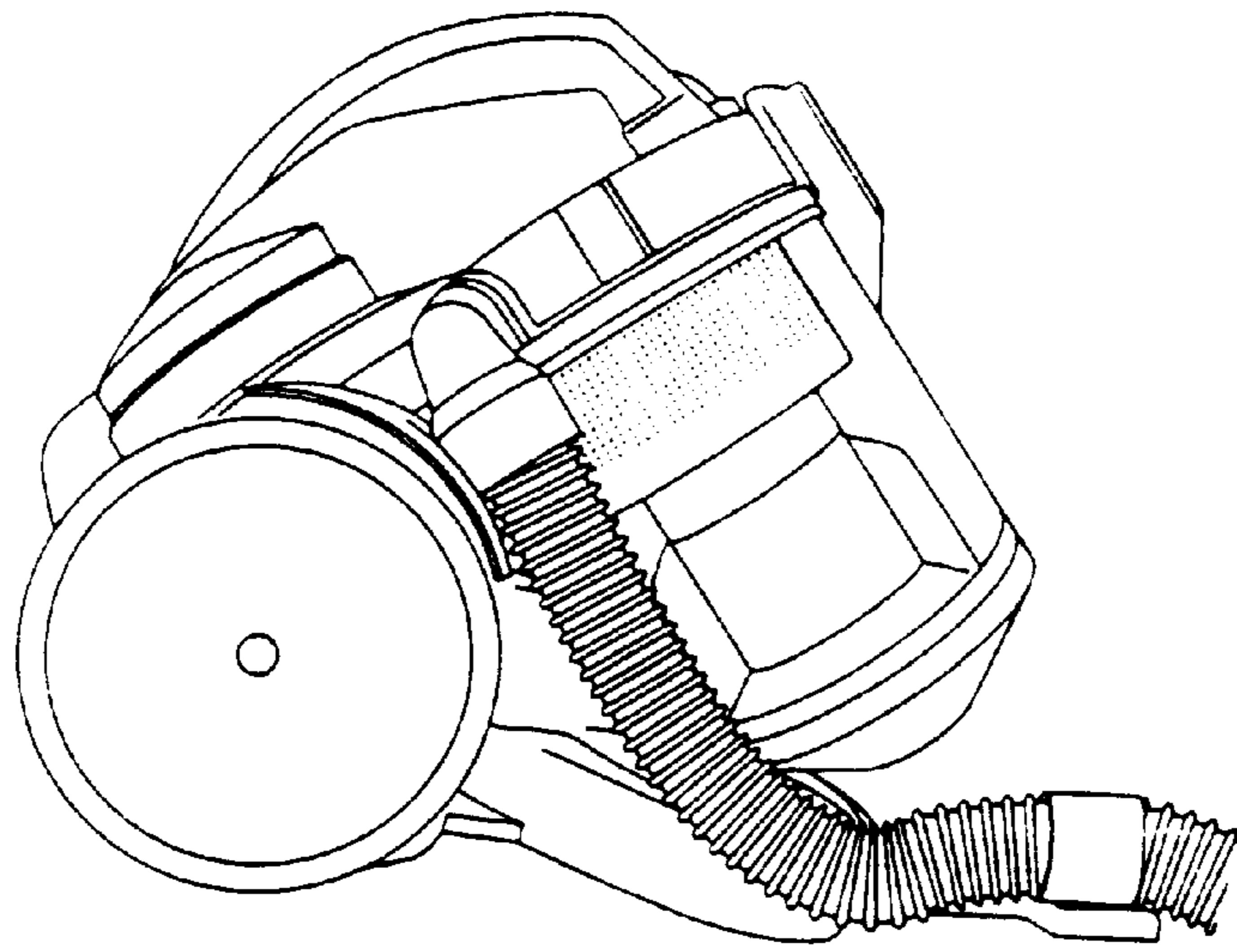


FIGURE 3

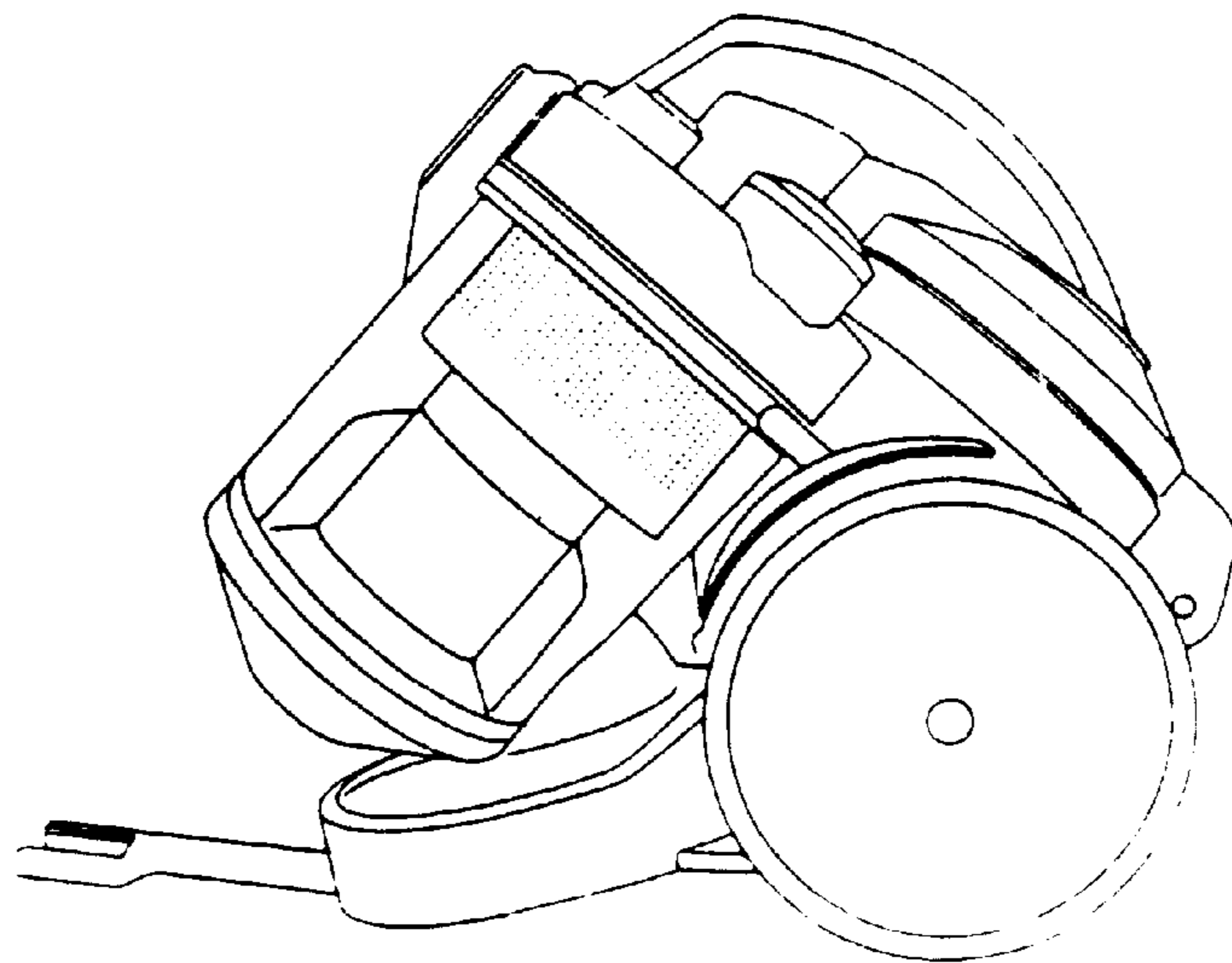


FIGURE 4

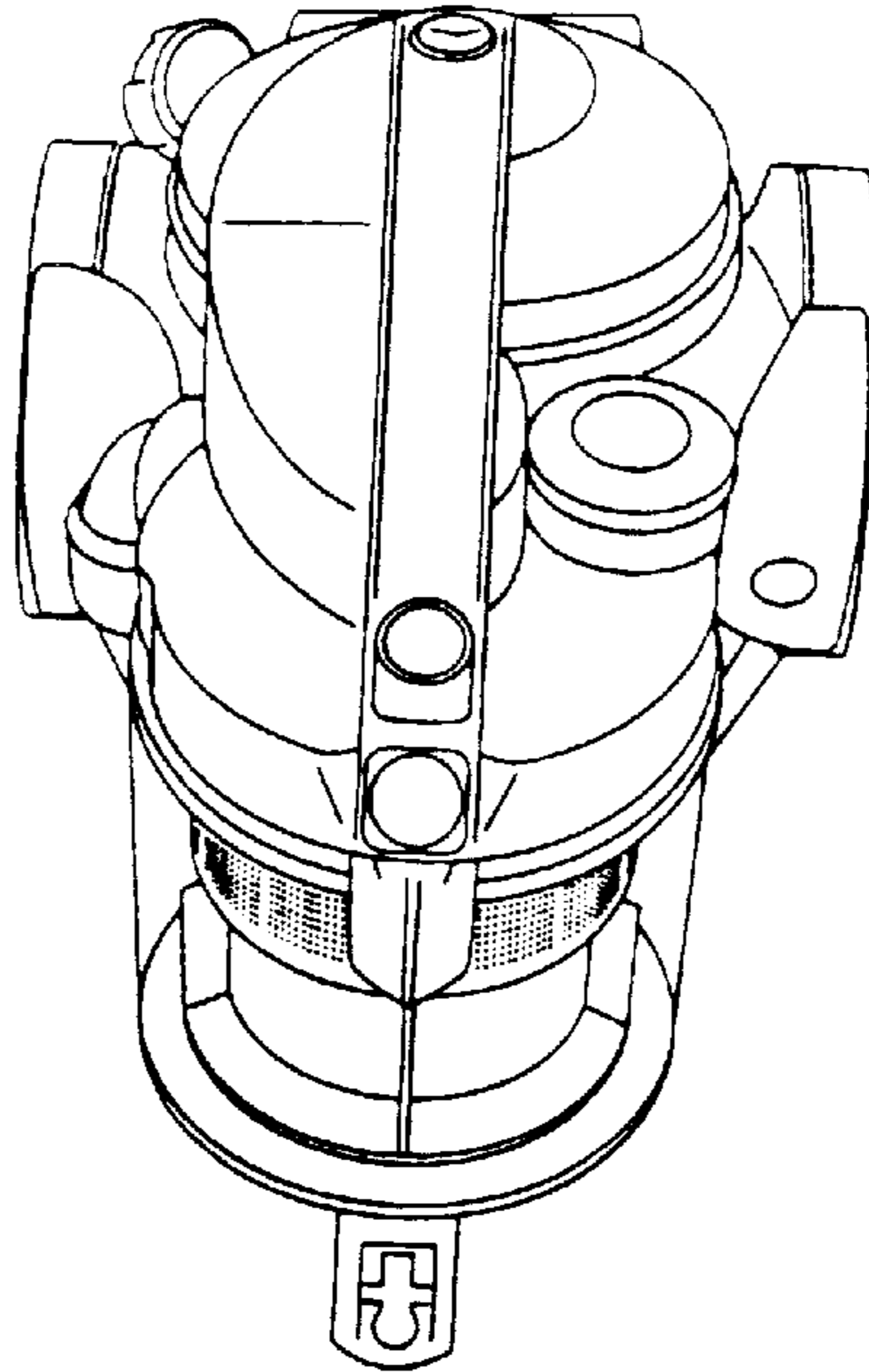


FIGURE 5

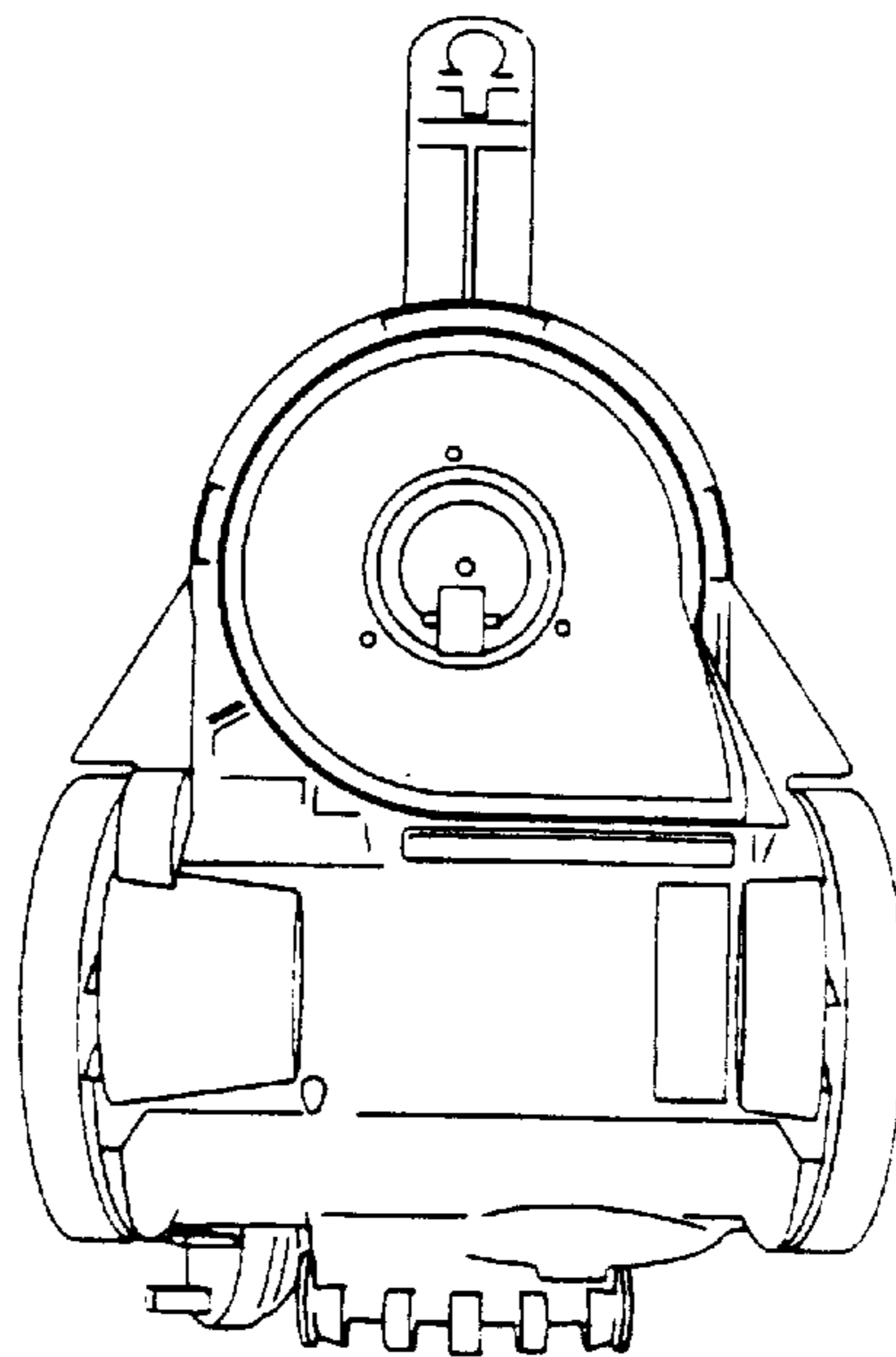


FIGURE 6

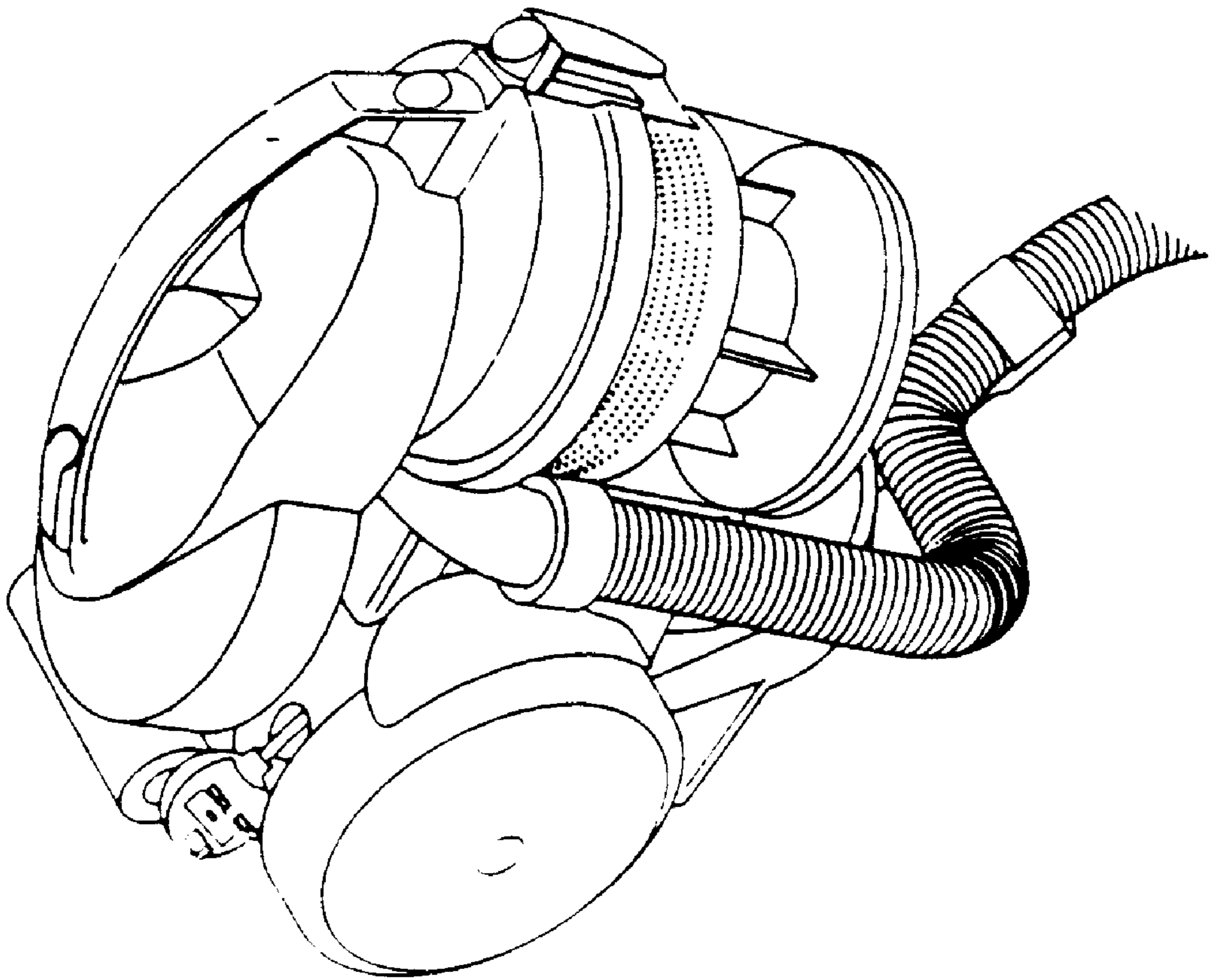


FIGURE 7