



US00D472587S

(12) **United States Design Patent**
Chan

(10) **Patent No.:** **US D472,587 S**

(45) **Date of Patent:** **** Apr. 1, 2003**

(54) **TOY DRUM**

(75) **Inventor:** **Ho Man Herman Chan, Tsing Yi (CN)**

(73) **Assignee:** **Potex Toys Manufacturer Ltd., Kwai Chung (CN)**

(**) **Term:** **14 Years**

(21) **Appl. No.:** **29/142,244**

(22) **Filed:** **May 22, 2001**

(30) **Foreign Application Priority Data**

Nov. 23, 2000 (HK) 0011722

(51) **LOC (7) Cl. 21-01**

(52) **U.S. Cl. D21/405**

(58) **Field of Search D21/405; D17/22;**
84/411 R, 420, 411 P, 422.2, 600, 609-611,
617, 104

(56) **References Cited**

U.S. PATENT DOCUMENTS

D206,824 S * 1/1967 Ryan D21/405
3,433,115 A * 3/1969 Kjelstrom 84/411 R

D227,806 S * 7/1973 Welford D17/22
D276,057 S * 10/1984 Plassmann D21/405
D315,179 S * 3/1991 Takahashi D21/405
D387,374 S * 12/1997 Kawada D17/22
D401,612 S * 11/1998 Takei D17/22
D412,540 S * 8/1999 Chen D17/22

* cited by examiner

Primary Examiner—Dominic Simone

(74) *Attorney, Agent, or Firm*—Alix, Yale & Ristas, LLP

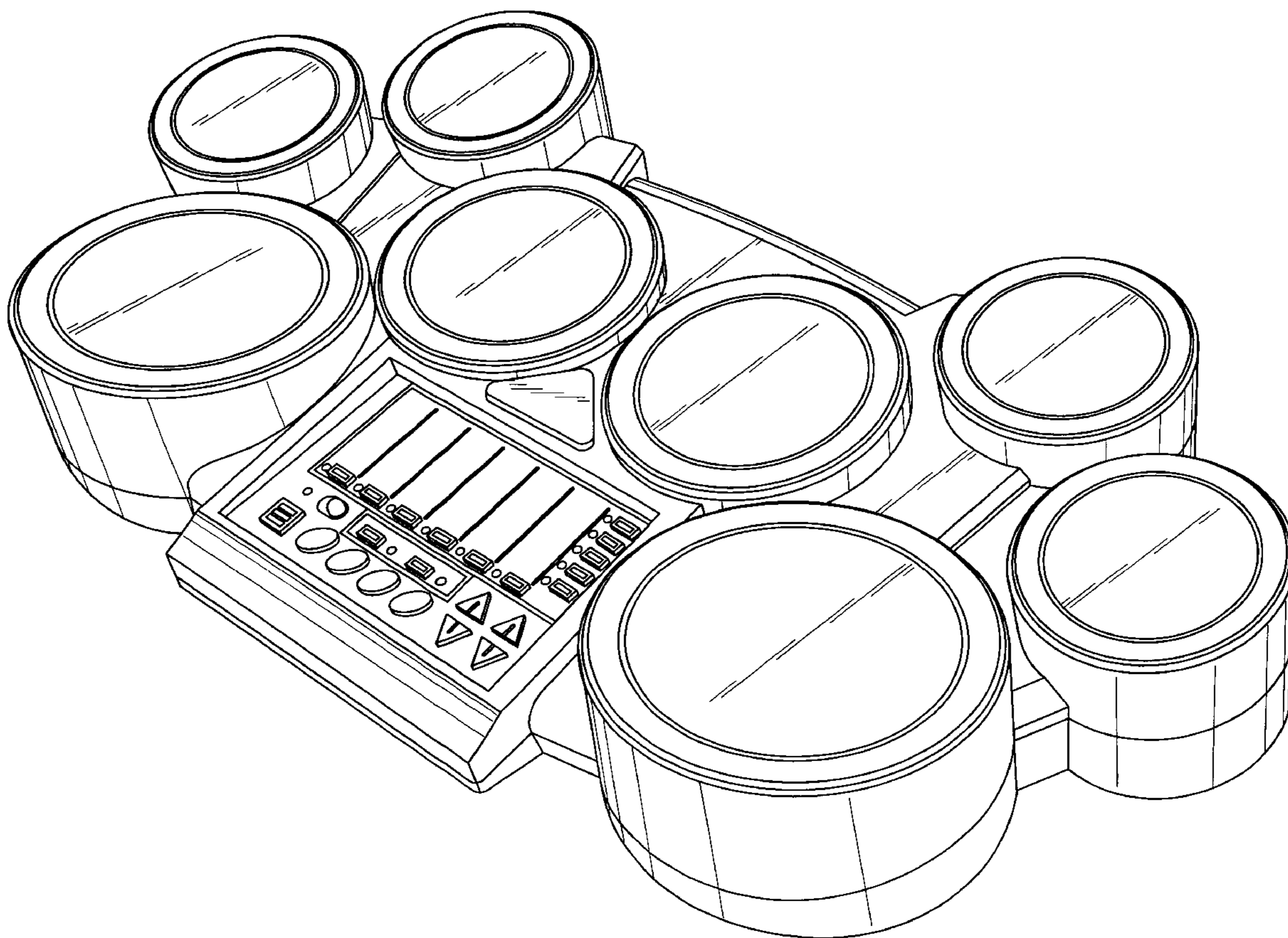
(57) **CLAIM**

The ornamental design for a toy drum, as shown and described.

DESCRIPTION

FIG. 1 is a front perspective view of the toy drum showing my new design;
FIG. 2 is a front view of the toy drum of FIG. 1;
FIG. 3 is a rear view of the toy drum of FIG. 1;
FIG. 4 is a top plan view of the toy drum of FIG. 1;
FIG. 5 is a bottom plan view of the toy drum of FIG. 1;
FIG. 6 is a left side view of the toy drum of FIG. 1; and,
FIG. 7 is a right side view of the toy drum of FIG. 1.

1 Claim, 5 Drawing Sheets



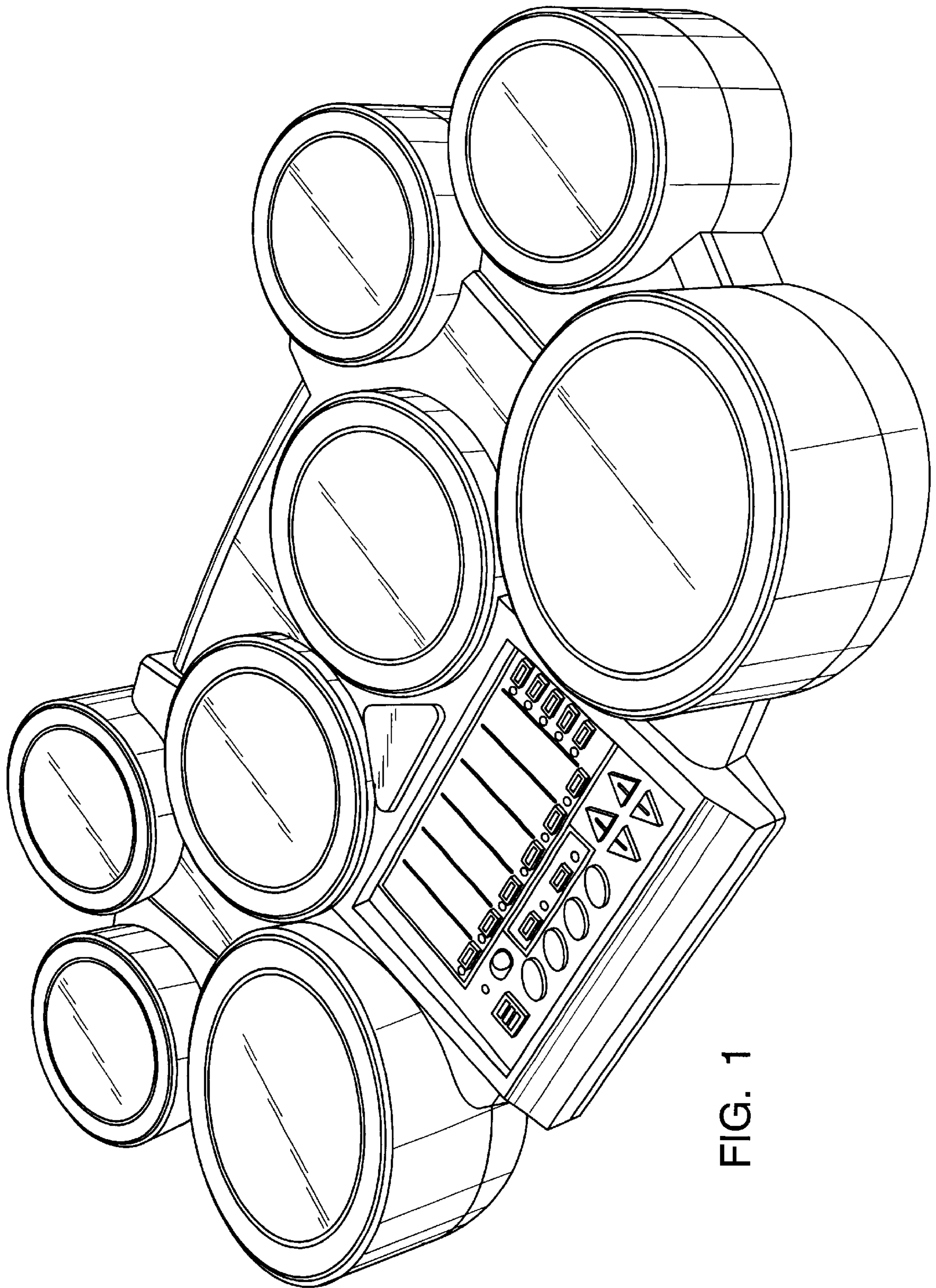


FIG. 1

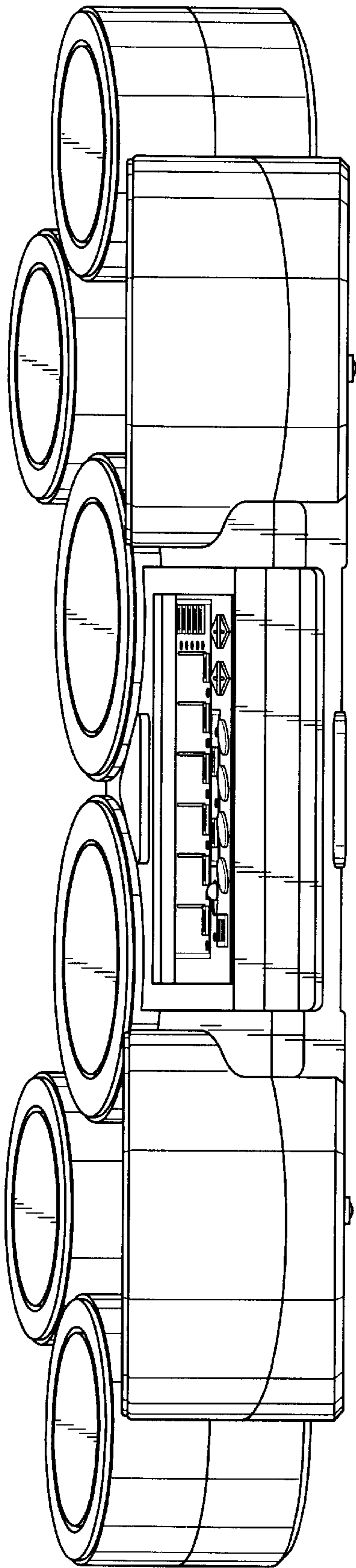


FIG. 2

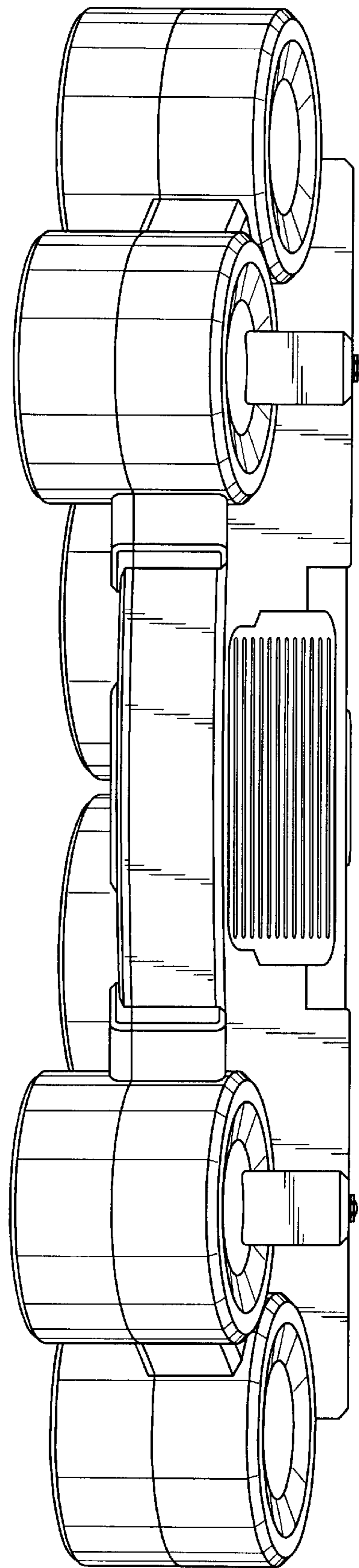


FIG. 3

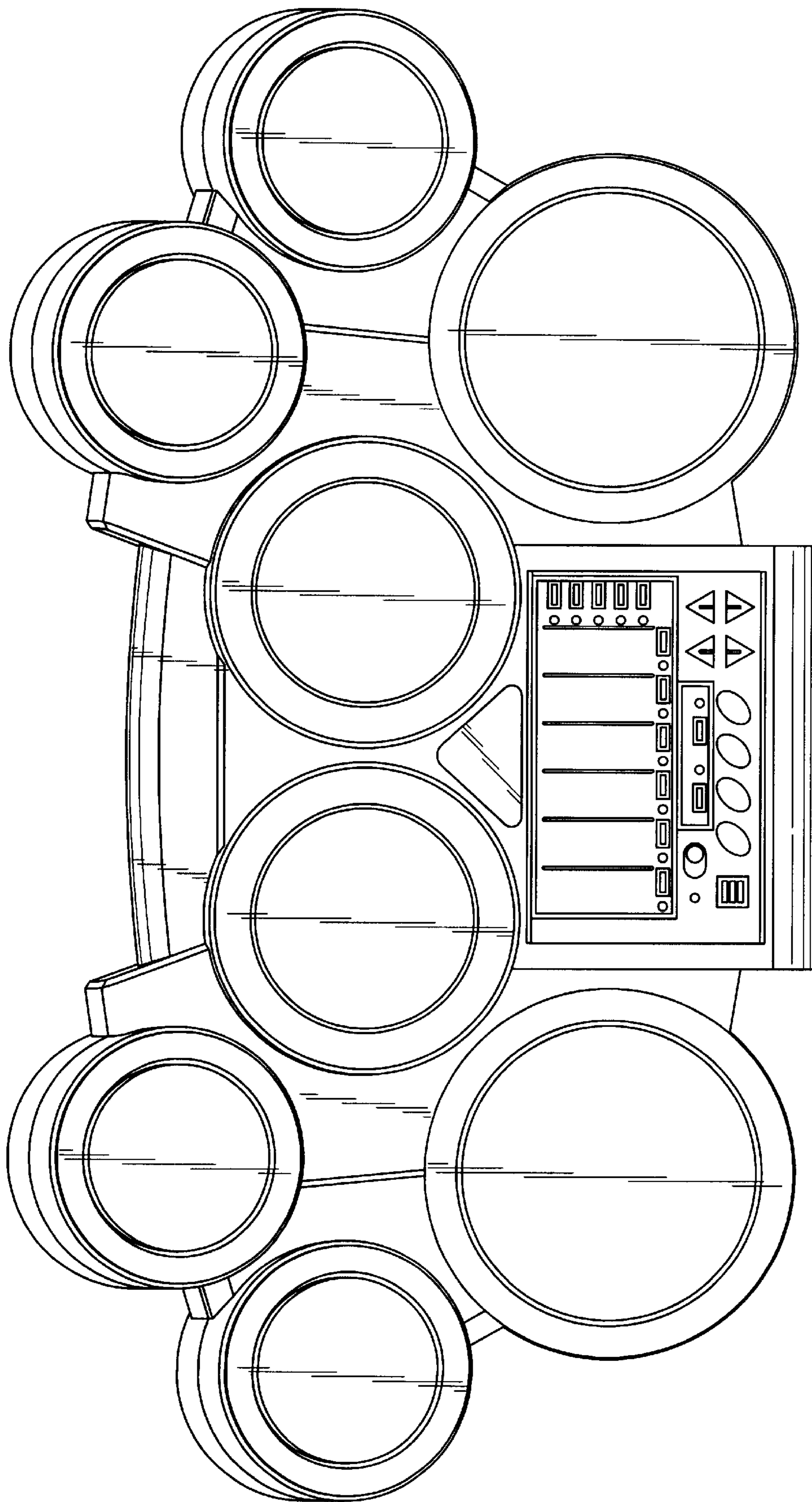


FIG. 4

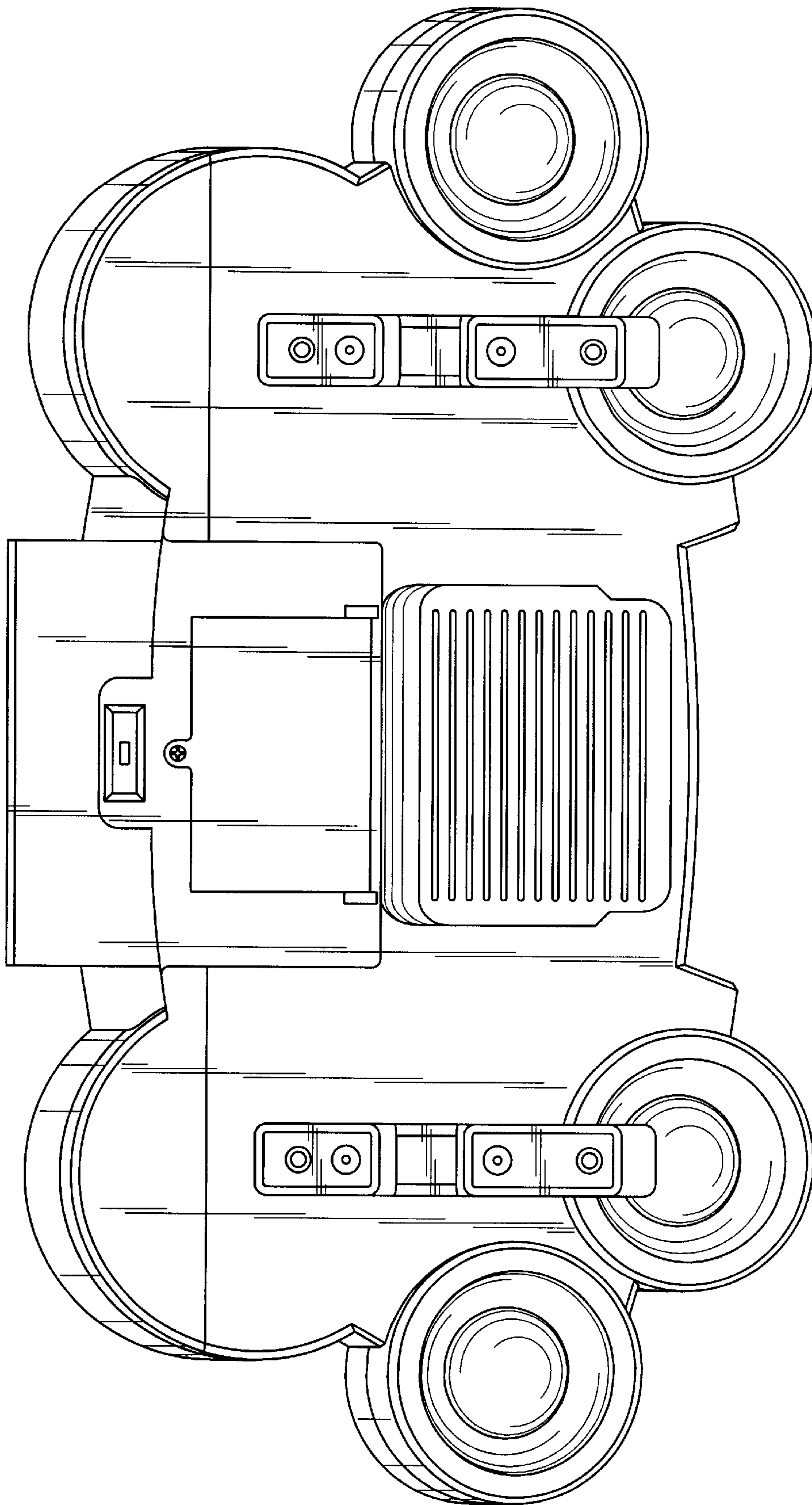


FIG. 5

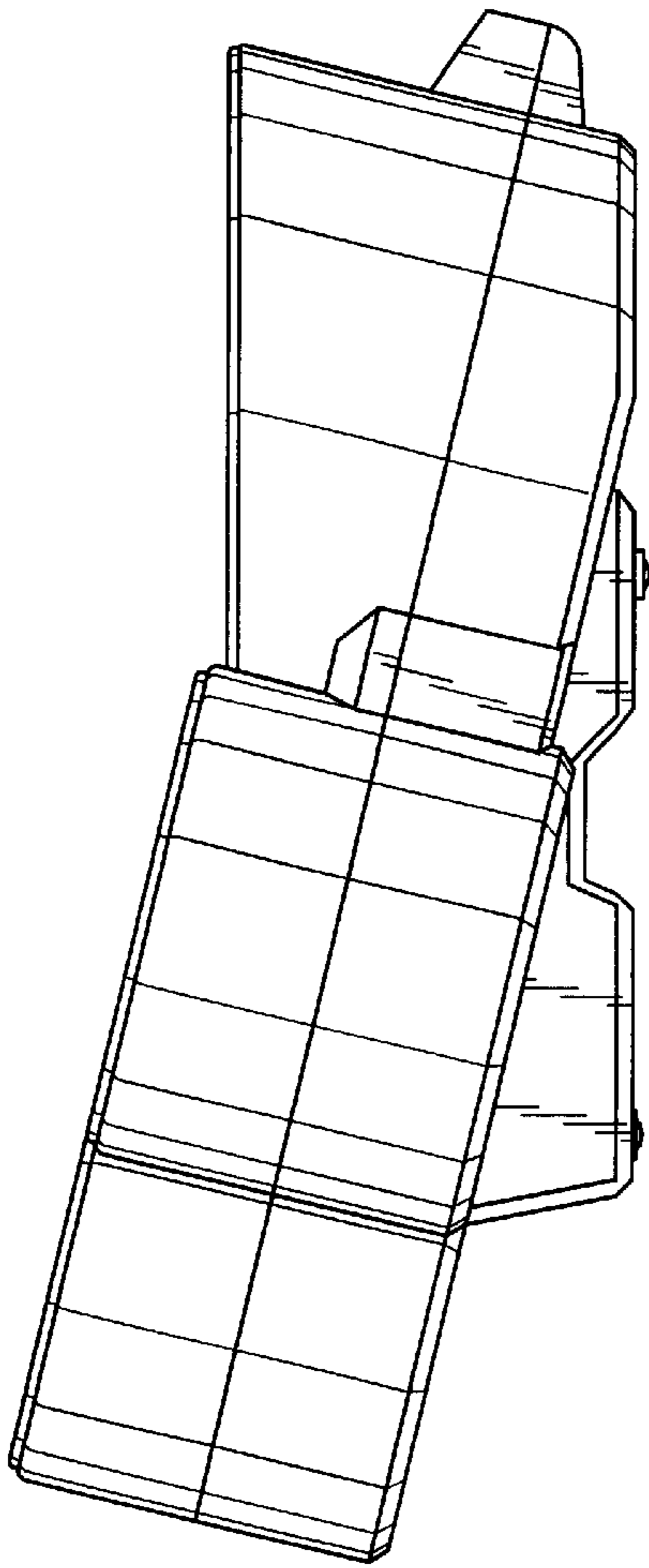


FIG. 6

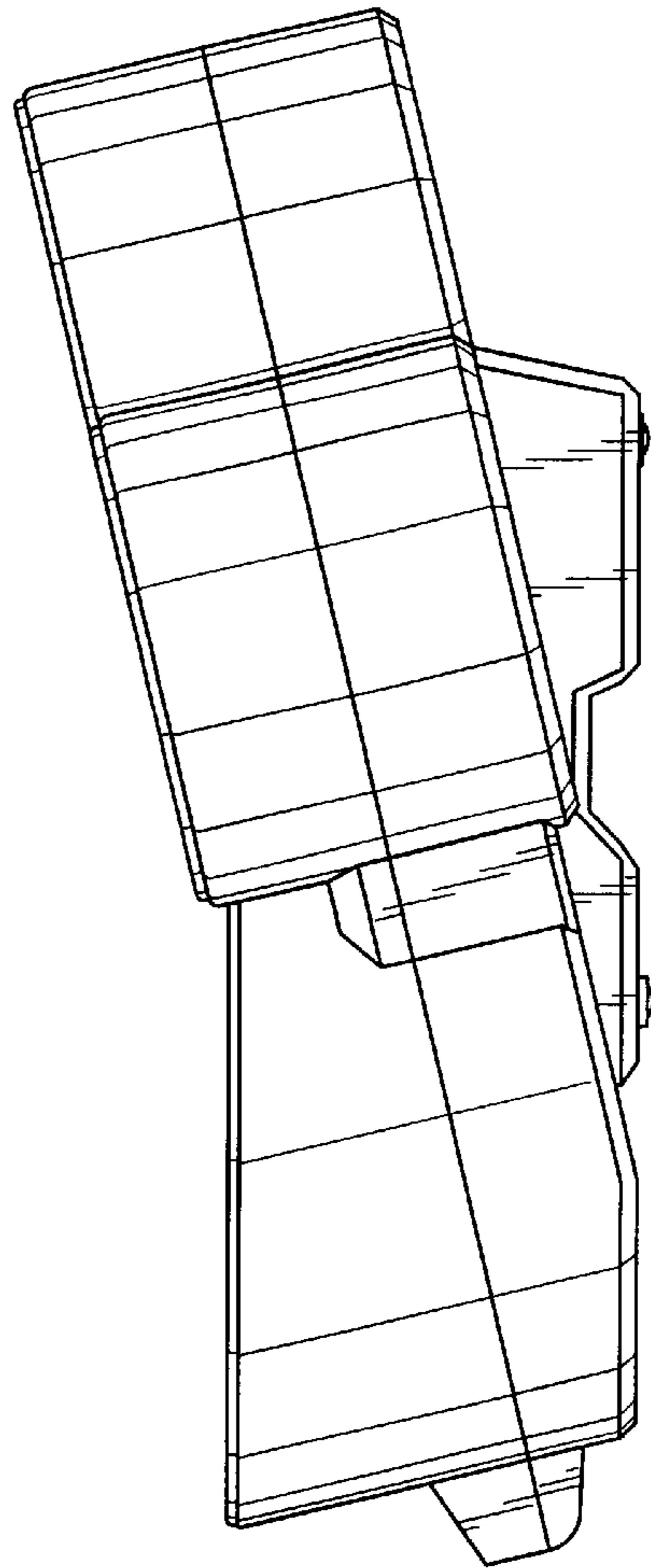


FIG. 7