



US00D472580S

(12) **United States Design Patent**  
**Middleton et al.**

(10) **Patent No.: US D472,580 S**

(45) **Date of Patent: \*\* Apr. 1, 2003**

(54) **CAP FOR A MARKER PEN**

(75) Inventors: **Meral Middleton**, Jamaica Plain, MA (US); **Paul Metaxatos**, Brookline, MA (US)

(73) Assignee: **Berol Corporation**, Freeport, IL (US)

(\*\*) Term: **14 Years**

(21) Appl. No.: **29/161,518**

(22) Filed: **May 31, 2002**

(65) **Prior Publication Data**

- (65)
- (51) **LOC (7) Cl.** ..... **19-06**
- (52) **U.S. Cl.** ..... **D19/57; D19/56**
- (58) **Field of Search** ..... **D19/35, 36, 41-51, D19/53-58, 81-85; 401/98, 202, 213, 243-247, 262**

(56) **References Cited**

**U.S. PATENT DOCUMENTS**

- D401,624 S \* 11/1998 Sakuno ..... D19/61
- D407,436 S \* 3/1999 Chevalier et al. .... D19/43
- 5,941,650 A \* 8/1999 Fukai et al. .... 401/202

- D430,212 S \* 8/2000 Keda ..... D19/57
- D446,813 S \* 8/2001 Yoon ..... D19/43
- D455,174 S \* 4/2002 Traut et al. .... D19/43

\* cited by examiner

*Primary Examiner*—Martie K. Holtje

(74) *Attorney, Agent, or Firm*—Marshall, Gerstein & Borun

(57) **CLAIM**

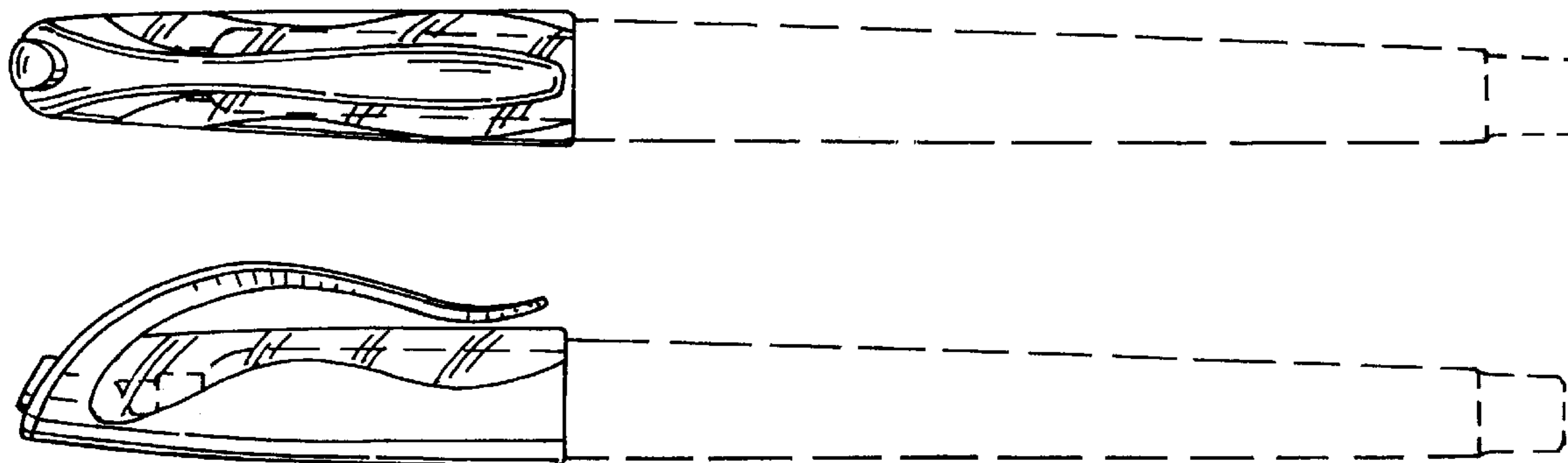
The ornamental design for a “cap for a marker pen”, as shown and described.

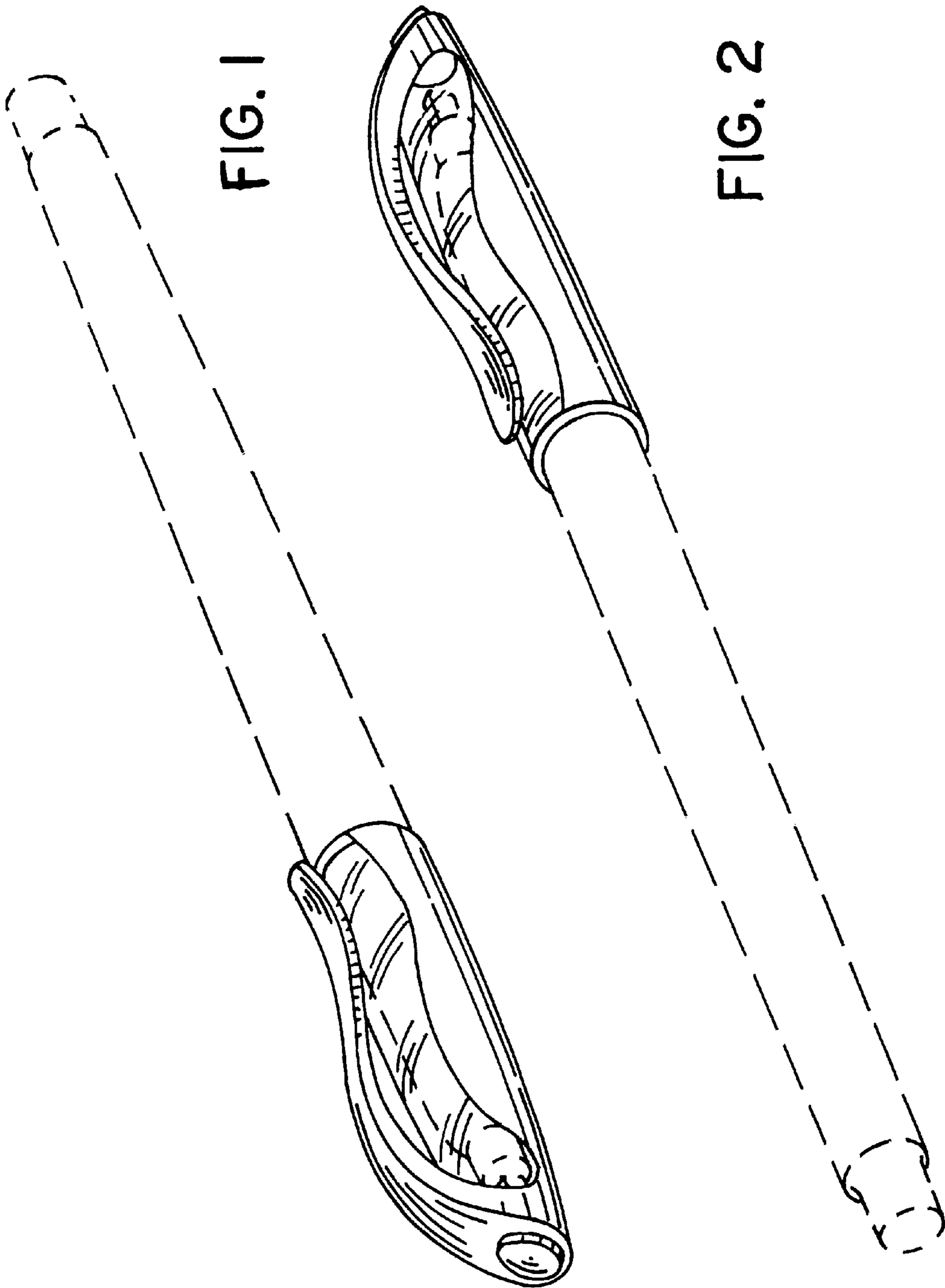
**DESCRIPTION**

FIG. 1 is a perspective view as seen from the top, front and right side of a cap for a marker pen showing our new design; FIG. 2 is a perspective view as seen from the bottom, front and left side thereof; FIG. 3 is a front view thereof; FIG. 4 is a right elevational view, the left elevational view being a mirror image thereof; FIG. 5 is a rear view thereof; FIG. 6 is a top plan view thereof; and, FIG. 7 is a bottom view thereof.

The broken line showing of a marker pen is for illustrative purposes only and forms no part of the claimed design.

**1 Claim, 3 Drawing Sheets**





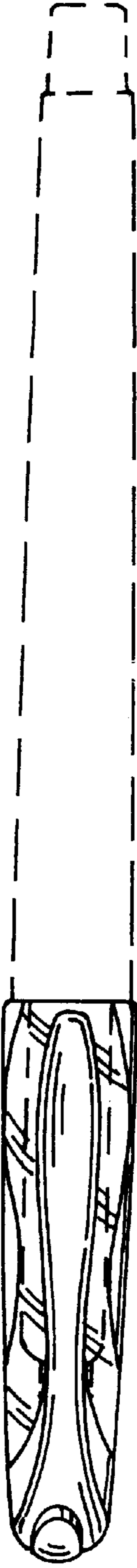


FIG. 3

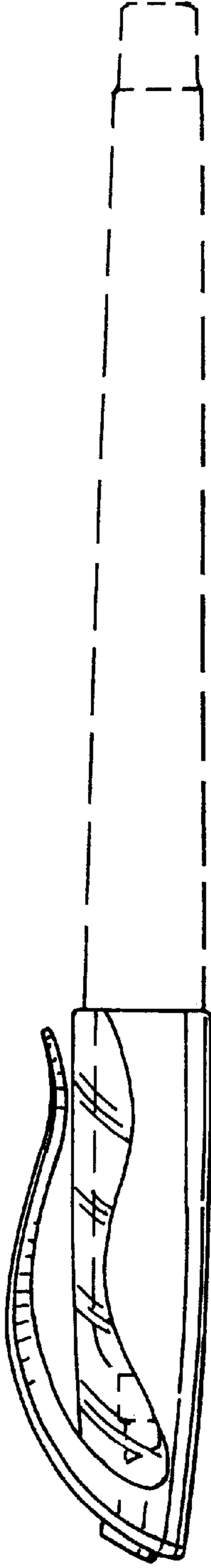


FIG. 4



FIG. 5

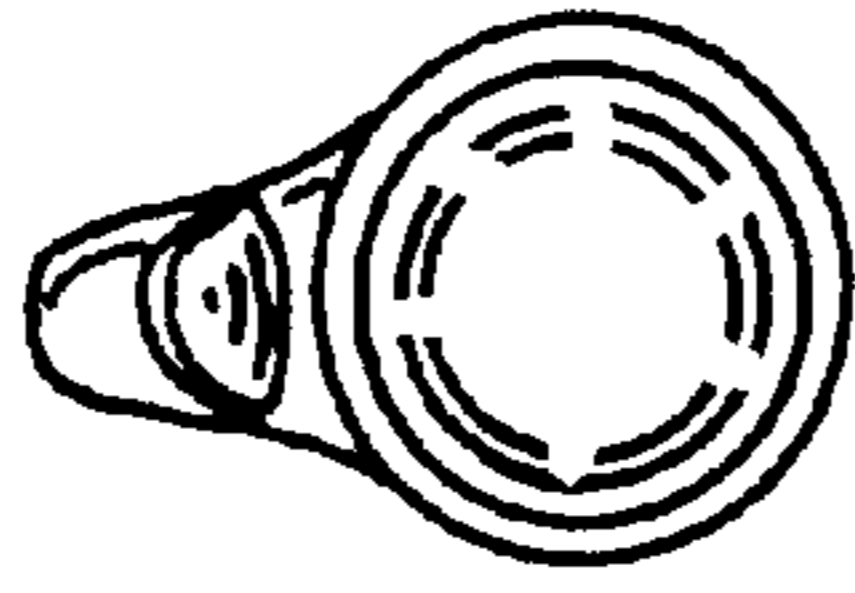


FIG. 7

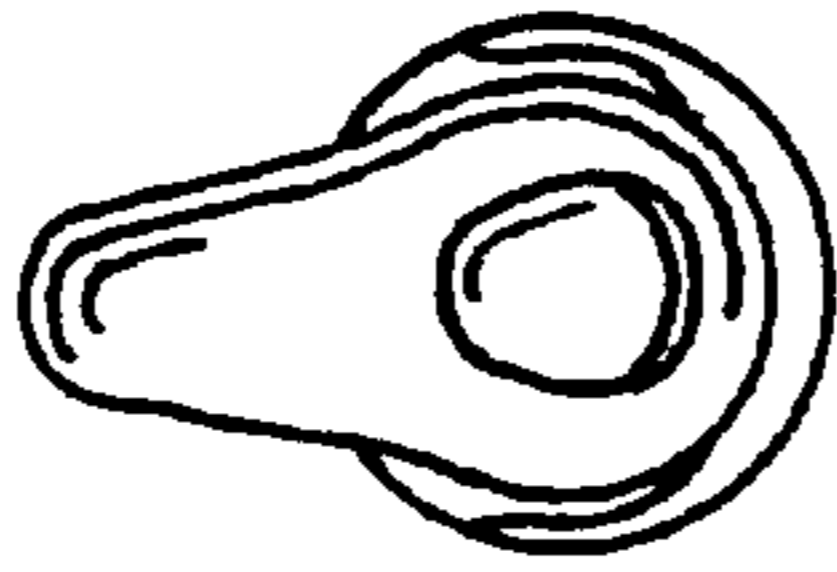


FIG. 6