



US00D472577S

(12) **United States Design Patent**
Sakuno et al.

(10) **Patent No.:** **US D472,577 S**

(45) **Date of Patent:** **** Apr. 1, 2003**

(54) **BALL-POINT PEN**

(75) Inventors: **Makoto Sakuno**, Chuo-ku (JP);
Masashi Ando, Nagoya (JP)

(73) Assignee: **The Pilot Ink Co., Ltd.**, Aichi (JP)

(**) Term: **14 Years**

(21) Appl. No.: **29/157,244**

(22) Filed: **Mar. 18, 2002**

(30) **Foreign Application Priority Data**

Sep. 19, 2001 (JP) 2001-027537

(51) **LOC (7) Cl.** **19-06**

(52) **U.S. Cl.** **D19/51; D19/48; D19/55;**
D19/56

(58) **Field of Search** D19/35, 36, 41-51,
D19/53-58, 81-85; 401/99, 100, 101, 103-106,
107-110, 111-117, 209

(56) **References Cited**

U.S. PATENT DOCUMENTS

- D374,893 S * 10/1996 Yazawa D19/51
- D444,499 S * 7/2001 Nakazawa D19/49
- D445,827 S * 7/2001 Stropkay et al. D19/43
- D451,545 S * 12/2001 Tsuchikura D19/36

- D451,547 S * 12/2001 Nishida D19/48
- D453,790 S * 2/2002 Tsuchikura D19/36
- D463,821 S * 10/2002 Nishida D19/47

FOREIGN PATENT DOCUMENTS

- JP 1083134 A 8/2000
- JP 1090673 A 11/2000

* cited by examiner

Primary Examiner—Martie K. Holtje

(74) *Attorney, Agent, or Firm*—Sughrue Mion, PLLC

(57) **CLAIM**

The ornamental design for a ball-point pen, as shown and described.

DESCRIPTION

FIG. 1 is a perspective view of the top, front and right side of a ball-point pen showing our new design;
 FIG. 2 is a front elevational view thereof;
 FIG. 3 is a right side elevational view thereof;
 FIG. 4 is a left side elevational view thereof;
 FIG. 5 is a rear elevational view thereof;
 FIG. 6 is a bottom plan view thereof;
 FIG. 7 is a top plan view thereof; and,
 FIG. 8 is a view similar to FIG. 3 with the writing point extended.

1 Claim, 3 Drawing Sheets

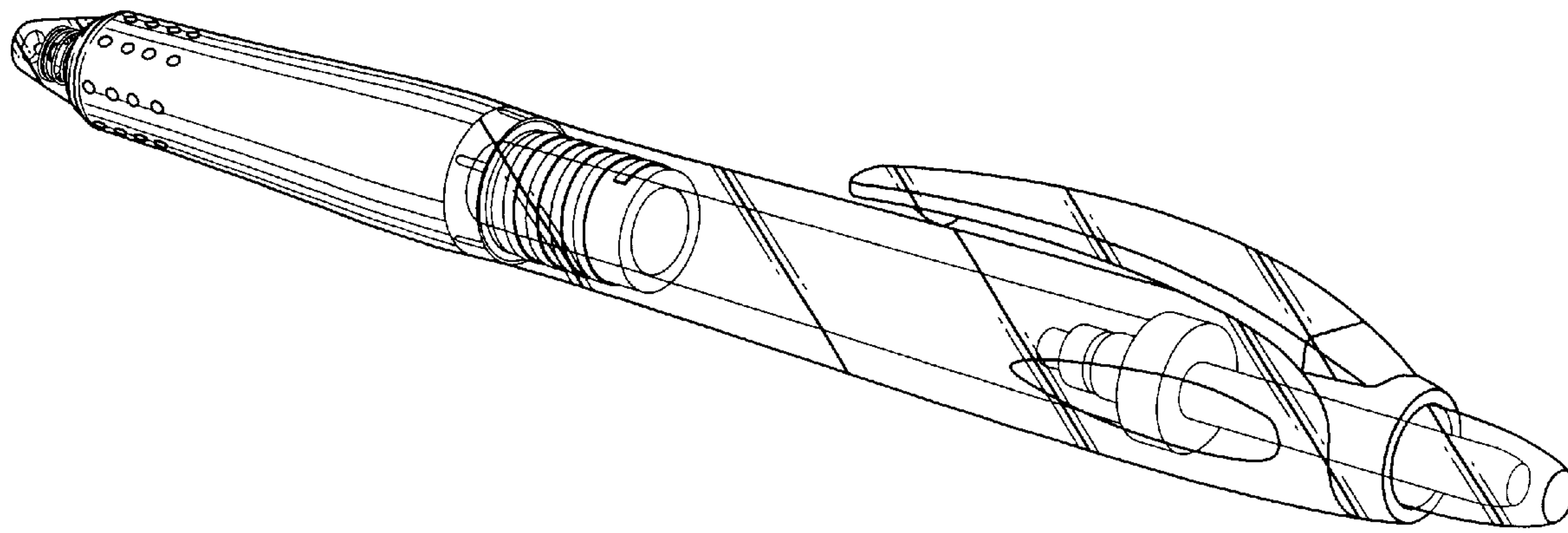


FIG. 1

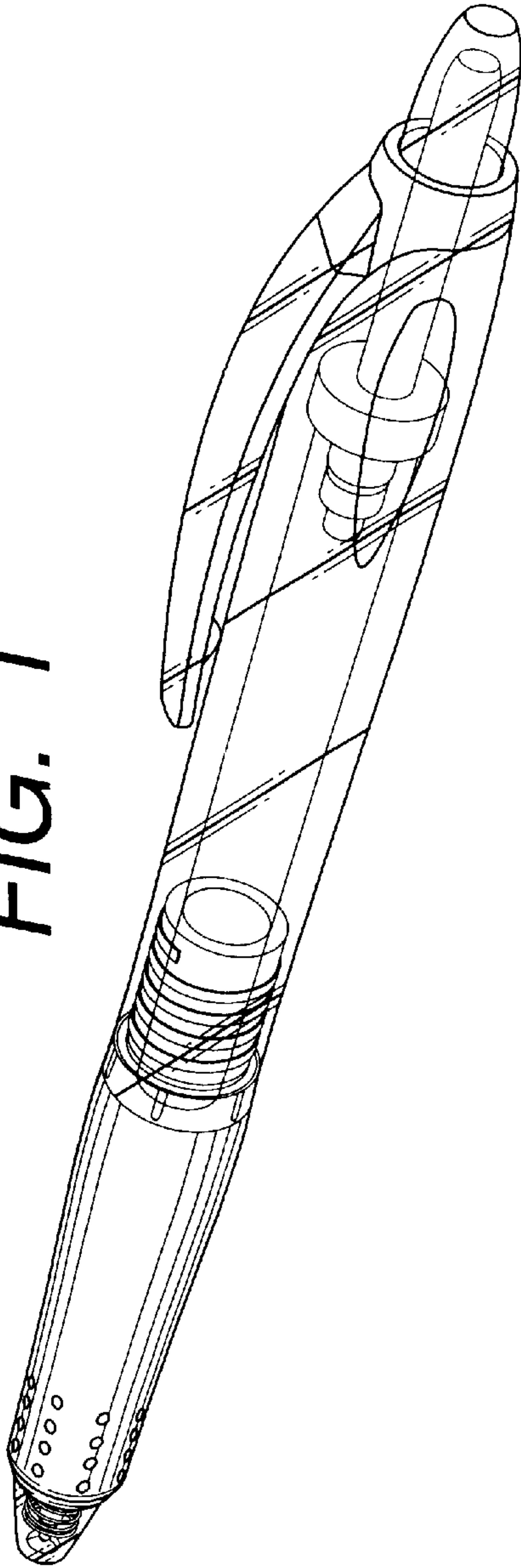


FIG. 2

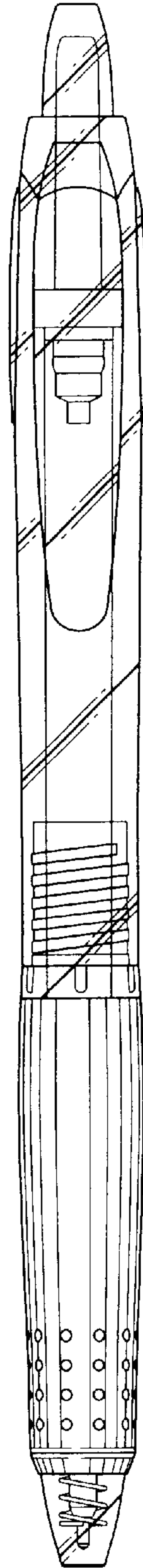


FIG. 3

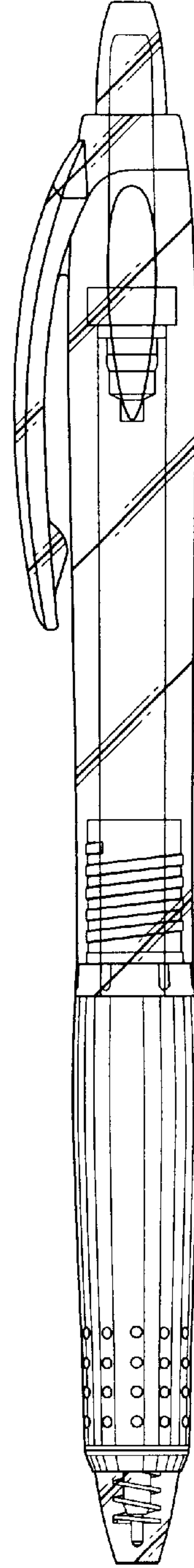


FIG. 4

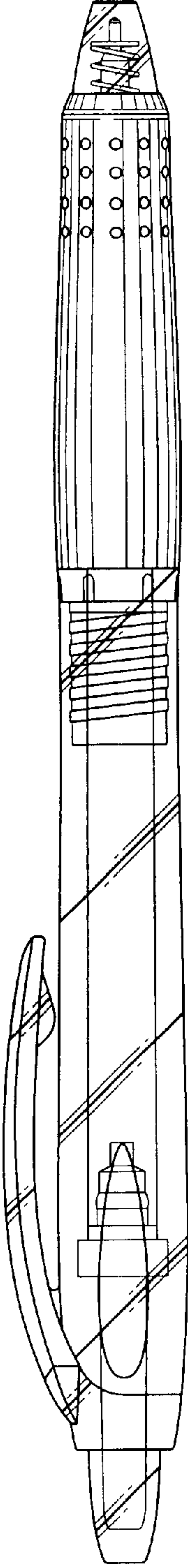


FIG. 5

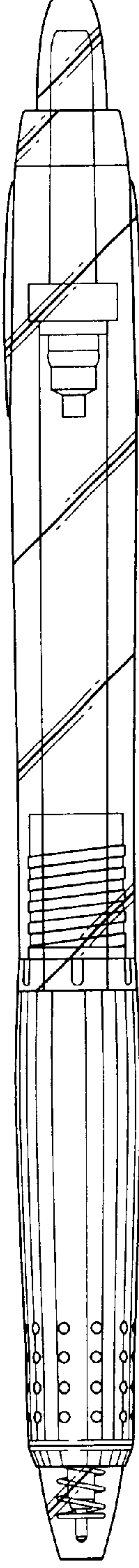


FIG. 6

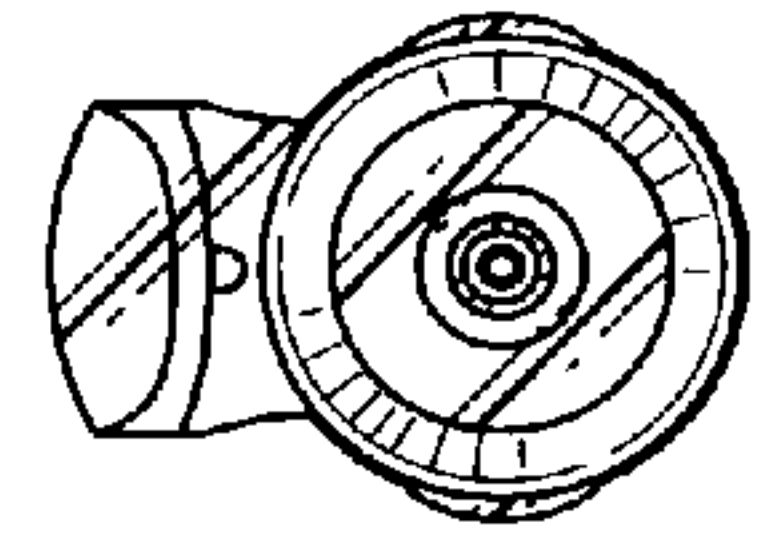


FIG. 7

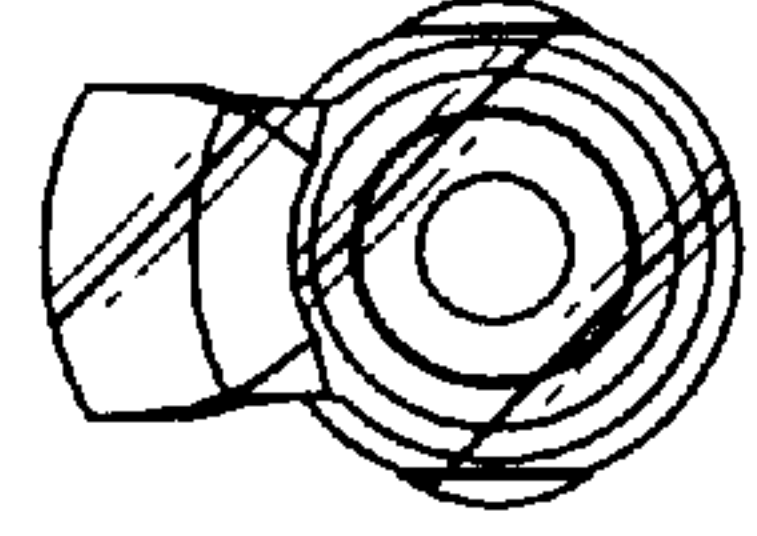


FIG. 8

