



US00D472575S

(12) **United States Design Patent**
Middleton et al.

(10) **Patent No.:** **US D472,575 S**

(45) **Date of Patent:** **** Apr. 1, 2003**

(54) **MARKER PEN**

(75) Inventors: **Meral Middleton**, Jamaica Plain, MA
(US); **Paul Metaxatos**, Brookline, MA
(US)

(73) Assignee: **Berol Corporation**, Freeport, IL (US)

(**) Term: **14 Years**

(21) Appl. No.: **29/161,519**

(22) Filed: **May 31, 2002**

(51) **LOC (7) Cl.** **19-06**

(52) **U.S. Cl.** **D19/43; D19/51**

(58) **Field of Search** D19/35, 36, 41-43,
D19/44-51, 53-58, 81-85; 401/98, 196,
202, 213, 243-247, 262

(56) **References Cited**

U.S. PATENT DOCUMENTS

D153,290 S	*	4/1949	Jensen	D19/43
D340,476 S	*	10/1993	Hiomori	D19/51
D341,623 S	*	11/1993	Chuang	D19/36
D366,497 S	*	1/1996	Otake	D19/51
D401,624 S	*	11/1998	Sakuno	D19/51

D407,436 S	*	3/1999	Chevalier et al.	D19/43
D434,442 S	*	11/2000	Nohara	D19/48
D446,813 S	*	8/2001	Yoon	D19/43
D455,174 S	*	4/2002	Traut et al.	D19/43

* cited by examiner

Primary Examiner—Martie K. Holtje

(74) *Attorney, Agent, or Firm*—Marshall, Gerstein & Borun

(57) **CLAIM**

The ornamental design for a “marker pen”, as shown and described.

DESCRIPTION

FIG. 1 is a perspective view as seen from the top, front and right side of a marker pen showing our new design;

FIG. 2 is a perspective view as seen from the bottom, front and left side thereof;

FIG. 3 is a front view thereof;

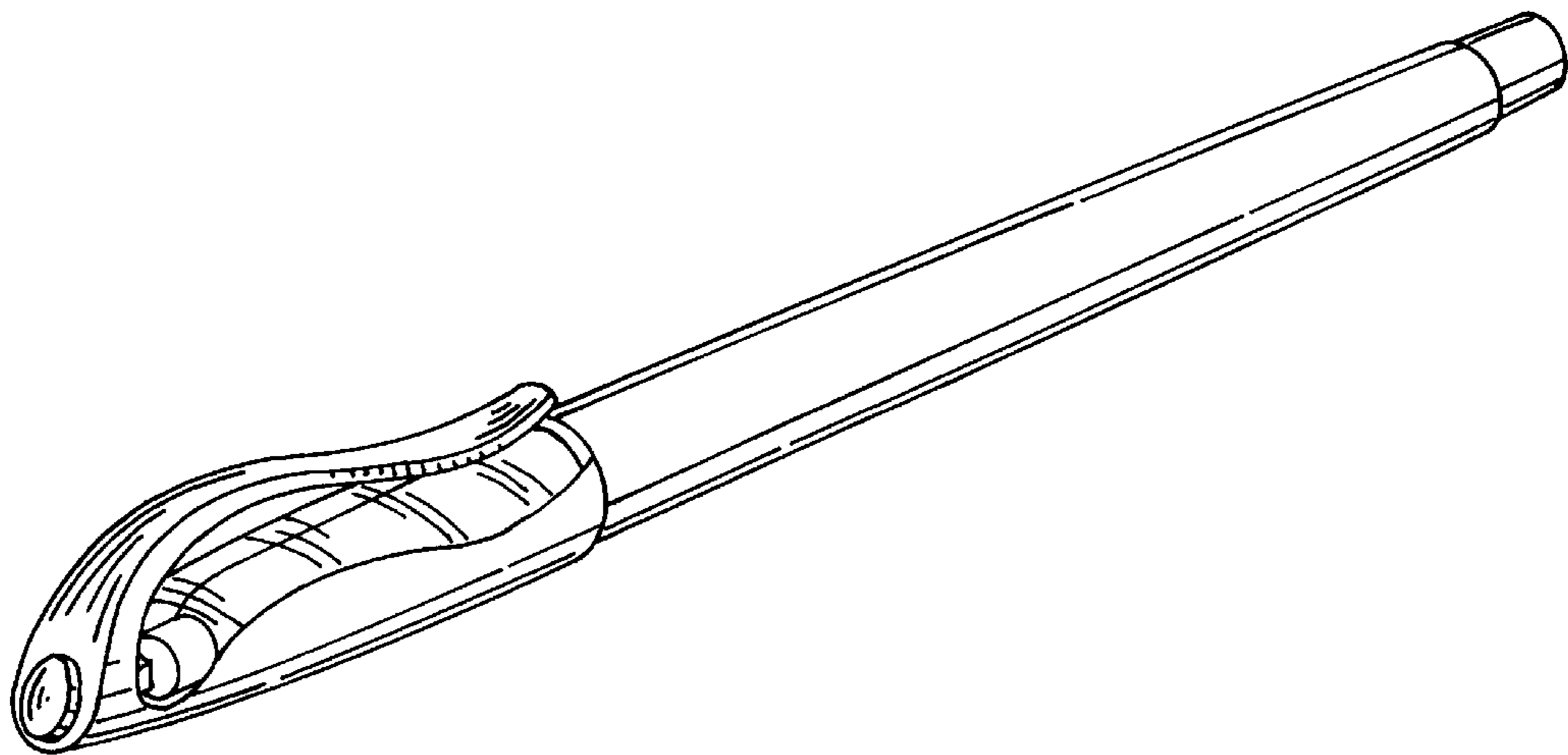
FIG. 4 is a right elevational view, the left elevational view being a mirror image thereof;

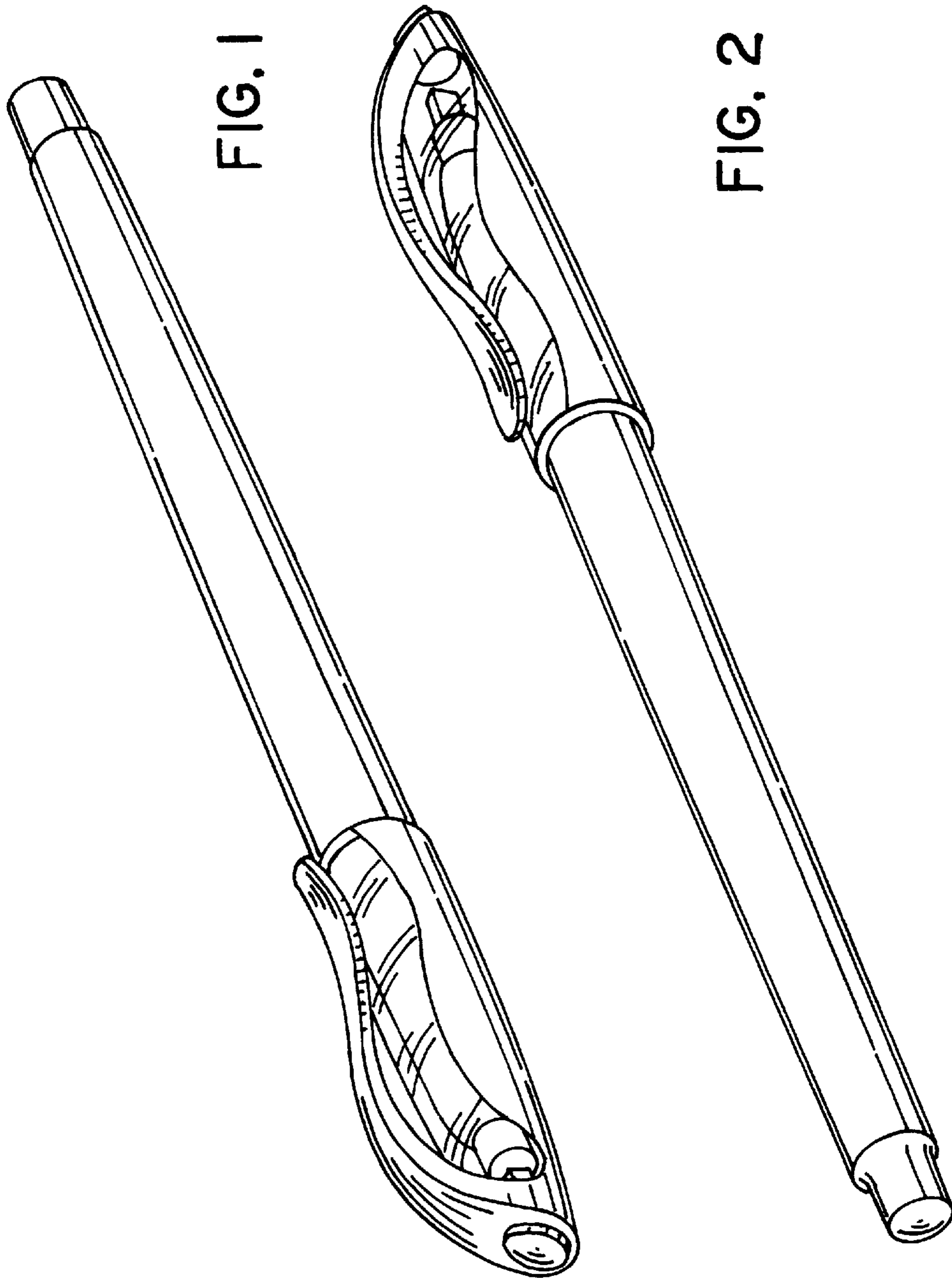
FIG. 5 is a rear view thereof;

FIG. 6 is a top plan view thereof; and,

FIG. 7 is a bottom view thereof.

1 Claim, 3 Drawing Sheets





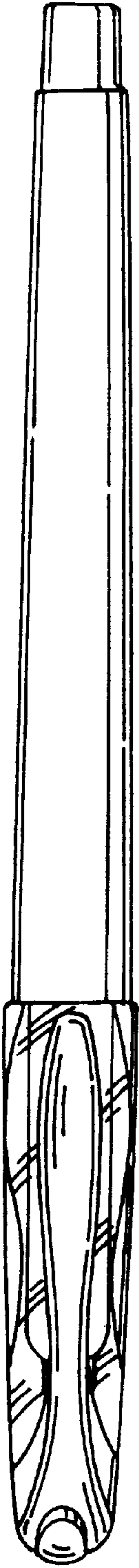


FIG. 3

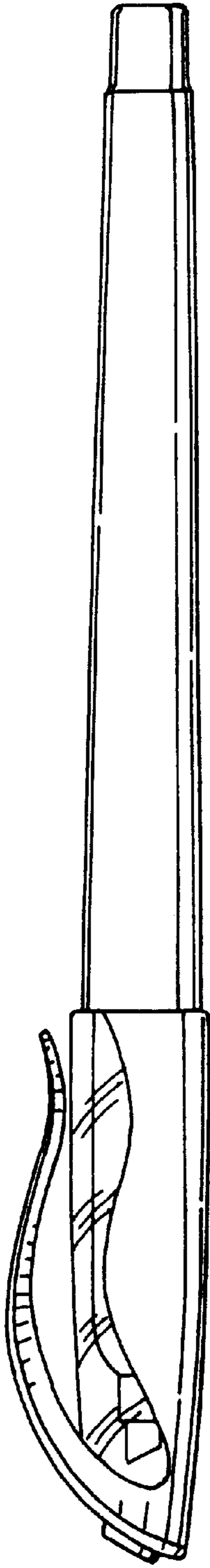


FIG. 4

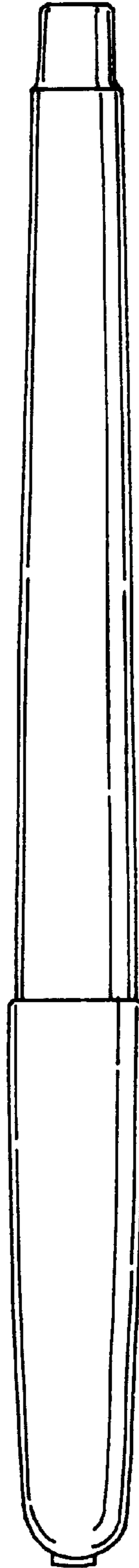


FIG. 5

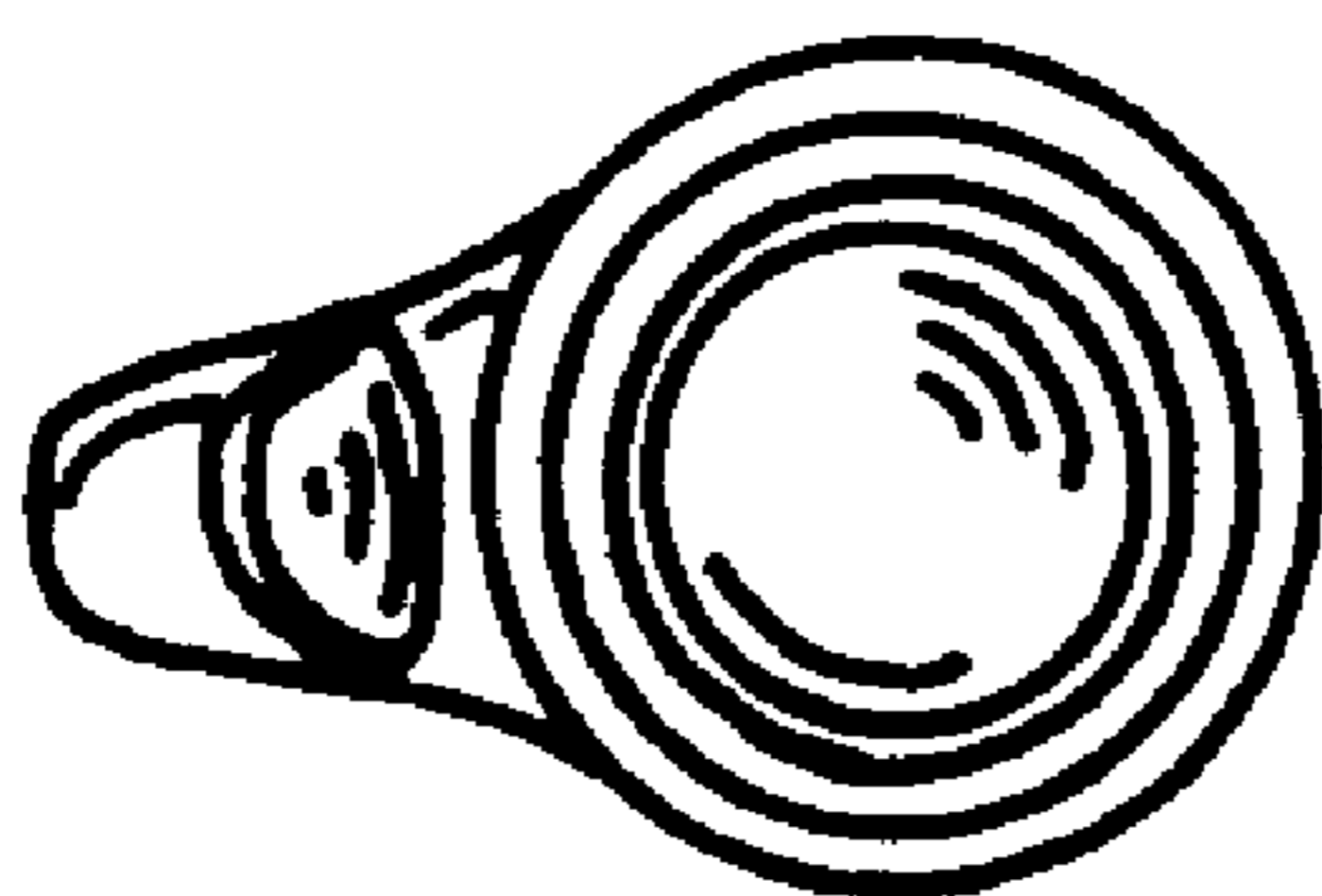


FIG. 6

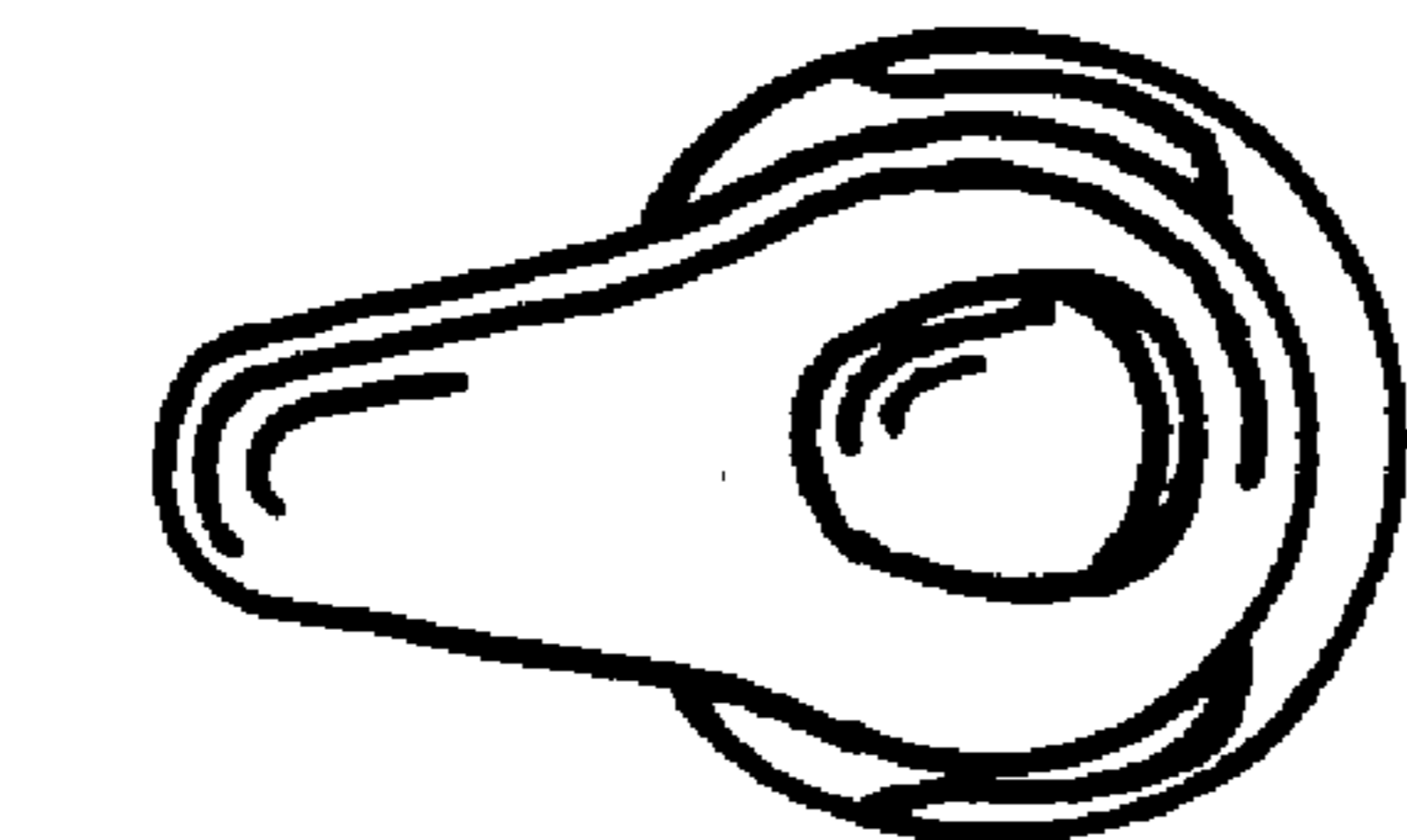


FIG. 7