



US00D472572S

(12) **United States Design Patent**
Kaiho

(10) **Patent No.:** **US D472,572 S**

(45) **Date of Patent:** **** Apr. 1, 2003**

(54) **TONER STORAGE CONTAINER**

D458,302 S * 6/2002 Wang et al. D18/43
D458,960 S * 6/2002 Wang et al. D18/43

(75) Inventor: **Satoshi Kaiho**, Yokohama (JP)

FOREIGN PATENT DOCUMENTS

(73) Assignee: **Toshiba Tec Kabushiki Kaisha**, Tokyo (JP)

JP D1115942 7/2001

(**) Term: **14 Years**

* cited by examiner

(21) Appl. No.: **29/163,424**

Primary Examiner—Caron D. Veynar

(22) Filed: **Jul. 5, 2002**

(74) *Attorney, Agent, or Firm*—Morrison & Foerster LLP

(30) **Foreign Application Priority Data**

(57) **CLAIM**

Mar. 11, 2002 (JP) 2002-006231

The ornamental design for a toner storage container, as shown.

(51) **LOC (7) Cl.** **16-03**

DESCRIPTION

(52) **U.S. Cl.** **D18/43**

FIG. 1 is a front, top and left side perspective view of a toner storage container showing a new design;

(58) **Field of Search** D18/36, 40, 43,
D18/56; 399/24, 25, 27, 28, 61, 99, 106,
111, 262; 222/DIG. 1

FIG. 2 is a rear, top and right side perspective view thereof;

FIG. 3 is a front elevational view thereof;

FIG. 4 is a rear side elevational view thereof;

FIG. 5 is a left elevational view thereof;

FIG. 6 is a right elevational view thereof;

FIG. 7 is a top plan view thereof; and,

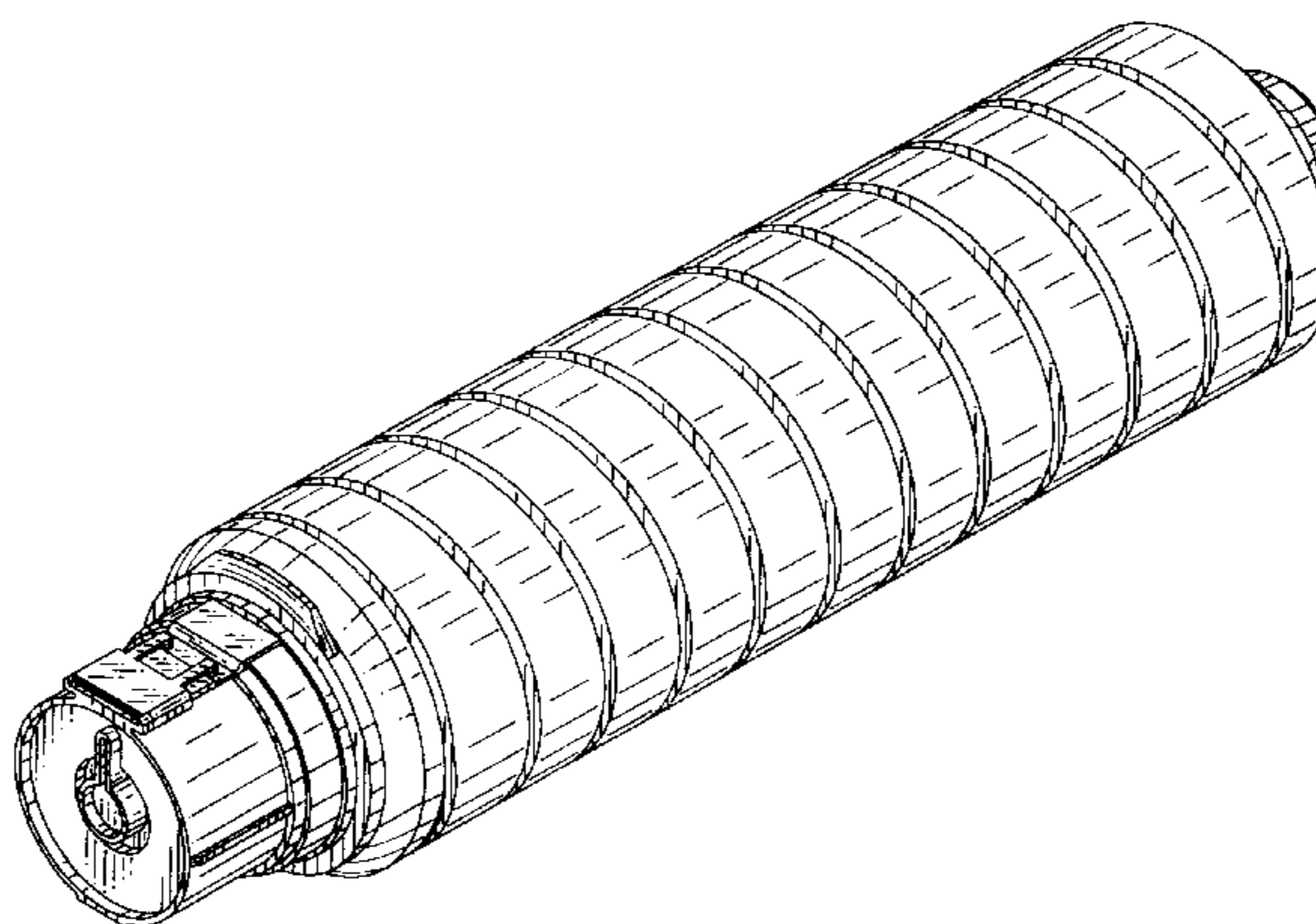
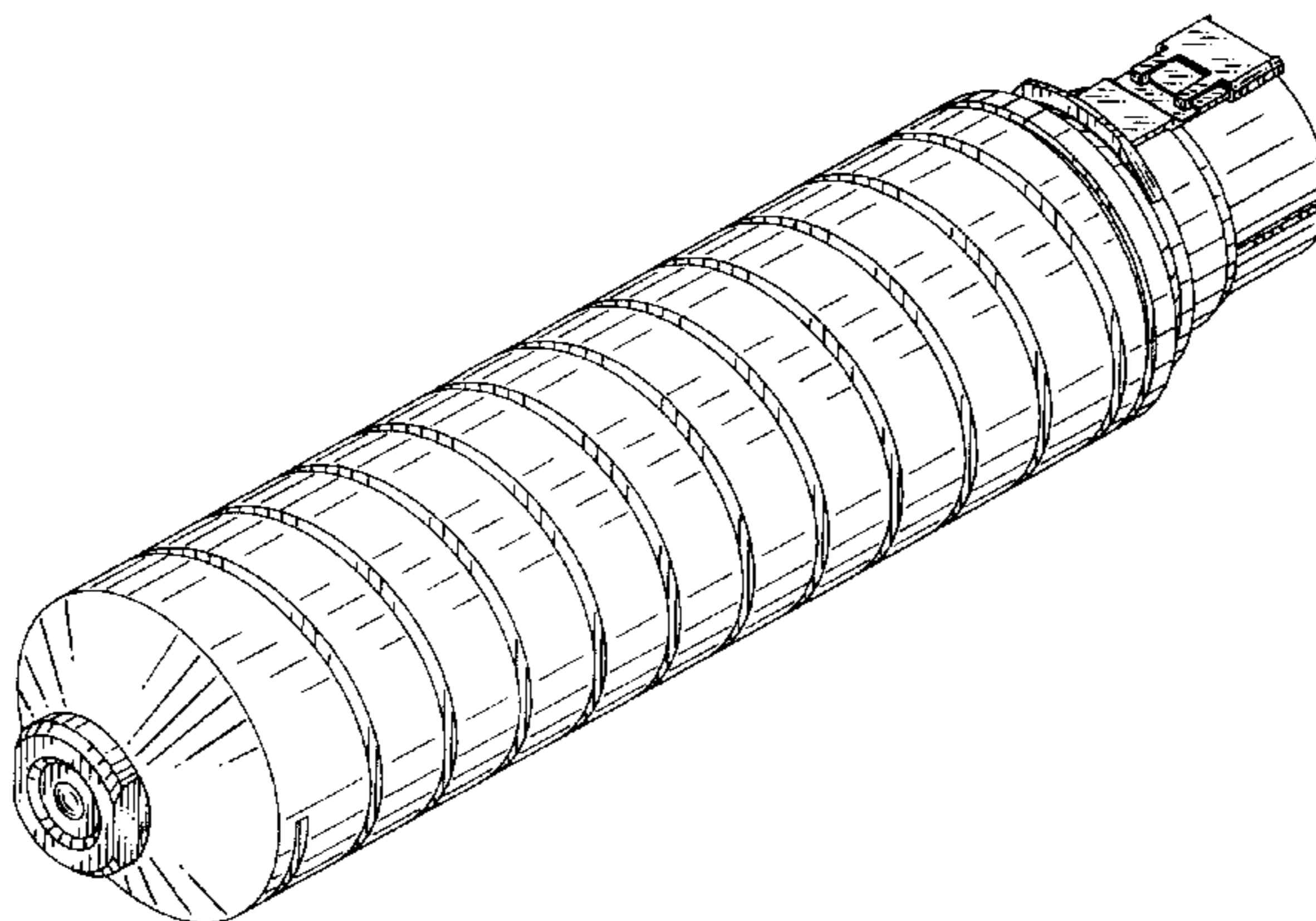
FIG. 8 is a bottom plan view thereof.

(56) **References Cited**

U.S. PATENT DOCUMENTS

D430,197 S * 8/2000 Wang et al. D18/43
D442,986 S * 5/2001 Tsuji et al. D18/43
D447,167 S 8/2001 Taniyama D18/43

1 Claim, 3 Drawing Sheets



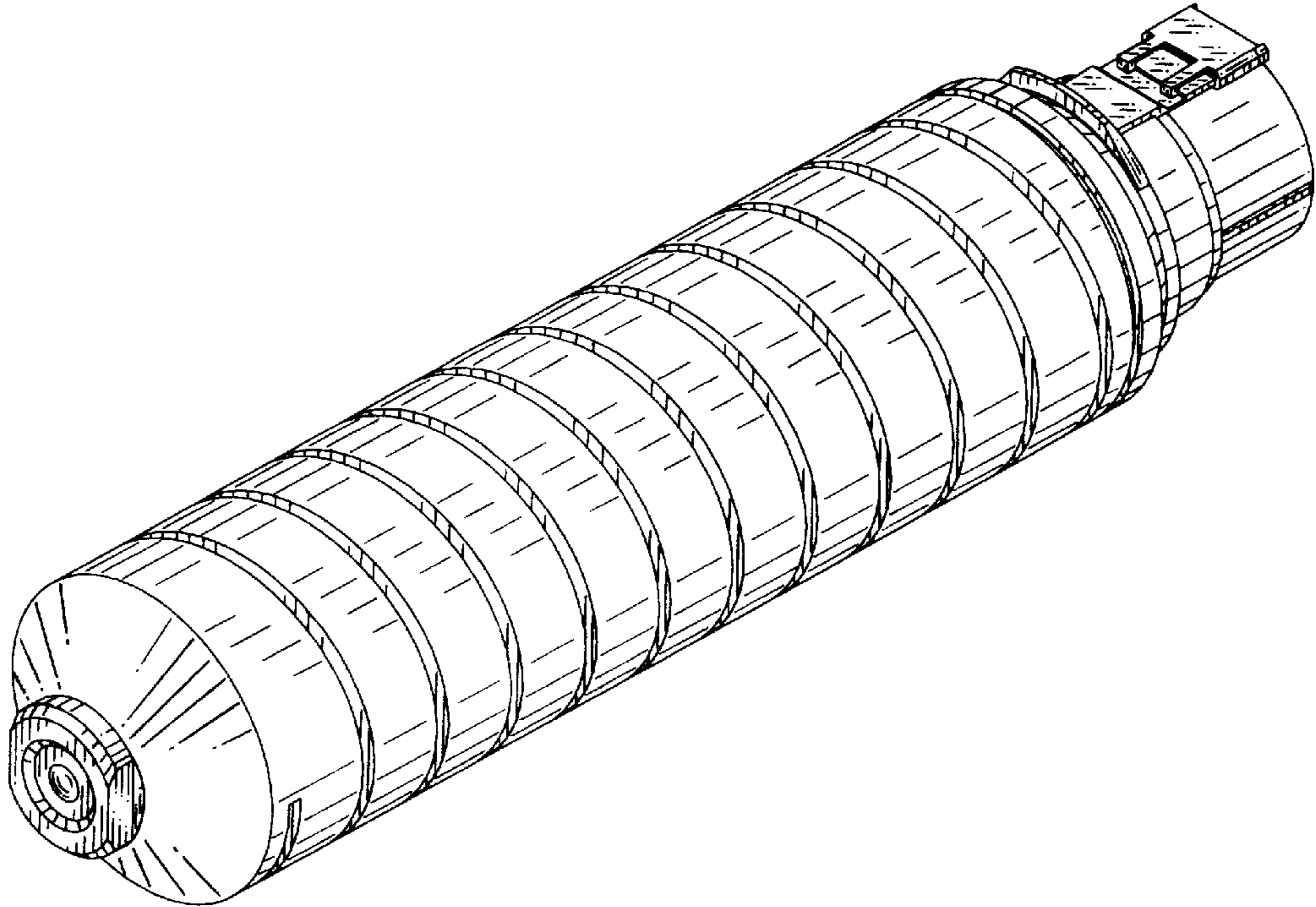


FIG. 1

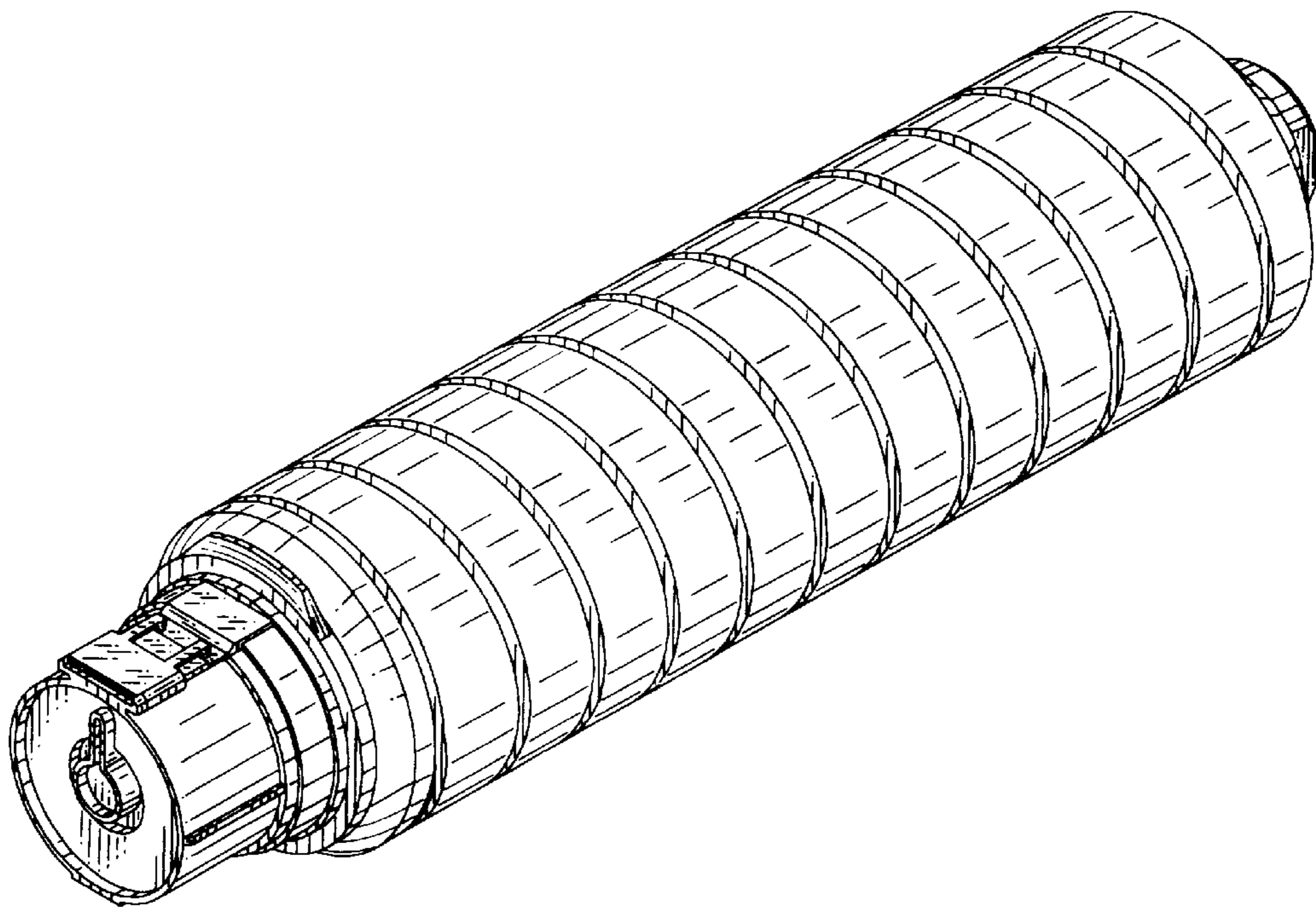


FIG. 2

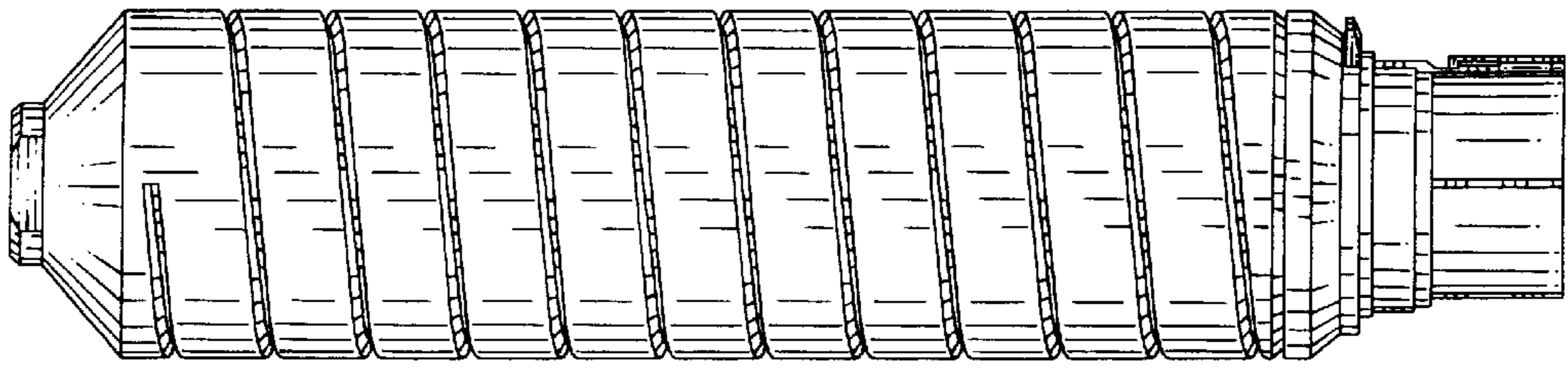


FIG. 3

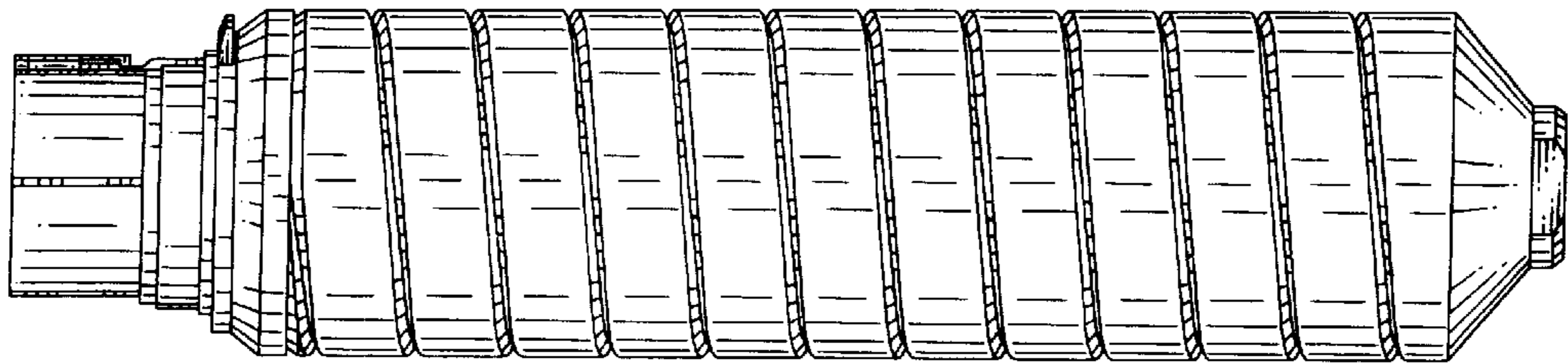


FIG. 4

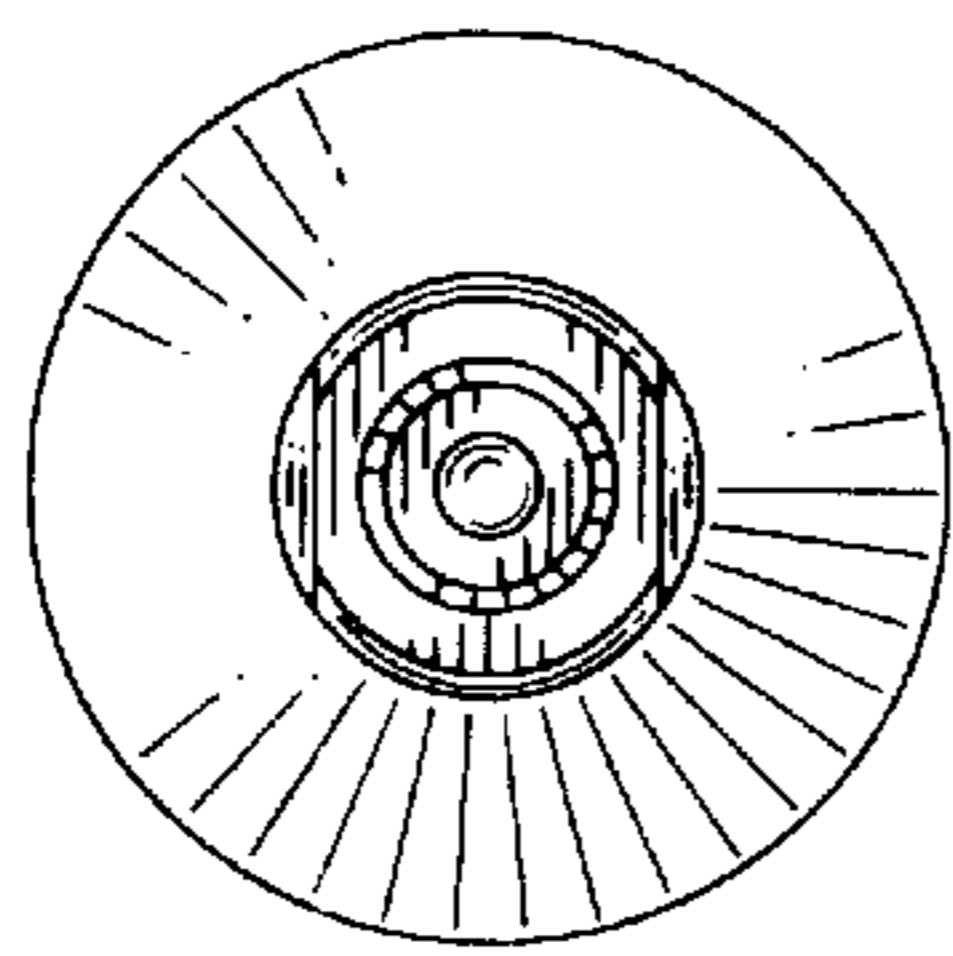


FIG. 5

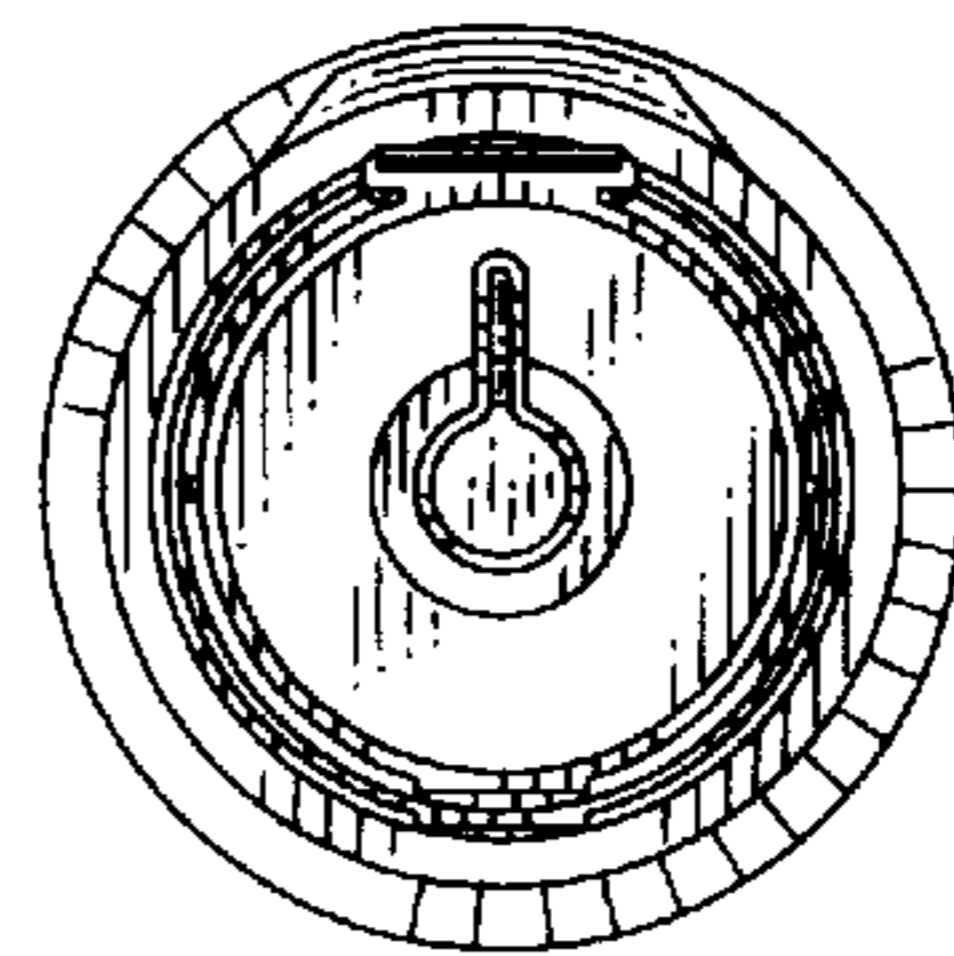


FIG. 6

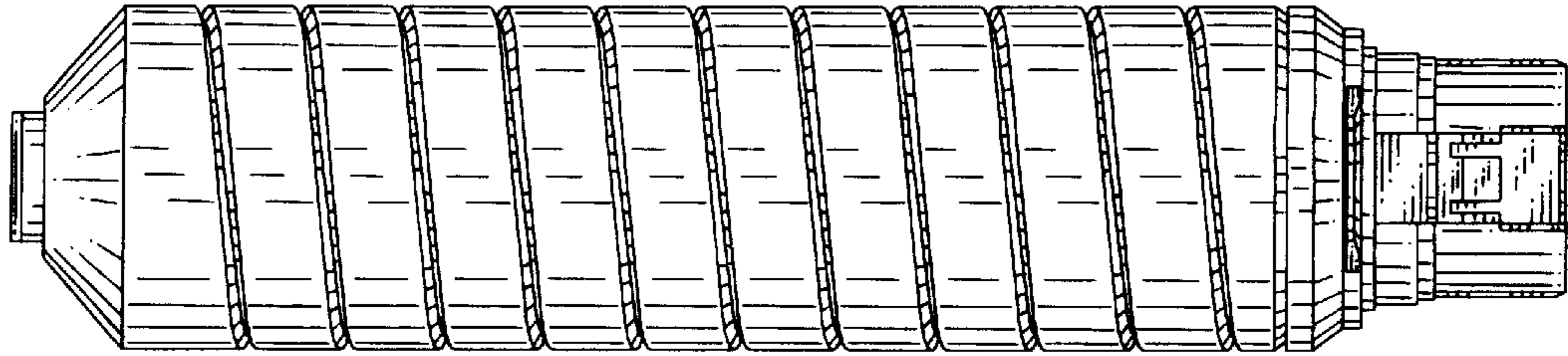


FIG. 7

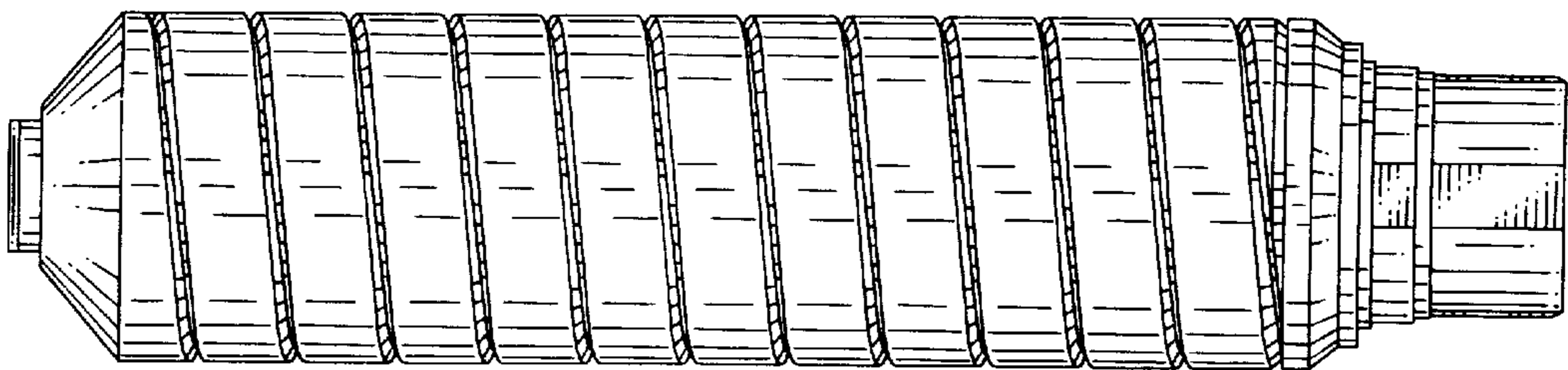


FIG. 8