



US00D472569S

(12) **United States Design Patent**  
**Schick**

(10) **Patent No.: US D472,569 S**

(45) **Date of Patent: \*\* Apr. 1, 2003**

(54) **SIGHTING DEVICE**

(75) Inventor: **Darin W. Schick**, Livonia, MI (US)

(73) Assignee: **Trijicon, Inc.**, Wixom, MI (US)

(\*\*) Term: **14 Years**

(21) Appl. No.: **29/162,499**

(22) Filed: **Jun. 17, 2002**

(51) **LOC (7) Cl. .... 16-06**

(52) **U.S. Cl. .... D16/132**

(58) **Field of Search** ..... D16/130, 132,  
D16/135, 200, 202; D22/108, 109; 356/252;  
359/350, 351, 353, 399, 400, 404, 419,  
407, 420

(56) **References Cited**

**U.S. PATENT DOCUMENTS**

2,780,130 A 2/1957 Mauer  
4,417,814 A 11/1983 Doliber

(List continued on next page.)

**FOREIGN PATENT DOCUMENTS**

WO WO97/00419 1/1997

*Primary Examiner*—Paula A. Mortimer

(74) *Attorney, Agent, or Firm*—Harness, Dickey & Pierce,  
P.L.C.

(57) **CLAIM**

The ornamental design for a sighting device, substantially as shown and described.

**DESCRIPTION**

FIG. 1 is a perspective view of a sighting device taken generally from the front upper end of the sighting device; FIG. 2 is a perspective view of the sighting device of FIG. 1 taken generally from the rear upper end of the sighting device;

FIG. 3 is a side elevational view of the sighting device of FIG. 1 showing the side opposite of the side shown in FIGS. 1 and 2;

FIG. 4 is a side elevational view of the sighting device of FIG. 1 of the side as shown in FIGS. 1 and 2 and opposite from the side shown in FIG. 3;

FIG. 5 is an end elevational view of the sighting device of FIG. 1 generally as seen in FIG. 2;

FIG. 6 is a front elevational view of the sighting device of FIG. 1 generally as seen in FIG. 1;

FIG. 7 is a top elevational view of the sighting device of FIG. 1; and

FIG. 8 is a bottom elevational view of the sighting device of FIG. 1;

FIG. 1a is a perspective view of a sighting device of a design modified from that of FIG. 1 and taken generally from the front upper end of the sighting device;

FIG. 2a is a perspective view of the sighting device of FIG. 1a taken generally from the rear upper end of the sighting device;

FIG. 3a is a side elevational view of the sighting device of FIG. 1a showing the side opposite of the side shown in FIGS. 1a and 2a;

FIG. 4a is a side elevational view of the sighting device of FIG. 1a of the side as shown in FIGS. 1a and 2a and opposite from the side shown in FIG. 3a;

FIG. 5a is an end elevational view of the sighting device of FIG. 1a generally as seen in FIG. 2a;

FIG. 6a is a front elevational view of the sighting device of FIG. 1a generally as seen in FIG. 1a;

FIG. 7a is a top elevational view of the sighting device of FIG. 1a; and

FIG. 8a is a bottom elevational view of the sighting device of FIG. 1a;

FIG. 1b is a perspective view of a sighting device of a design modified from that of FIGS. 1 and 1a and taken generally from the front upper end of the sighting device;

FIG. 2b is a perspective view of the sighting device of FIG. 1b taken generally from the rear upper end of the sighting device;

FIG. 3b is a side elevational view of the sighting device of FIG. 1b showing the side opposite of the side shown in FIGS. 1b and 2b;

FIG. 4b is a side elevational view of the sighting device of FIG. 1b of the side as shown in FIGS. 1b and 2b and opposite from the side shown in FIG. 3b;

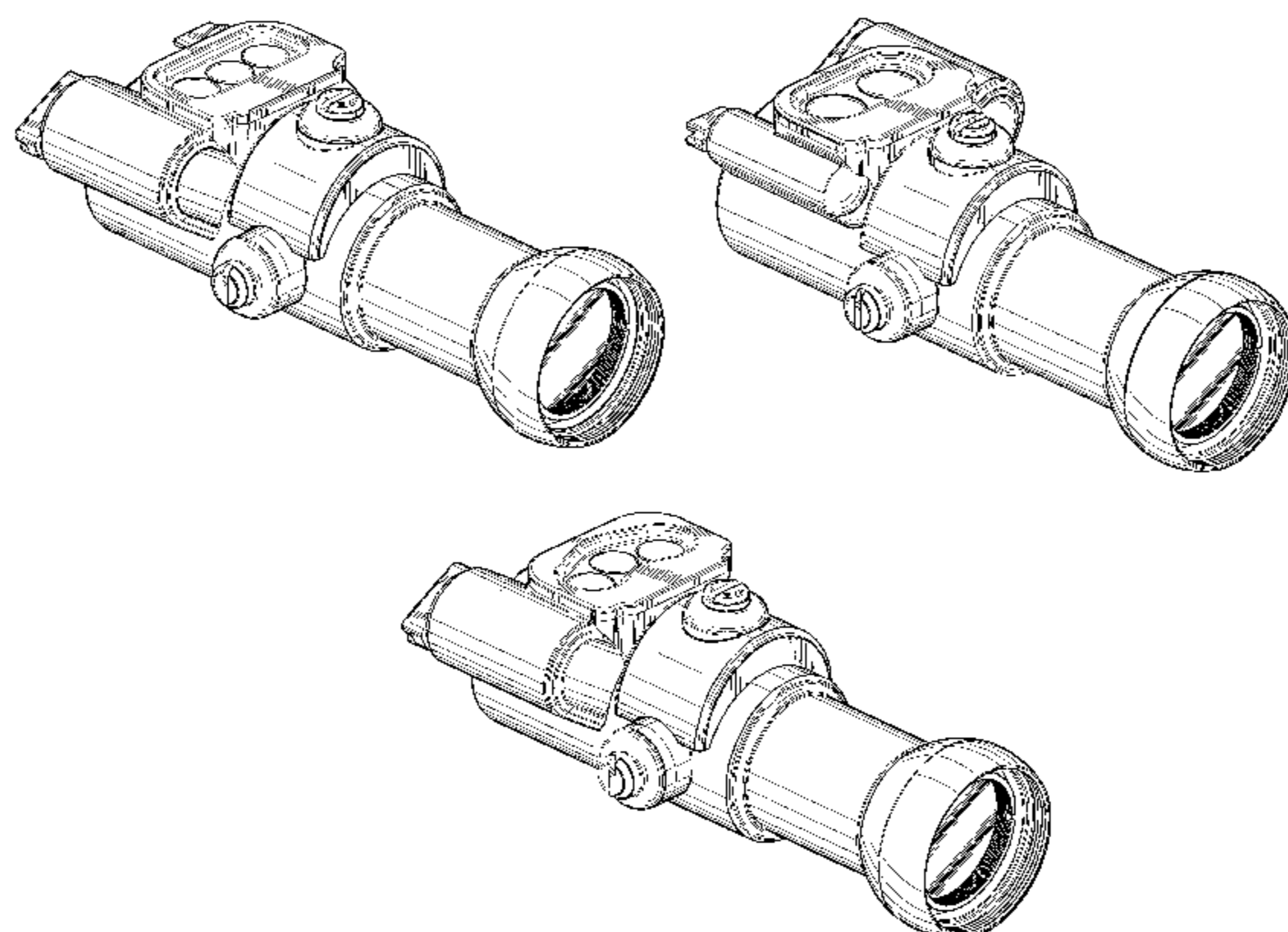
FIG. 5b is an end elevational view of the sighting device of FIG. 1b generally as seen in FIG. 2b;

FIG. 6b is a front elevational view of the sighting device of FIG. 1b generally as seen in FIG. 1b;

FIG. 7b is a top elevational view of the sighting device of FIG. 1b; and,

FIG. 8b is a bottom elevational view of the sighting device of FIG. 1b.

**1 Claim, 21 Drawing Sheets**



# US D472,569 S

Page 2

---

## U.S. PATENT DOCUMENTS

D287,977 S	*	1/1987	Cannon	.....	D16/132	D374,022 S	*	9/1996	Meinzer	.....	D16/132
4,665,622 A		5/1987	Idan			5,653,034 A		8/1997	Bindon		
4,764,011 A		8/1988	Goldstein			D395,440 S	*	6/1998	Ogasawara et al.	.....	D16/132
4,806,007 A		2/1989	Bindon			5,924,234 A		7/1999	Bindon et al.		
4,877,324 A		10/1989	Hauri et al.			D414,835 S		10/1999	Otterman et al.		
D312,089 S	*	11/1990	Jörlöv	.....	D16/132	D415,546 S		10/1999	Otterman et al.		
D344,531 S	*	2/1994	Nemoto	.....	D16/132	D416,972 S		11/1999	Otterman et al.		
D365,858 S	*	1/1996	Tomita	.....	D22/109	D420,718 S		2/2000	Otterman et al.		
D369,367 S	*	4/1996	Tomita	.....	D16/132	D439,259 S	*	3/2001	Yamaguchi	.....	D16/132

\* cited by examiner

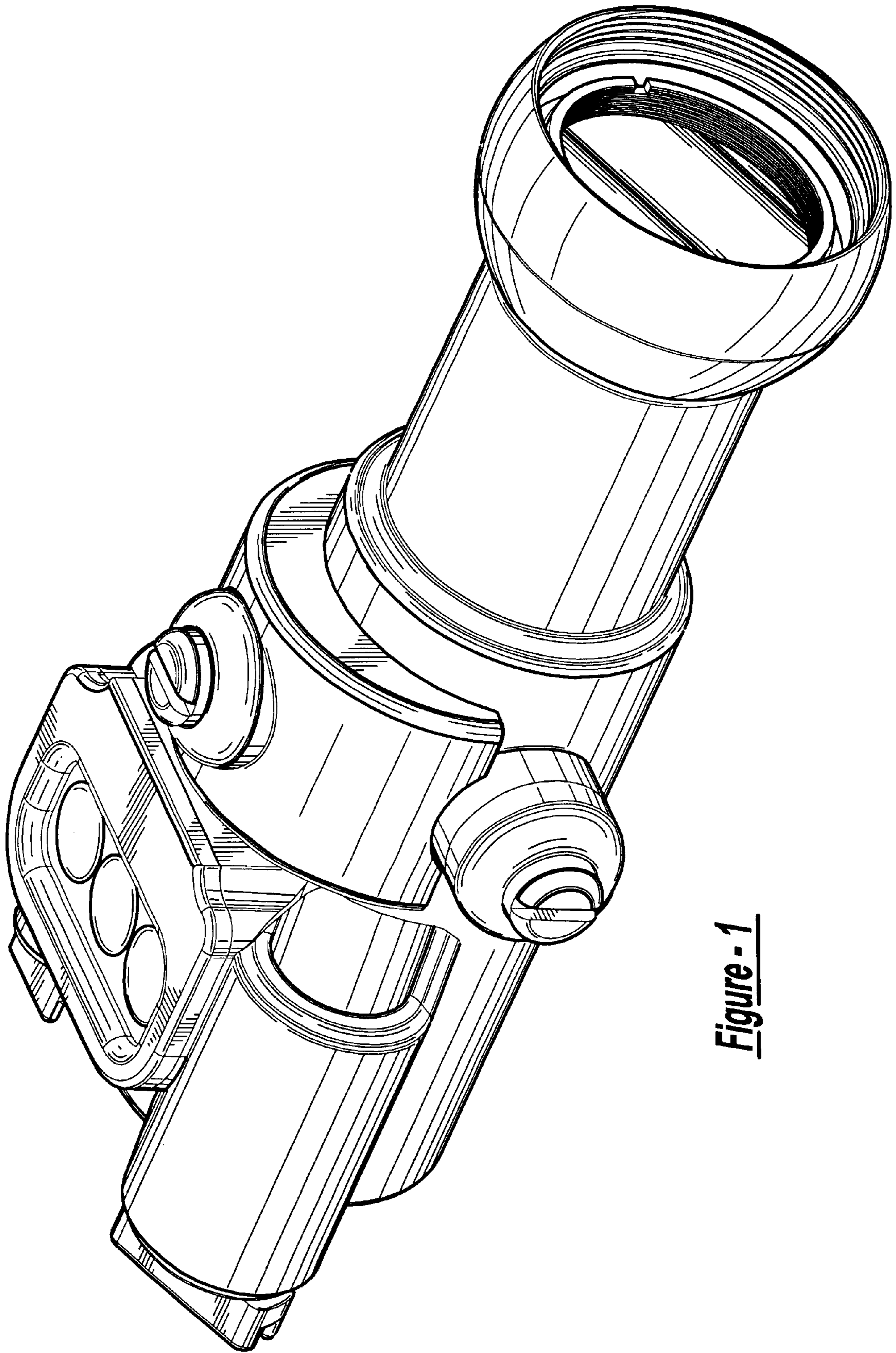


Figure - 1

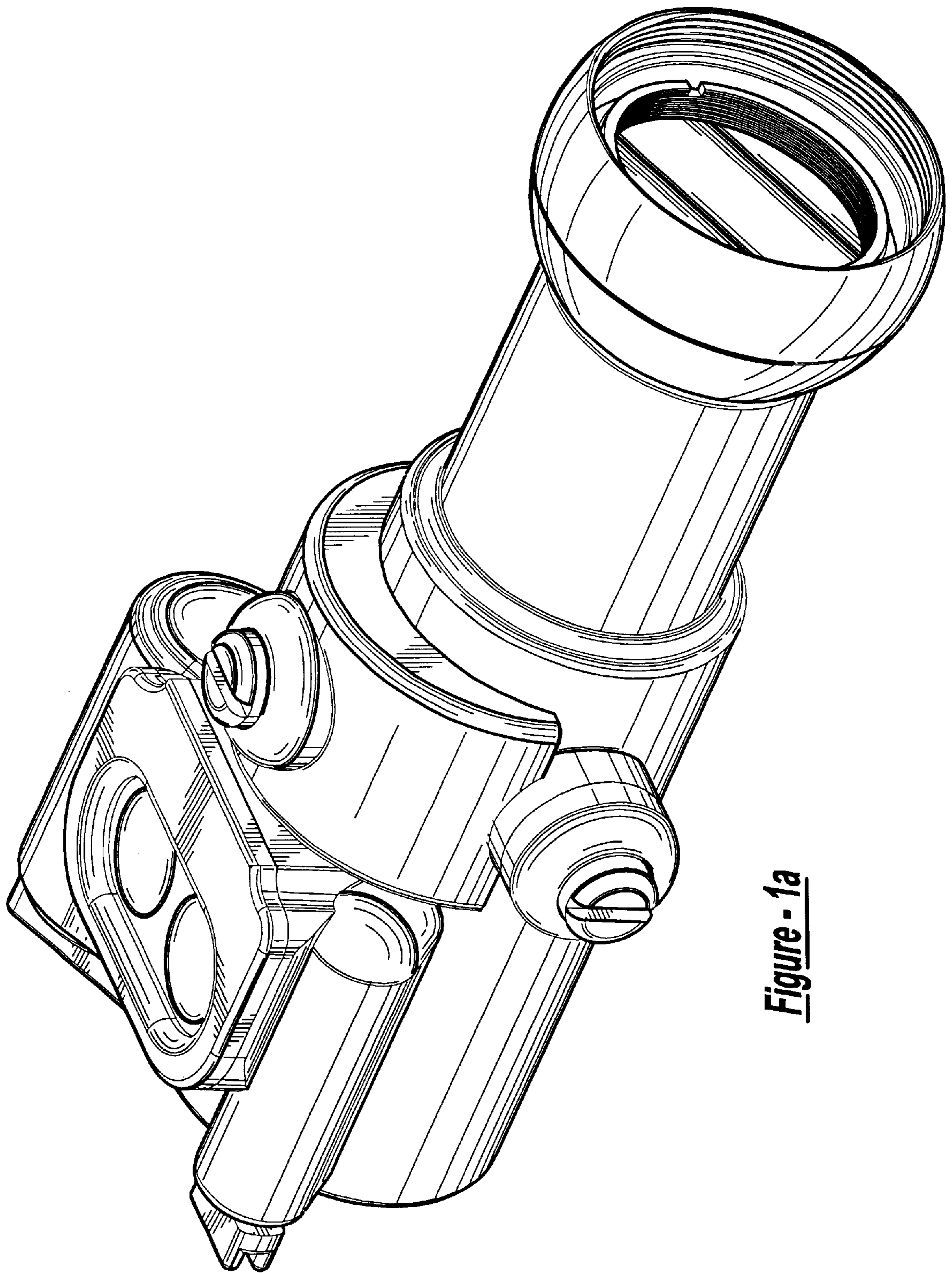


Figure - 1a

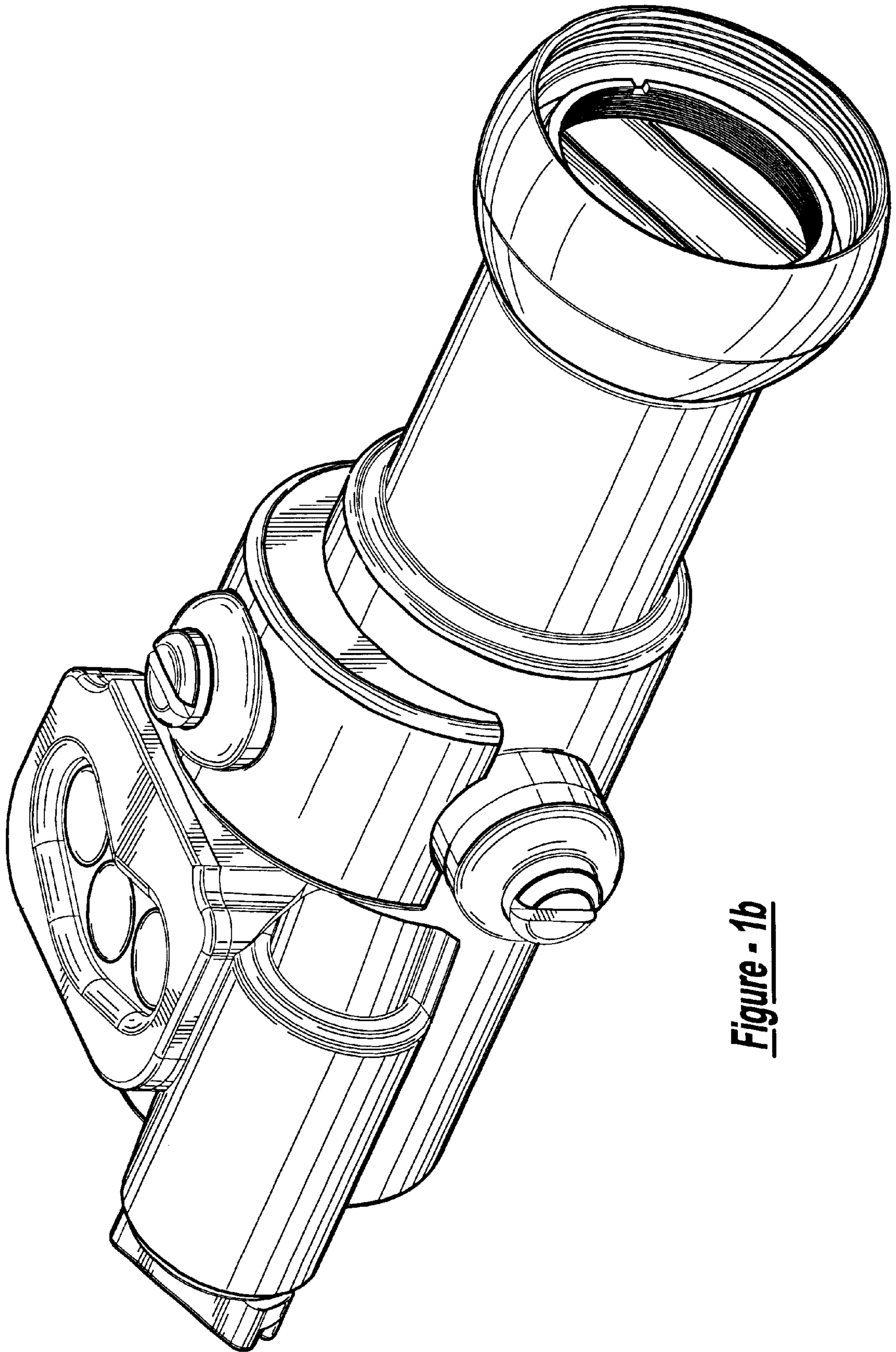


Figure - 1b

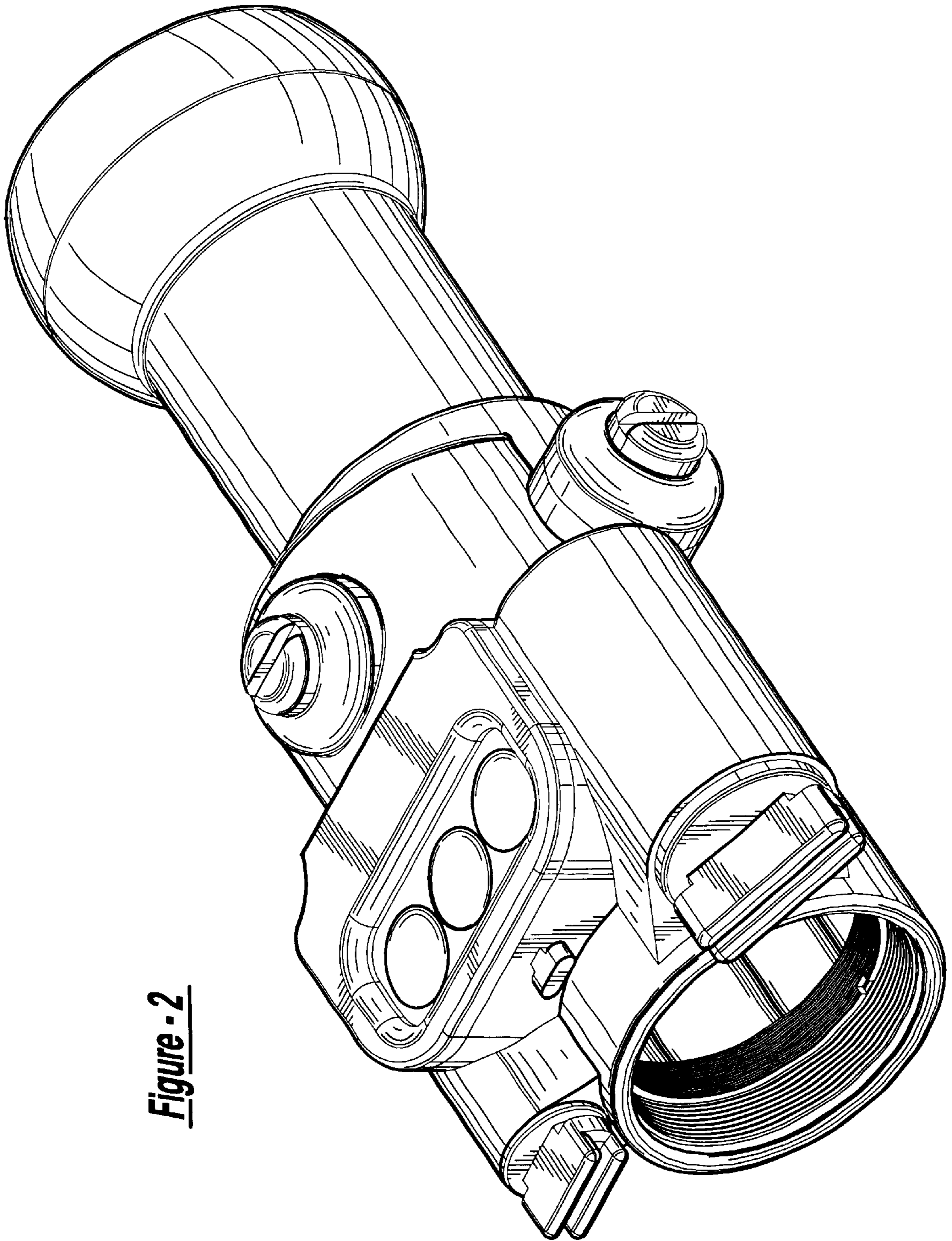


Figure - 2

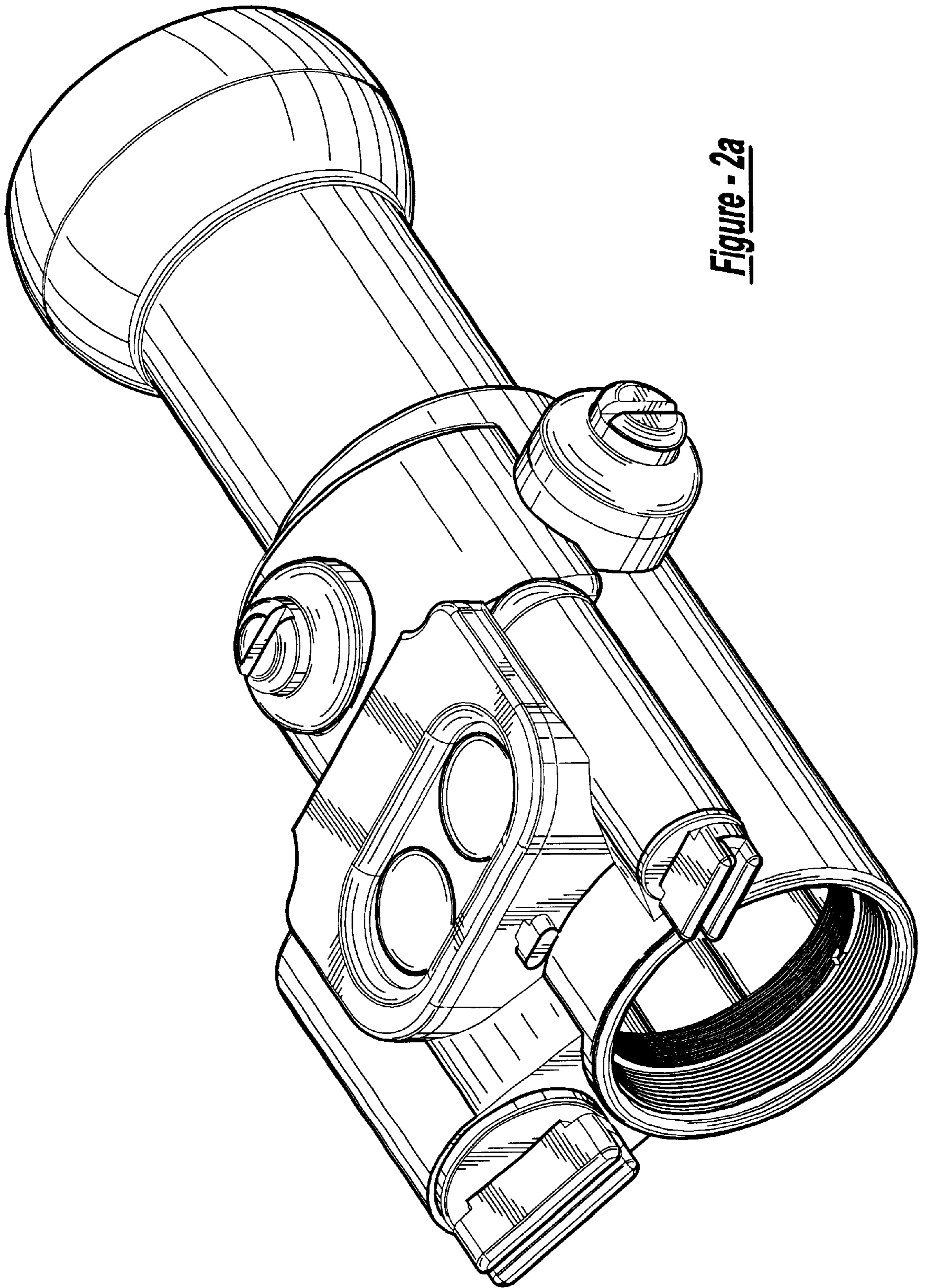


Figure - 2a

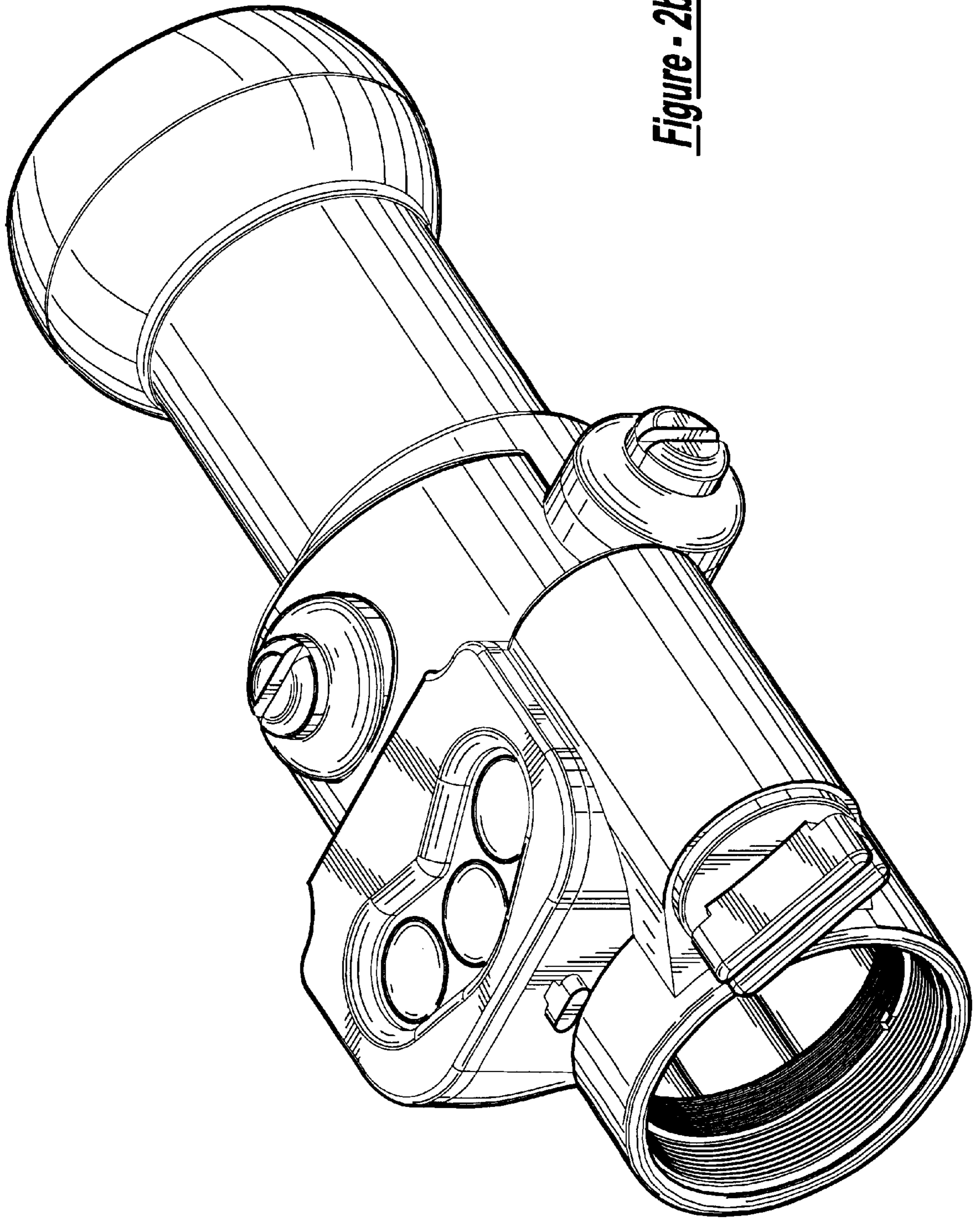


Figure - 2b



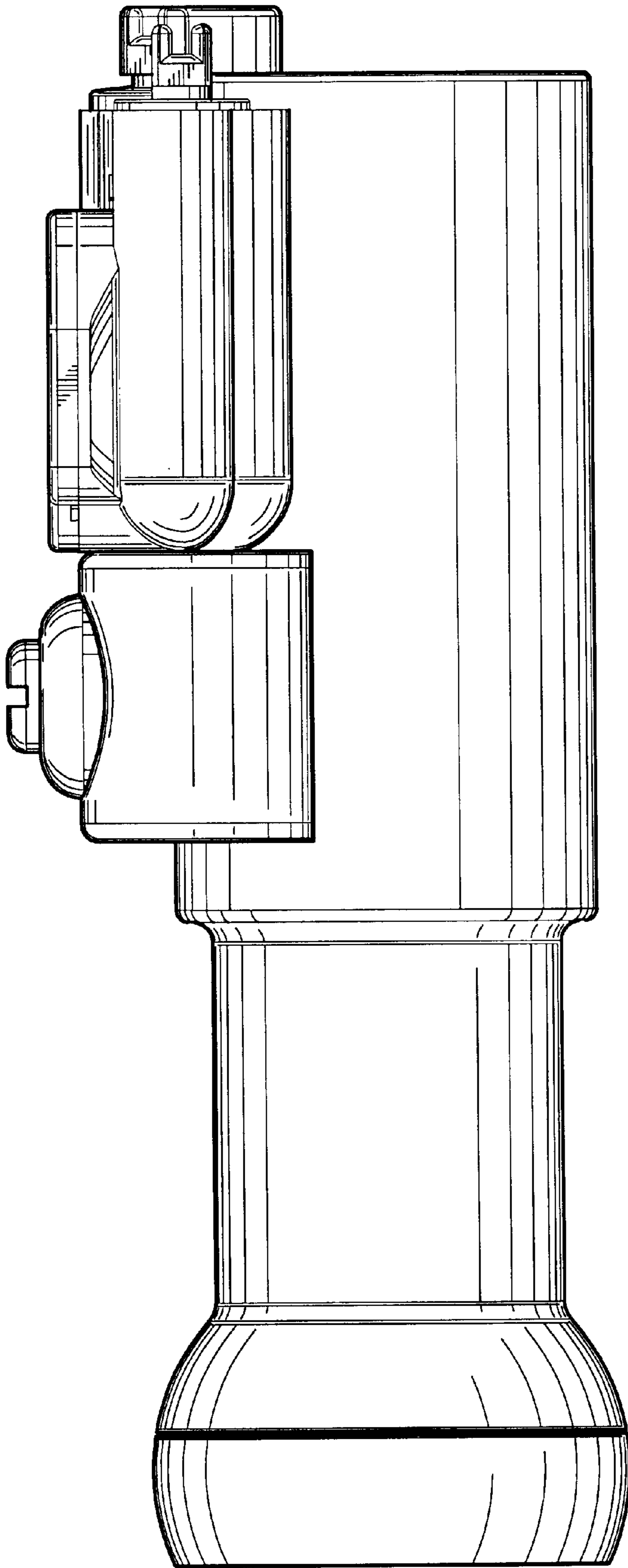


Figure - 3

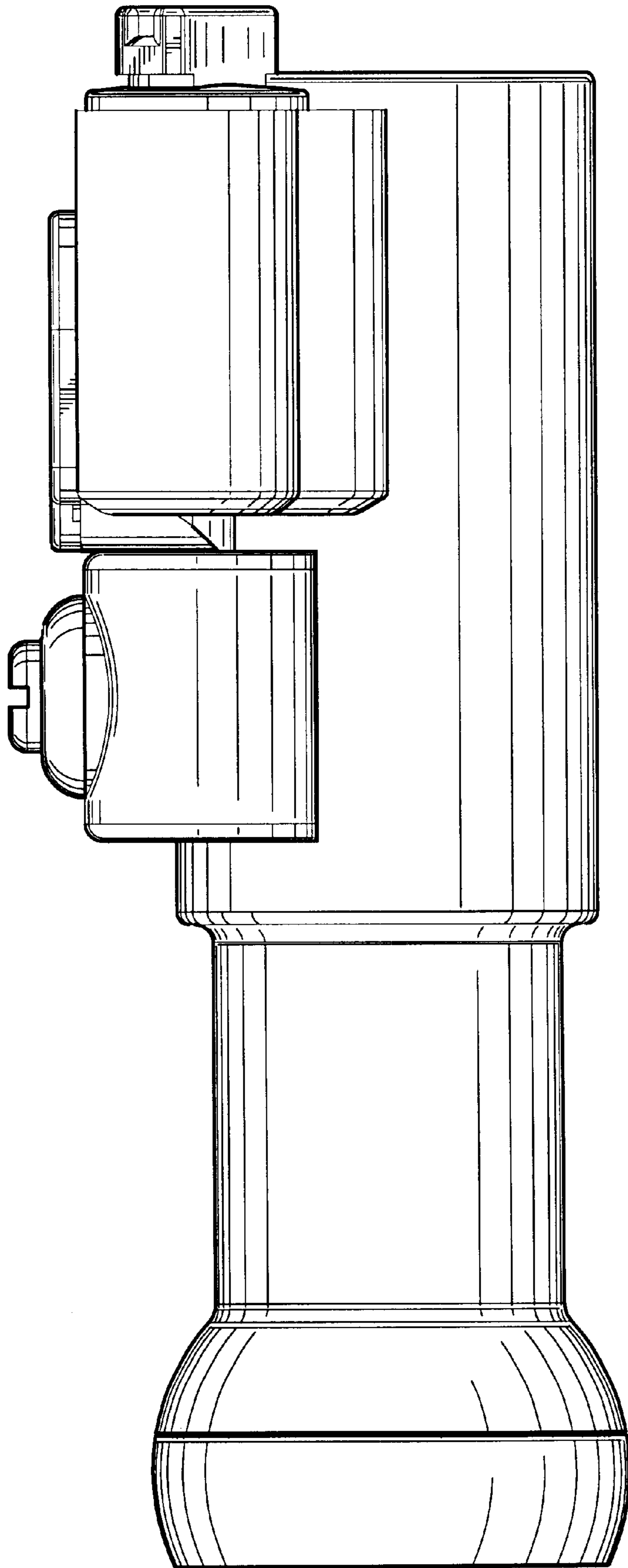


Figure - 3a

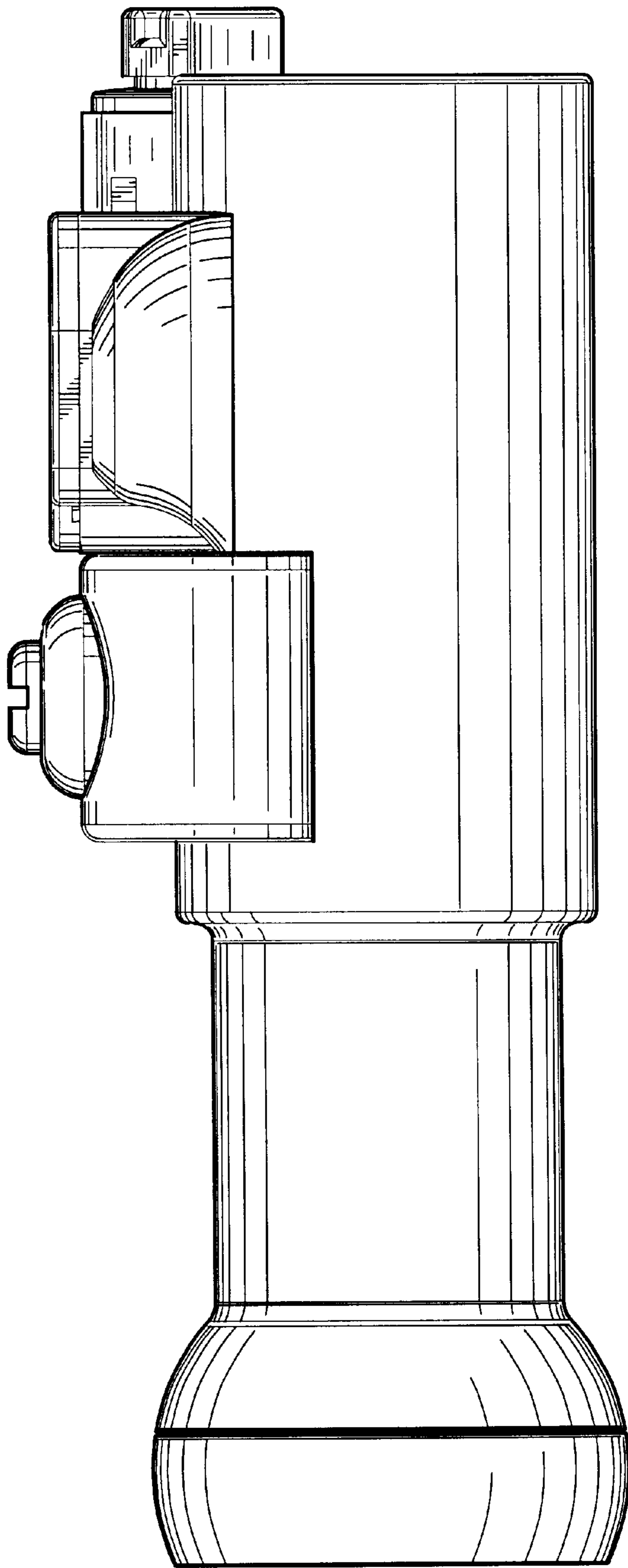


Figure - 3b

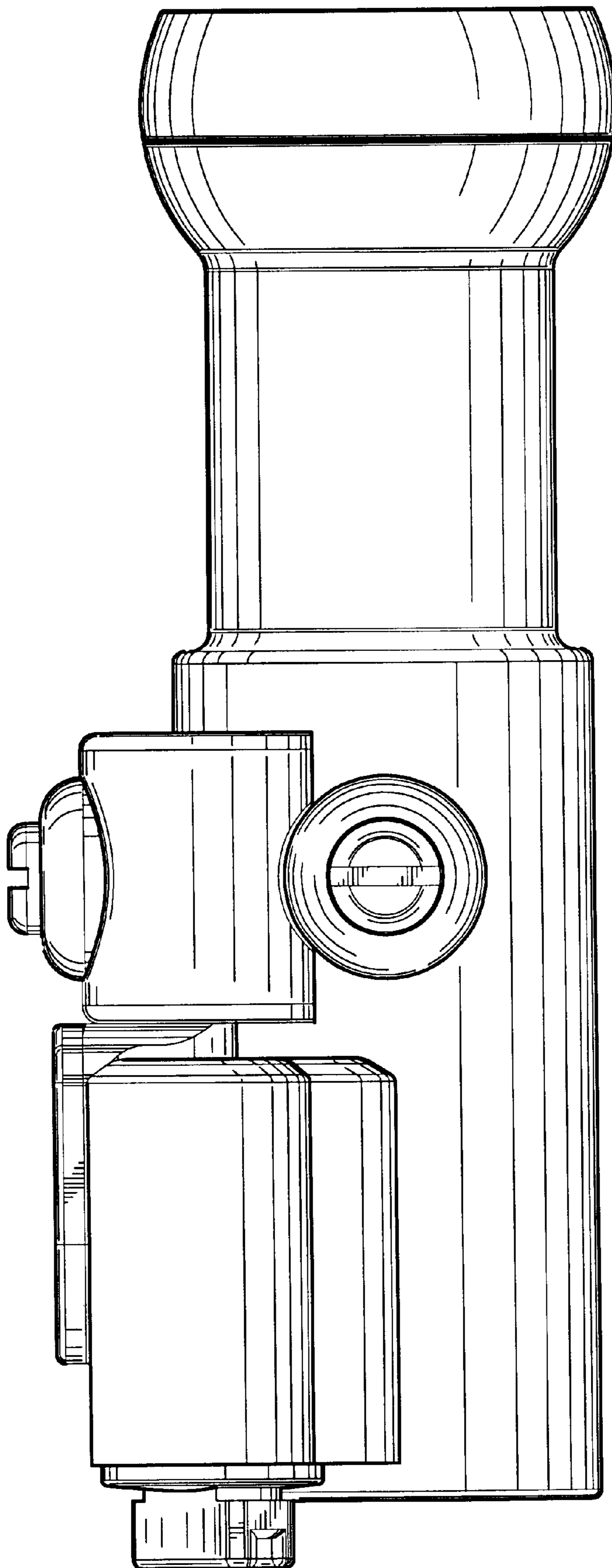


Figure - 4

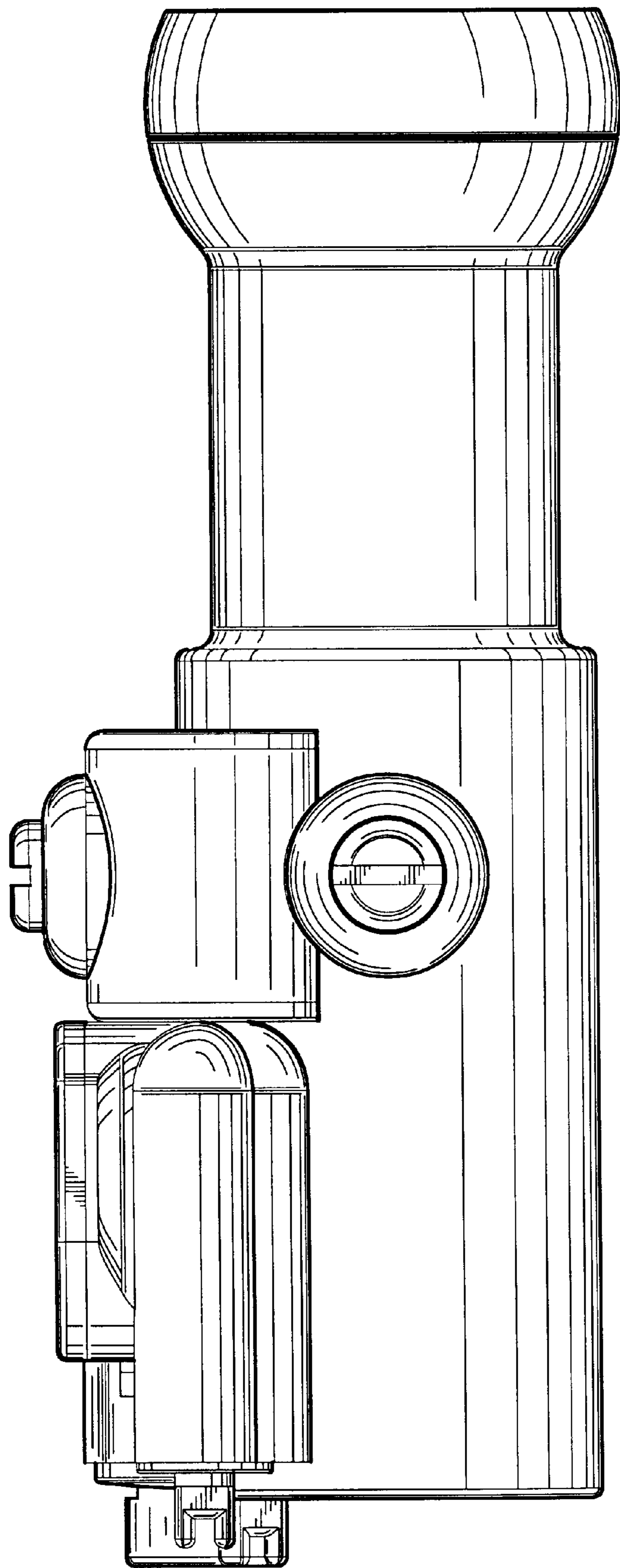


Figure - 4a

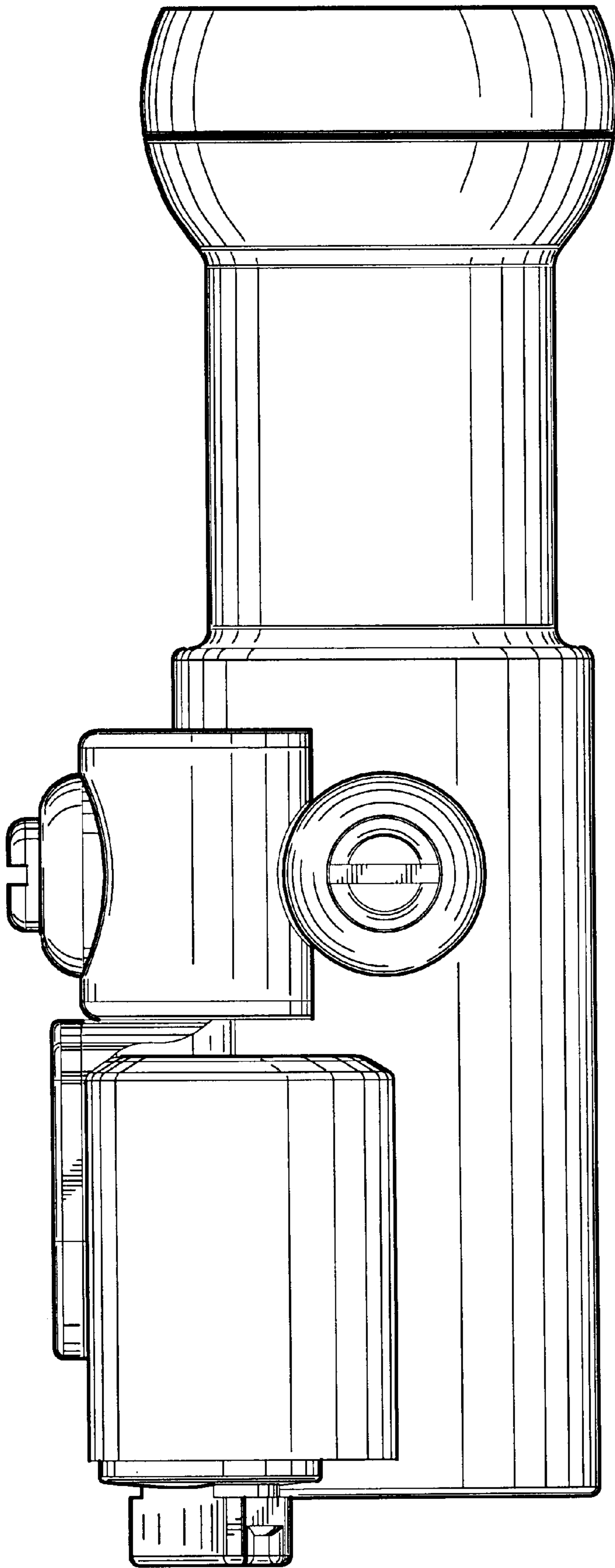


Figure - 4b

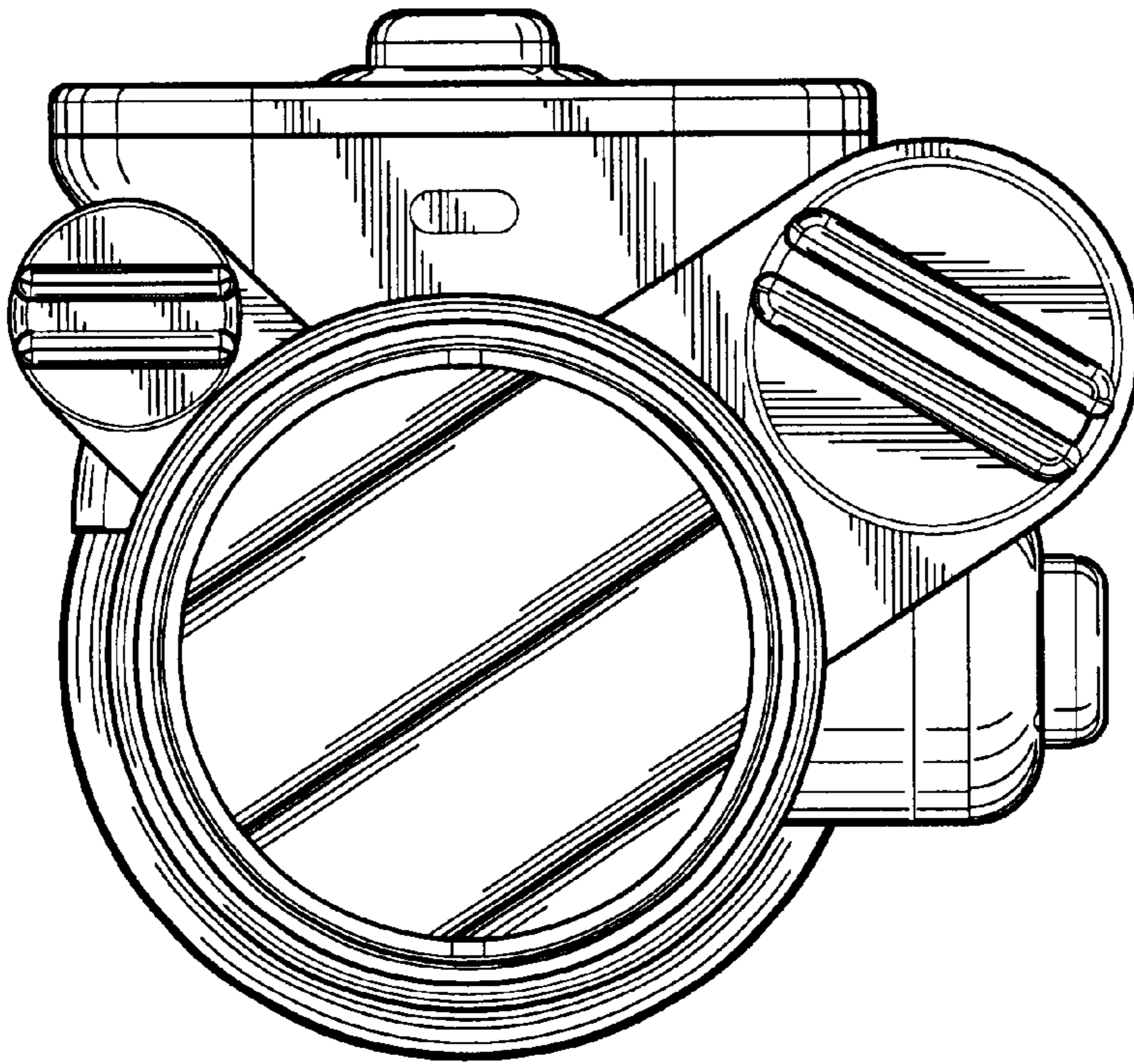


Figure - 5

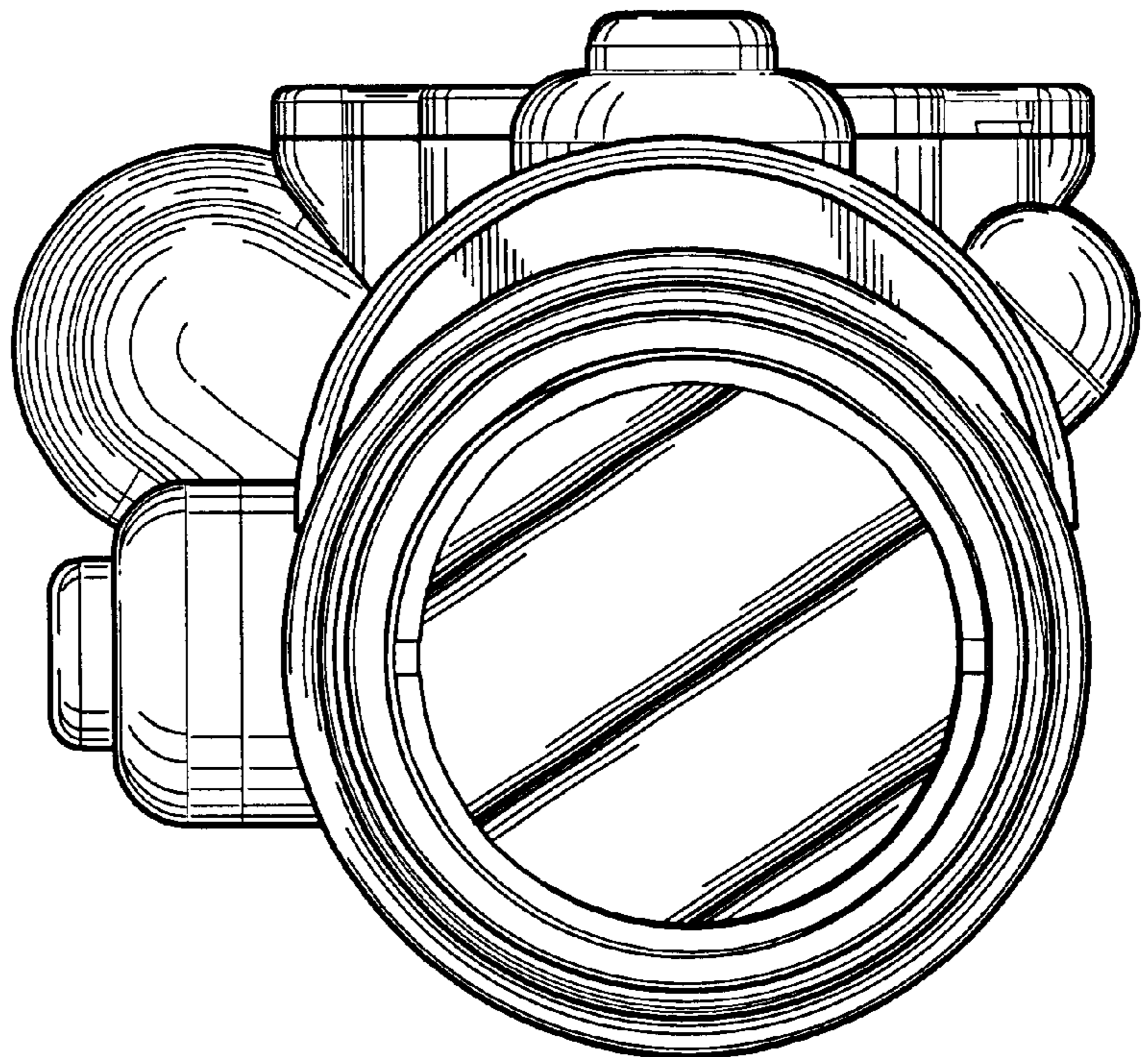


Figure - 6

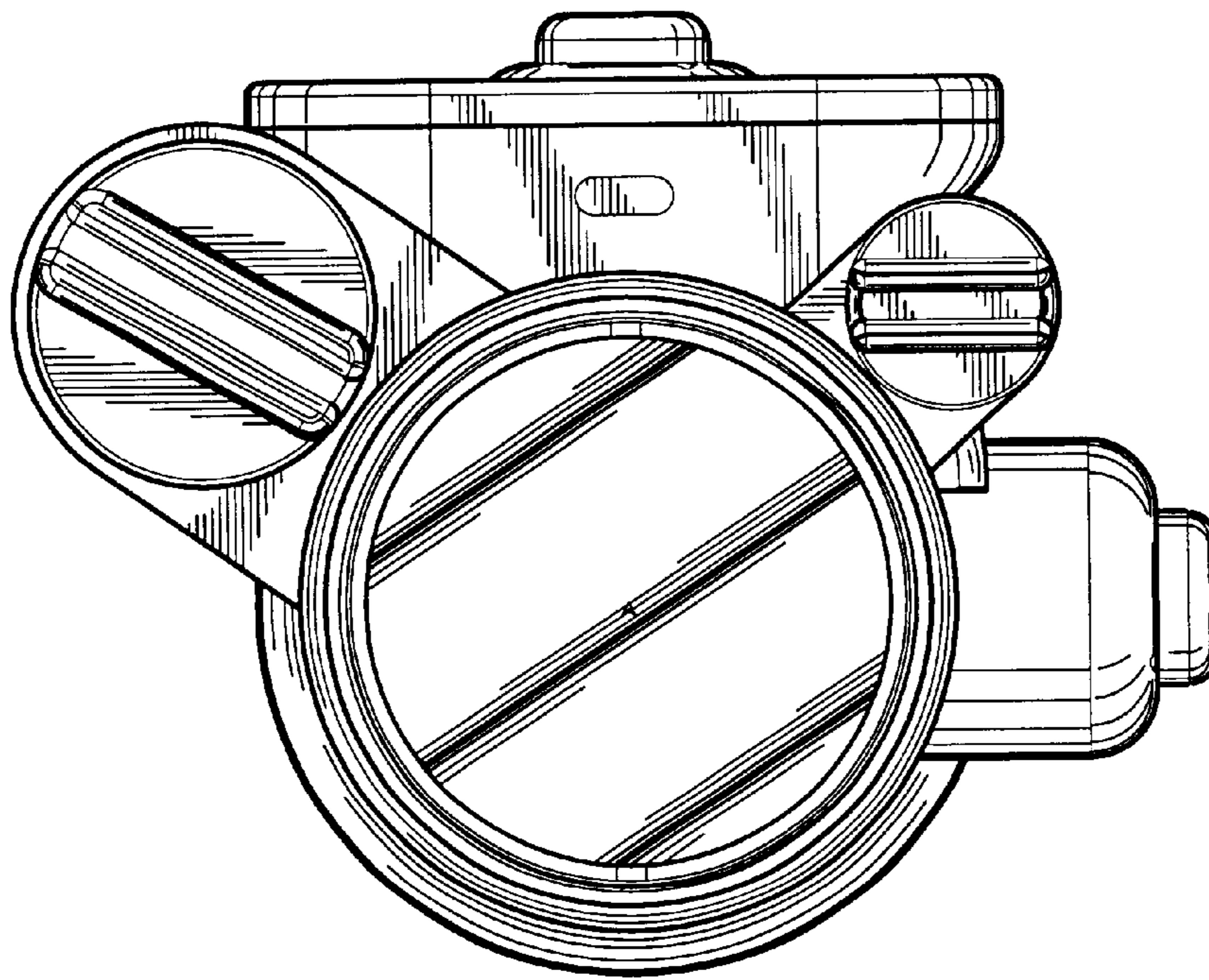
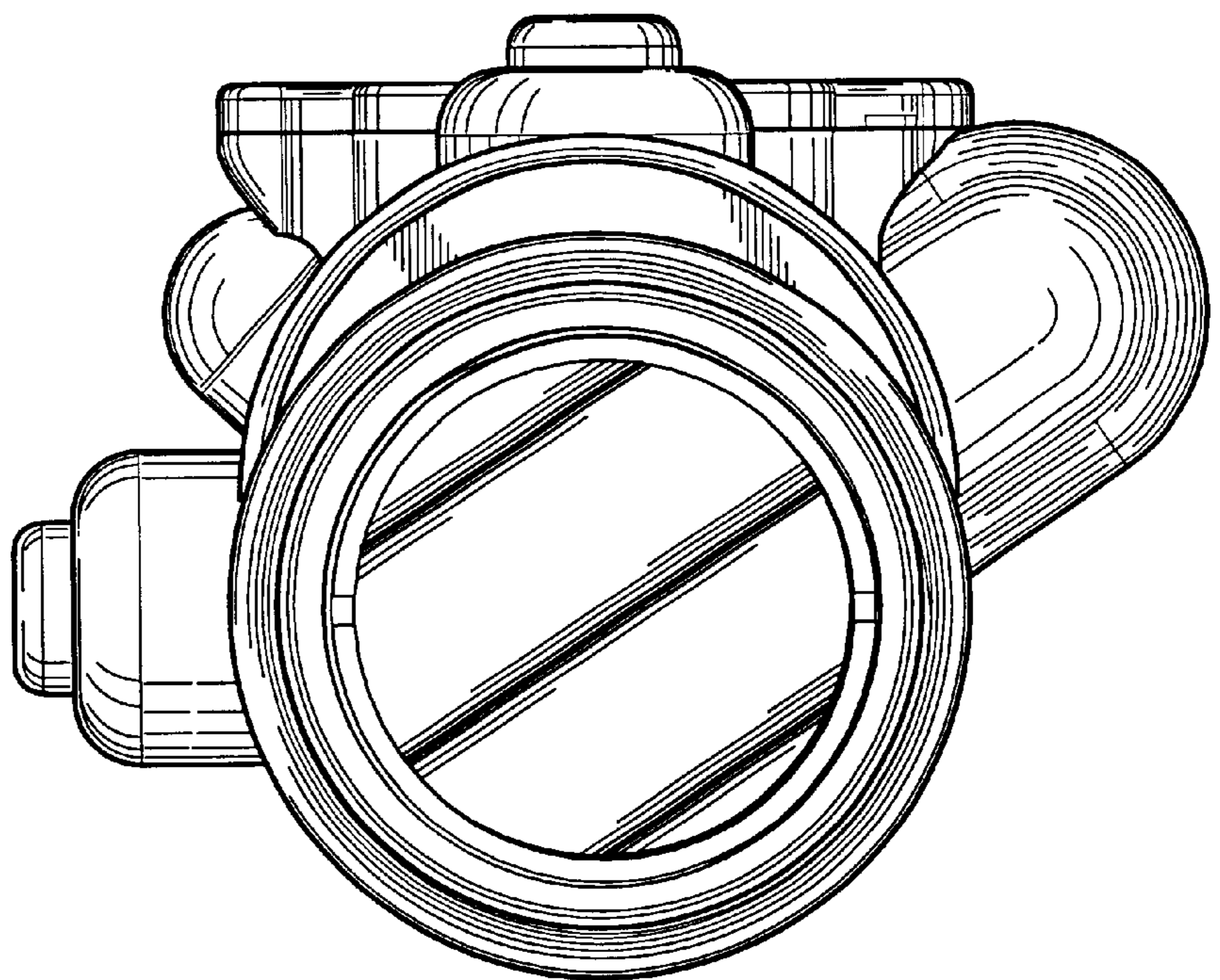


Figure - 5a

Figure - 6a





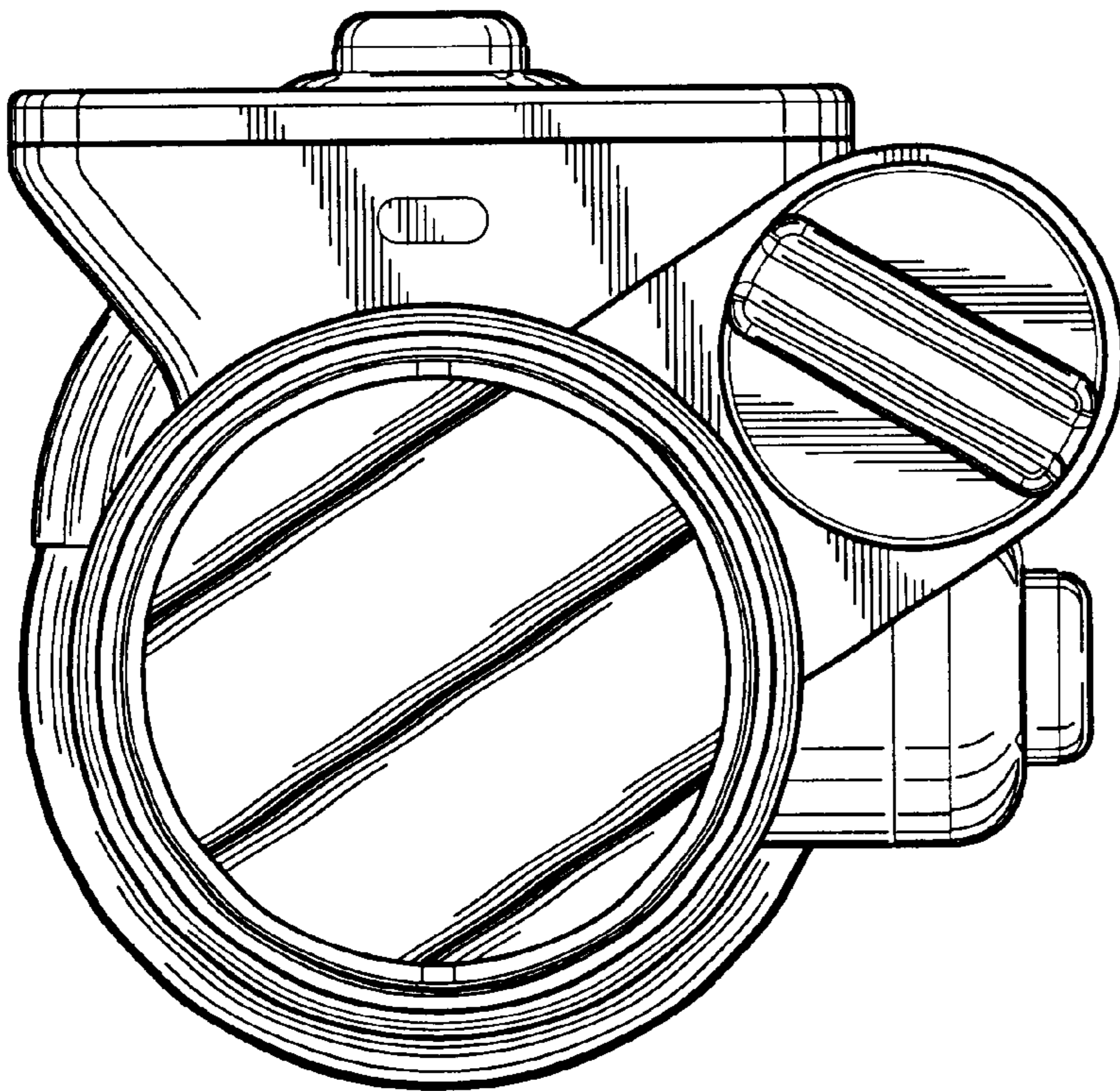


Figure - 5b

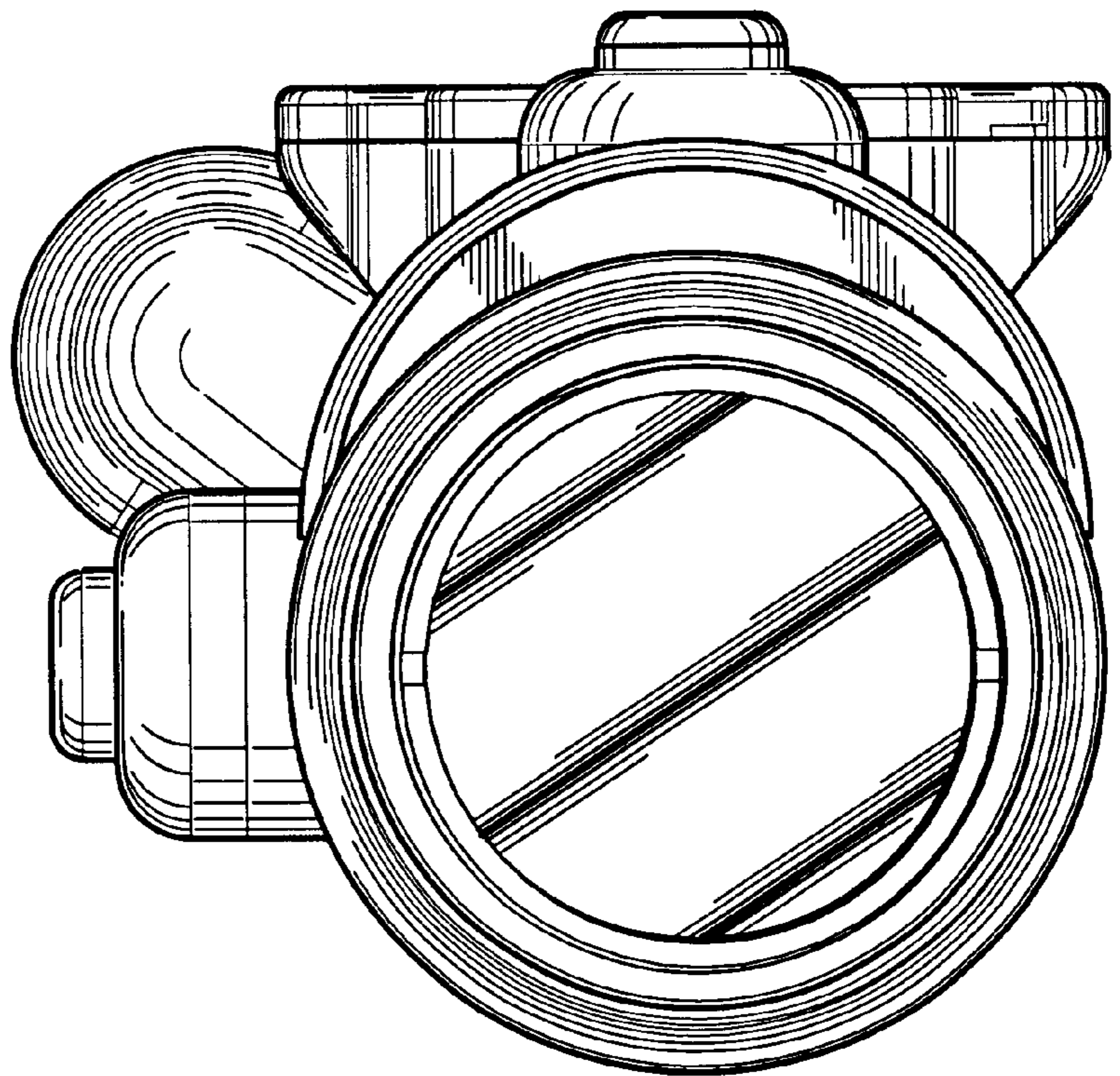


Figure - 6b

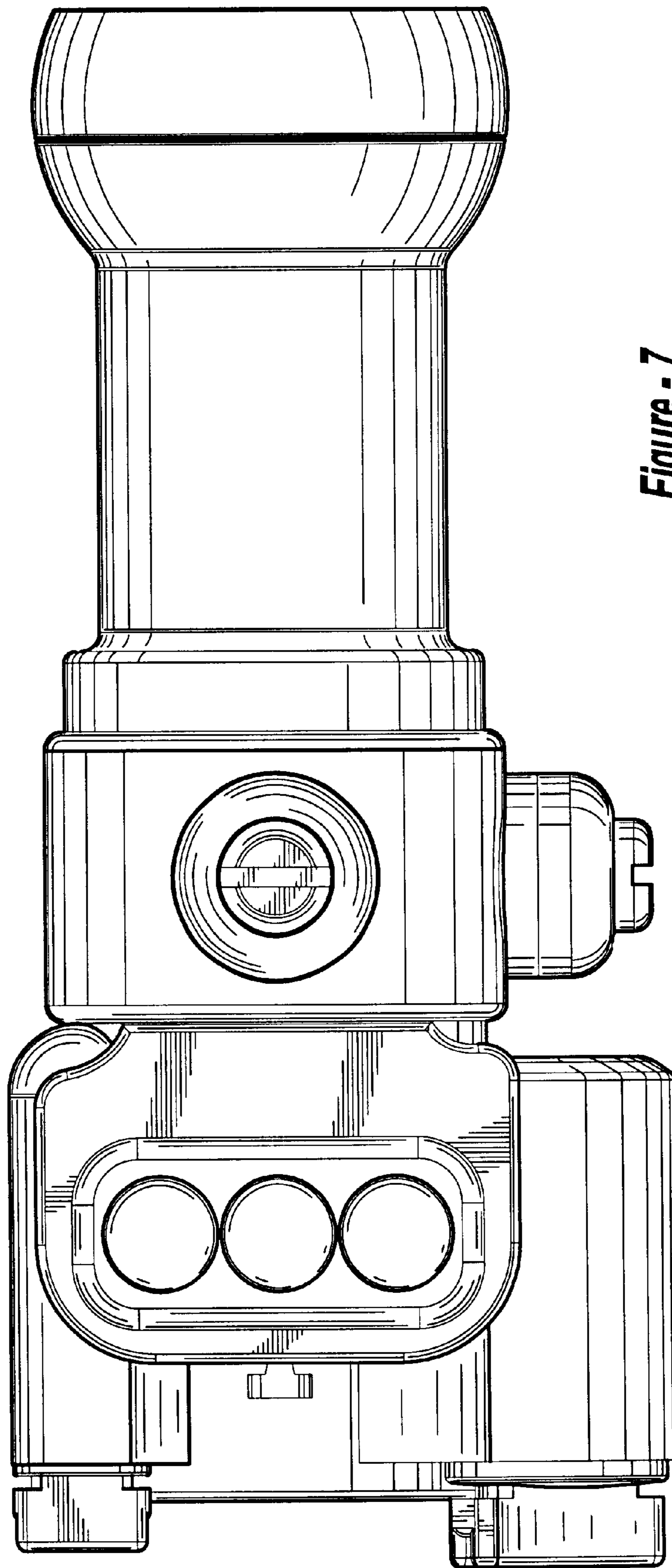


Figure - 7

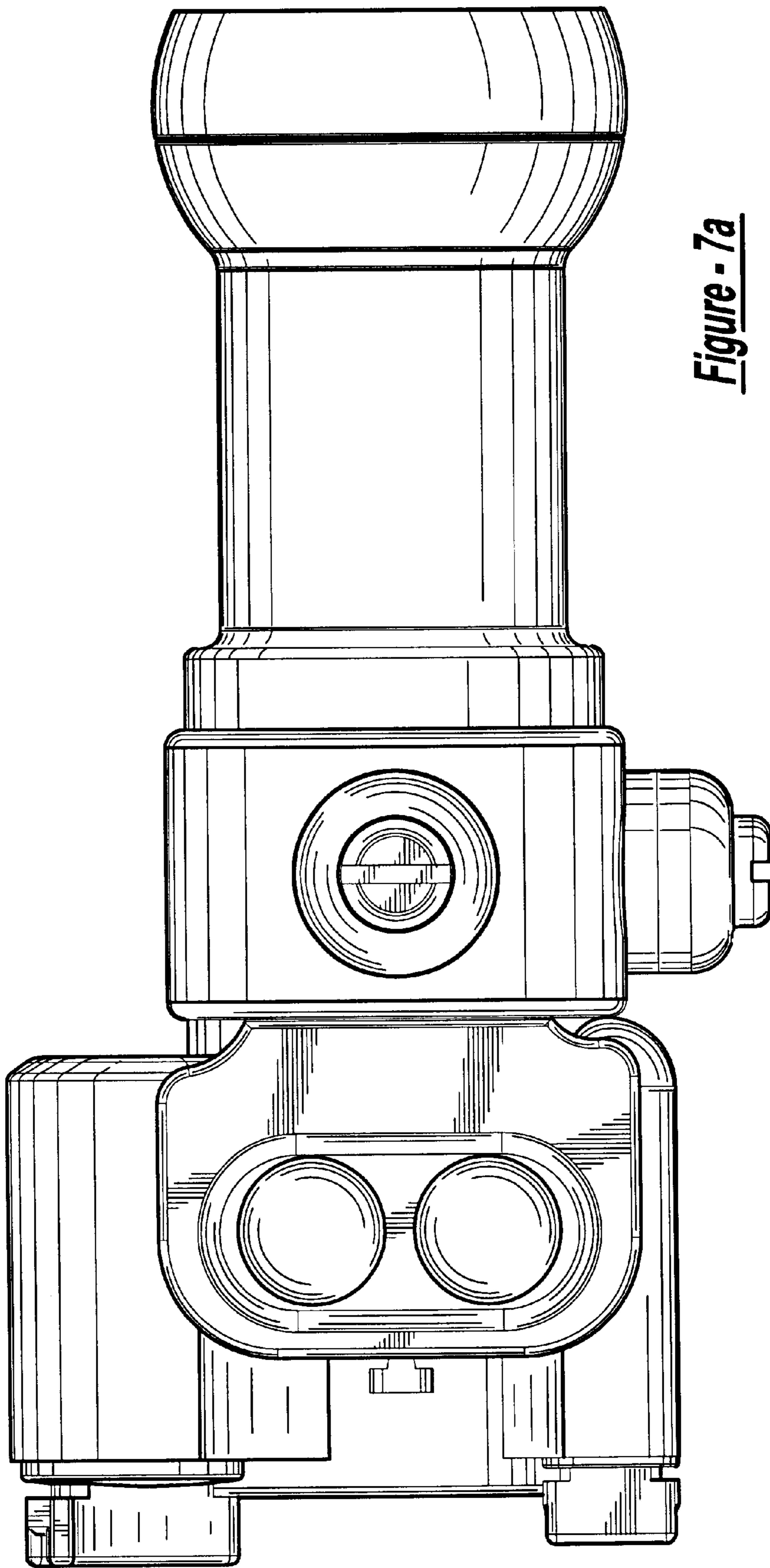
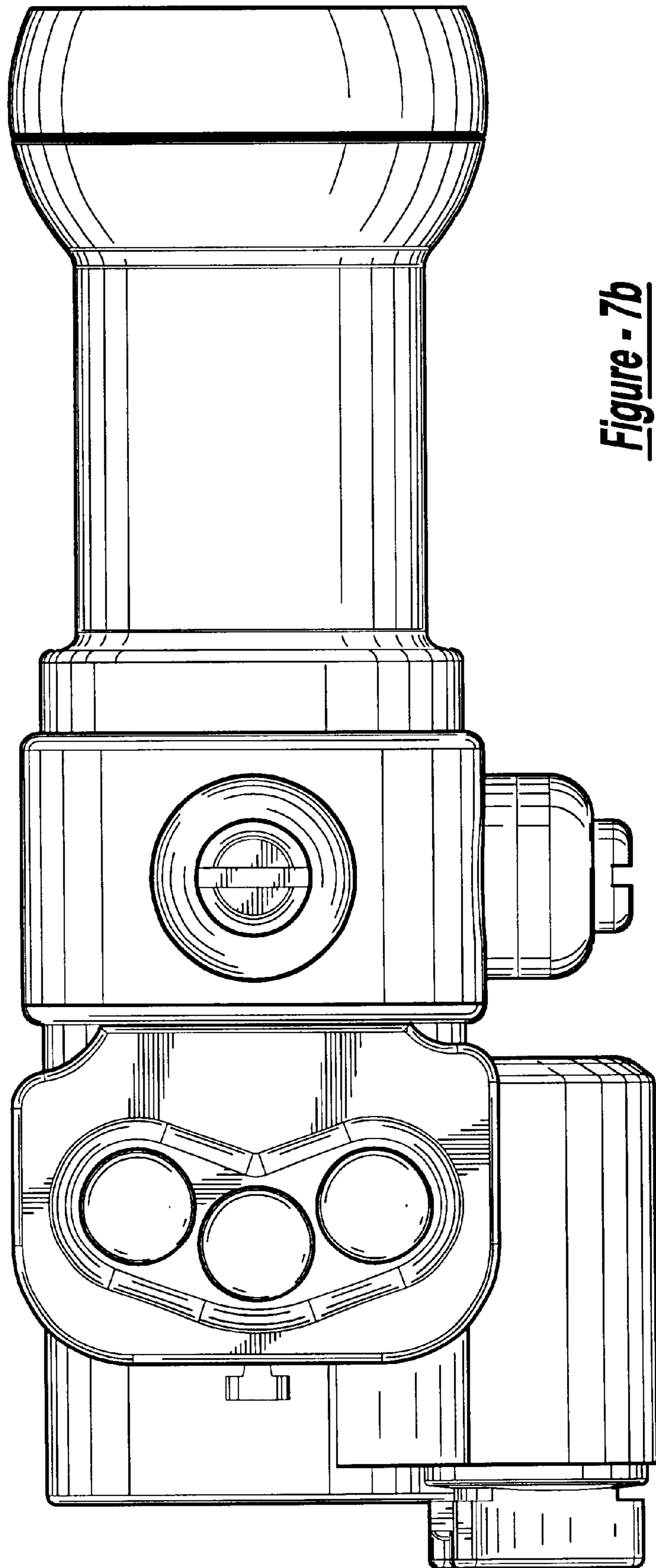


Figure - 7a



*Figure - 7b*

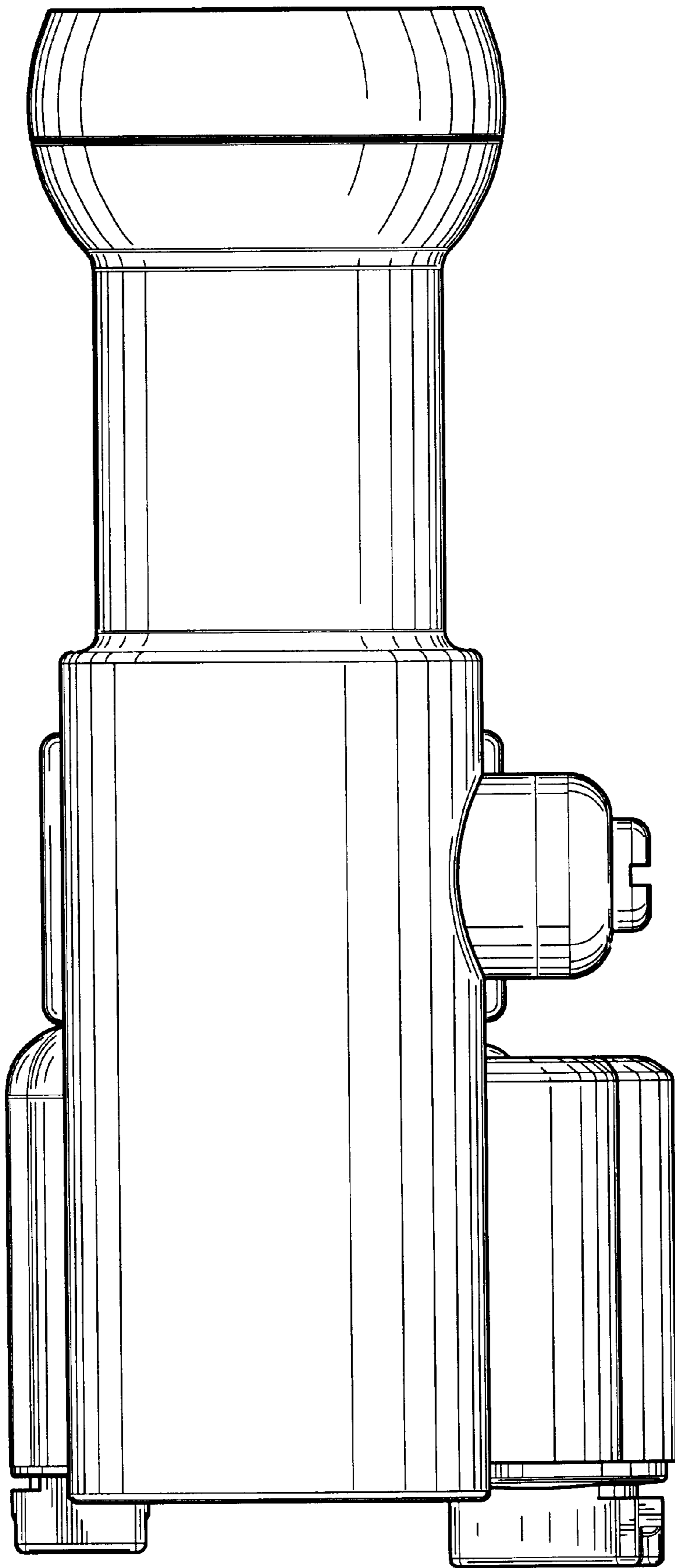
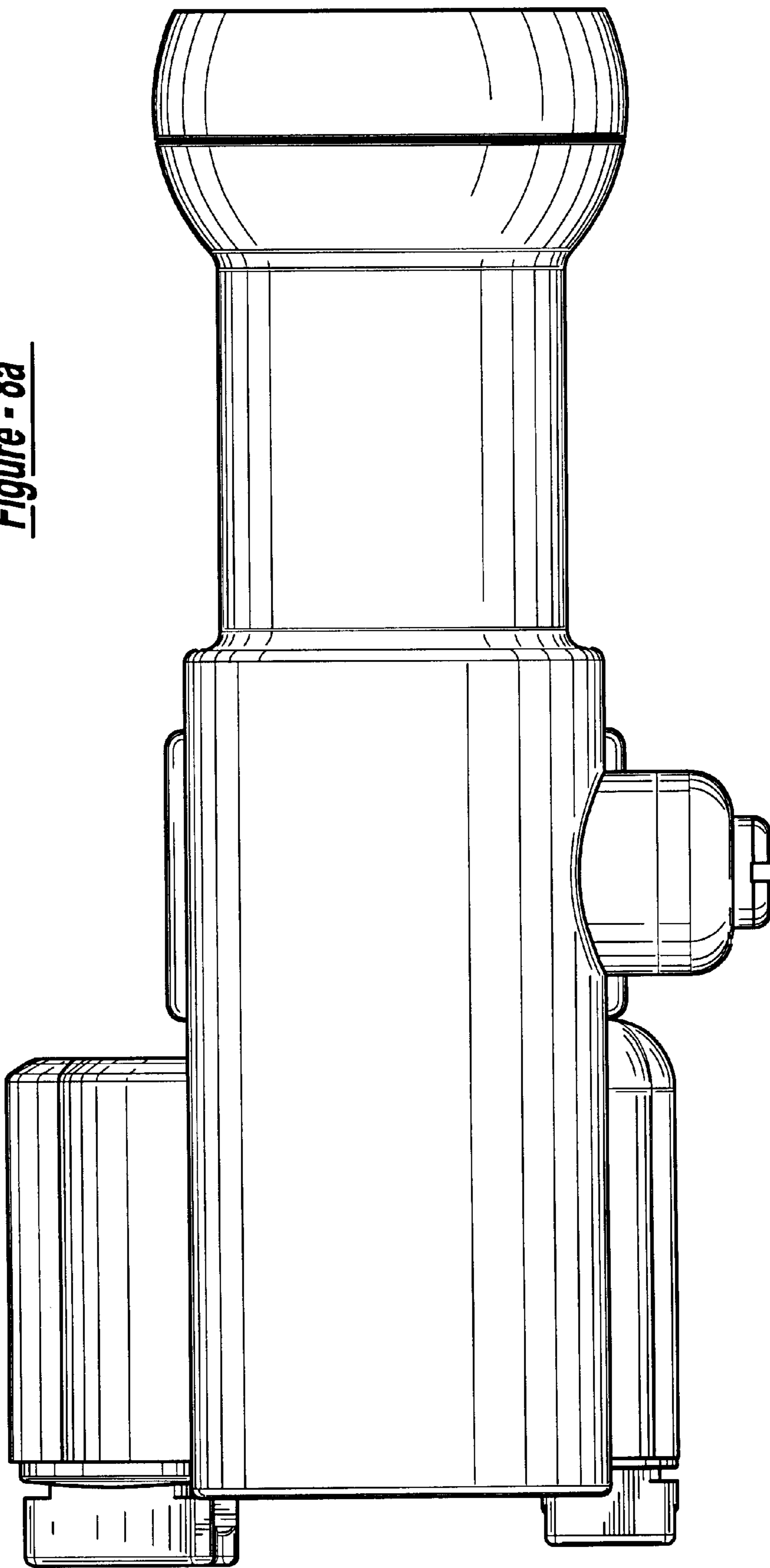


Figure - 8

Figure - 8a



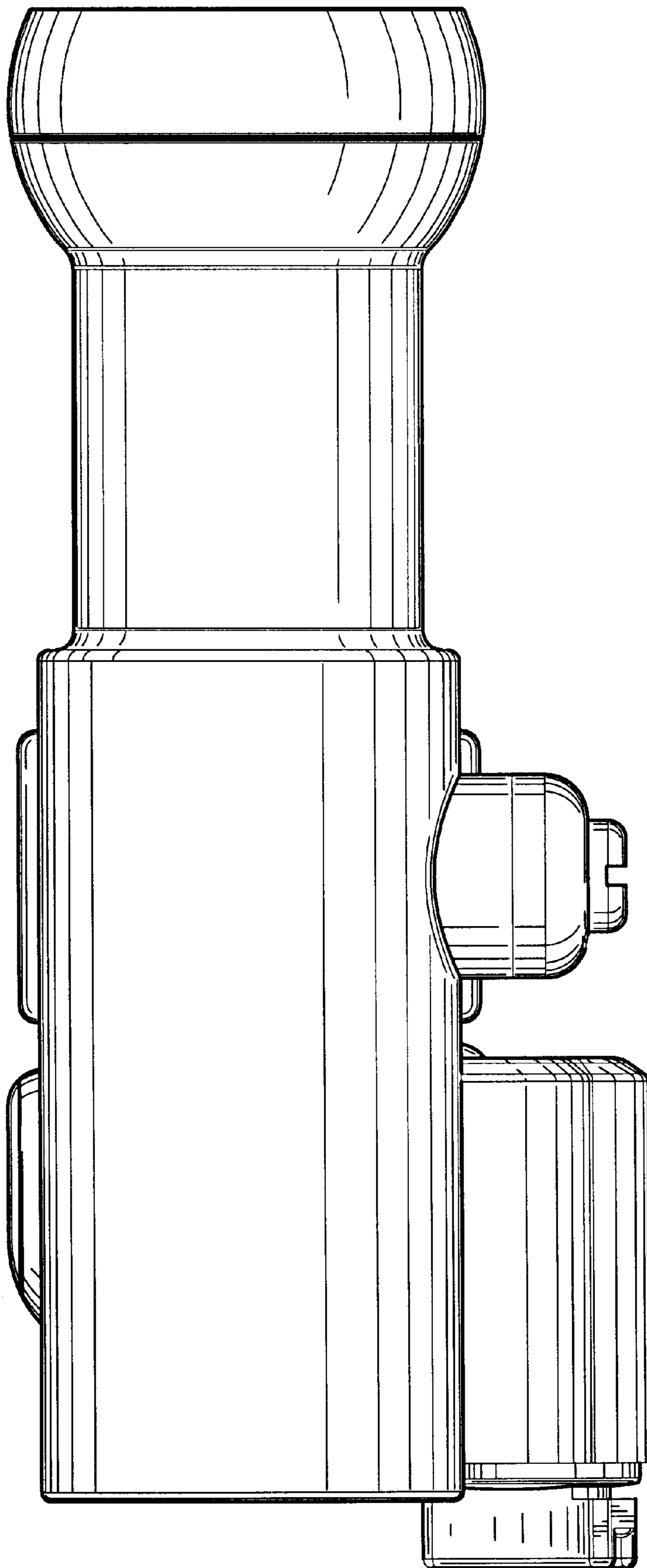


Figure - 8b