



US00D472567S

(12) **United States Design Patent**
Katbi et al.

(10) **Patent No.:** **US D472,567 S**

(45) **Date of Patent:** **** Apr. 1, 2003**

(54) **INDEXABLE CUTTING INSERT**

(75) Inventors: **Karl Katbi**, Troy, MI (US); **Brendan Brockett**, Dearborn Heights, MI (US); **Thomas J. Bernadic**, Madison Heights, MI (US)

(73) Assignee: **Valenite Inc.**, Madison Heights, MI (US)

(**) Term: **14 Years**

(21) Appl. No.: **29/156,100**

(22) Filed: **Feb. 25, 2002**

(51) **LOC (7) Cl.** **15-09**

(52) **U.S. Cl.** **D15/139**

(58) **Field of Search** D15/139; 407/114-117

(56) **References Cited**

U.S. PATENT DOCUMENTS

4,318,645 A 3/1982 McCreery
4,340,324 A * 7/1982 McCreery 407/114
5,044,840 A 9/1991 Fouquer et al.

FOREIGN PATENT DOCUMENTS

EP 031800 5/1989

* cited by examiner

Primary Examiner—Antoine Duval Davis

(74) *Attorney, Agent, or Firm*—Burns, Doane, Swecker & Mathis, LLP

(57) **CLAIM**

The ornamental design of an indexable cutting insert, as shown and described.

DESCRIPTION

FIG. 1 is a three dimensional view of a cutting insert illustrating the design.

FIG. 2 is the top view of the insert of FIG. 1.

FIG. 3 is a partial sectional view taken along line 3—3 of FIG. 2; and,

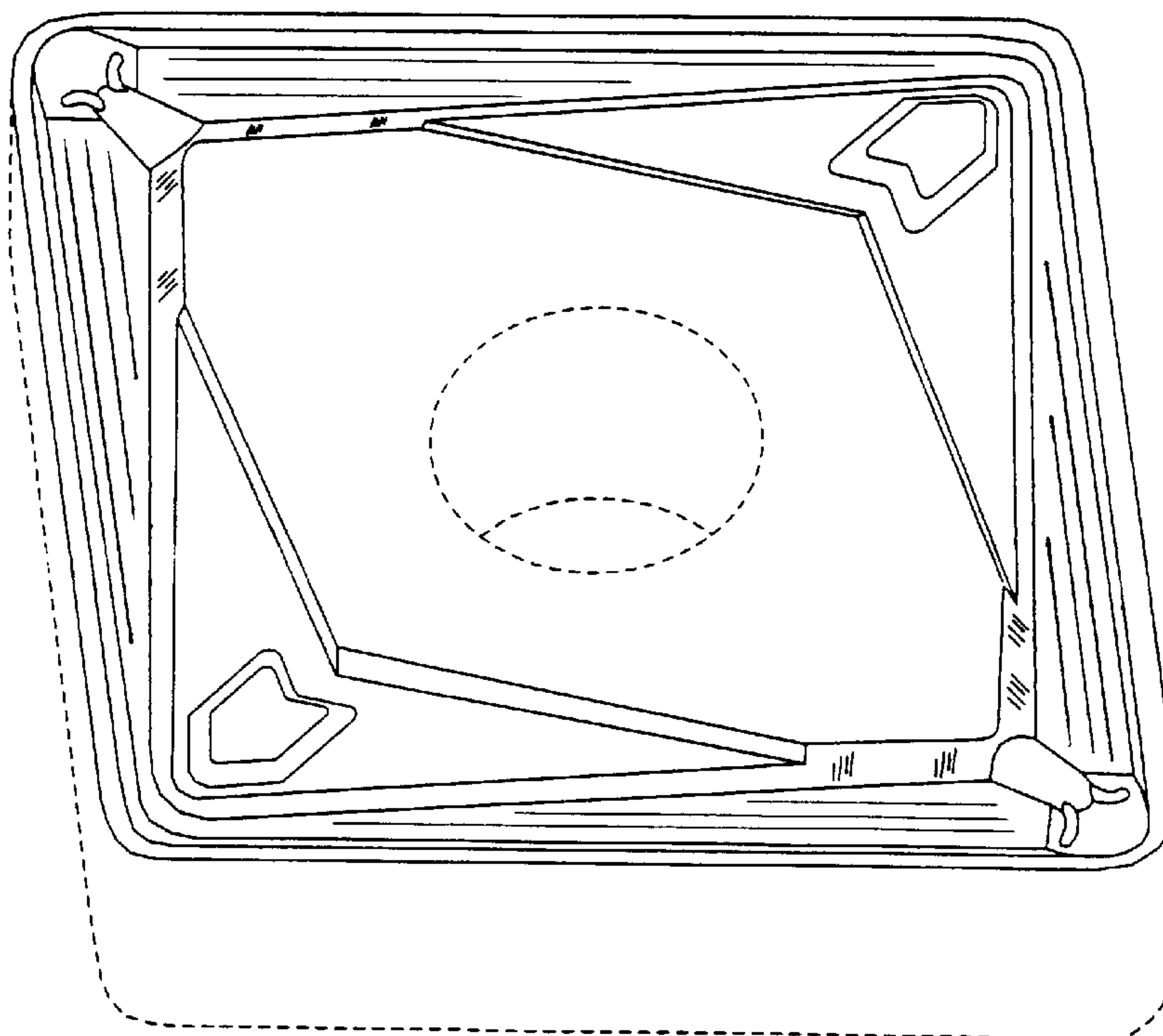
FIG. 4 is a partial sectional view taken along line 4—4 of FIG. 2.

In FIG. 1, dashed lines represent the outline of the body of an insert constituting environment to which the design is applied and a mounting hole through the insert body. The representations of the dashed lines form no part of the claimed design.

In FIG. 3, the partial section depicts the insert body as viewed in the direction of the arrowheads of line 3—3 of FIG. 2, the sinuous vertical curve marking the boundary of the partial section of FIG. 3. Contours defined by the claimed design are shown in the partial section of FIG. 3 as the outline of the top of the section.

In FIG. 4, the partial section depicts the insert body as viewed in the direction of the arrowheads of line 4—4 of FIG. 2, the sinuous vertical curve marking the boundary of the partial section of FIG. 4. Contours defined by the claimed design are shown in the partial section of FIG. 4 as the outline of the top of the section.

1 Claim, 2 Drawing Sheets



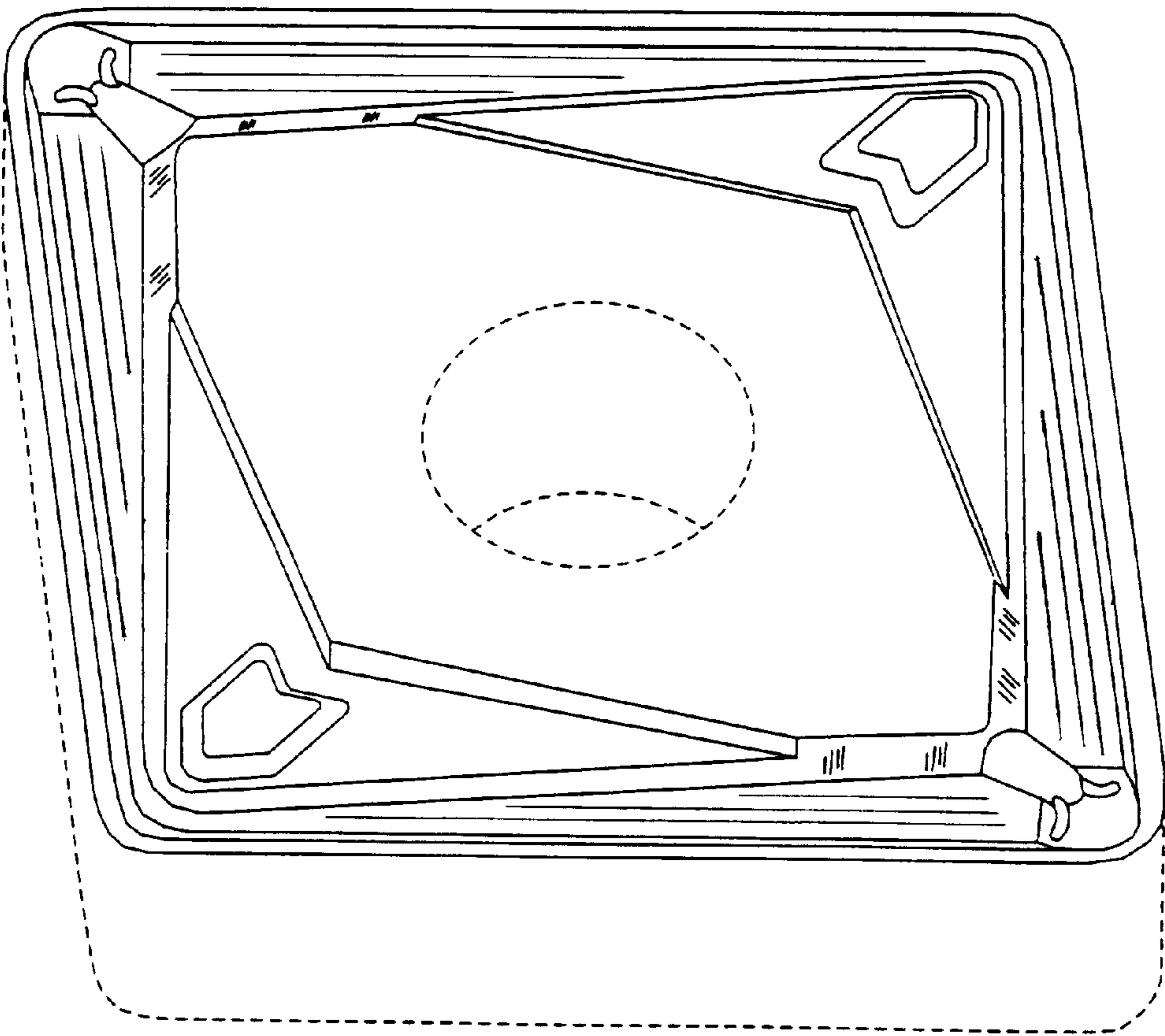


Fig. 1

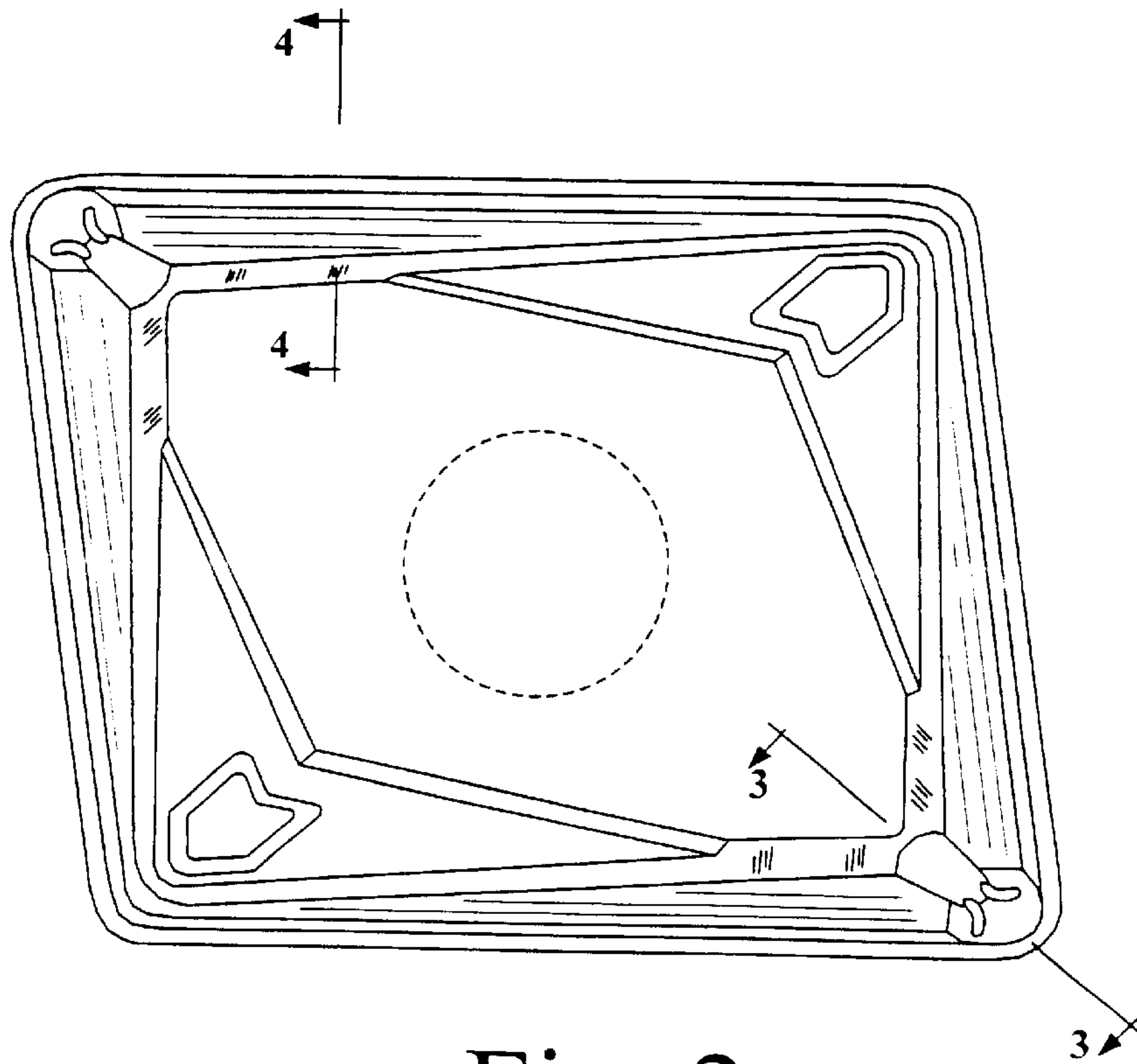


Fig. 2

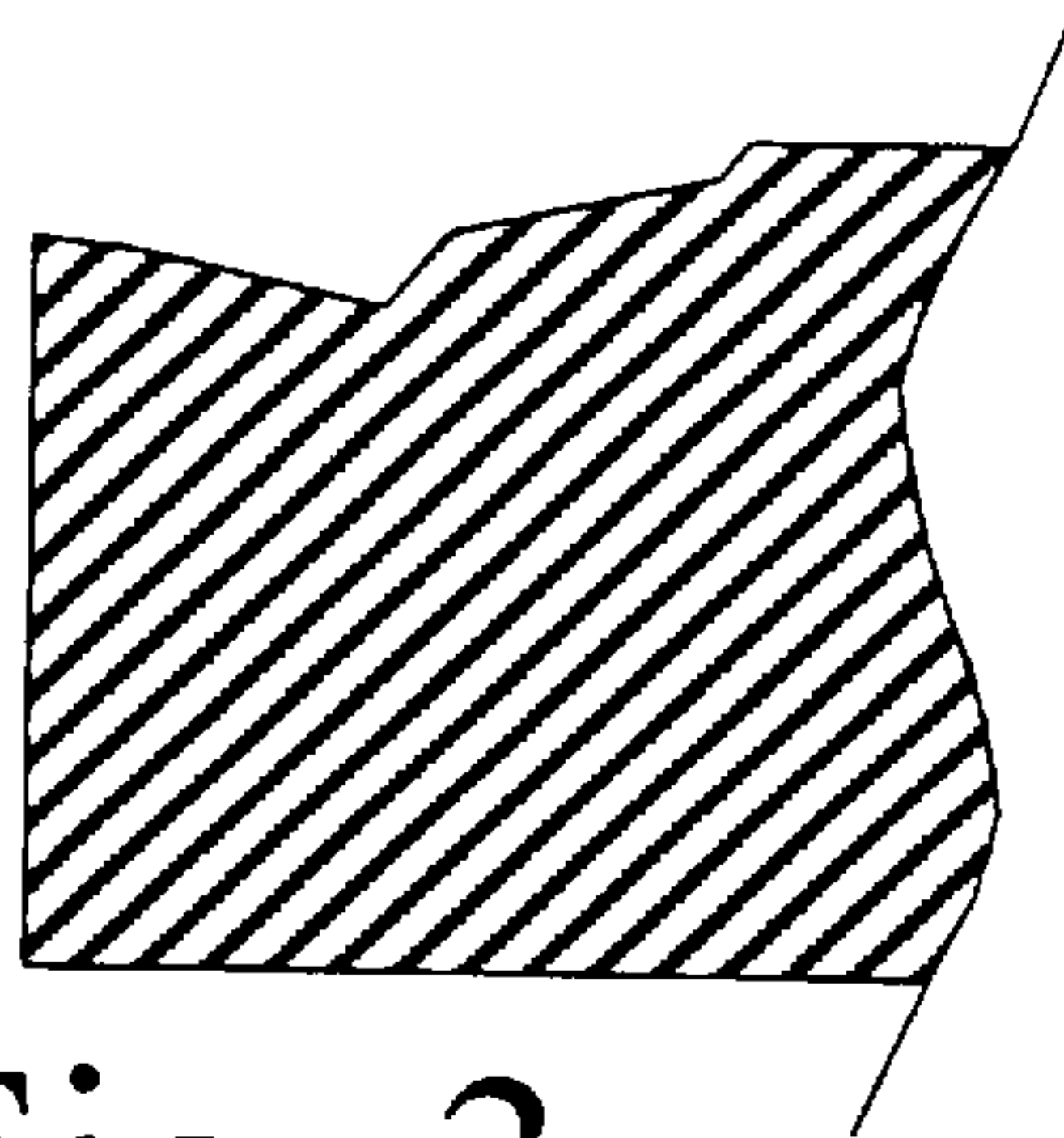


Fig. 3

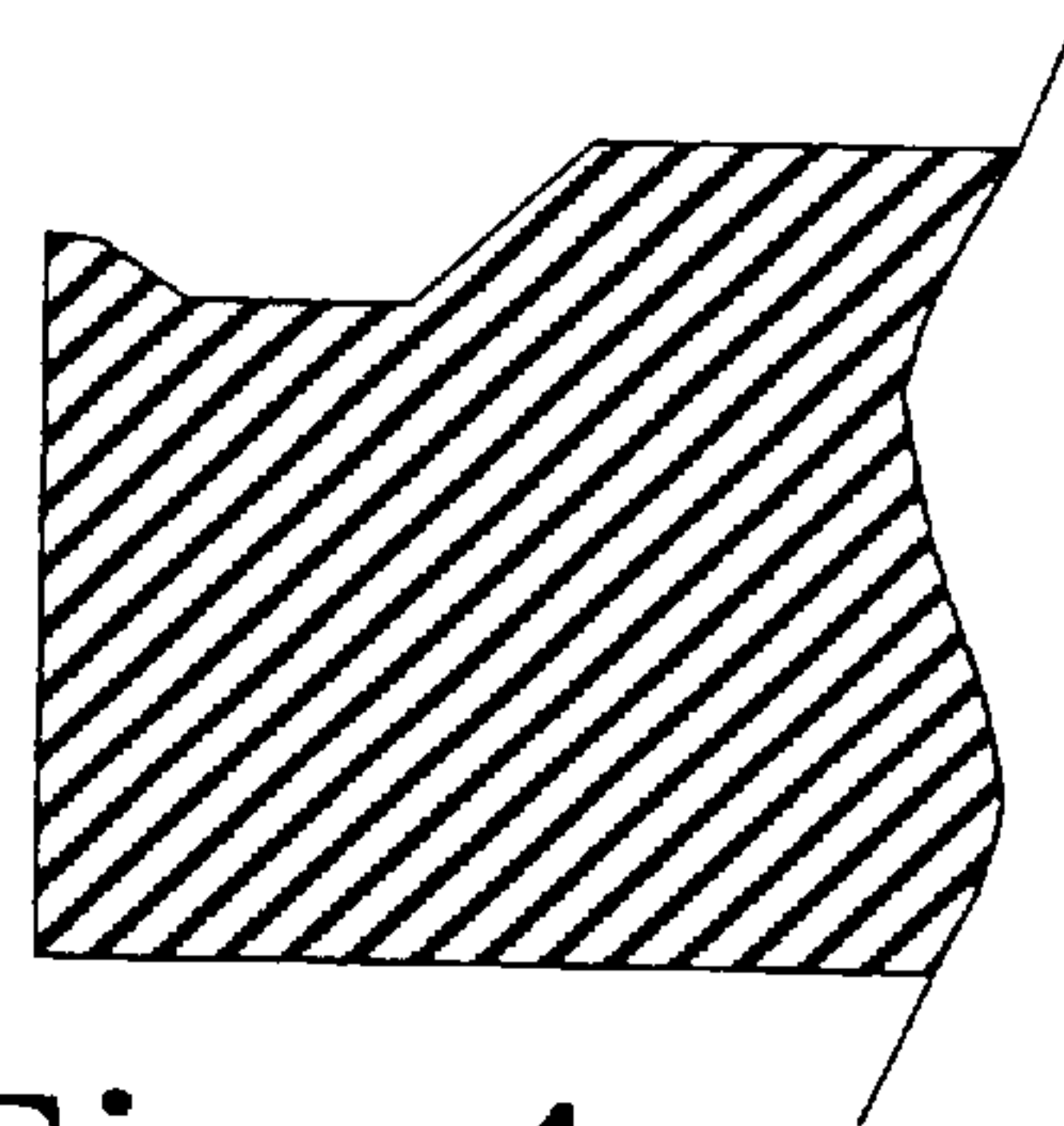


Fig. 4