



US00D472566S

(12) **United States Design Patent**
Okada

(10) **Patent No.:** **US D472,566 S**

(45) **Date of Patent:** **** Apr. 1, 2003**

(54) **MOVABLE PLATEN**

(75) **Inventor:** **Norihito Okada**, Chiba (JP)

(73) **Assignee:** **Sumitomo Heavy Industries, Ltd.**,
Tokyo (JP)

(**) **Term:** **14 Years**

(21) **Appl. No.:** **29/161,316**

(22) **Filed:** **May 29, 2002**

(51) **LOC (7) Cl.** **15-09**

(52) **U.S. Cl.** **D15/135**

(58) **Field of Search** D15/135; 425/593,
425/556, 589-595, 253-261

(56) **References Cited**

U.S. PATENT DOCUMENTS

D341,602 S	*	11/1993	Faig et al.	D15/135
5,593,711 A	*	1/1997	Glaesener	425/595
6,439,876 B1	*	8/2002	Glaesener	425/595
6,478,572 B1	*	11/2002	Schad	425/574

* cited by examiner

Primary Examiner—Antoine Duval Davis

(74) *Attorney, Agent, or Firm*—Arent Fox Kinter Plotkin & Kahn

(57) **CLAIM**

The ornamental design for a movable platen, as shown and described.

DESCRIPTION

FIG. 1 is a perspective view of a movable platen showing my new design;

FIG. 2 is a front view thereof;

FIG. 3 is a plan view thereof;

FIG. 4 is a bottom view thereof;

FIG. 5 is a rear view thereof;

FIG. 6 is a right side view thereof;

FIG. 7 is a left side view thereof;

FIG. 8 is a sectional view taken along line 8—8 of FIG. 1;

FIG. 9 is a sectional view taken along line 9—9 of FIG. 1;

and,

FIG. 10 is a sectional view taken along line 10—10 of FIG. 4.

The sectional views are solely for facilitating understanding of the surfaces which are hidden in certain views of the Figures.

1 Claim, 5 Drawing Sheets

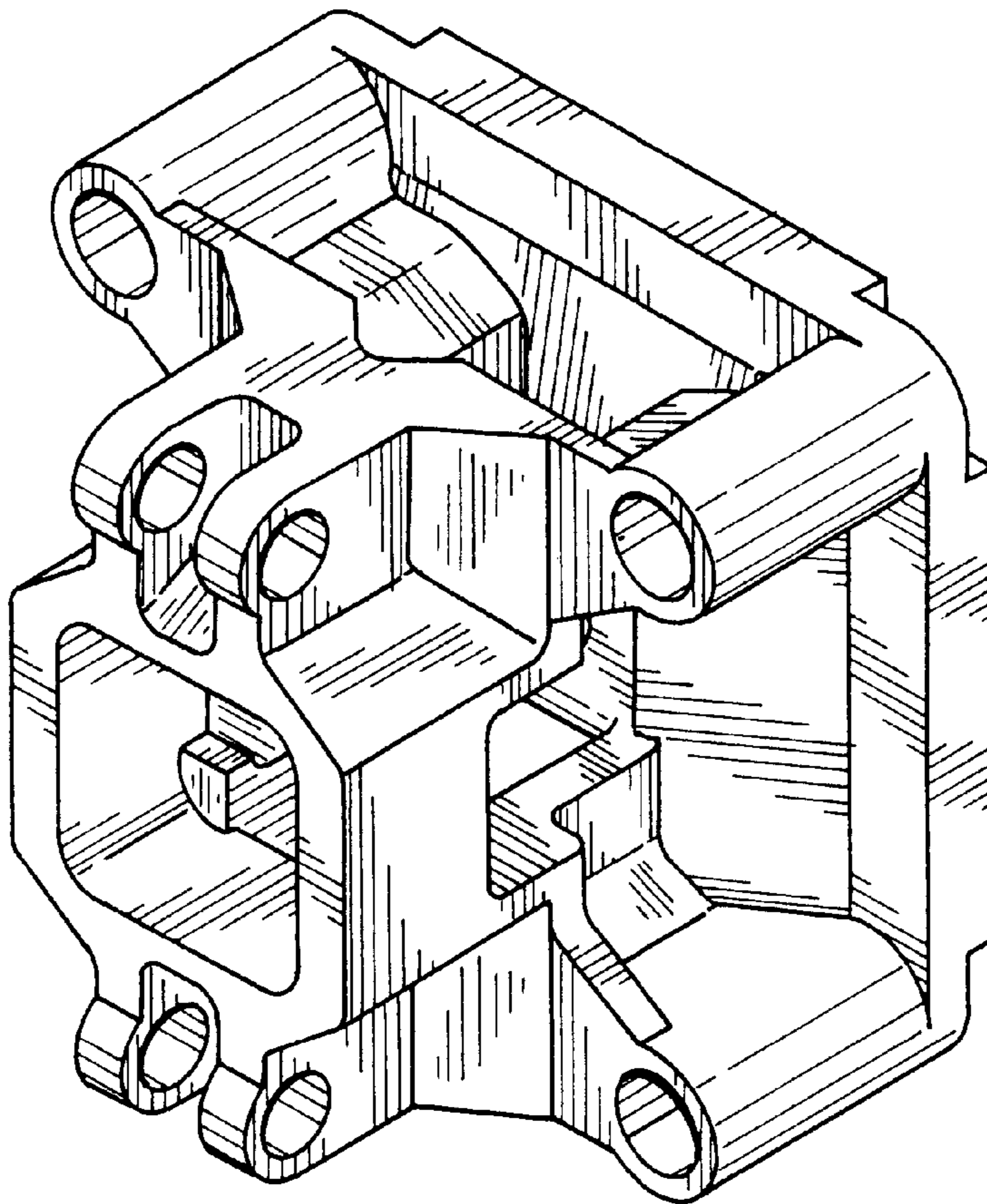


Fig.1

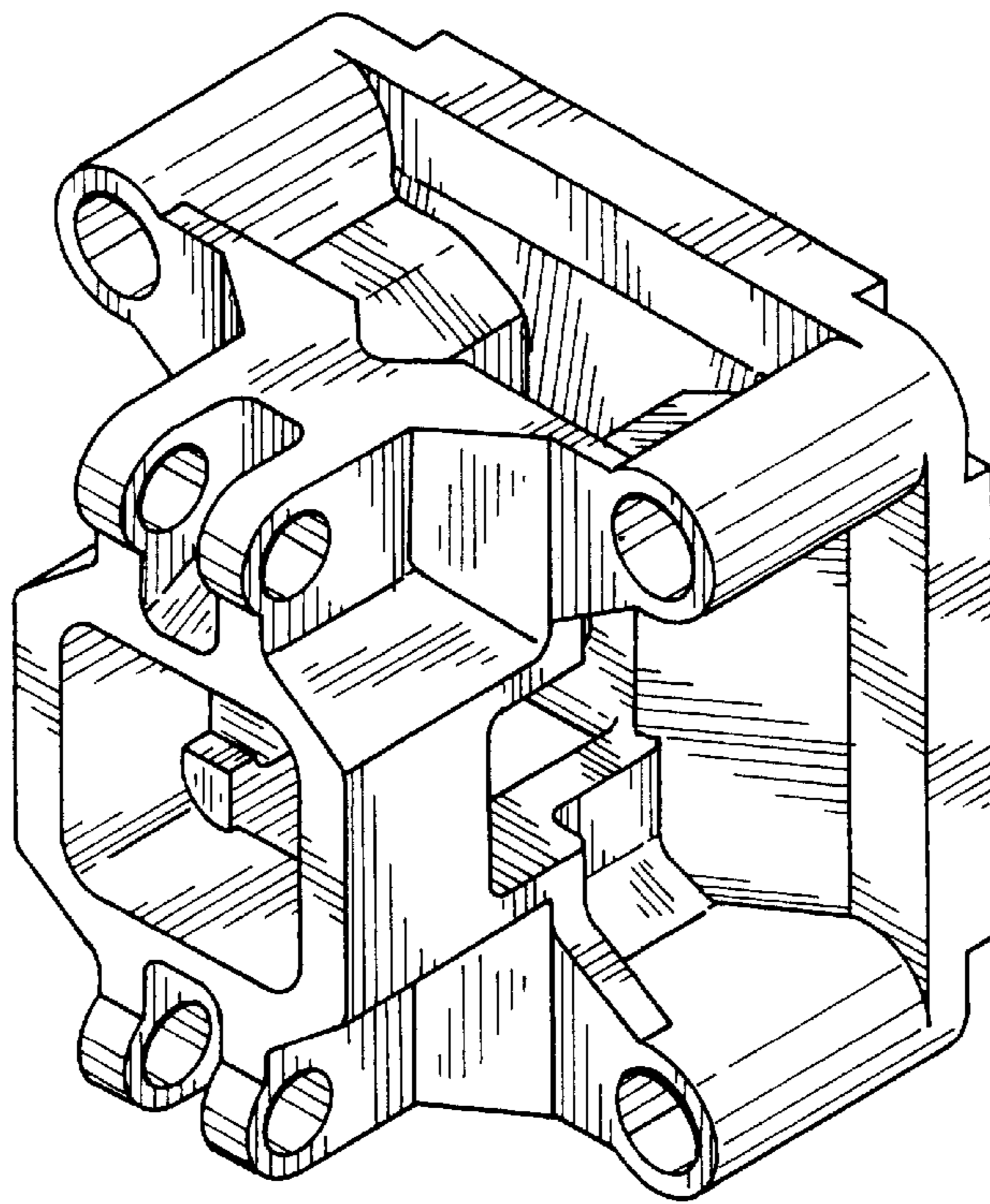


Fig.2

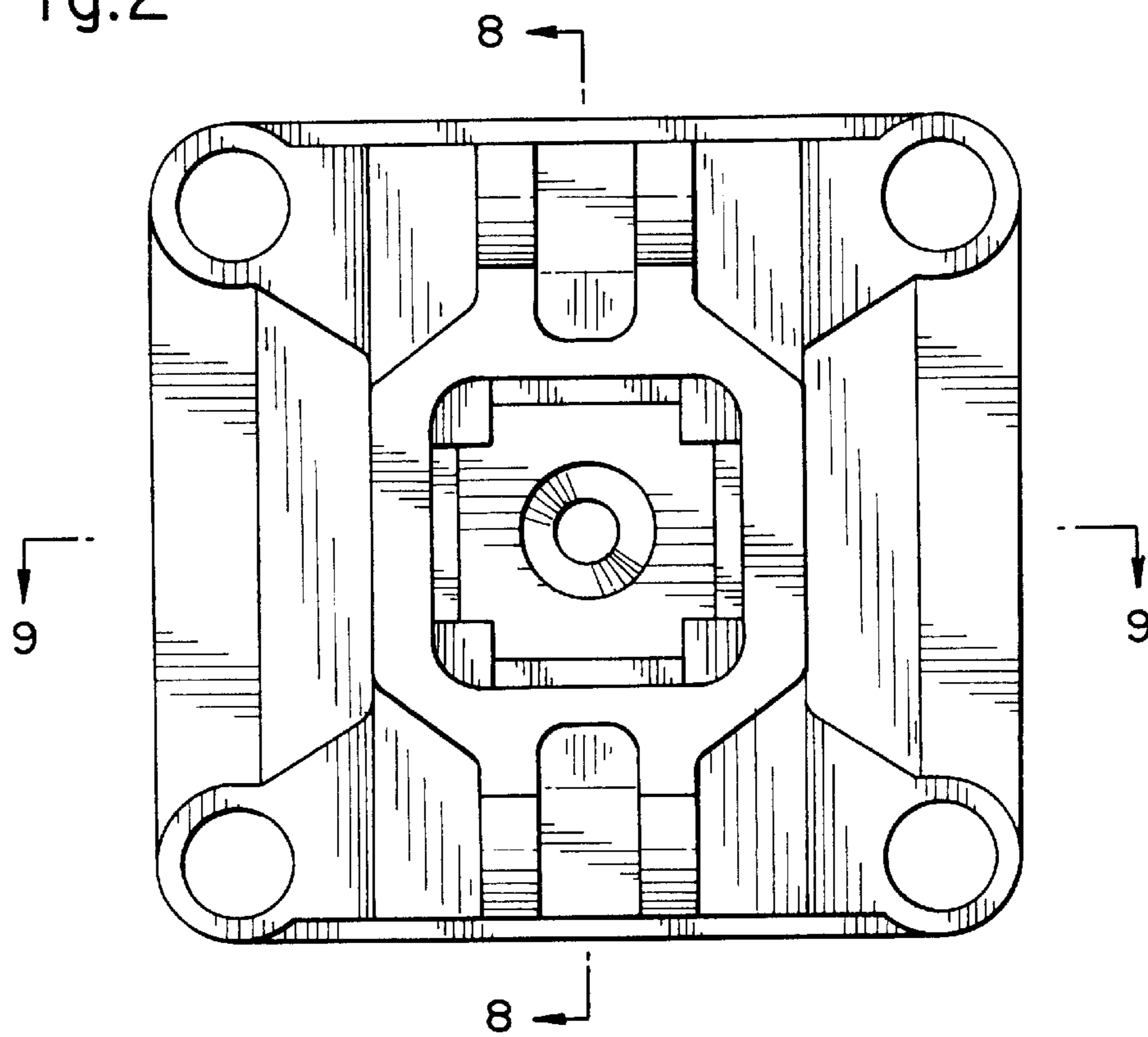


Fig.3

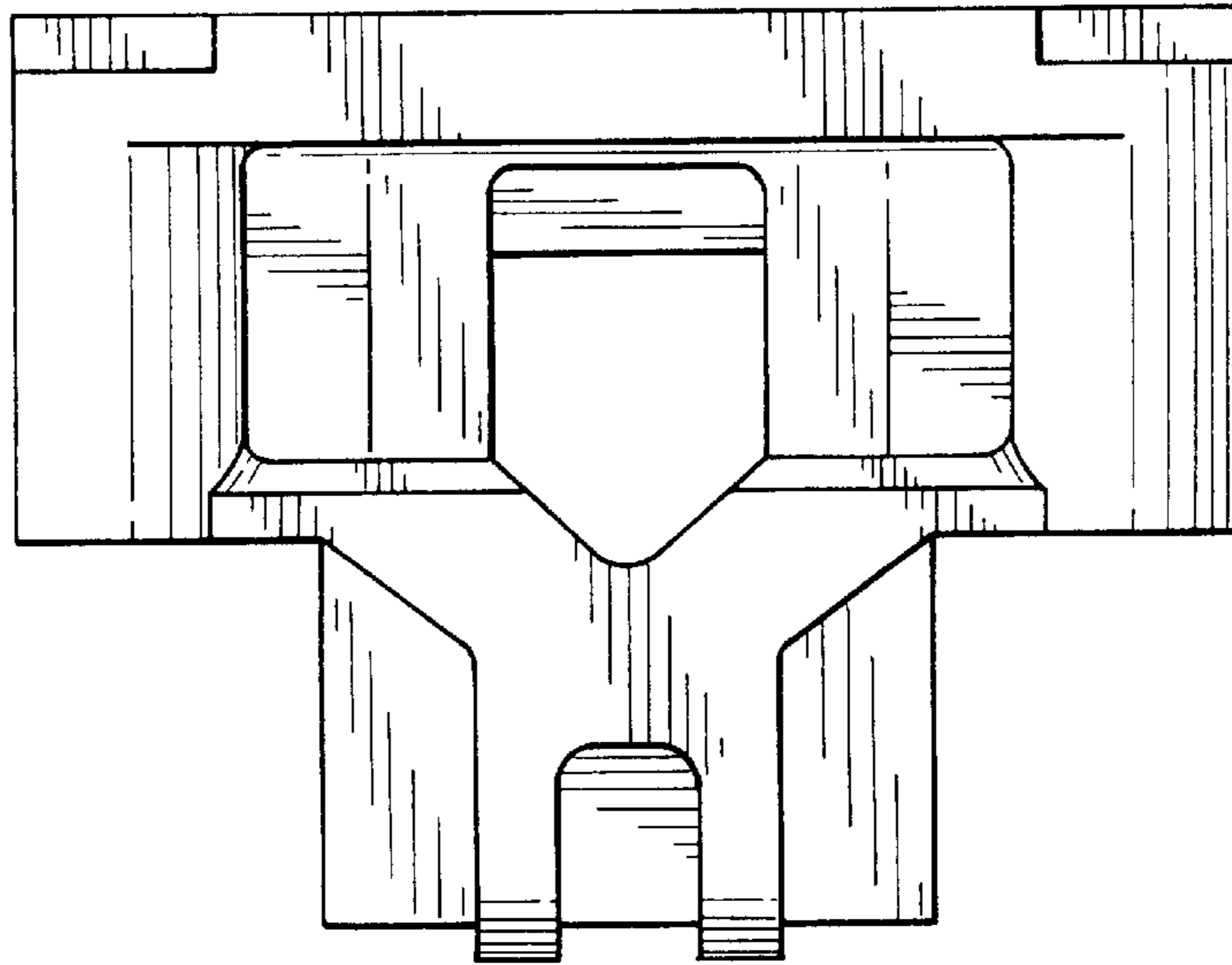


Fig.4

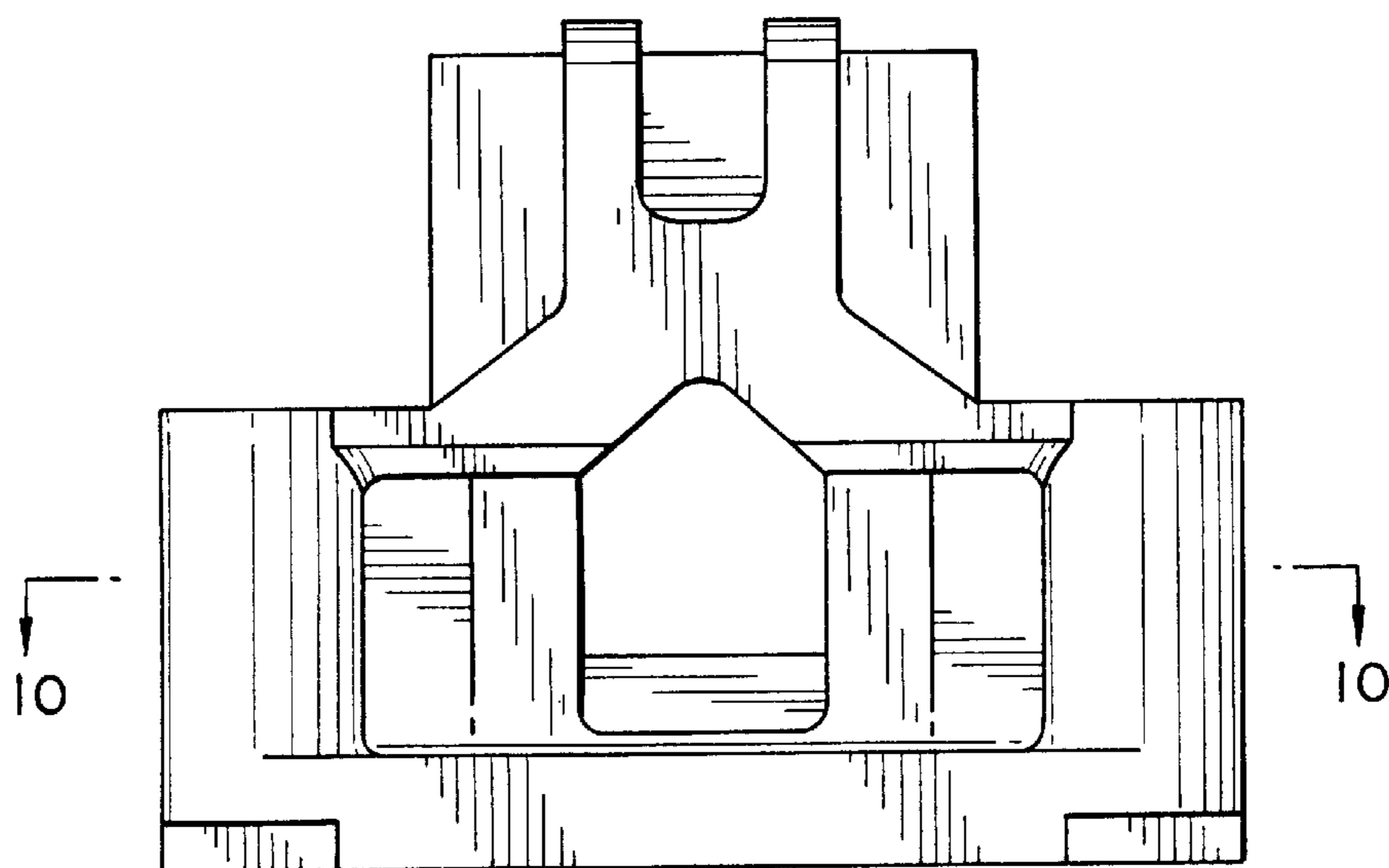


Fig.5

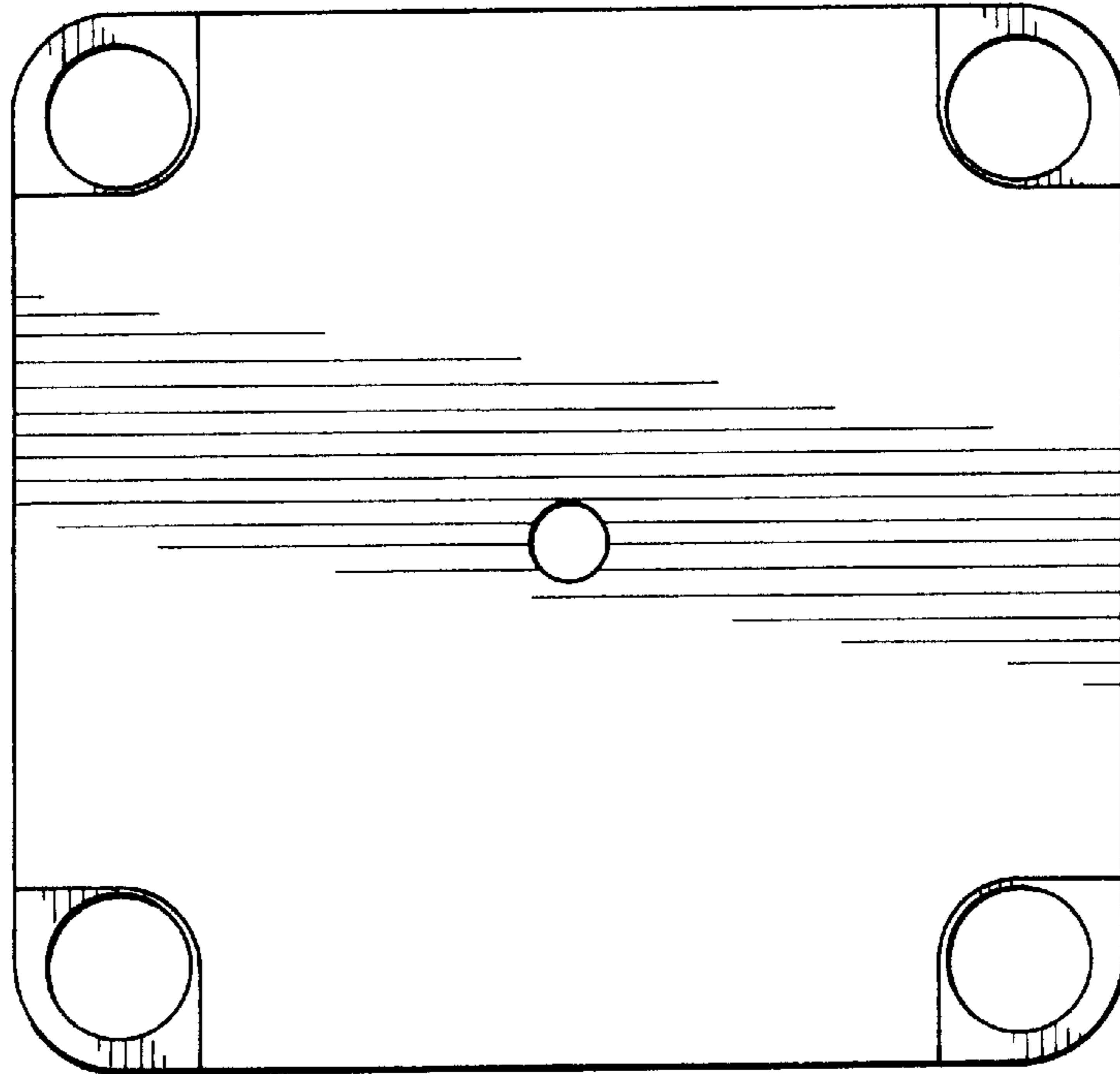


Fig.6

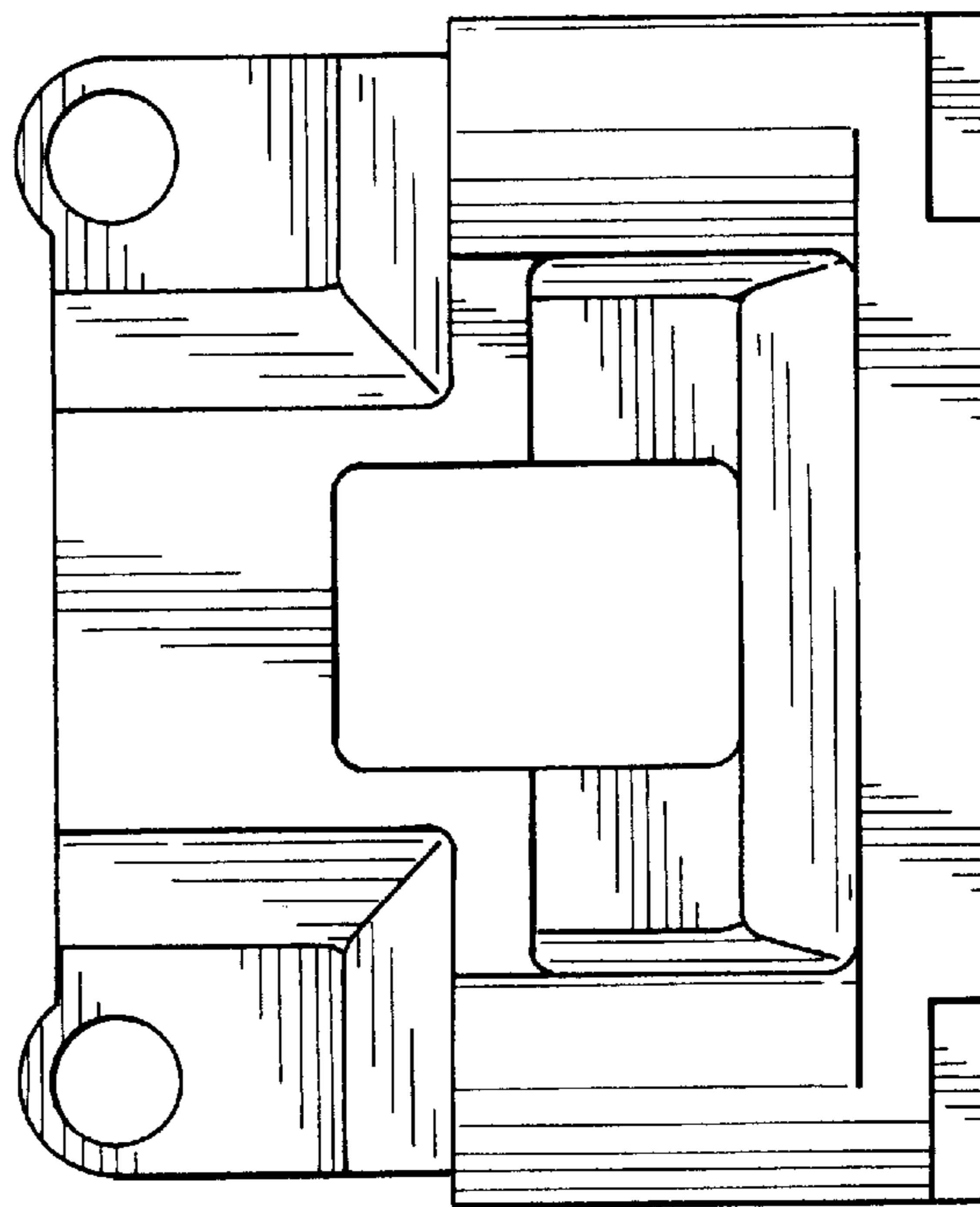


Fig.7

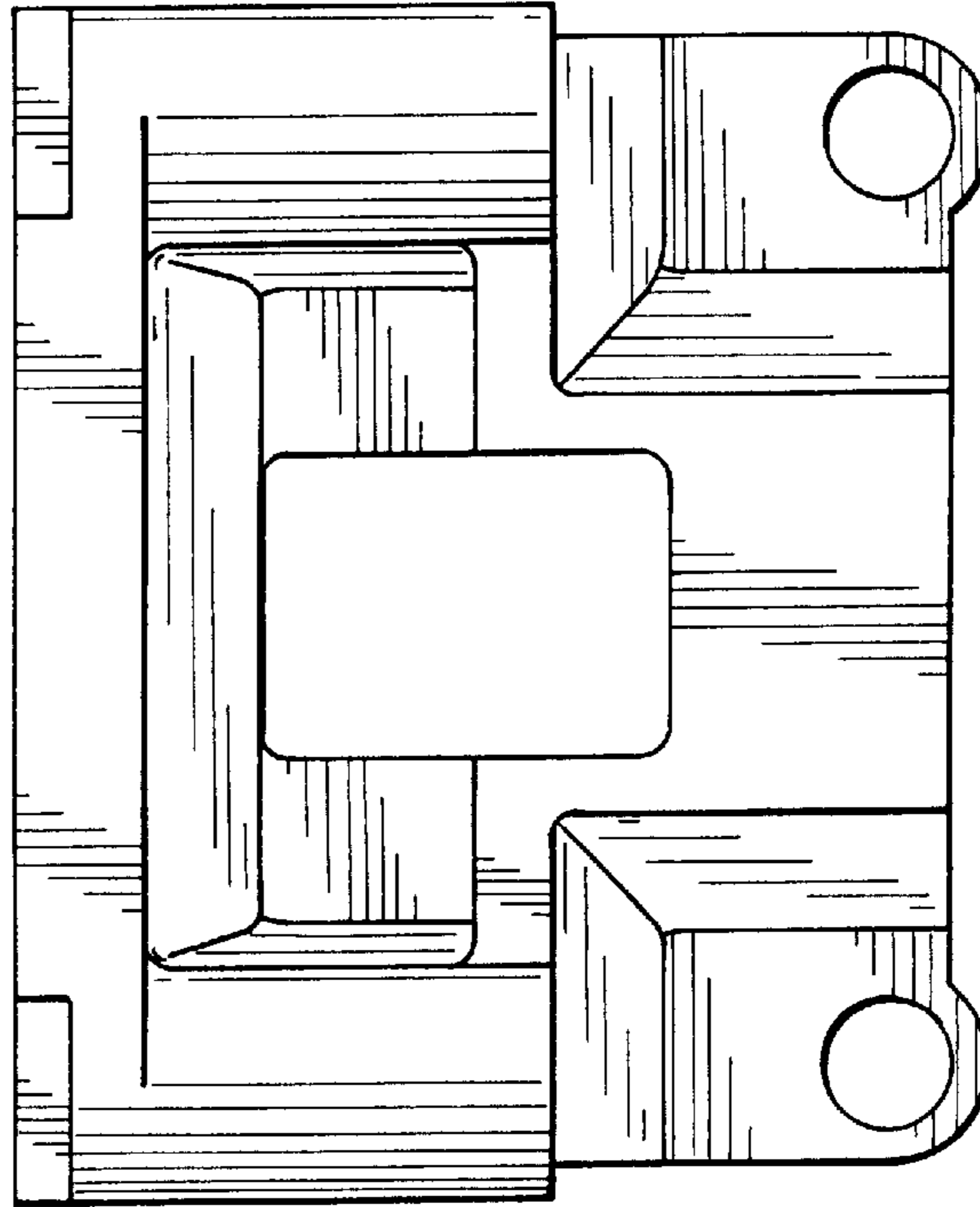


Fig.8

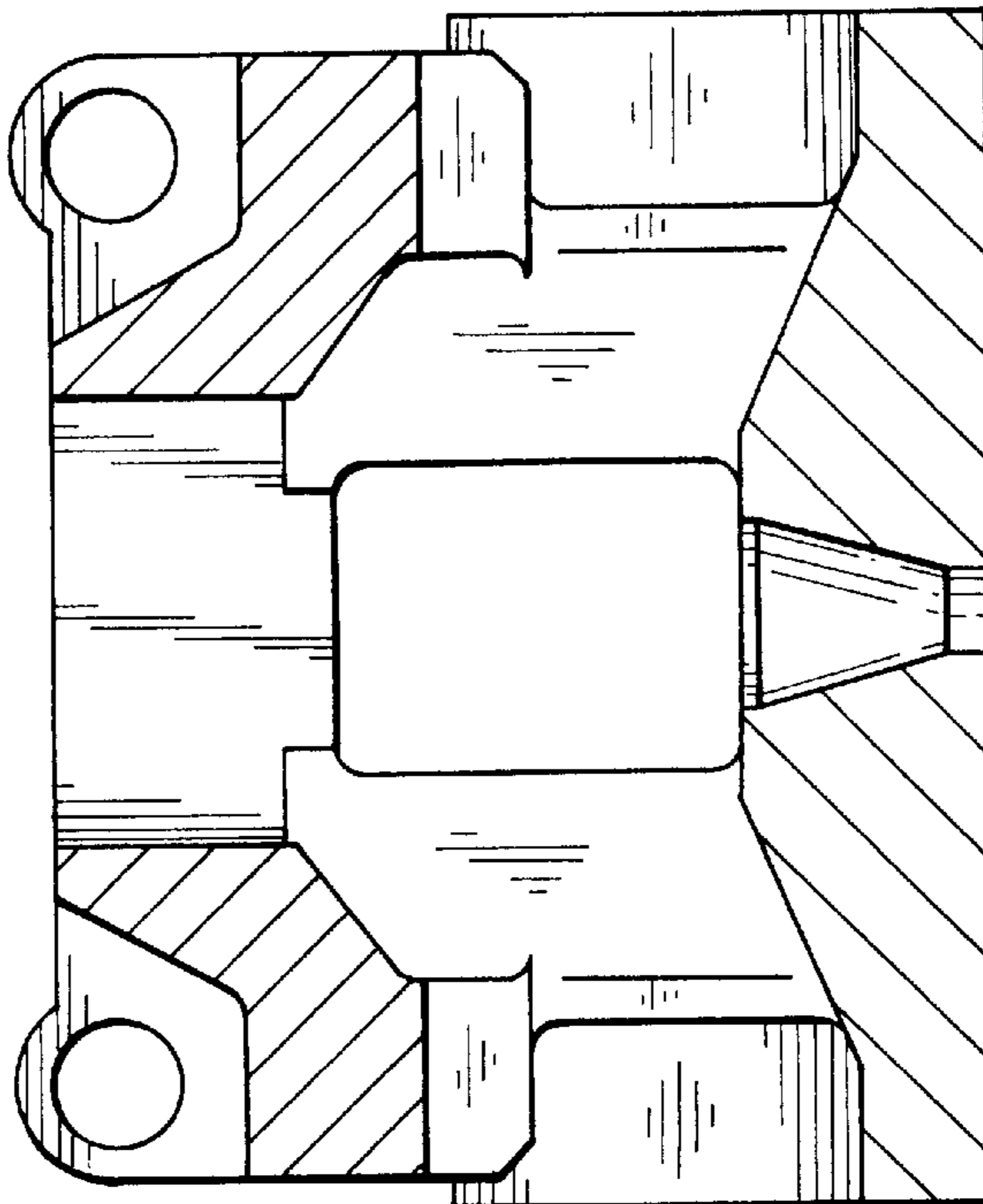


Fig.9

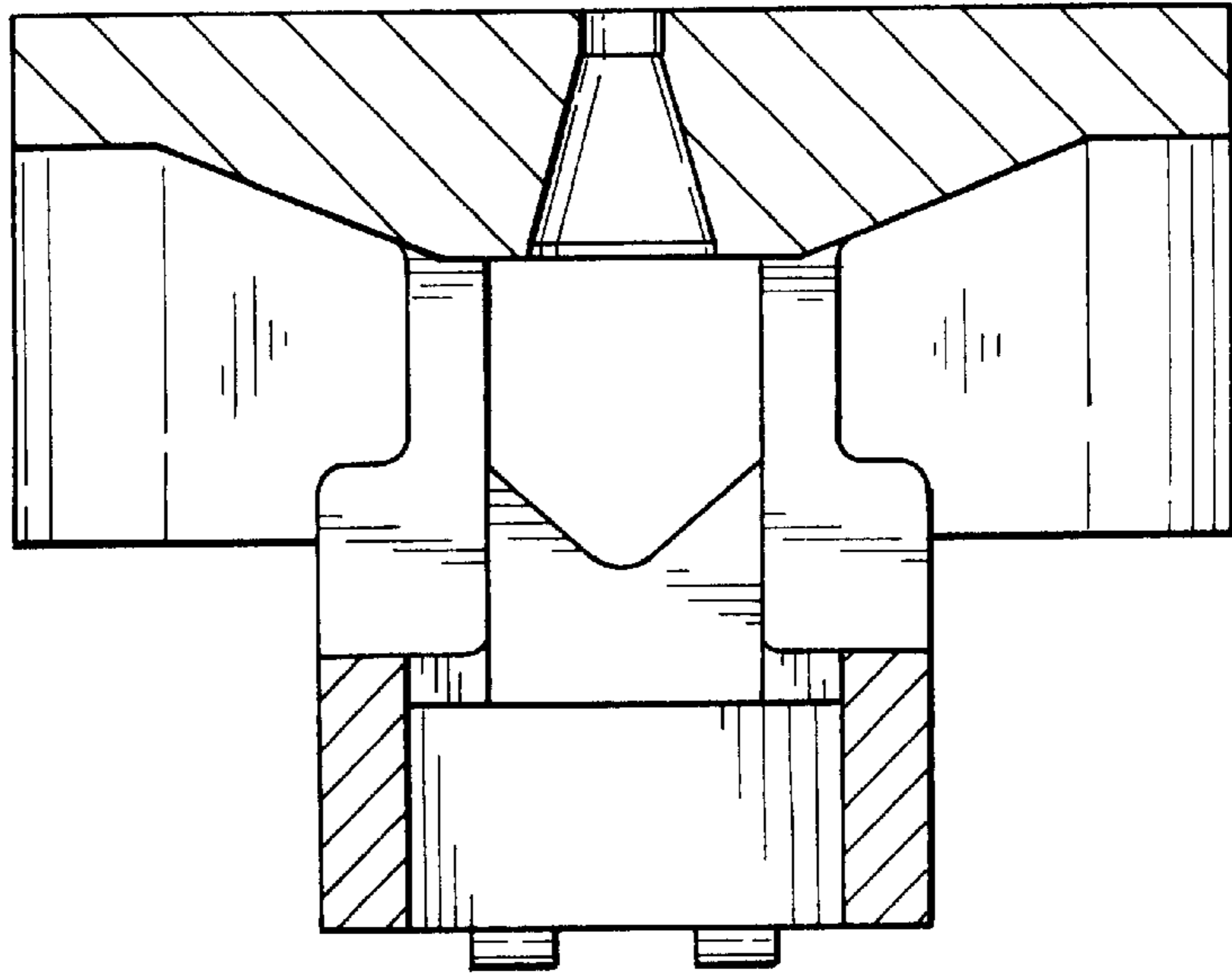


Fig.10

