



US00D472565S

(12) **United States Design Patent**  
**Amamoto**

(10) **Patent No.:** **US D472,565 S**

(45) **Date of Patent:** **\*\* Apr. 1, 2003**

(54) **GRINDSTONE**

(75) Inventor: **Hirofumi Amamoto, Uji (JP)**

(73) Assignee: **Sanwa Kenma, Ltd., Kyoto (JP)**

(\*\*) Term: **14 Years**

(21) Appl. No.: **29/161,607**

(22) Filed: **May 30, 2002**

(51) **LOC (7) Cl.** ..... **15-09**

(52) **U.S. Cl.** ..... **D15/126**

(58) **Field of Search** ..... D15/126; 451/496,  
451/498, 508, 464, 526-533, 56, 443; 29/81.12;  
125/11.03

(56) **References Cited**

**U.S. PATENT DOCUMENTS**

3,707,059	A	*	12/1972	Burch et al.	.....	D15/126	X
D284,969	S	*	8/1986	Olovsson	.....	D15/126	
D324,525	S	*	3/1992	Baker et al.	.....	D15/126	
6,361,412	B1	*	3/2002	Kalser	.....	451/56	
6,428,406	B1	*	8/2002	Katsuyama et al.	.....	451/526	
6,431,971	B2	*	8/2002	Nagafuchi	.....	451/496	

\* cited by examiner

*Primary Examiner*—Antoine Duval Davis

(74) *Attorney, Agent, or Firm*—Jordan and Hamburg LLP

(57) **CLAIM**

The ornamental design for a grindstone, as shown and described.

**DESCRIPTION**

FIG. 1 is a front perspective view of a grindstone showing a first embodiment of my new design;

FIG. 2 is a rear perspective view thereof;

FIG. 3 is a front view thereof;

FIG. 4 is a rear view thereof;

FIG. 5 is a left side view thereof;

FIG. 6 is a right side view thereof;

FIG. 7 is a top view thereof;

FIG. 8 is a bottom view thereof;

FIG. 9 is a front perspective view of a grindstone showing a second embodiment of my new design;

FIG. 10 is a rear perspective view thereof;

FIG. 11 is a front view thereof;

FIG. 12 is a rear view thereof;

FIG. 13 is a left side view thereof;

FIG. 14 is a right side view thereof;

FIG. 15 is a top view thereof;

FIG. 16 is a bottom view thereof;

FIG. 17 is a front perspective view of a grindstone showing a third embodiment of my new design;

FIG. 18 is a rear perspective view thereof;

FIG. 19 is a top view thereof;

FIG. 20 is a bottom view thereof;

FIG. 21 is a left side view thereof;

FIG. 22 is a right side view thereof;

FIG. 23 is a top view thereof; and,

FIG. 24 is a bottom view thereof.

**1 Claim, 15 Drawing Sheets**

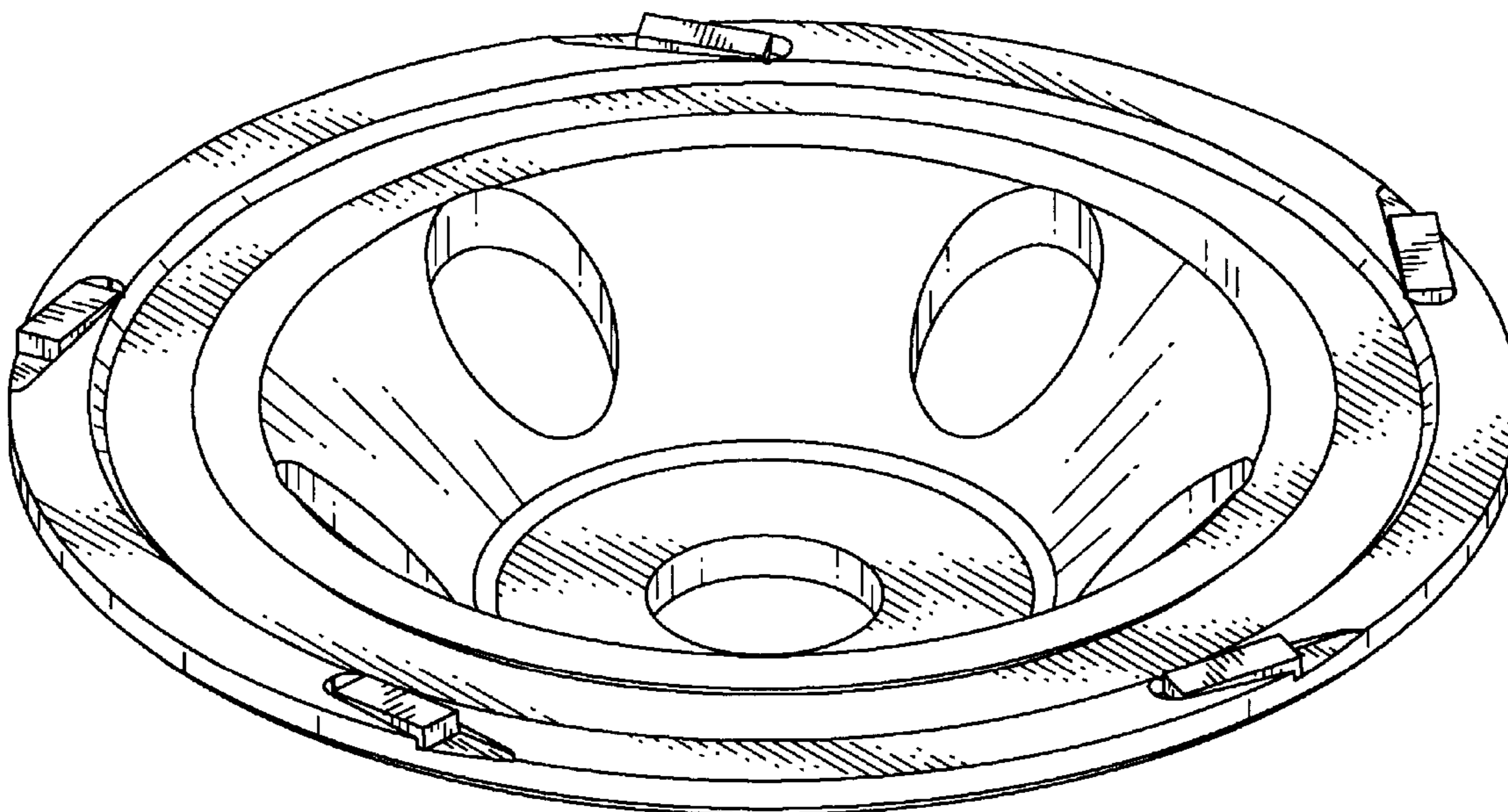


FIG. 1

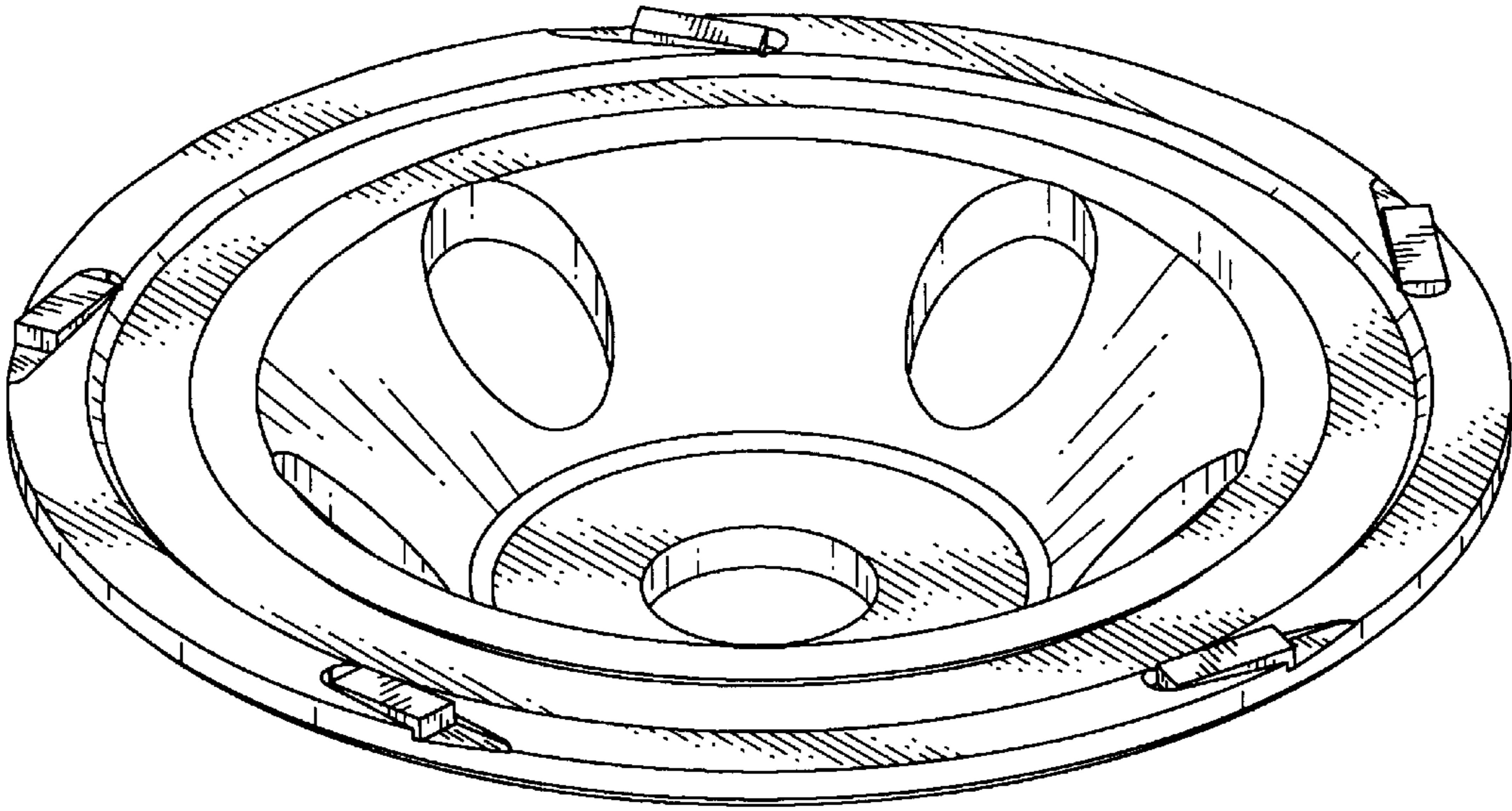


FIG. 2

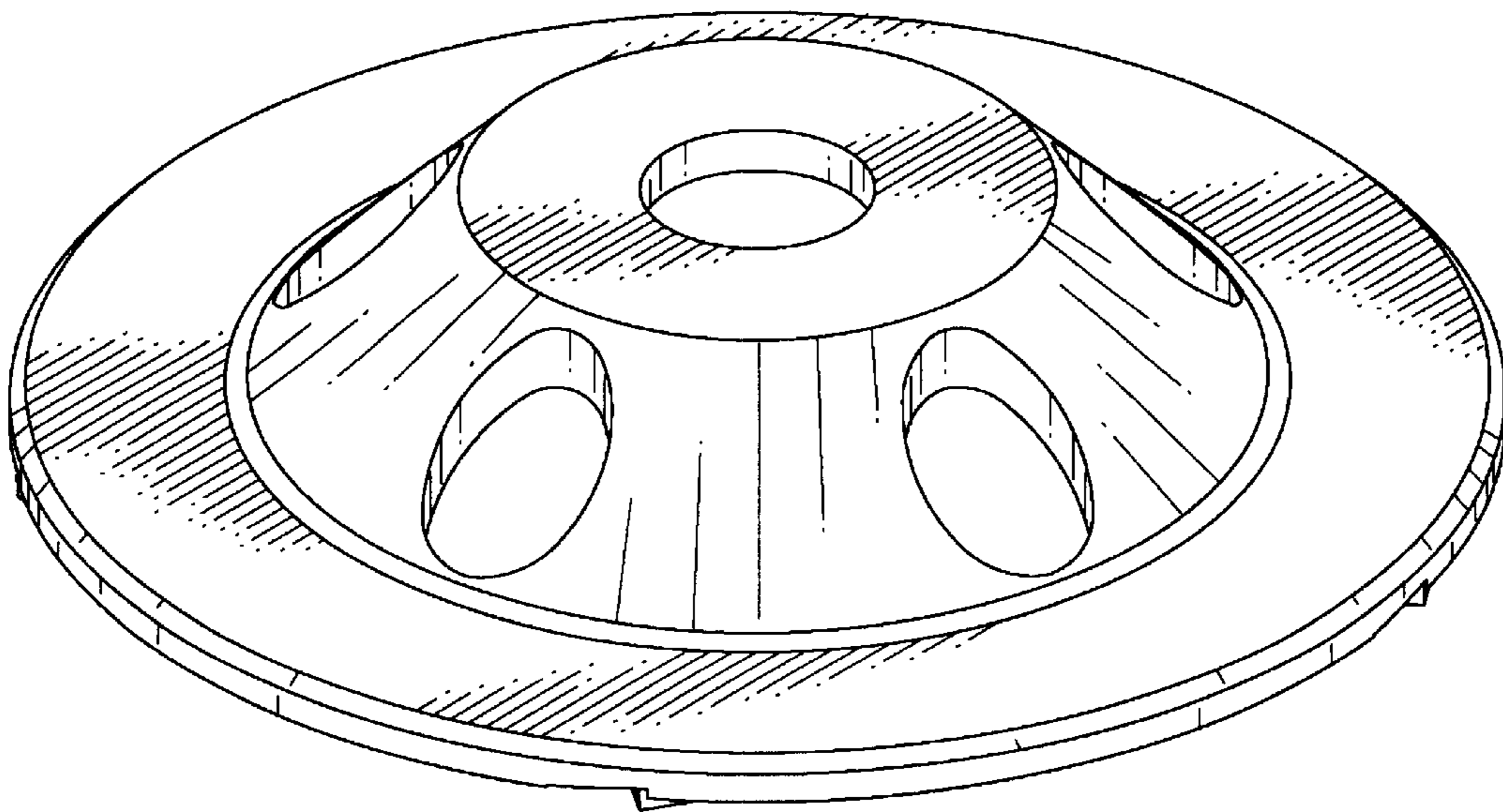


FIG. 3

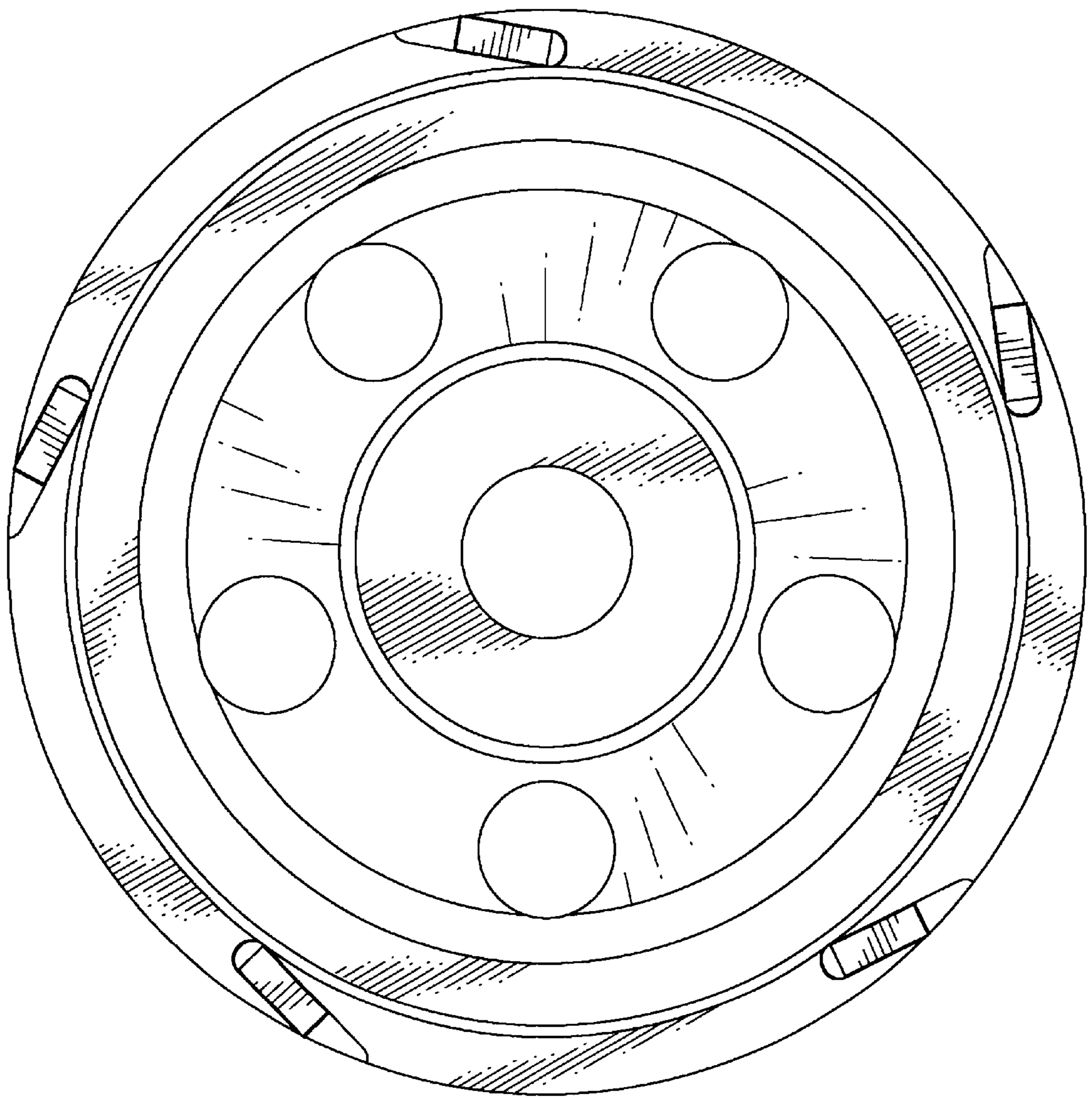




FIG. 4

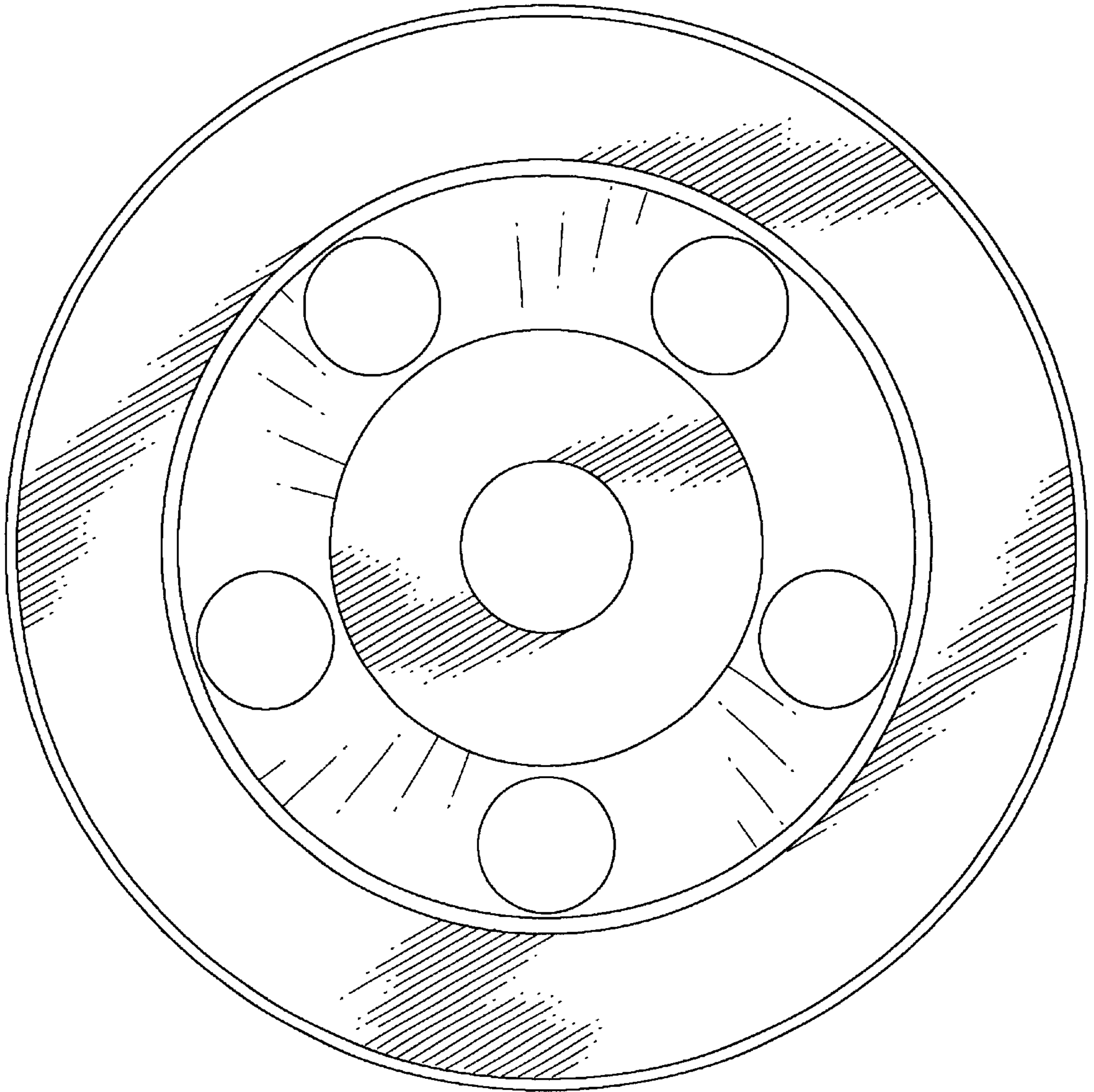


FIG. 5

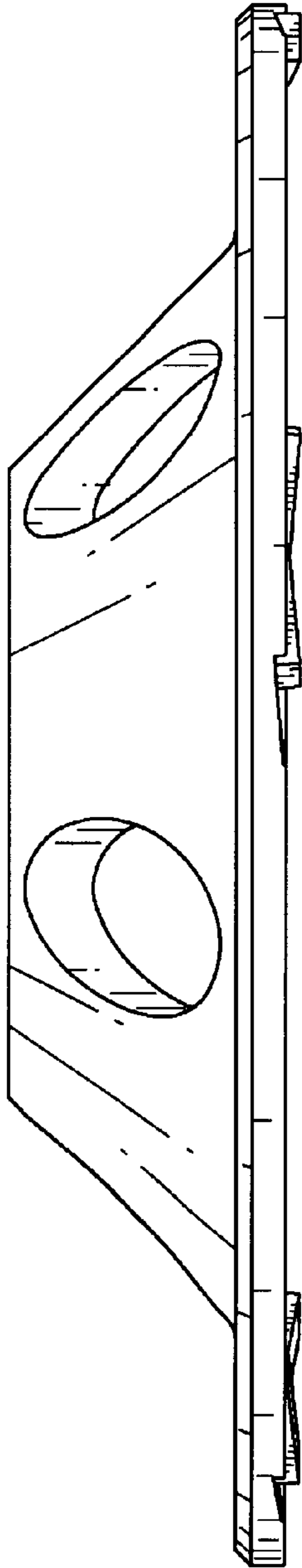


FIG. 6

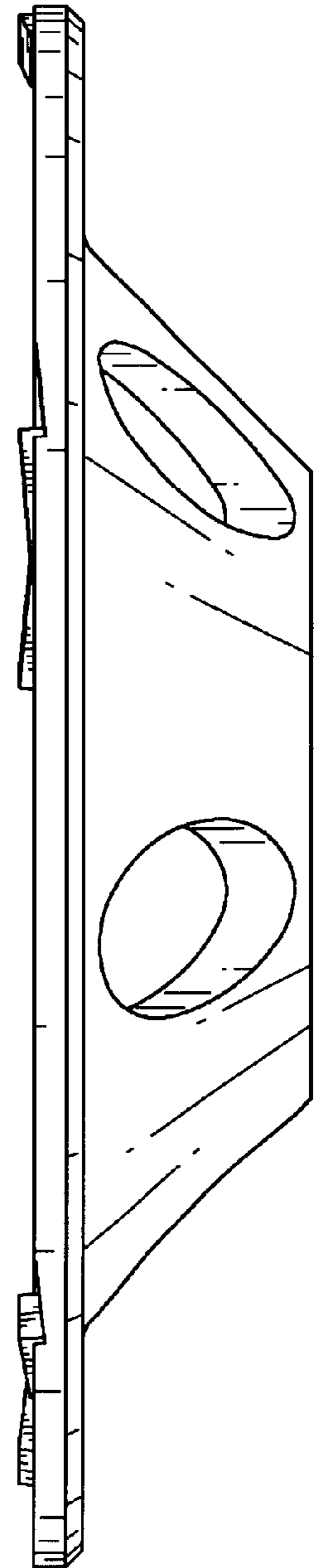


FIG. 7

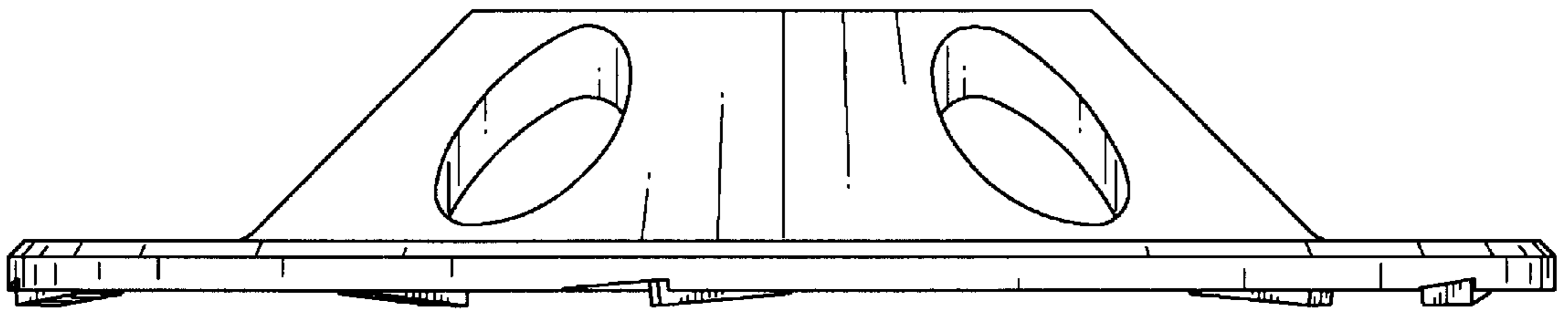


FIG. 8

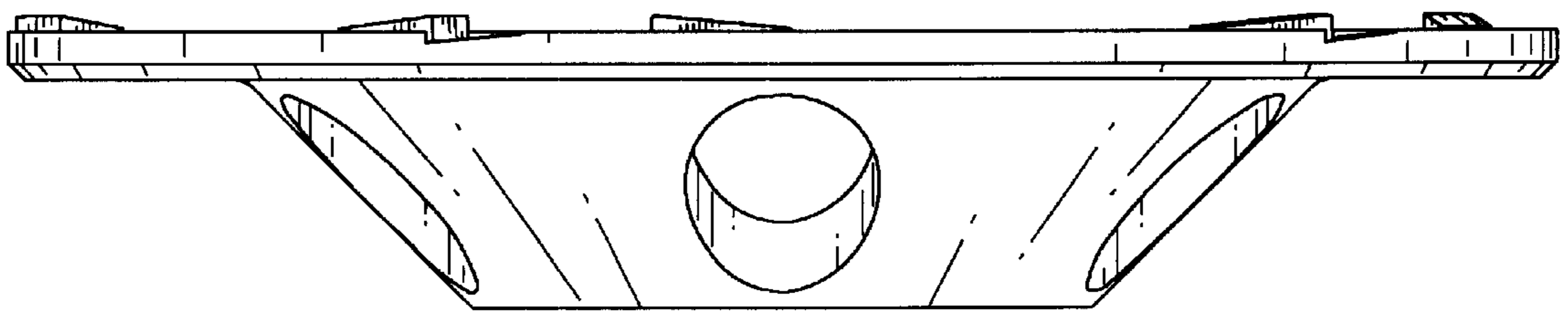


FIG. 9

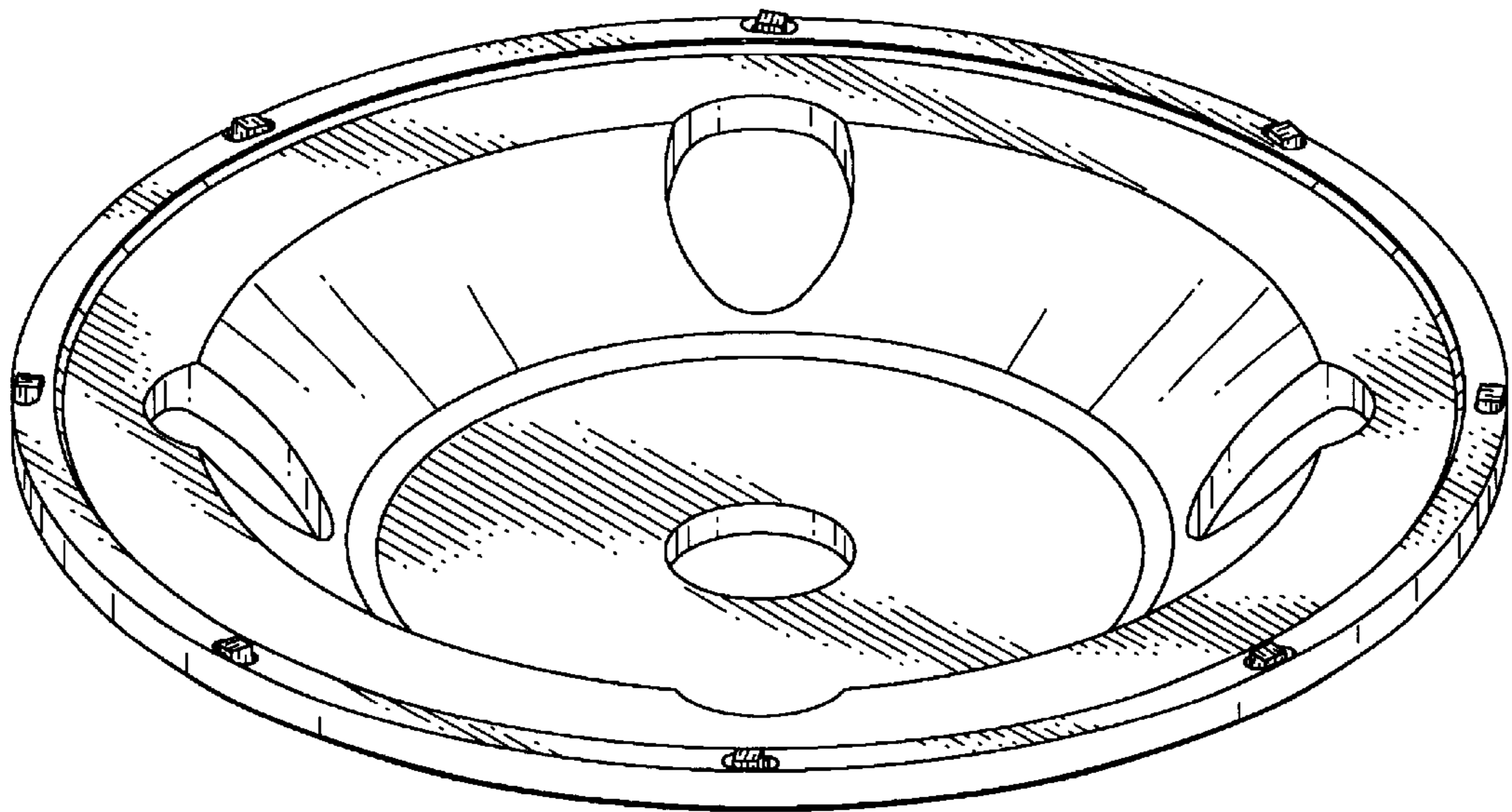


FIG. 10

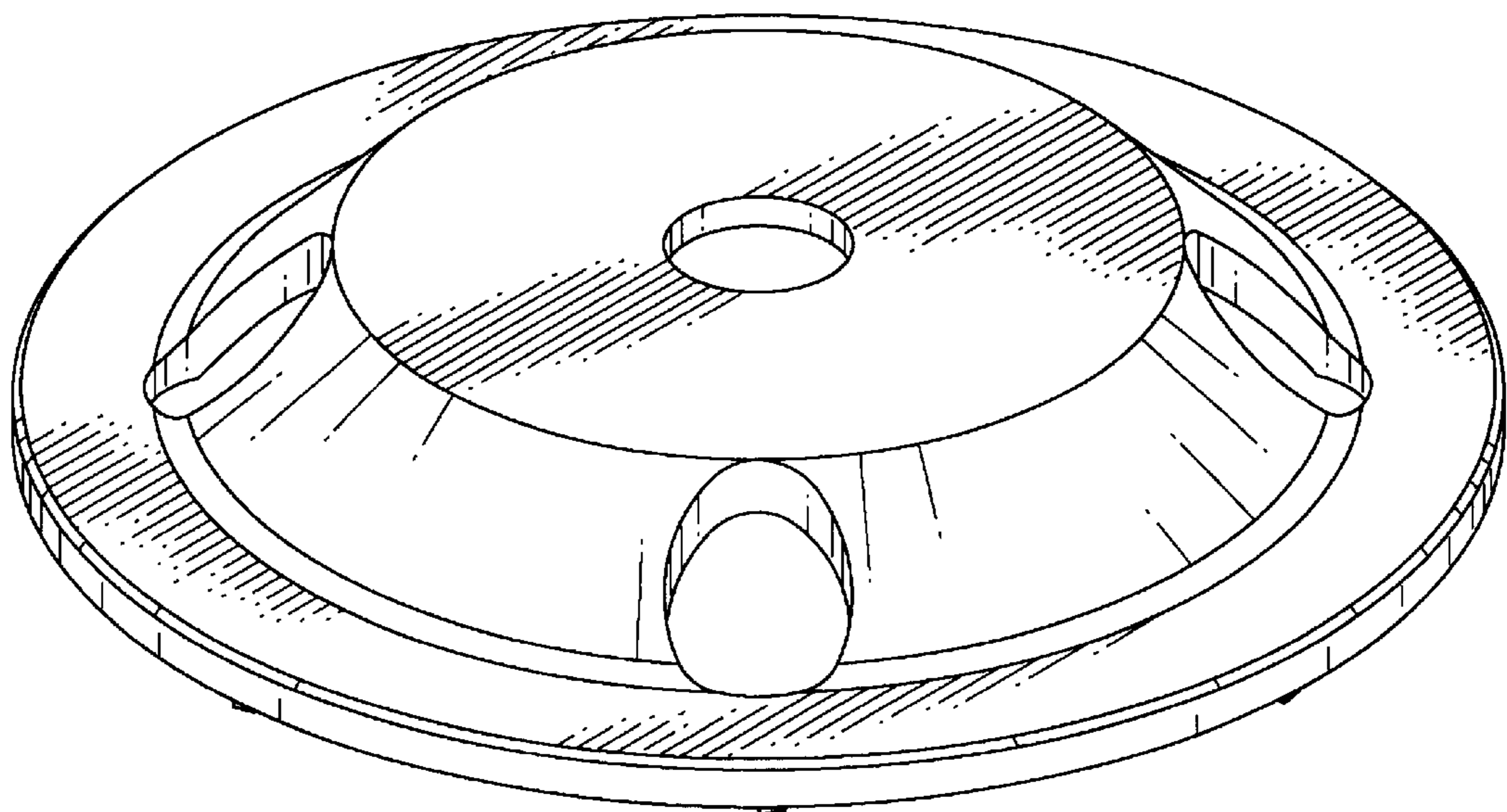




FIG. 11

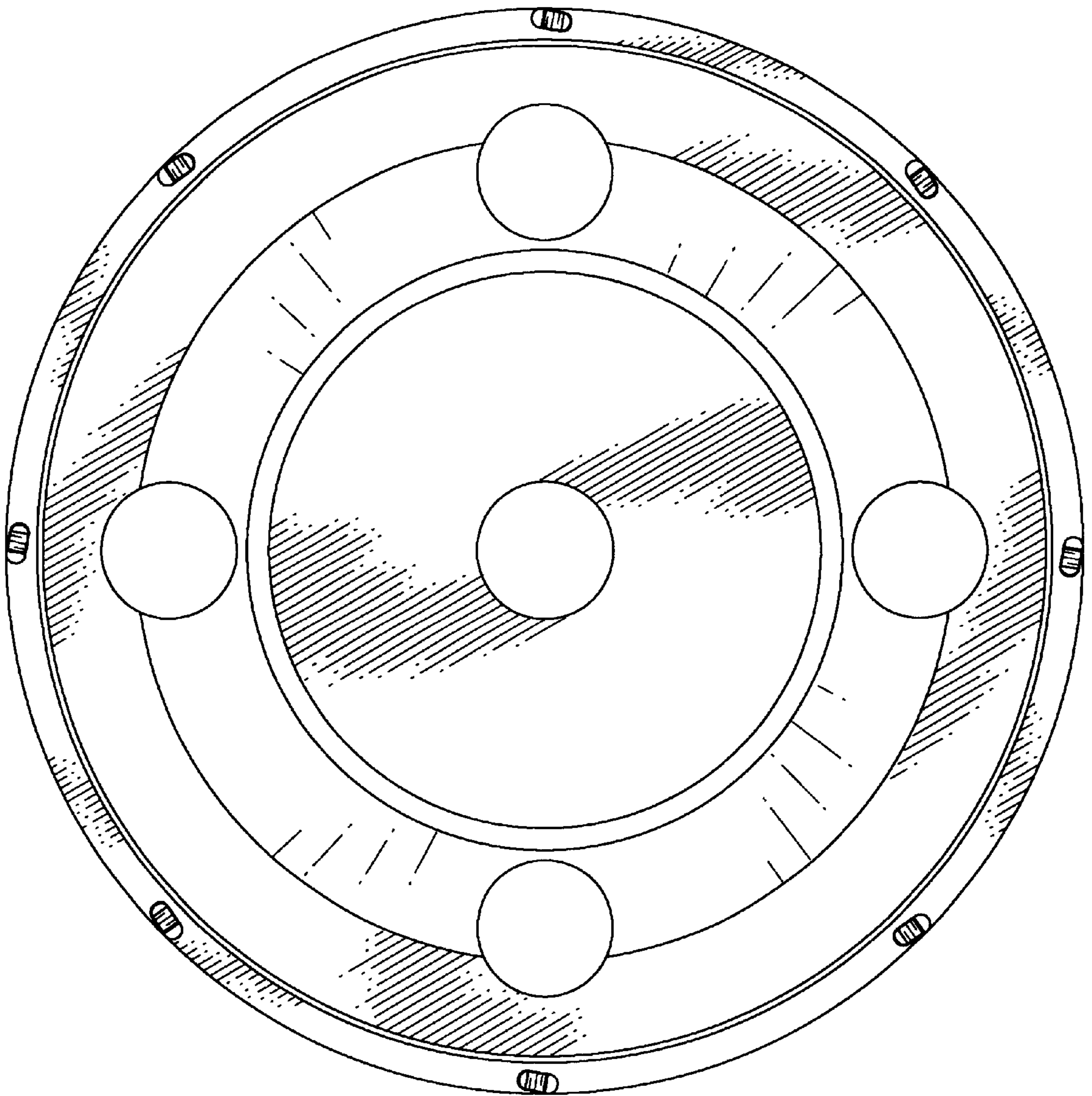




FIG. 12

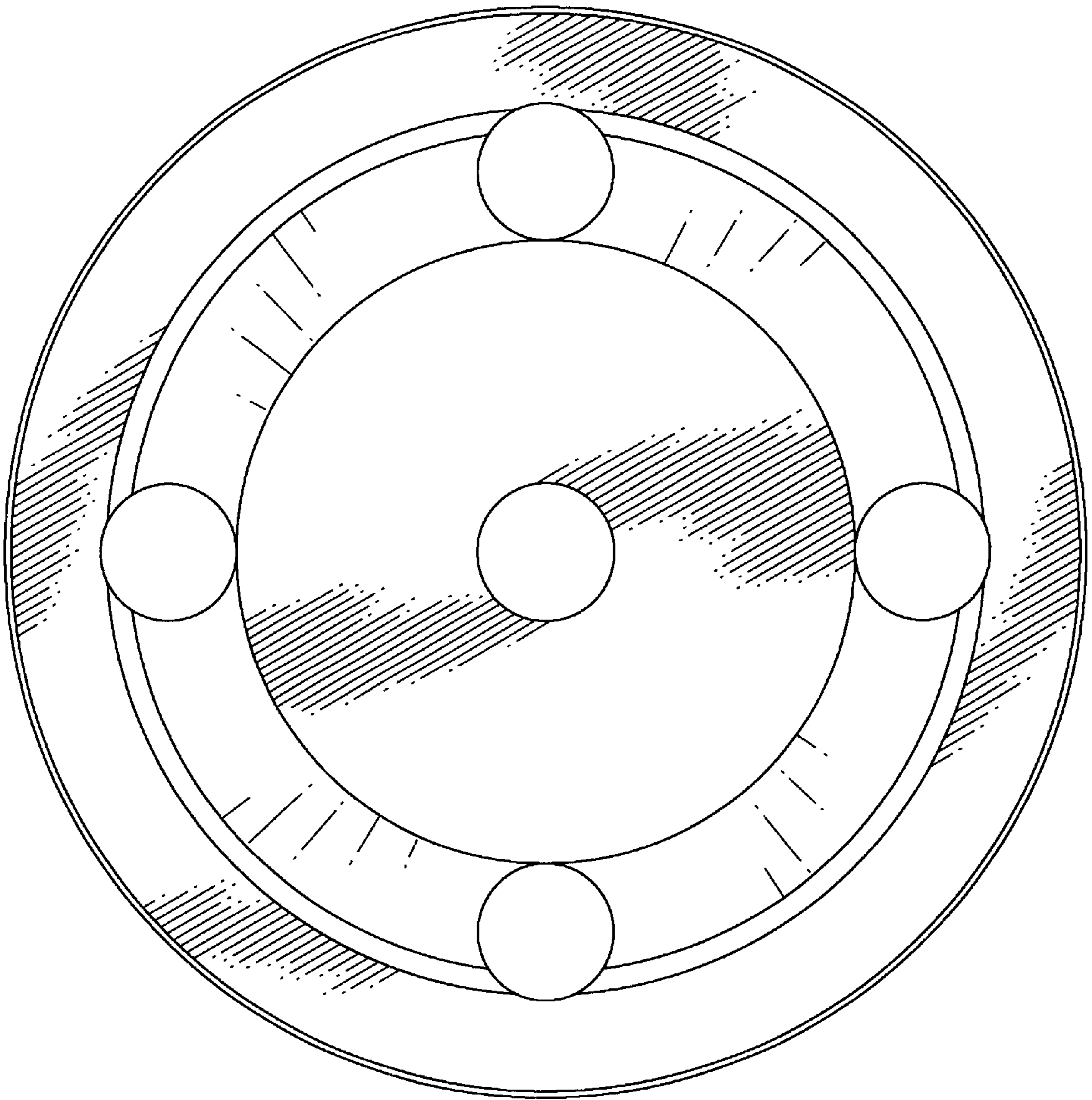


FIG. 13

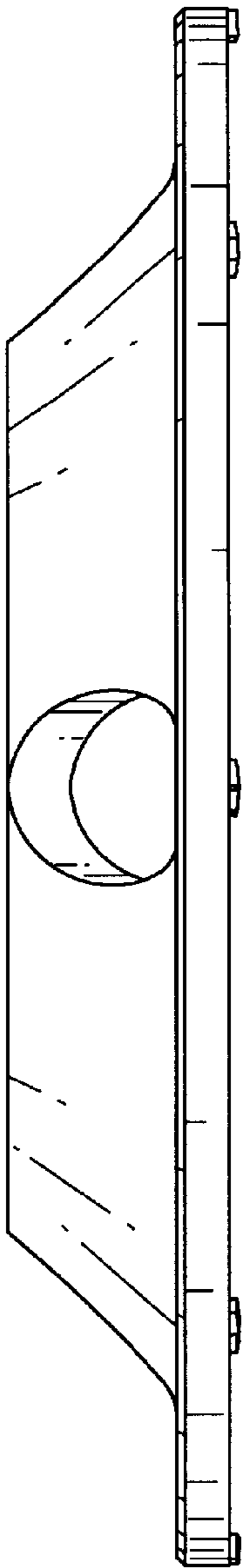


FIG. 14

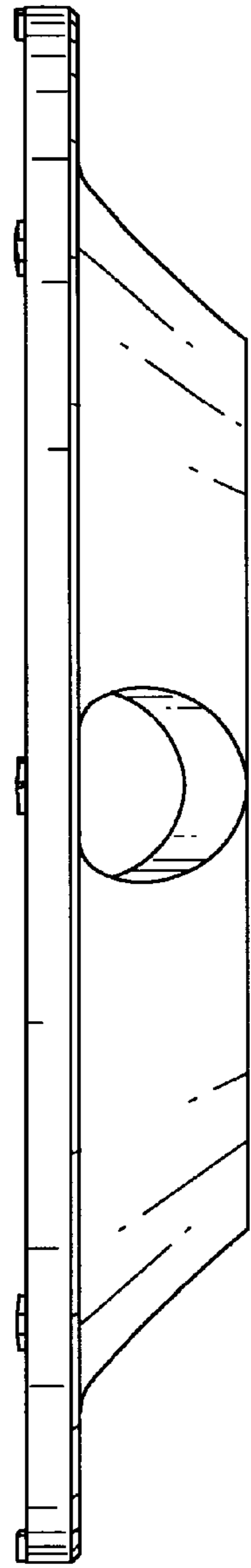


FIG. 15

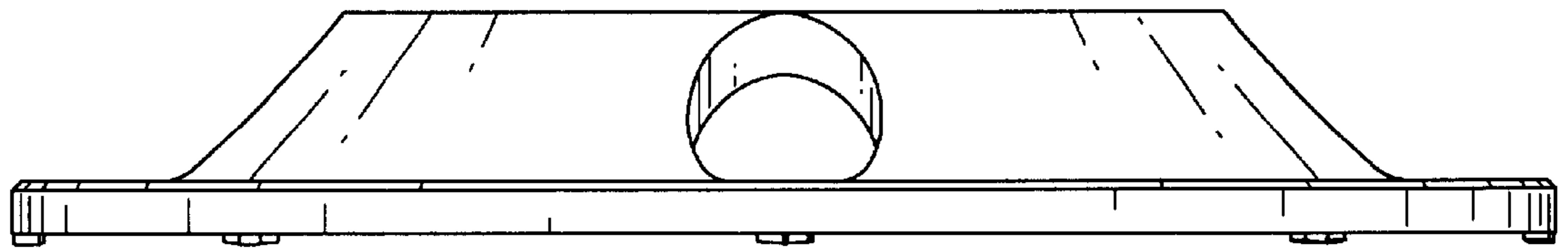


FIG. 16

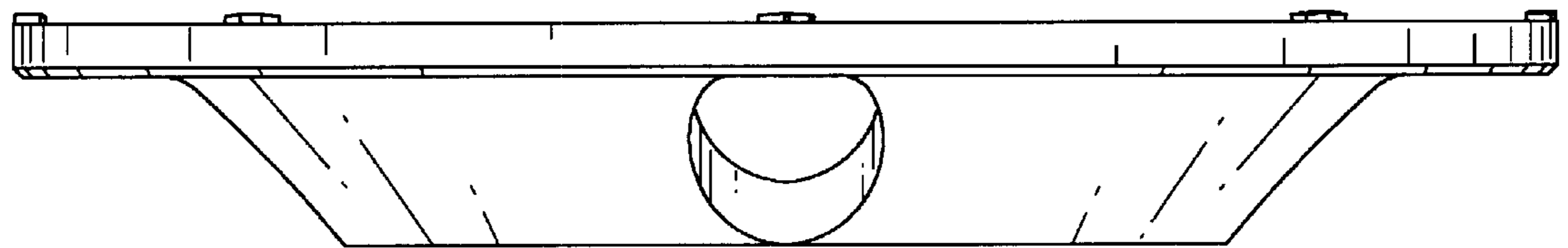




FIG. 17

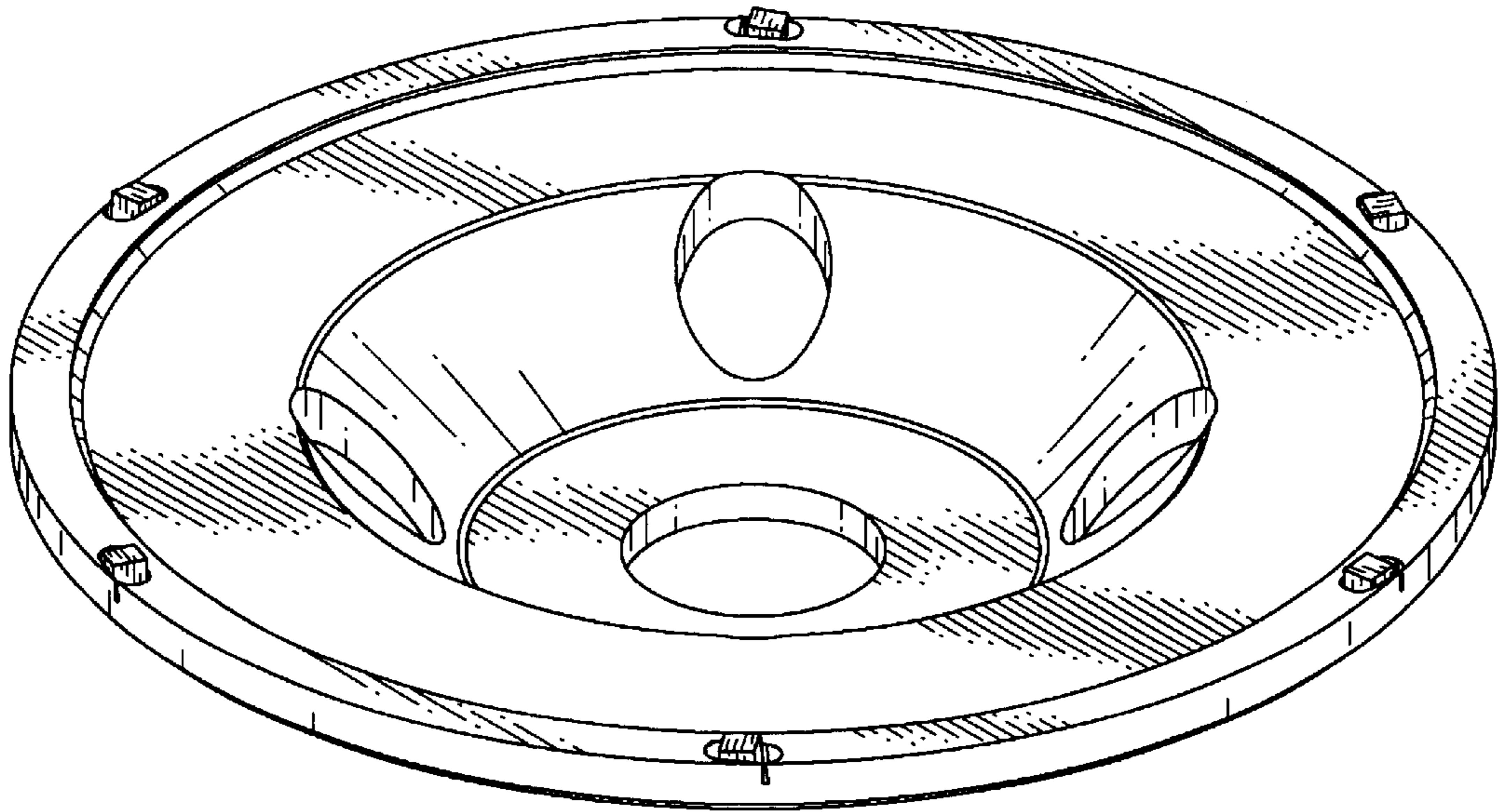


FIG. 18

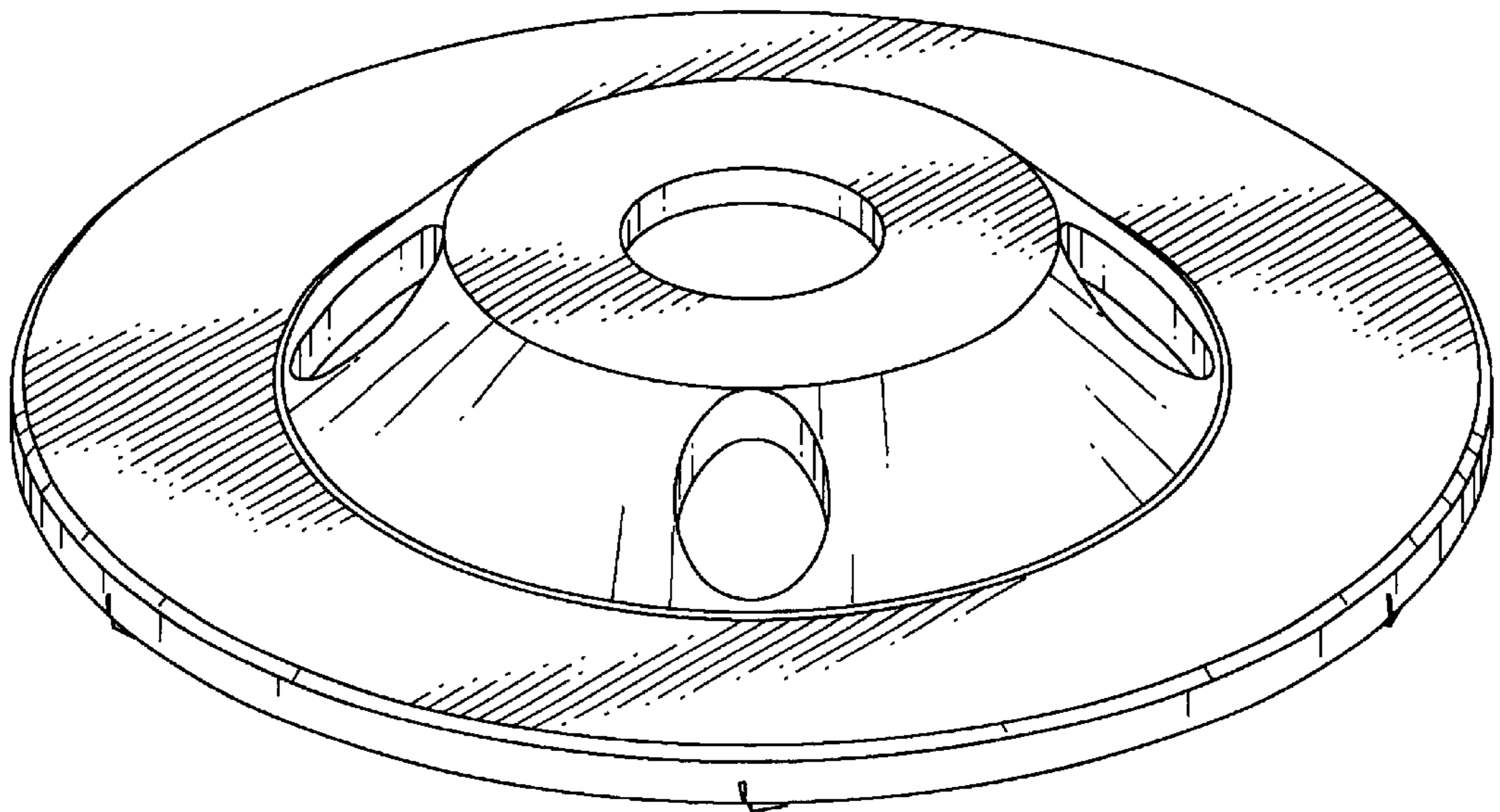


FIG. 19

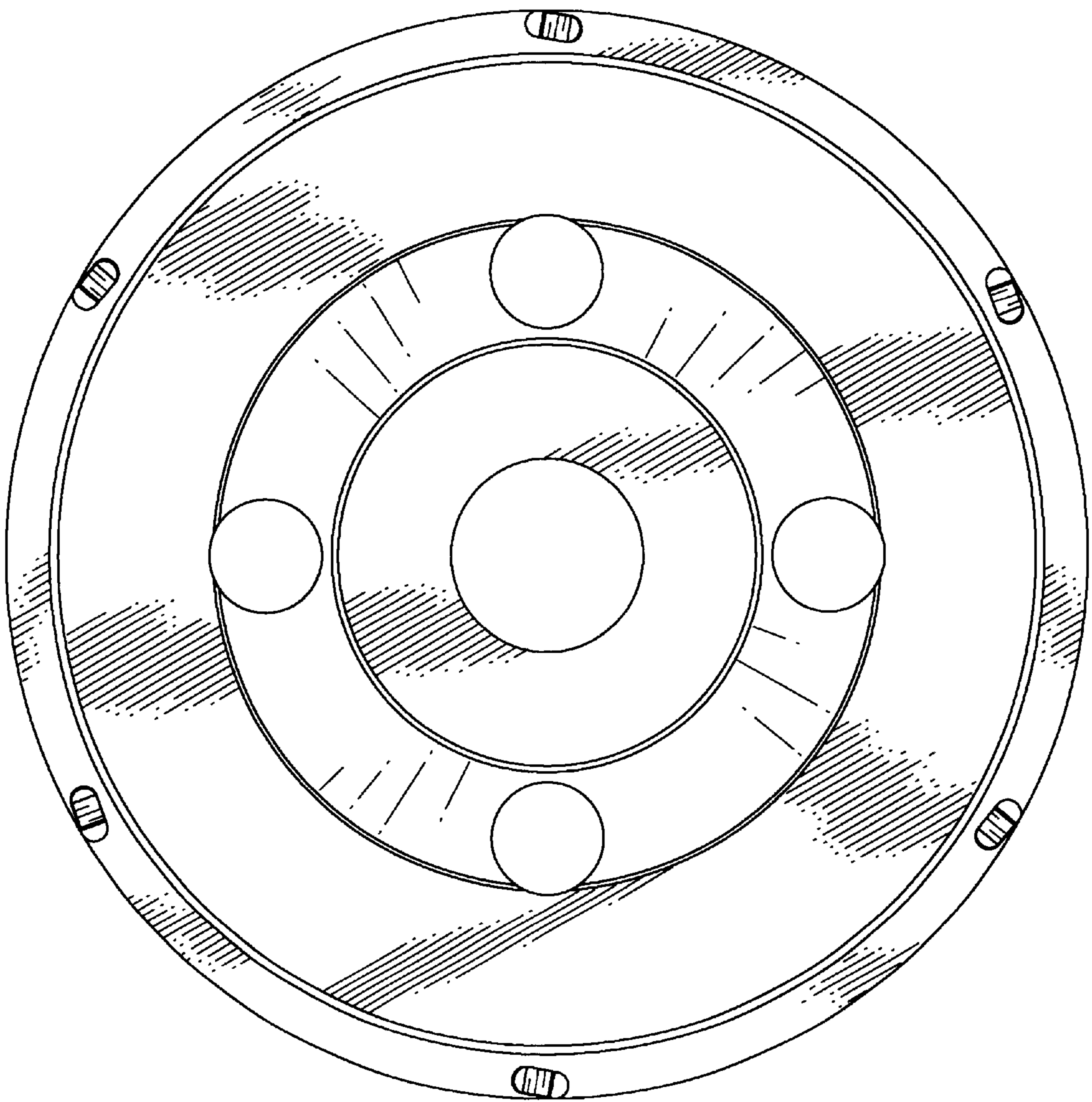


FIG. 20

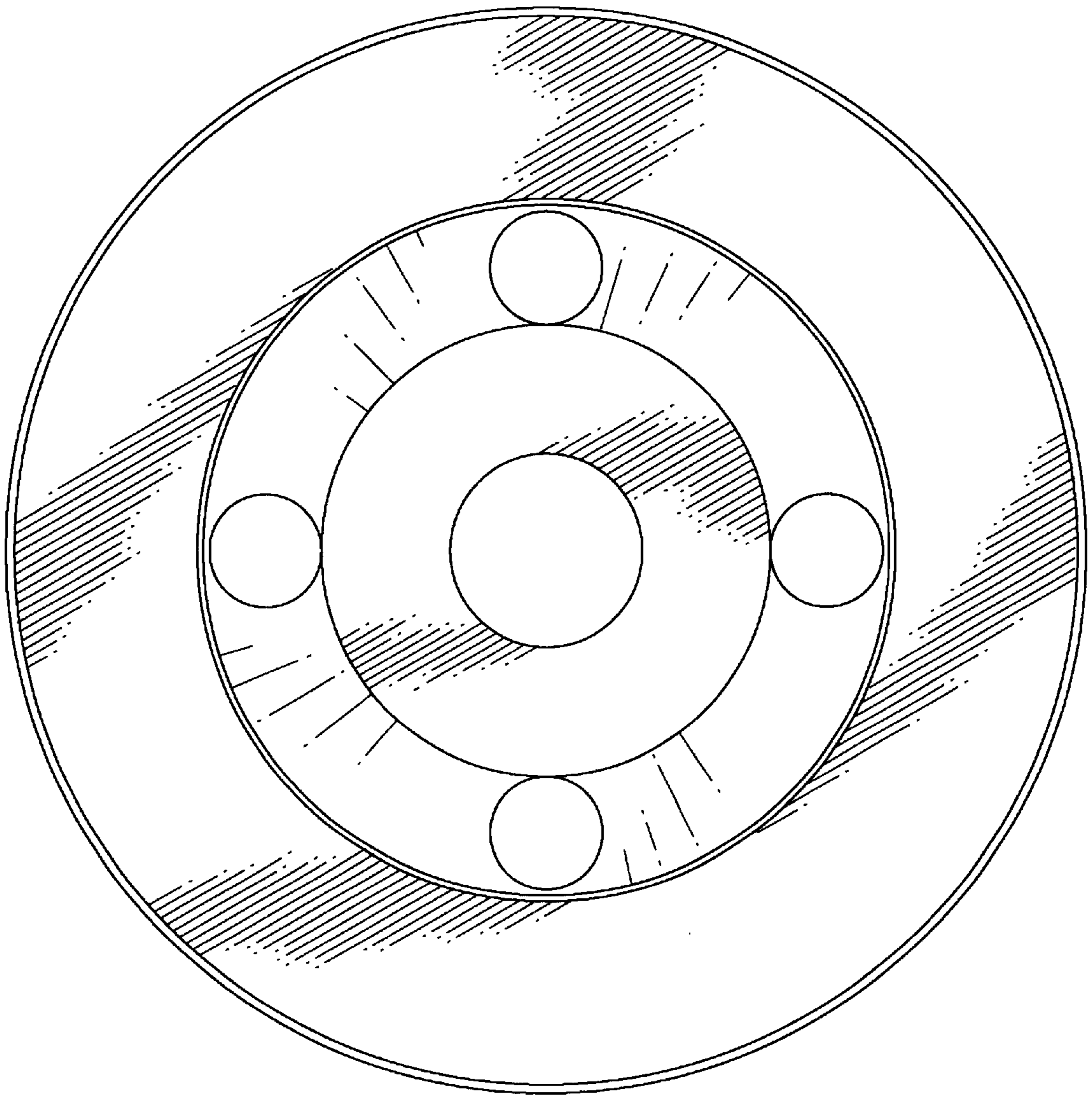




FIG. 21

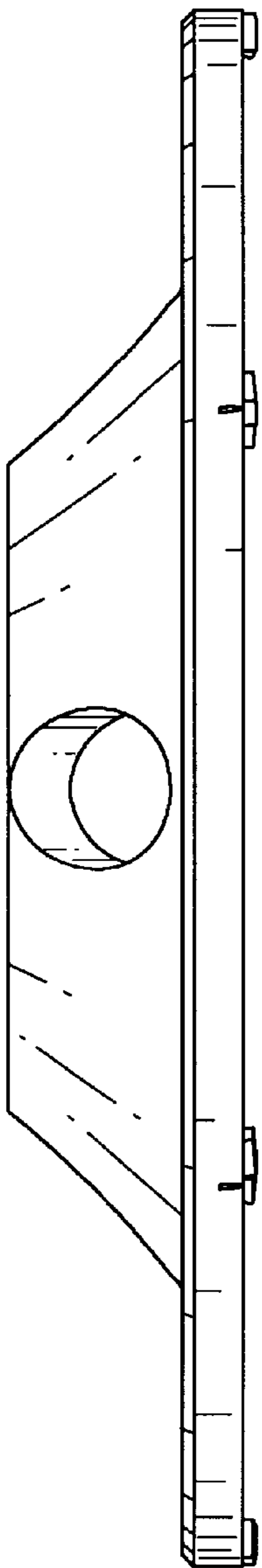


FIG. 22

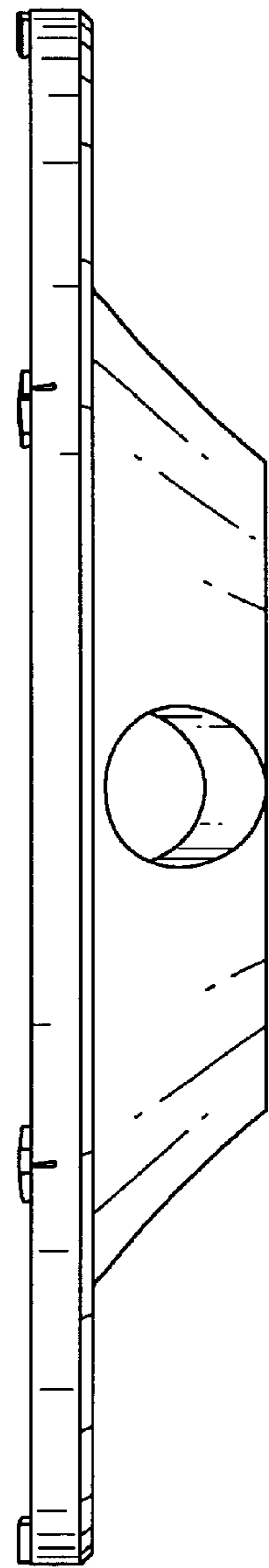


FIG. 23

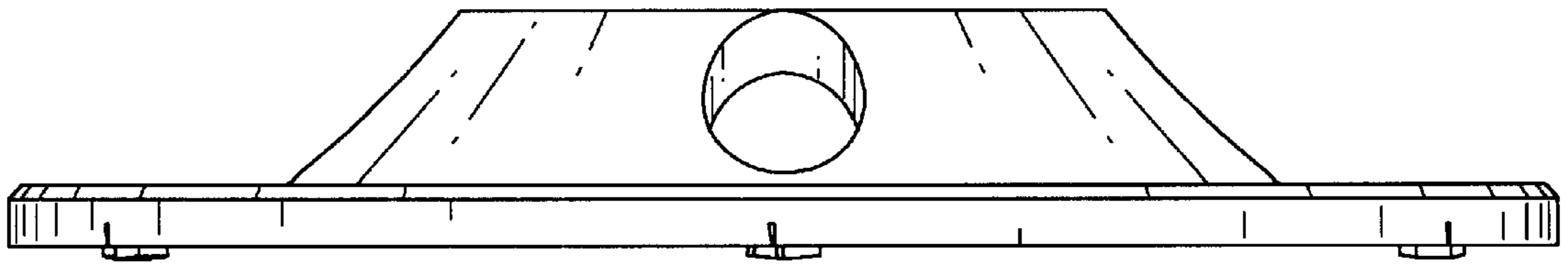


FIG. 24

