



US00D472564S

(12) **United States Design Patent**
Corcoran et al.

(10) **Patent No.:** **US D472,564 S**

(45) **Date of Patent:** **** Apr. 1, 2003**

(54) **DIE PRESS**

D341,842 S * 11/1993 Eichenberg et al. D15/123
D359,967 S * 7/1995 Eichenberg et al. D15/123

(75) Inventors: **Kevin L. Corcoran**, Mission Viejo, CA (US); **David L. Hughes, Jr.**, Rancho Santa Margarita, CA (US); **Guorui Deng**, Dong Guan (CN); **Faye Angevine**, Taipei (TW)

* cited by examiner

Primary Examiner—Antoine Duval Davis
(74) *Attorney, Agent, or Firm*—Thomas E. Coverstone, Esq.; Procopio, Cory, Hargreaves & Savitch, LLP

(73) Assignee: **Ellison Educational Equipment, Inc.**, Lake Forest, CA (US)

(57) **CLAIM**

(**) Term: **14 Years**

The ornamental design for a die press, as shown and described.

(21) Appl. No.: **29/159,696**

DESCRIPTION

(22) Filed: **Apr. 26, 2002**

FIG. 1 is a front perspective view of a die press of the present invention;

(51) **LOC (7) Cl.** **15-09**

FIG. 2 is a left side elevational view thereof;

(52) **U.S. Cl.** **D15/123**

FIG. 3 is a right side elevational view thereof;

(58) **Field of Search** D15/123, 135, D15/136; 100/282, 233, 245, 902

FIG. 4 is a top plan view thereof;

FIG. 5 is a bottom plan view thereof;

FIG. 6 is a rear elevational view thereof; and,

FIG. 7 is a front elevational view thereof.

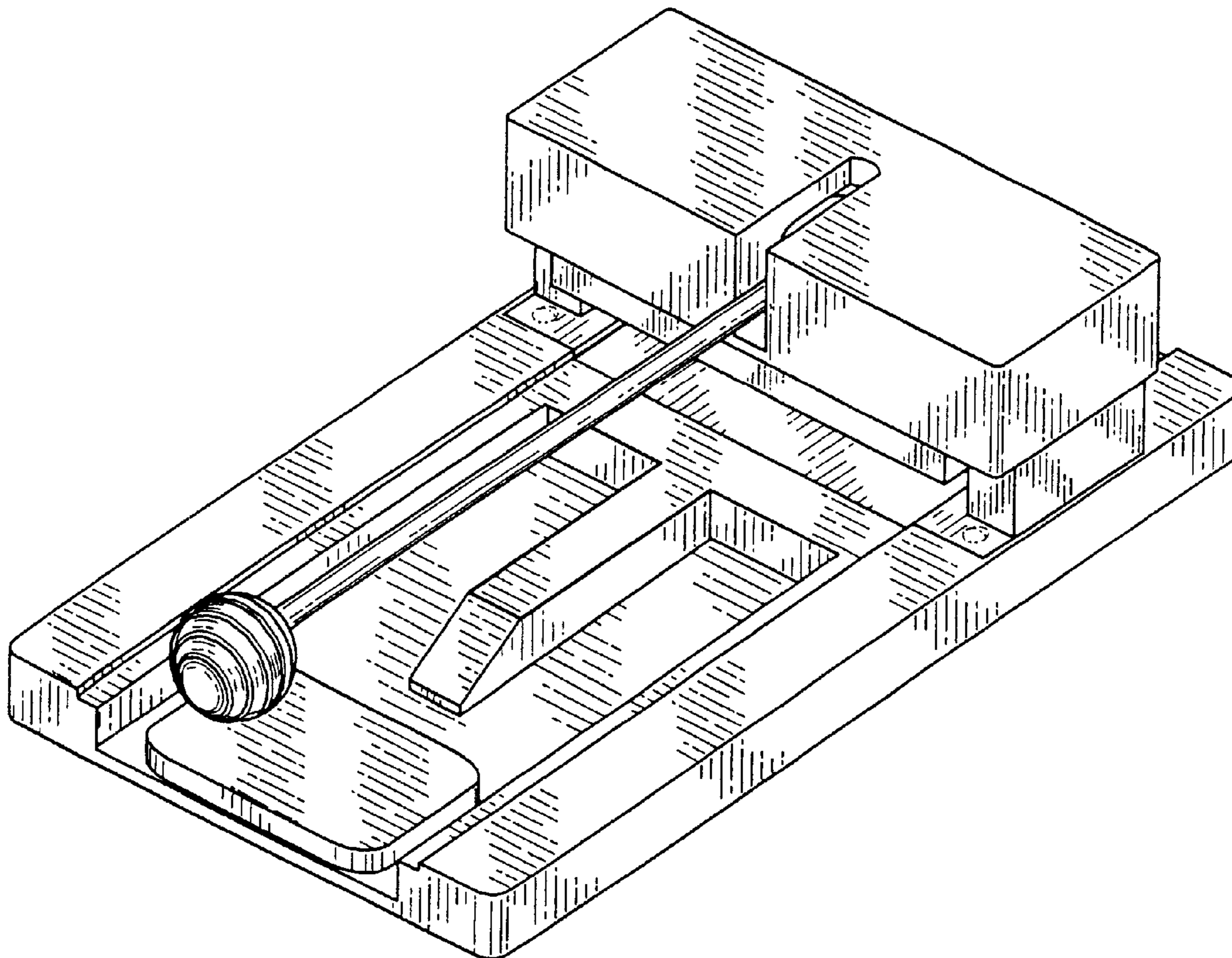
(56) **References Cited**

The ornamental design for a die press, as shown and described.

U.S. PATENT DOCUMENTS

D211,608 S * 7/1968 Gray D15/123

1 Claim, 4 Drawing Sheets



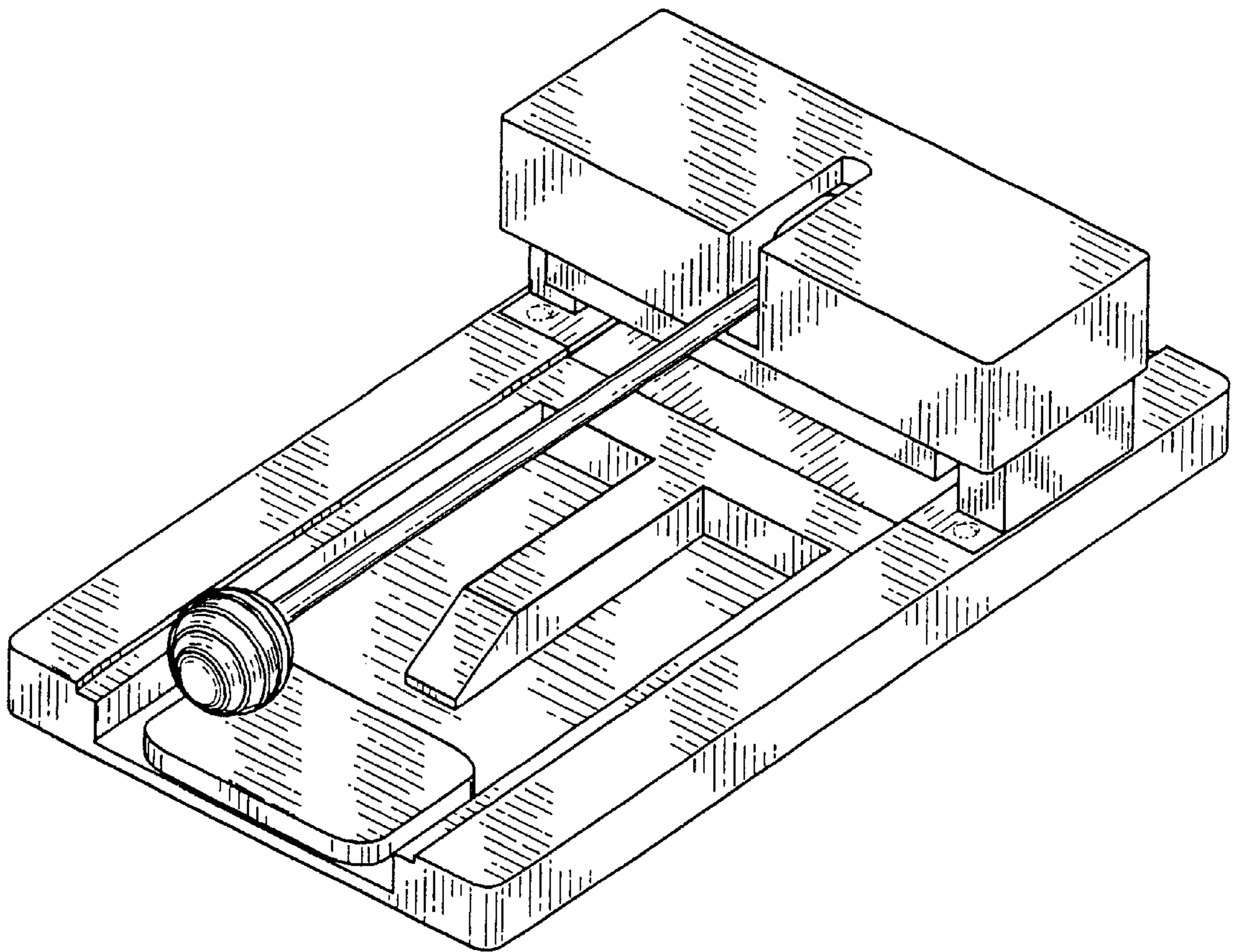


FIG. 1

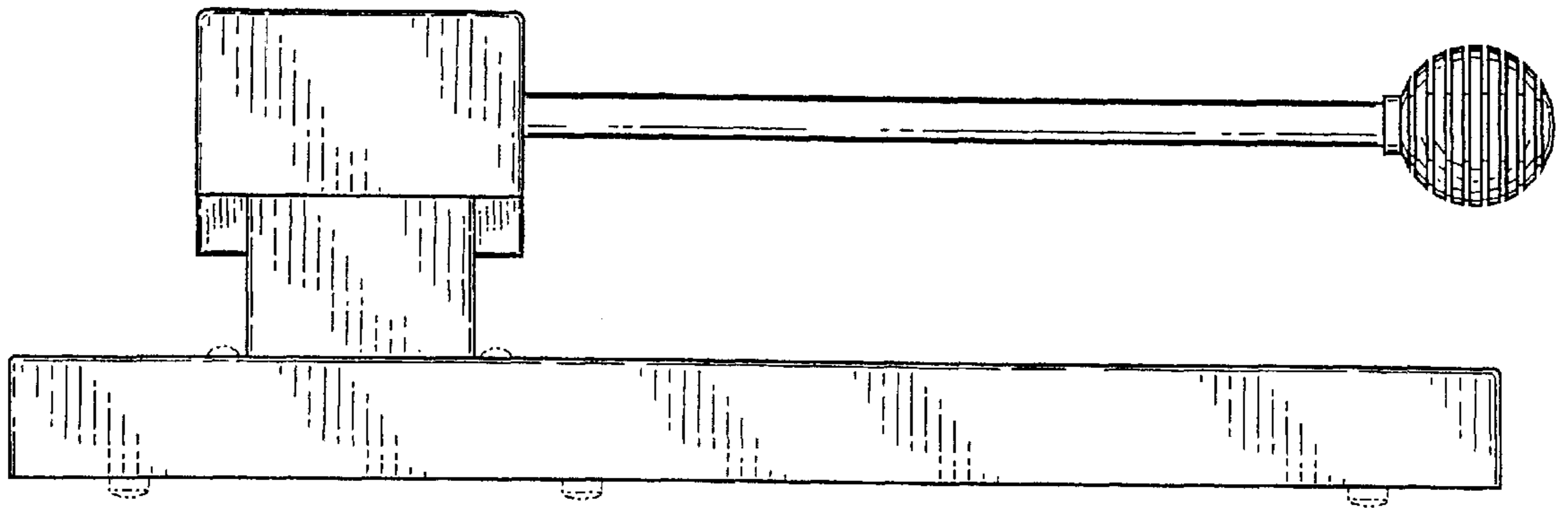


FIG. 2

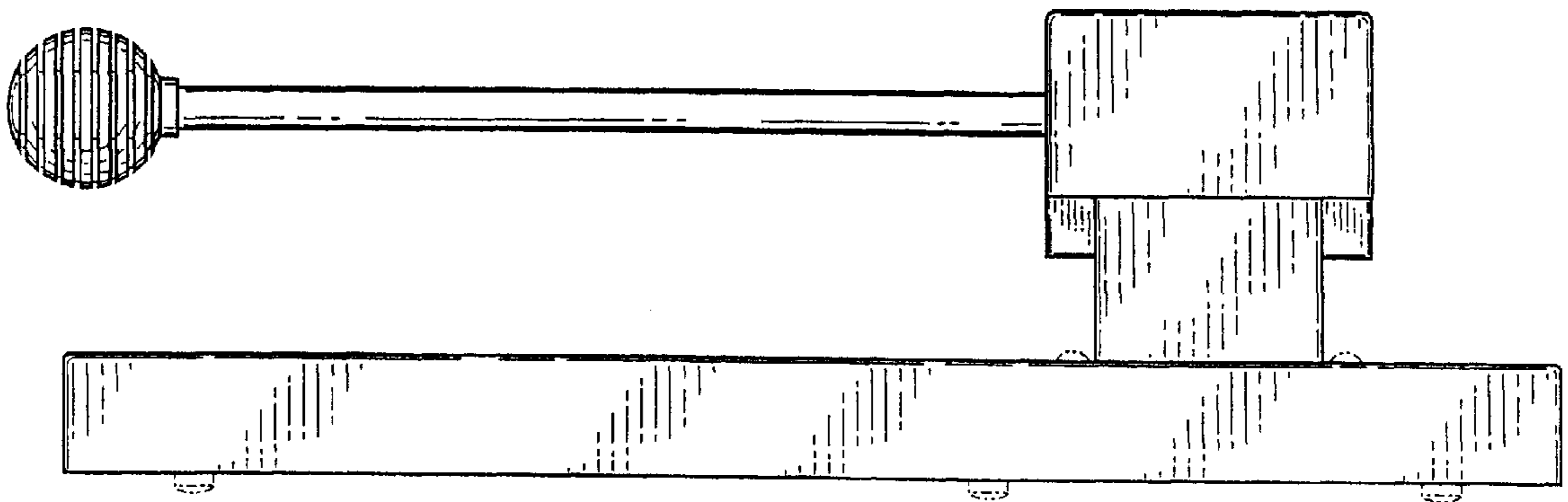


FIG. 3

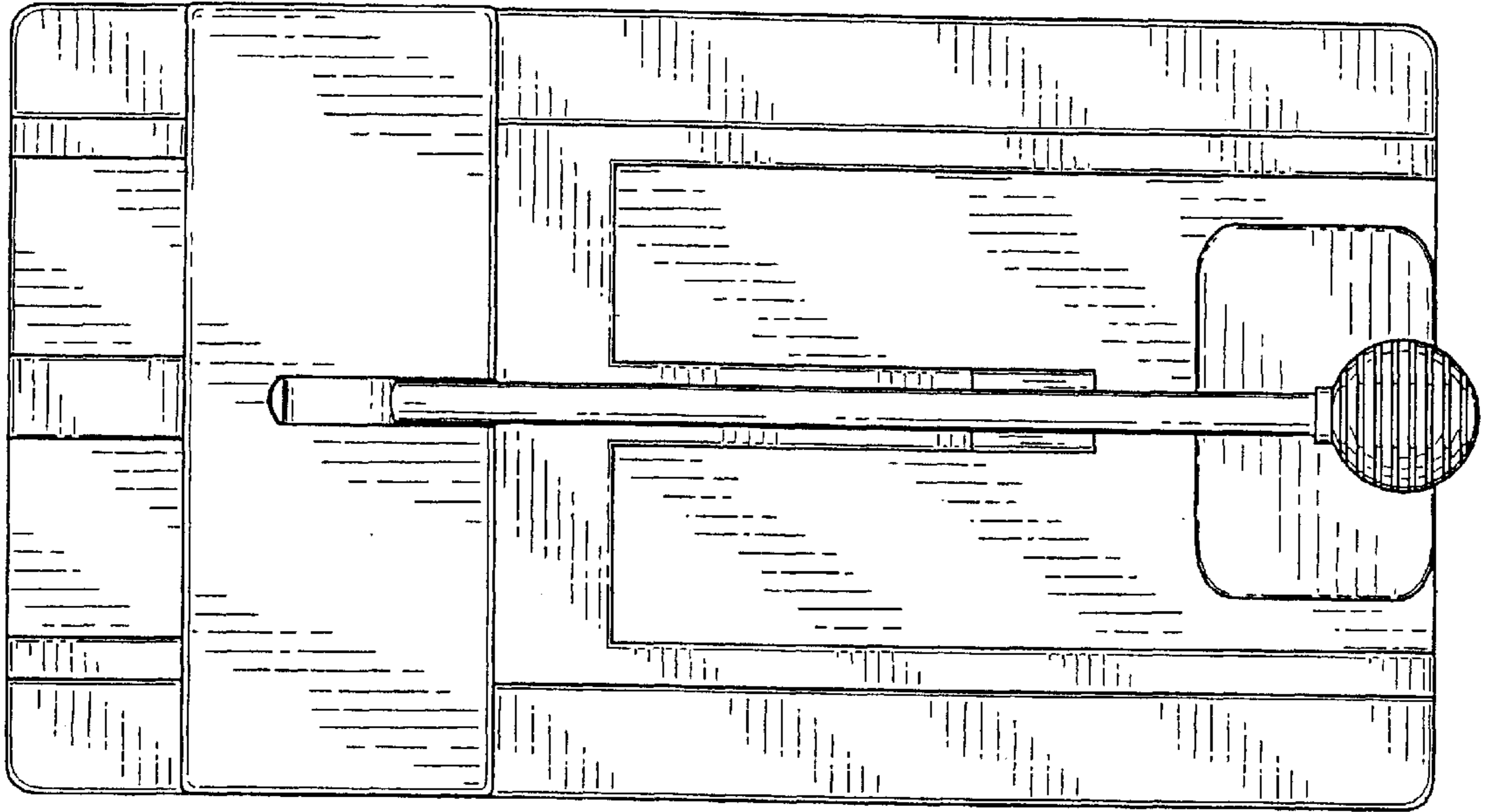


FIG. 4

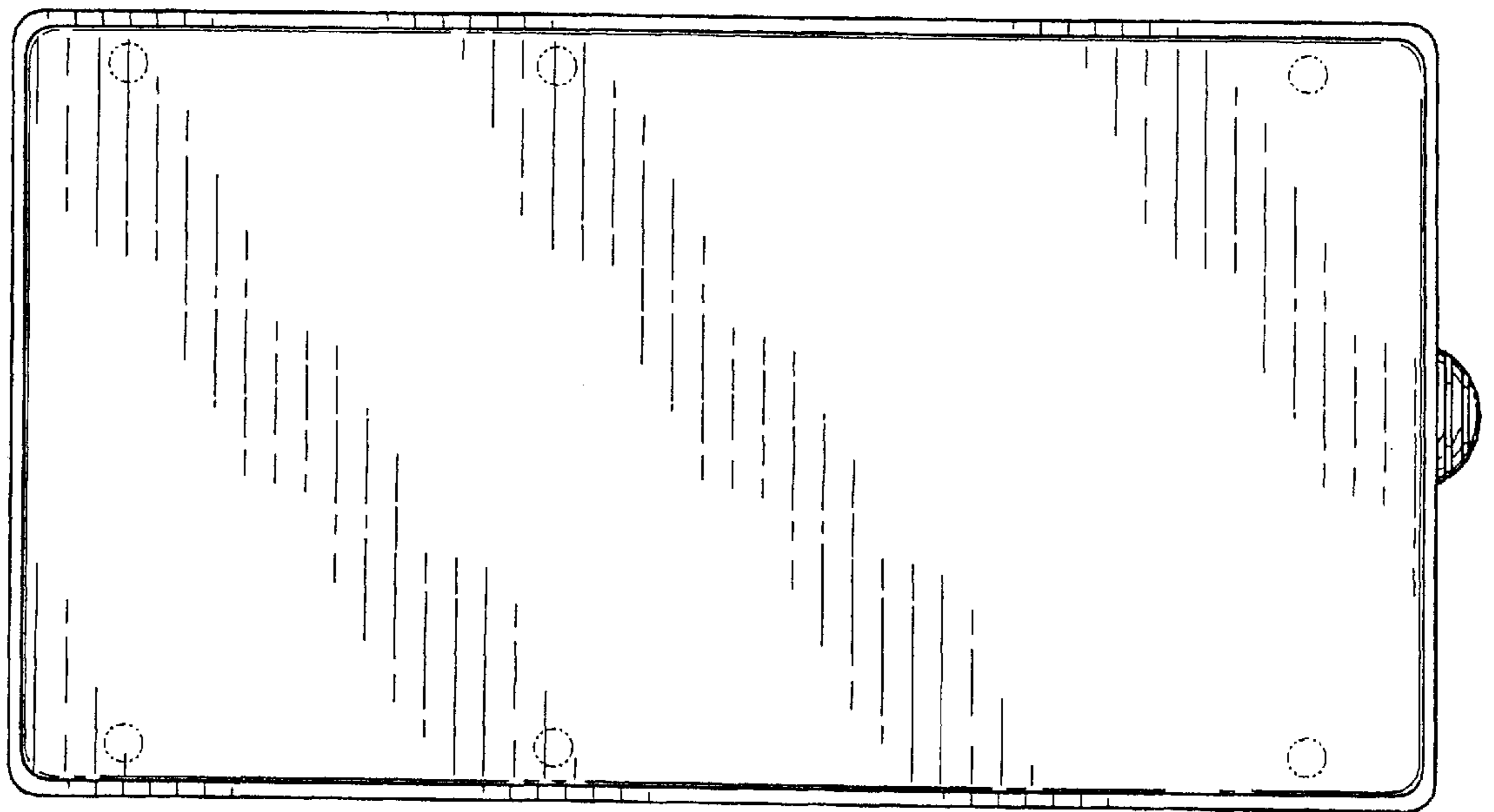


FIG. 5

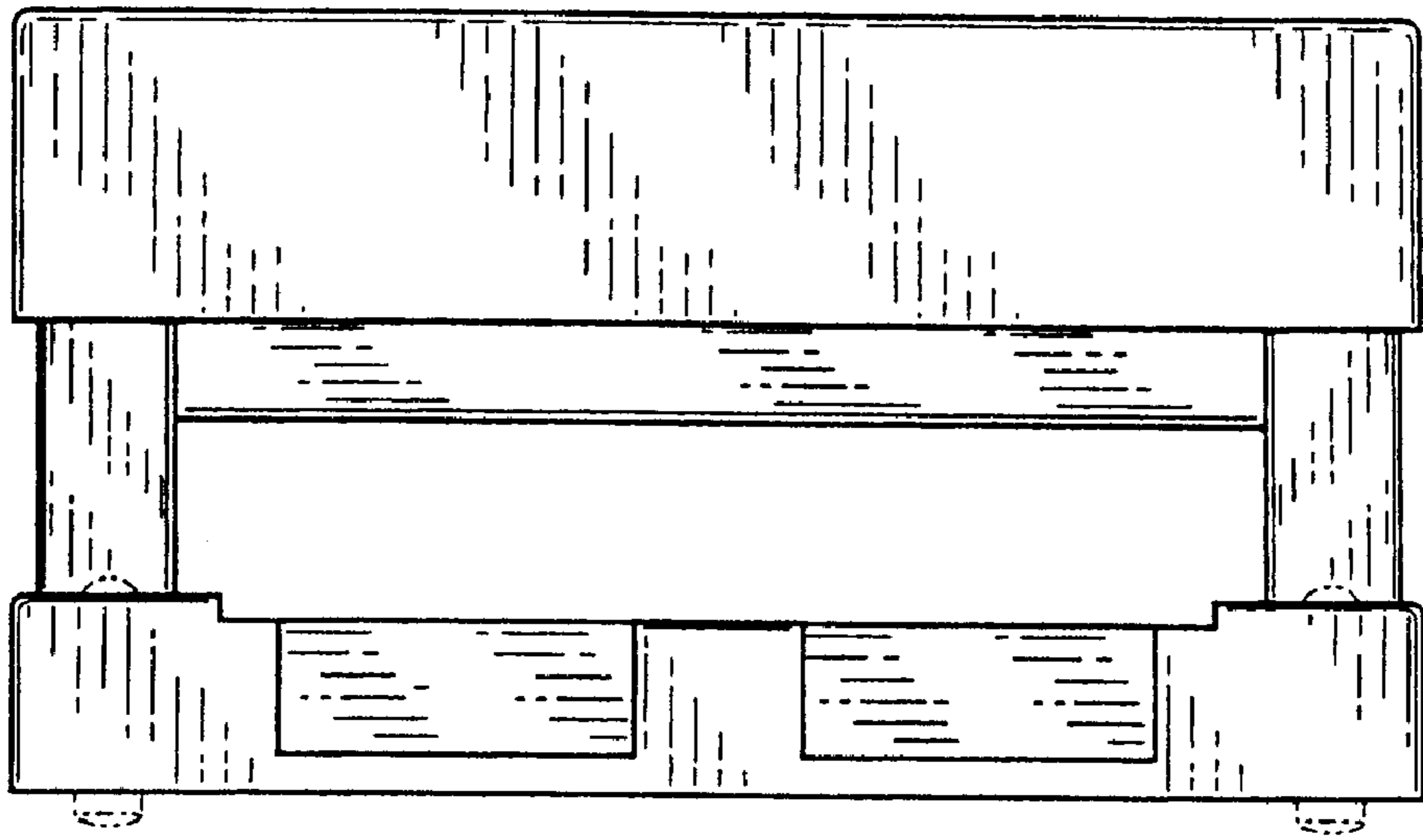


FIG. 6

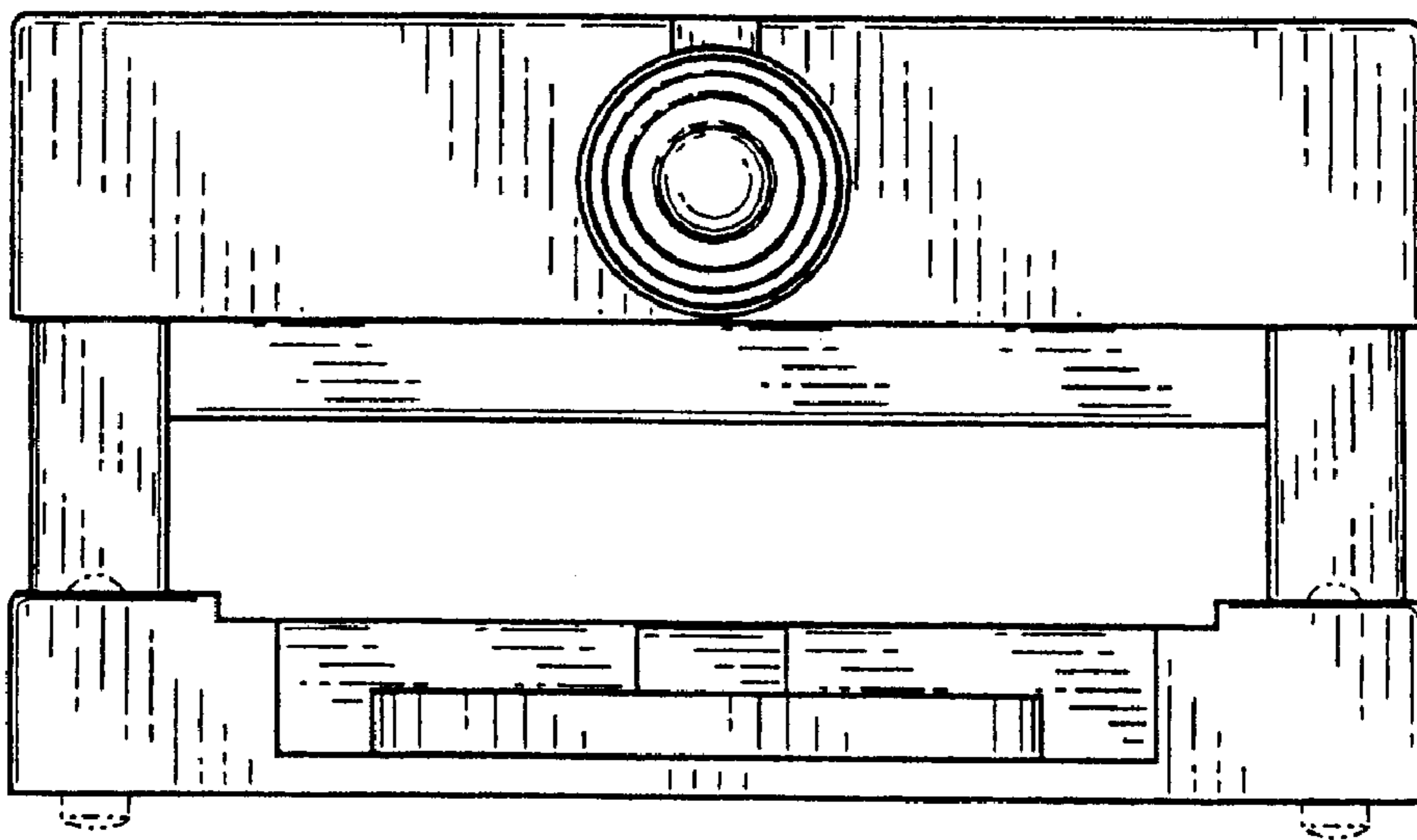


FIG. 7