



US00D472562S

(12) **United States Design Patent**  
**Yamamoto et al.**

(10) **Patent No.:** **US D472,562 S**

(45) **Date of Patent:** **\*\* \*Apr. 1, 2003**

(54) **SEWING MACHINE**

D430,886 S \* 9/2000 Yamamoto ..... D15/69  
D450,720 S \* 11/2001 Kuroki ..... D15/69

(75) Inventors: **Shigemi Yamamoto**, Chofu (JP);  
**Shigemasa Kato**, Chofu (JP)

\* cited by examiner

(73) Assignee: **Juki Corporation**, Tokyo (JP)

*Primary Examiner*—Mitchell Siegel  
(74) *Attorney, Agent, or Firm*—Morgan & Finnegan LLP

(\*) Notice: This patent is subject to a terminal disclaimer.

(57) **CLAIM**

(\*\*) Term: **14 Years**

The ornamental design for a sewing machine, as shown and described.

(21) Appl. No.: **29/142,079**

**DESCRIPTION**

(22) Filed: **May 17, 2001**

FIG. 1. is a front view of a sewing machine showing our new design.

(30) **Foreign Application Priority Data**

Nov. 17, 2000 (JP) ..... 2000-032885

FIG. 2. is a back view thereof.

(51) **LOC (7) Cl.** ..... **15-06**

FIG. 3 is a left side view thereof.

(52) **U.S. Cl.** ..... **D15/69**

FIG. 4. is a right side view thereof.

(58) **Field of Search** ..... D15/66-76; 112/258-261,  
112/63, 217.1-219.4, 444

FIG. 5. is a top plan view thereof.

FIG. 6. is a bottom plan view thereof.

FIG. 7. is a front, top and right side perspective view thereof; and,

(56) **References Cited**

FIG. 8. is a cross-sectional view thereof taken along line 8-8 of FIG. 1.

**U.S. PATENT DOCUMENTS**

D403,333 S \* 12/1998 Takada et al. .... D15/70

**1 Claim, 4 Drawing Sheets**

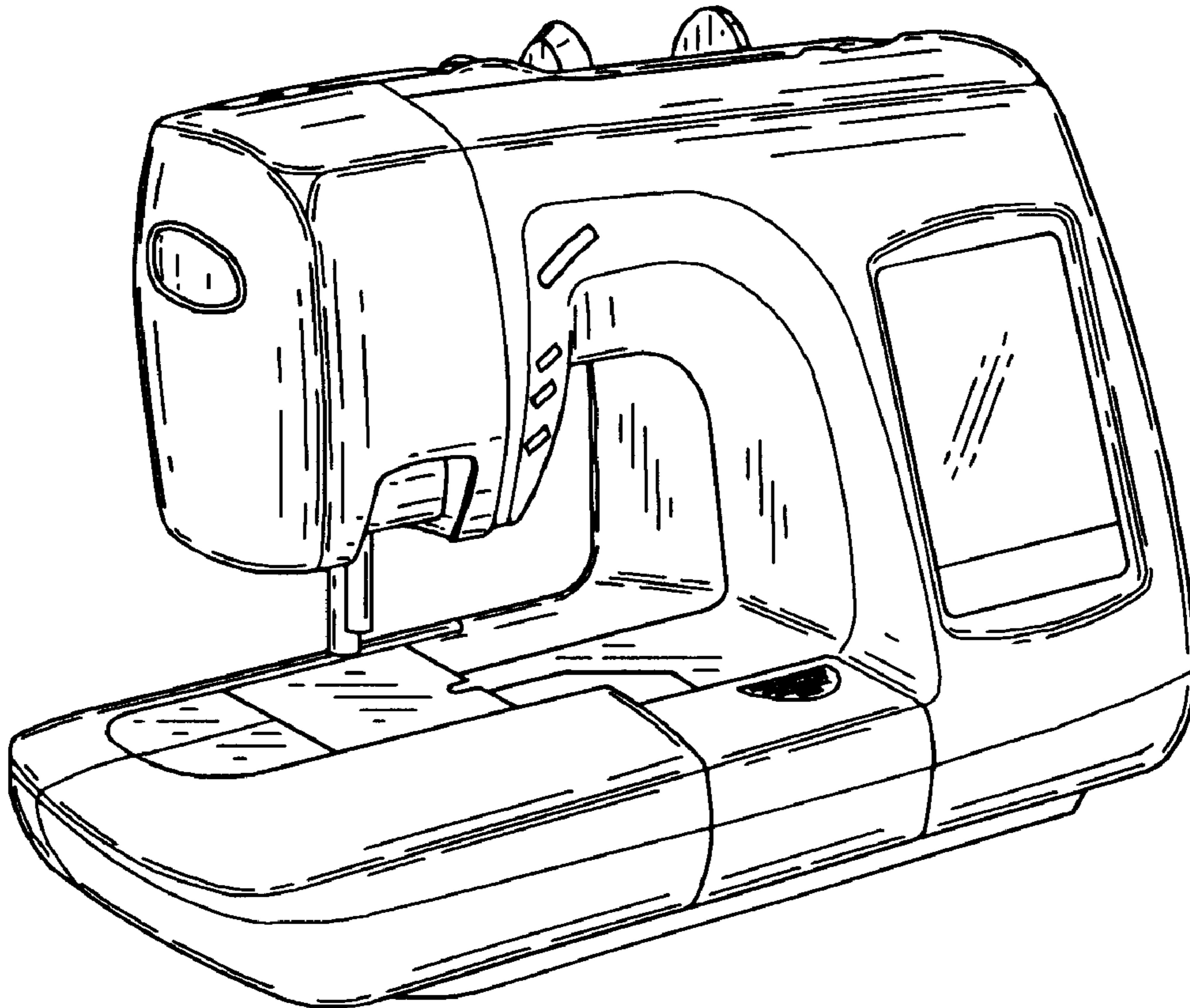


FIG. 1

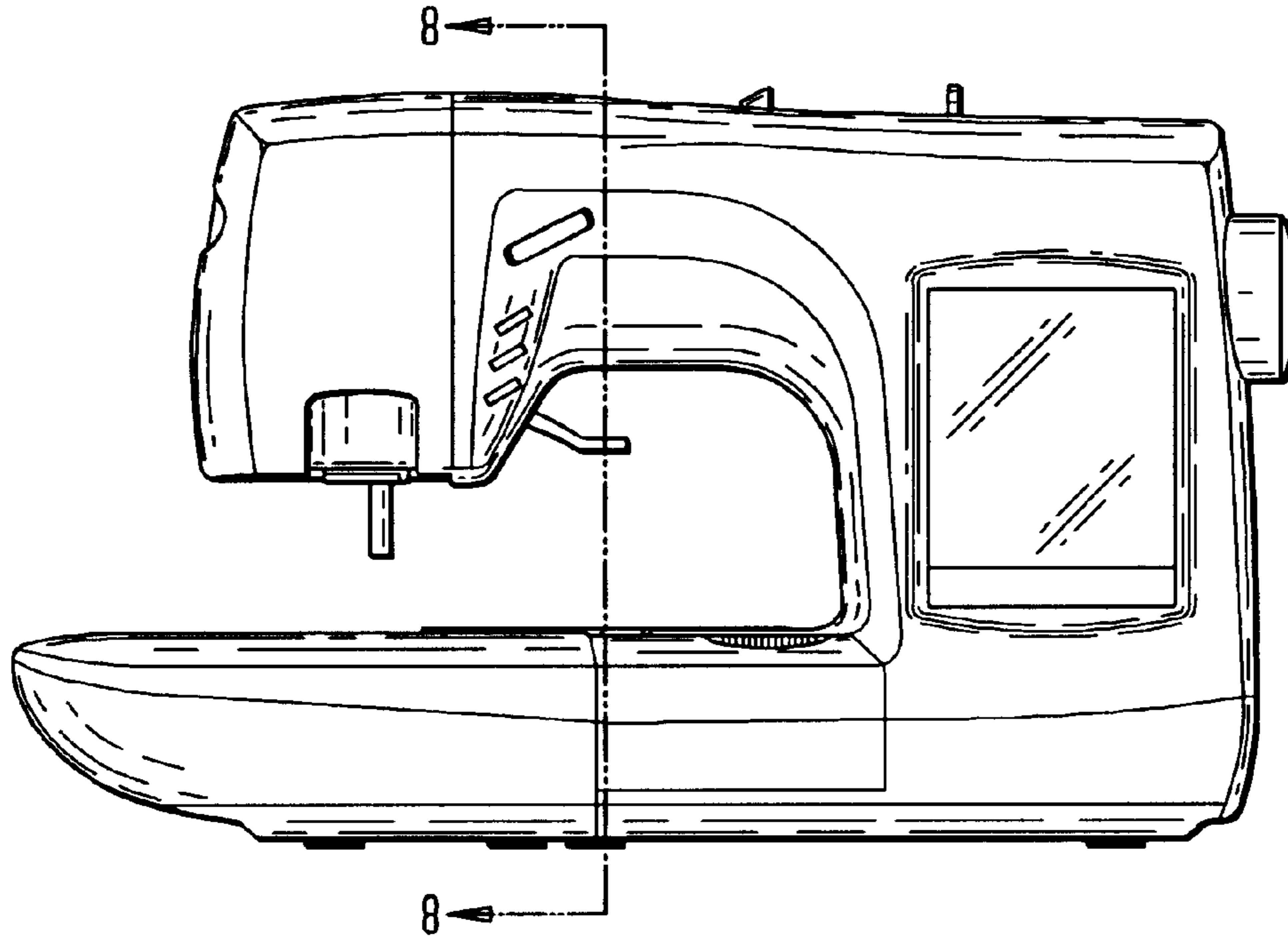
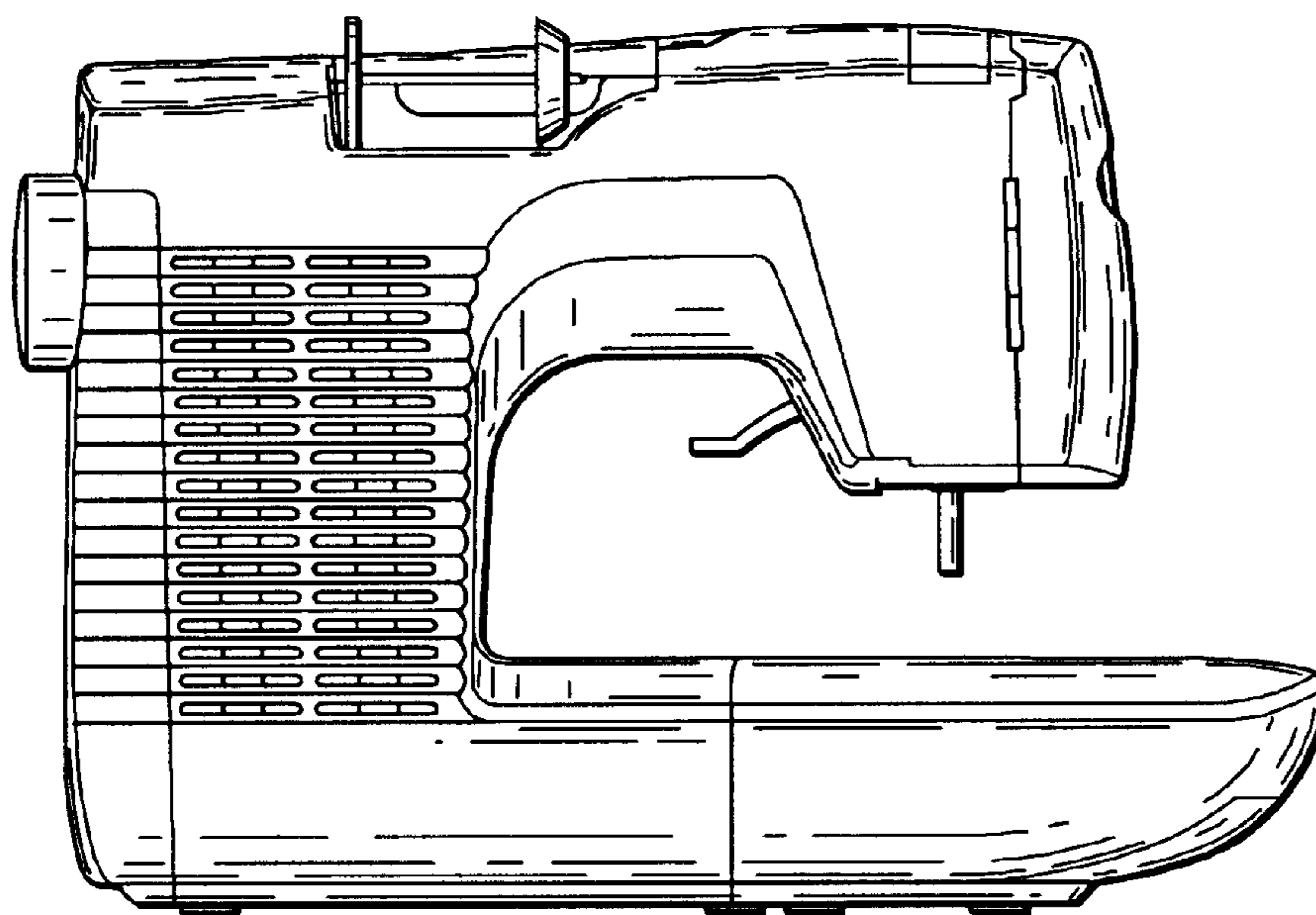
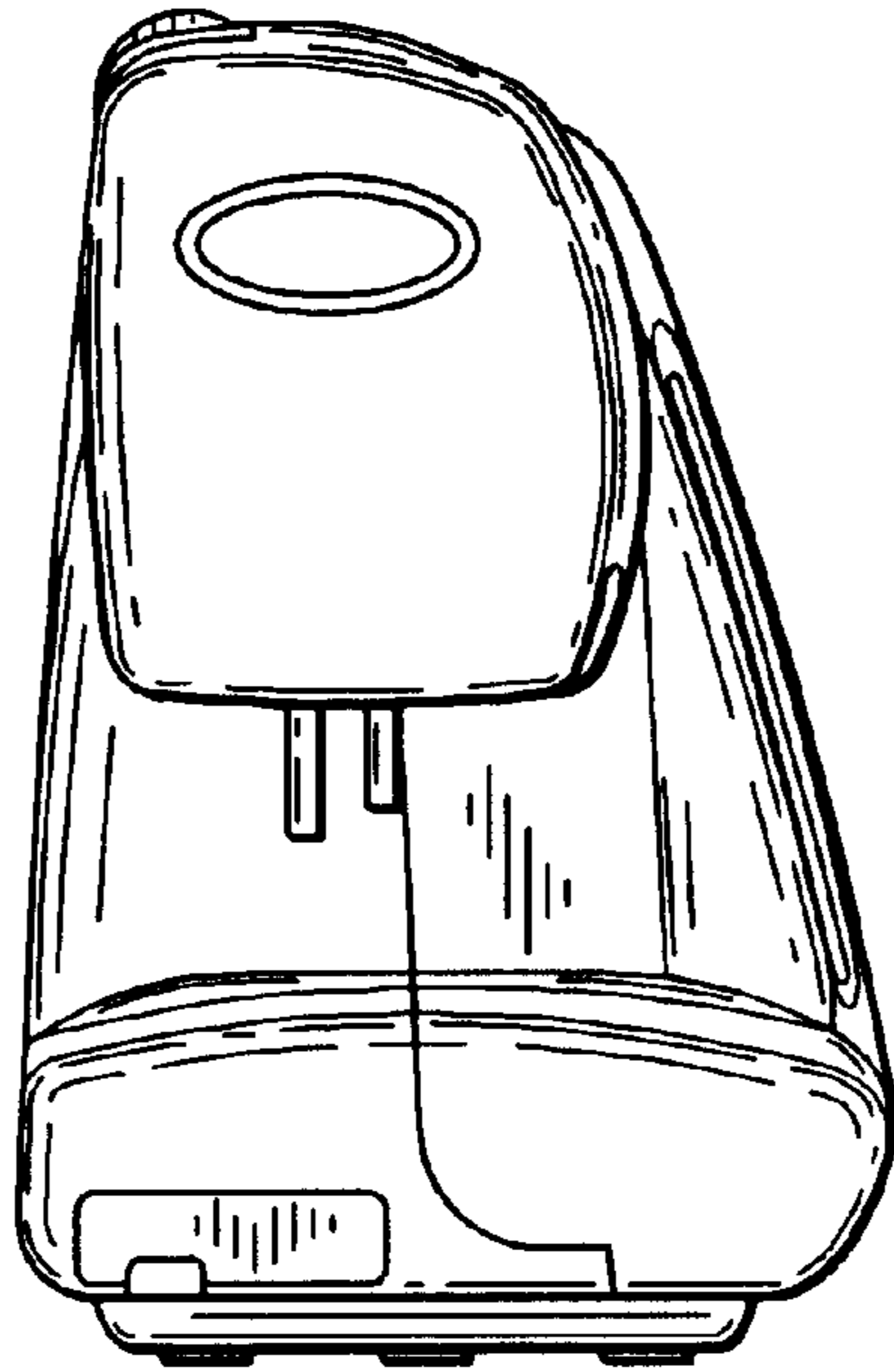


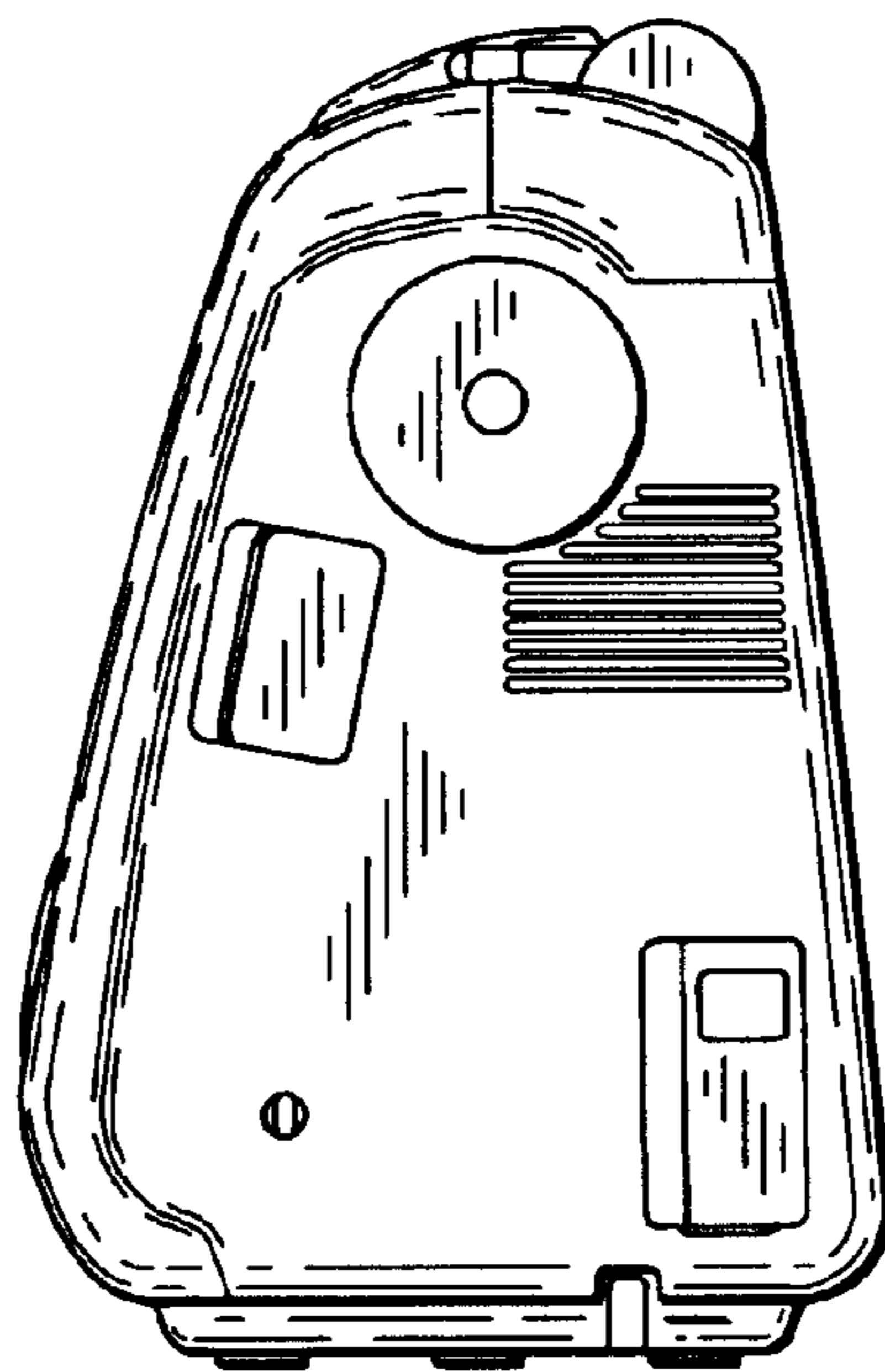
FIG. 2



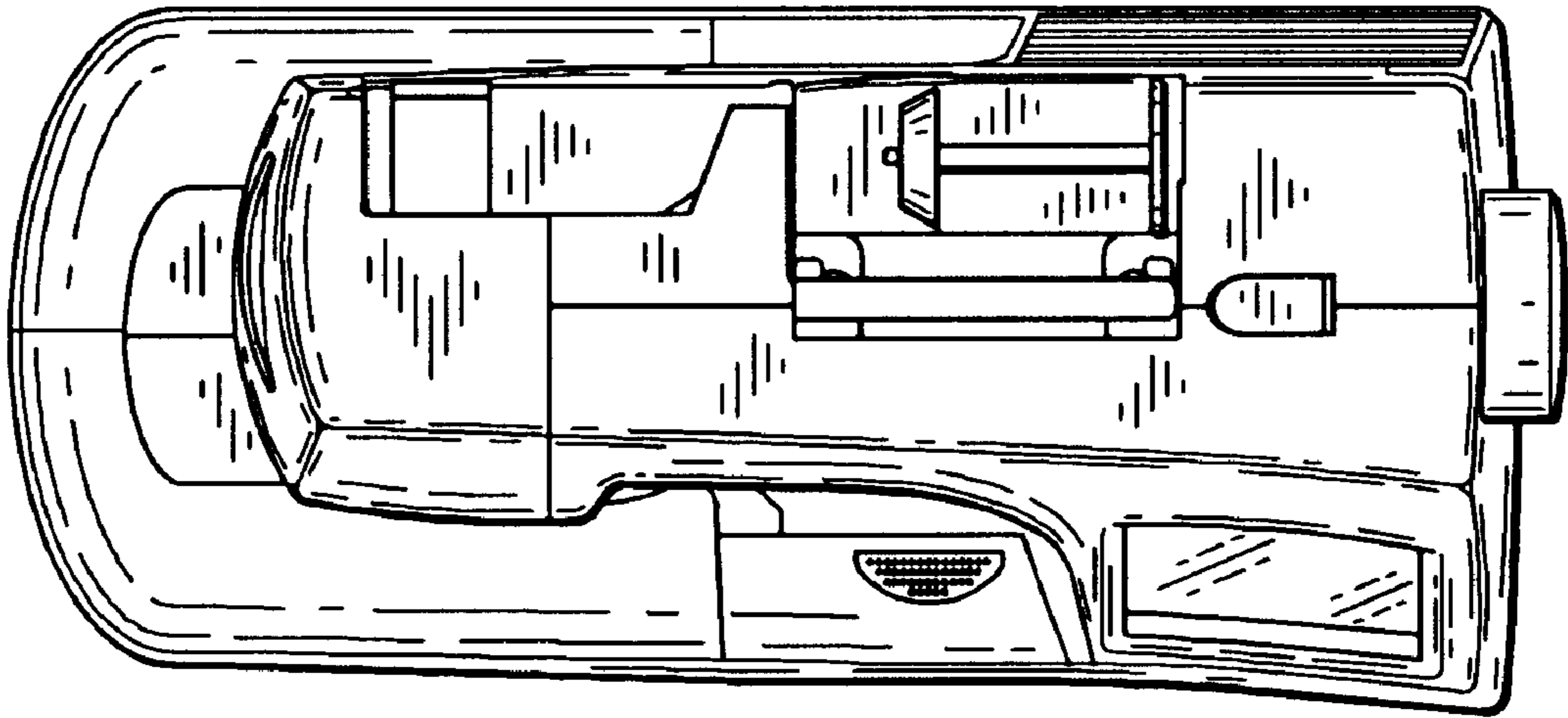
*FIG. 3*



*FIG. 4*



*FIG. 5*



*FIG. 6*

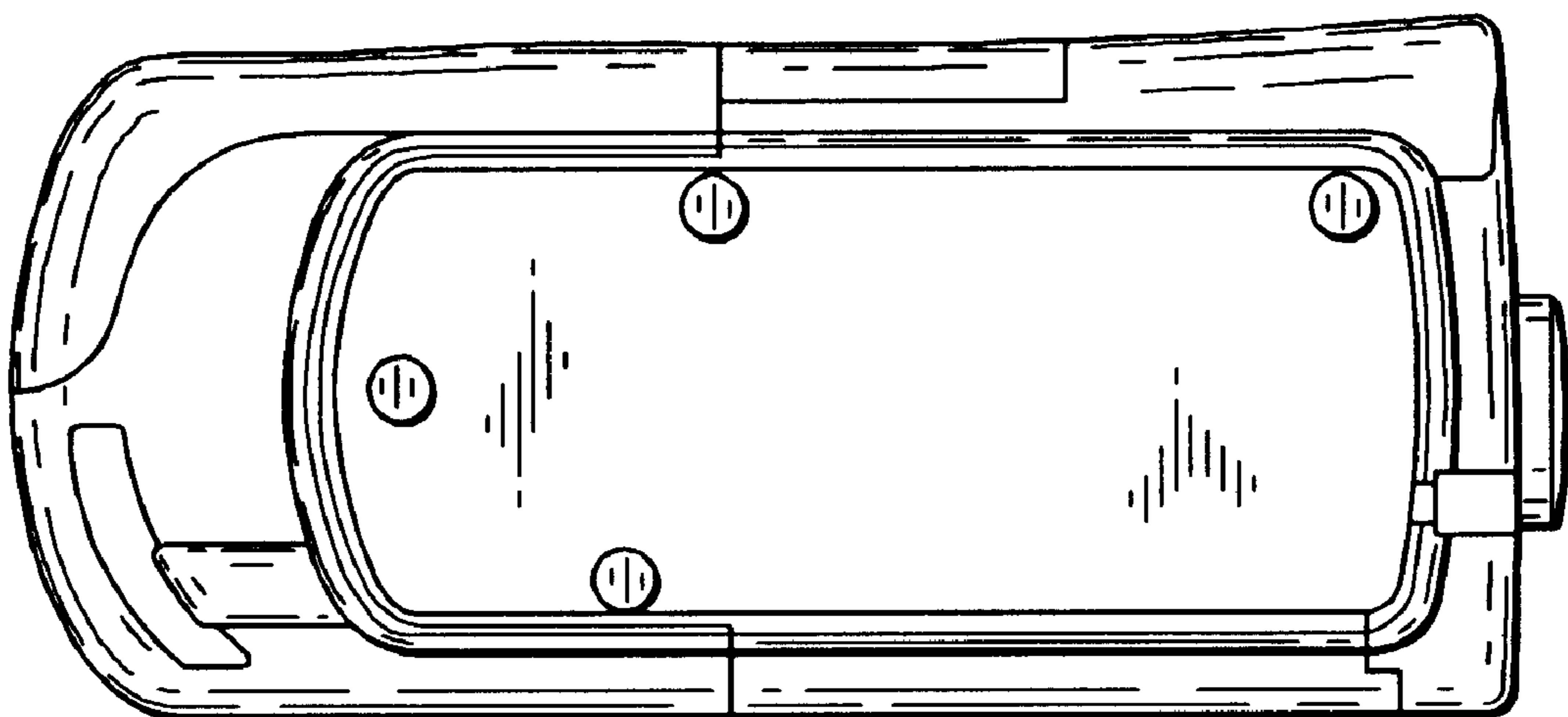


FIG. 7

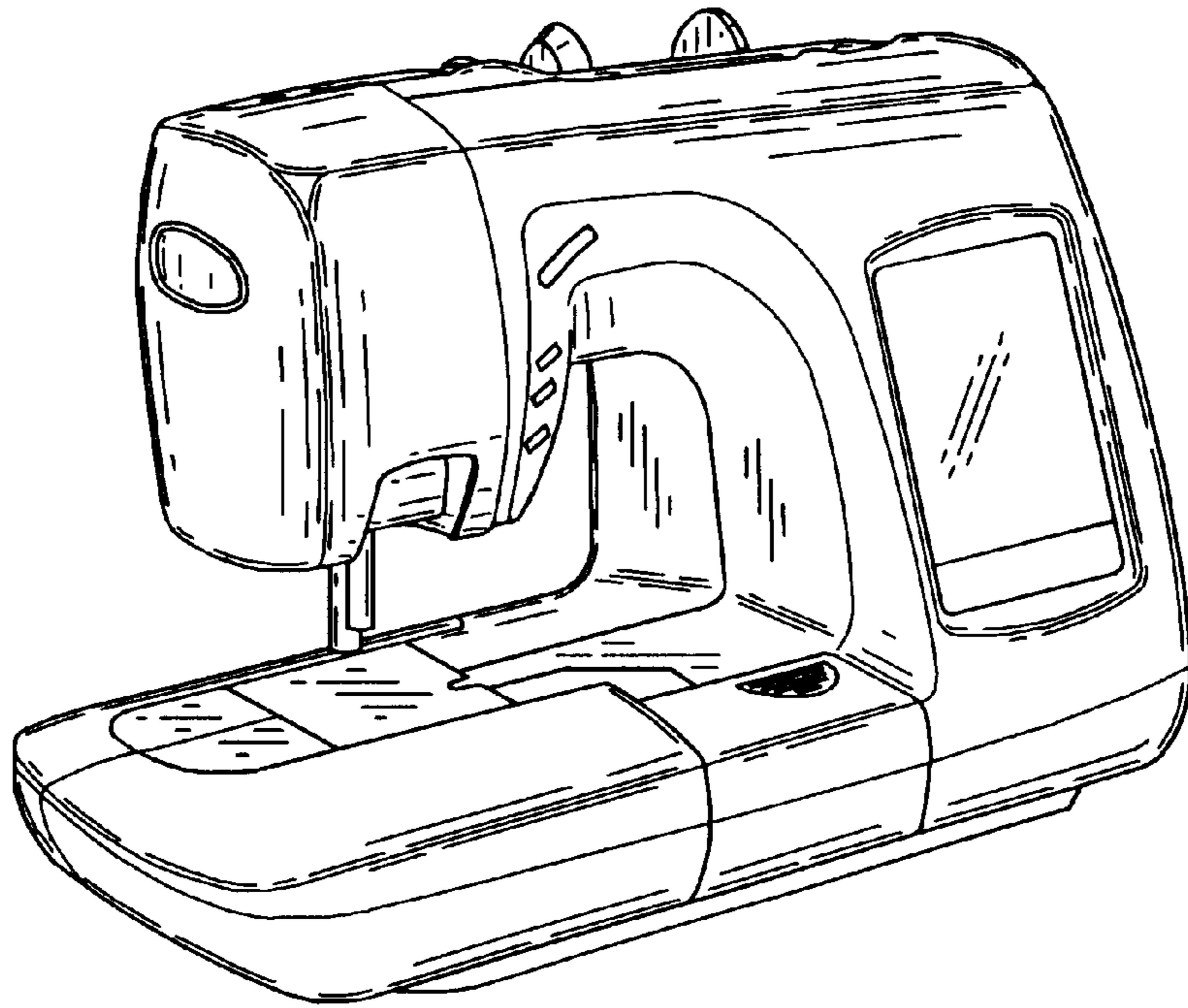


FIG. 8

