



US00D472560S

(12) **United States Design Patent**
Shiau

(10) **Patent No.:** **US D472,560 S**

(45) **Date of Patent:** **** Apr. 1, 2003**

(54) **COVER OF COMPRESSOR**

(76) Inventor: **Yih-Ming Shiau**, No.427, Sec.2,
Doou-Chung Rd., Tein Chung, Chang
Haw Hsien (TW)

(**) Term: **14 Years**

(21) Appl. No.: **29/149,823**

(22) Filed: **Oct. 19, 2001**

(51) **LOC (7) Cl.** **15-02**

(52) **U.S. Cl.** **D15/9**

(58) **Field of Search** D15/7-9; 417/415,
417/419, 234, 229, 321, 410-411, 265,
405

(56) **References Cited**

U.S. PATENT DOCUMENTS

D293,585 S	*	1/1988	Morgan	D15/9
D327,891 S	*	7/1992	Morgan	D15/9
D352,293 S	*	11/1994	Morgan	D15/9
D352,295 S	*	11/1994	Morgan	D15/9

D367,280 S	*	2/1996	Richardson et al.	D15/9
D444,798 S	*	7/2001	Morgan	D15/9
D446,793 S	*	8/2001	Matthew et al.	D15/9

* cited by examiner

Primary Examiner—Ralf Seifert

(74) *Attorney, Agent, or Firm*—Dennison, Schultz &
Dougherty

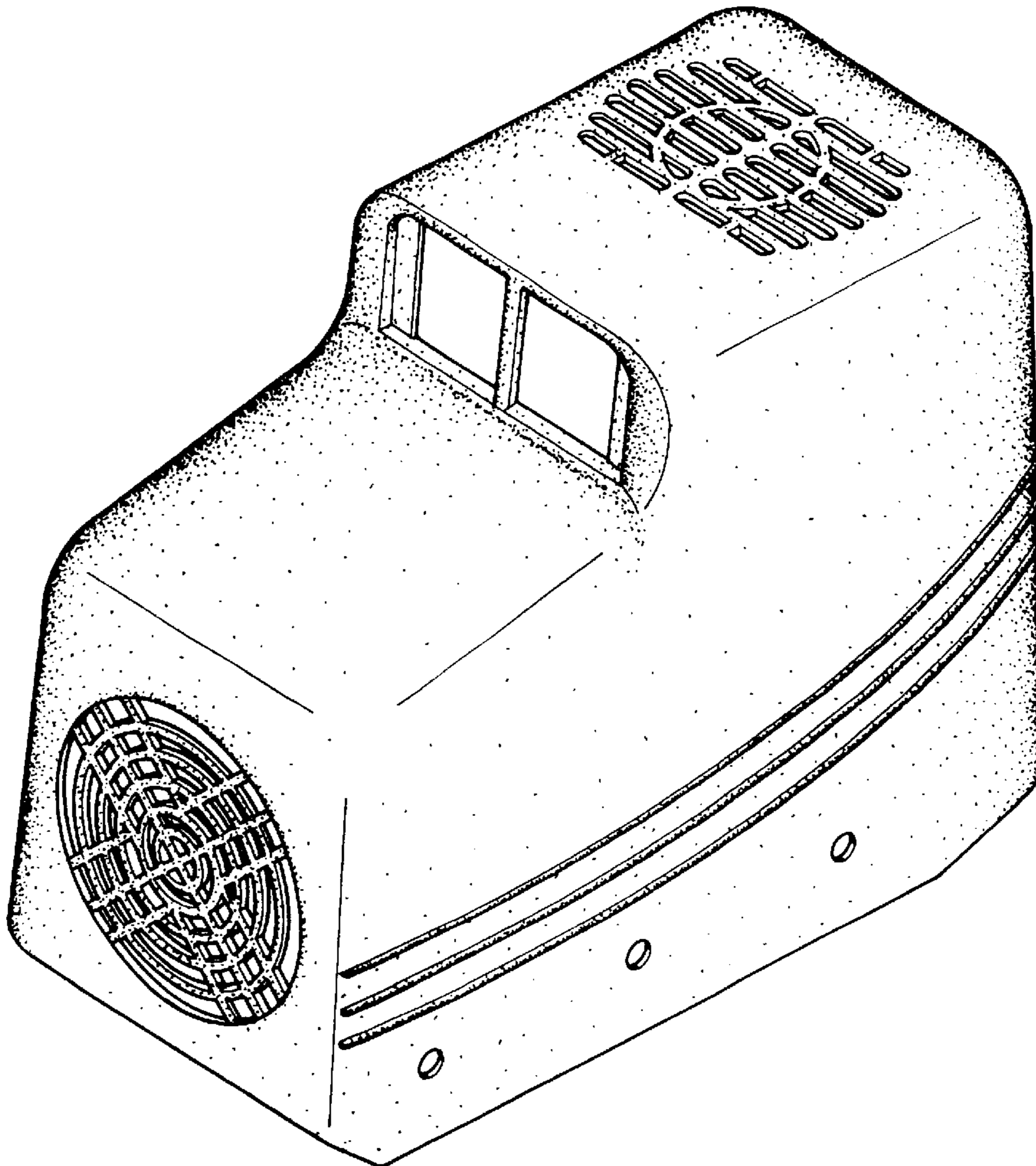
(57) **CLAIM**

The ornamental design for cover of compressor, as shown
and described.

DESCRIPTION

FIG. 1 is a perspective view of a cover of compressor
showing my new design;
FIG. 2 is a side elevation view thereof;
FIG. 3 is a side elevation view thereof;
FIG. 4 is a front elevation view thereof;
FIG. 5 is a bottom plan view thereof;
FIG. 6 is an elevation view of side opposite to FIG. 2; and,
FIG. 7 is a rear elevation view thereof.

1 Claim, 5 Drawing Sheets



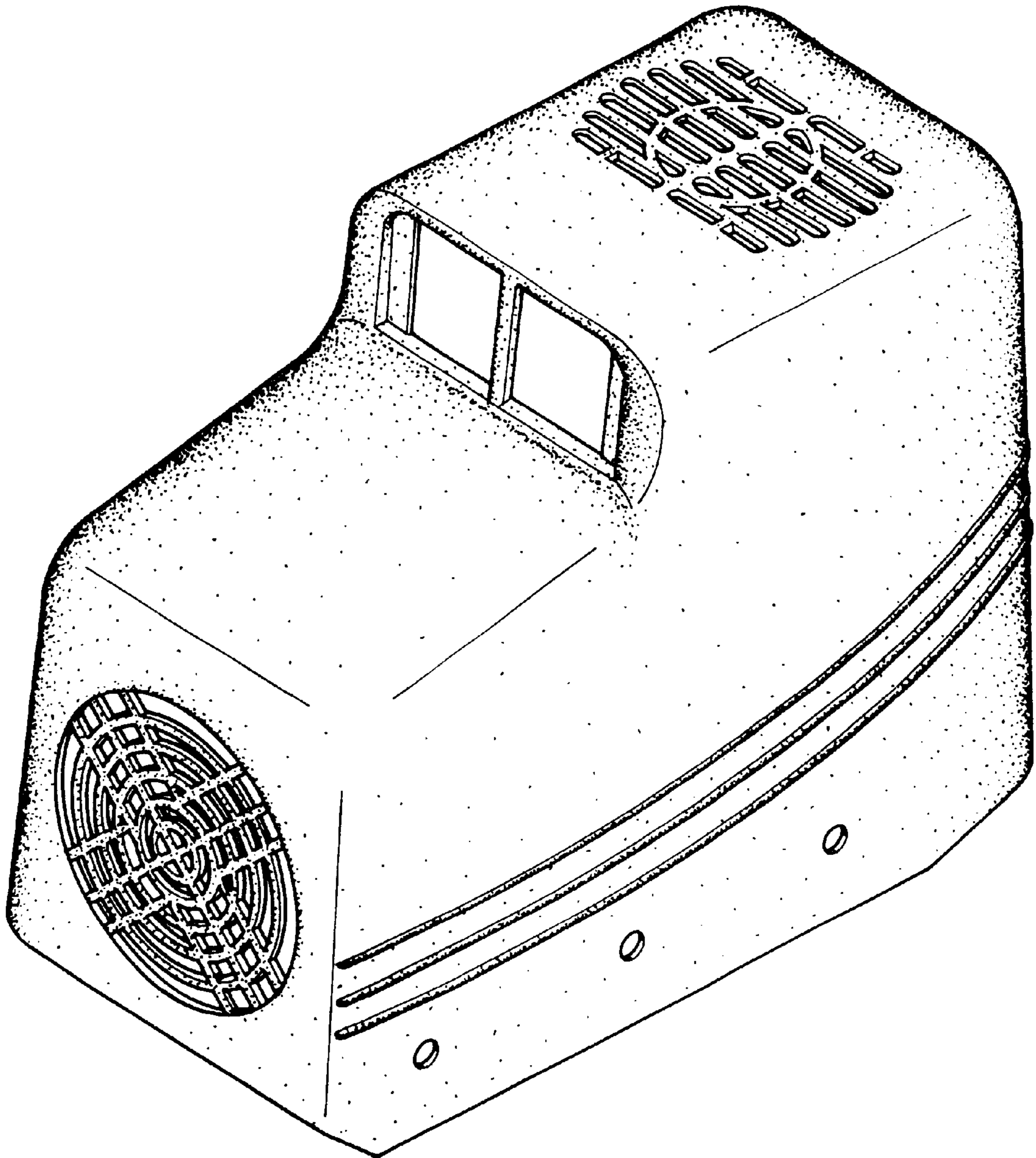


FIG. 1

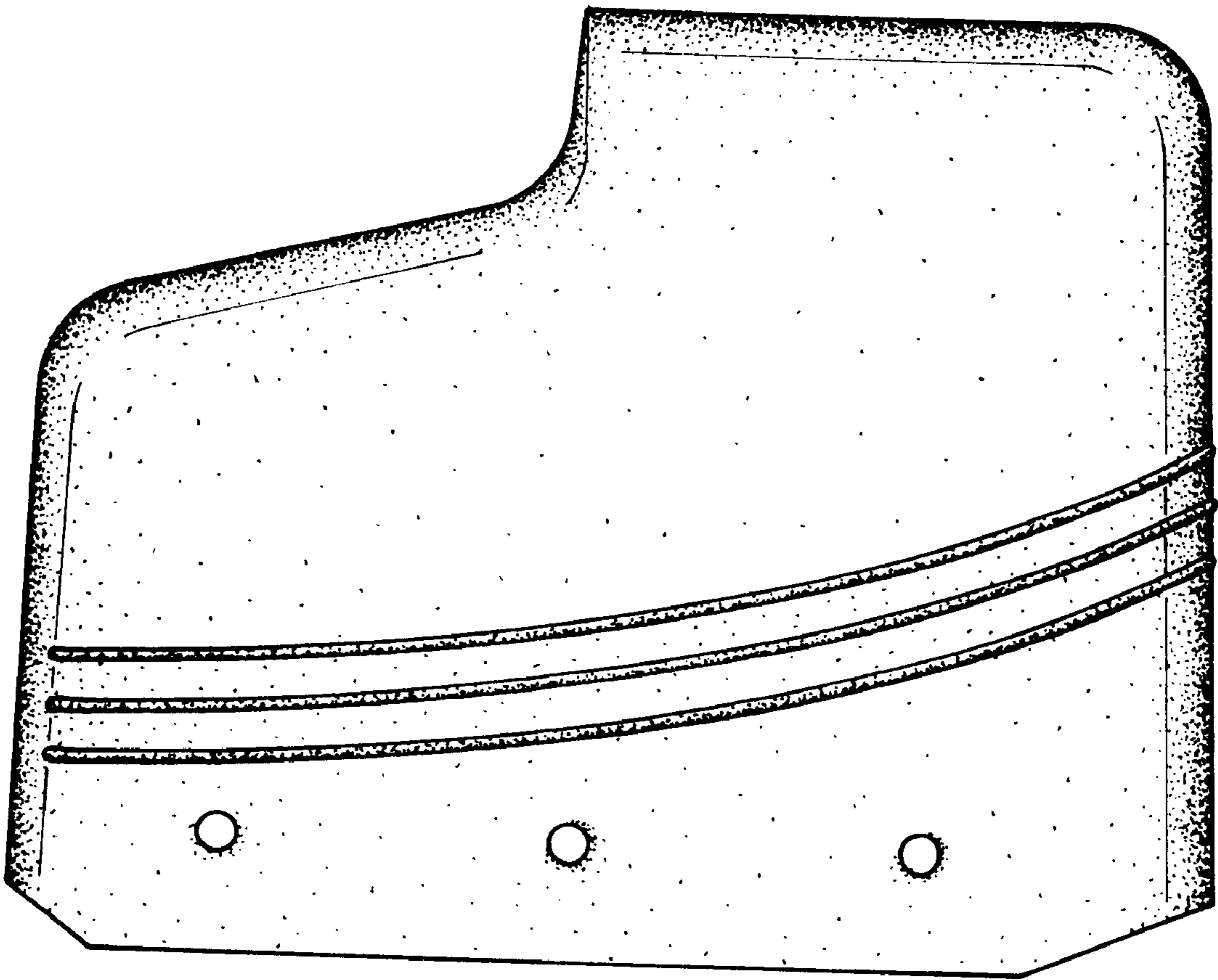


FIG. 2

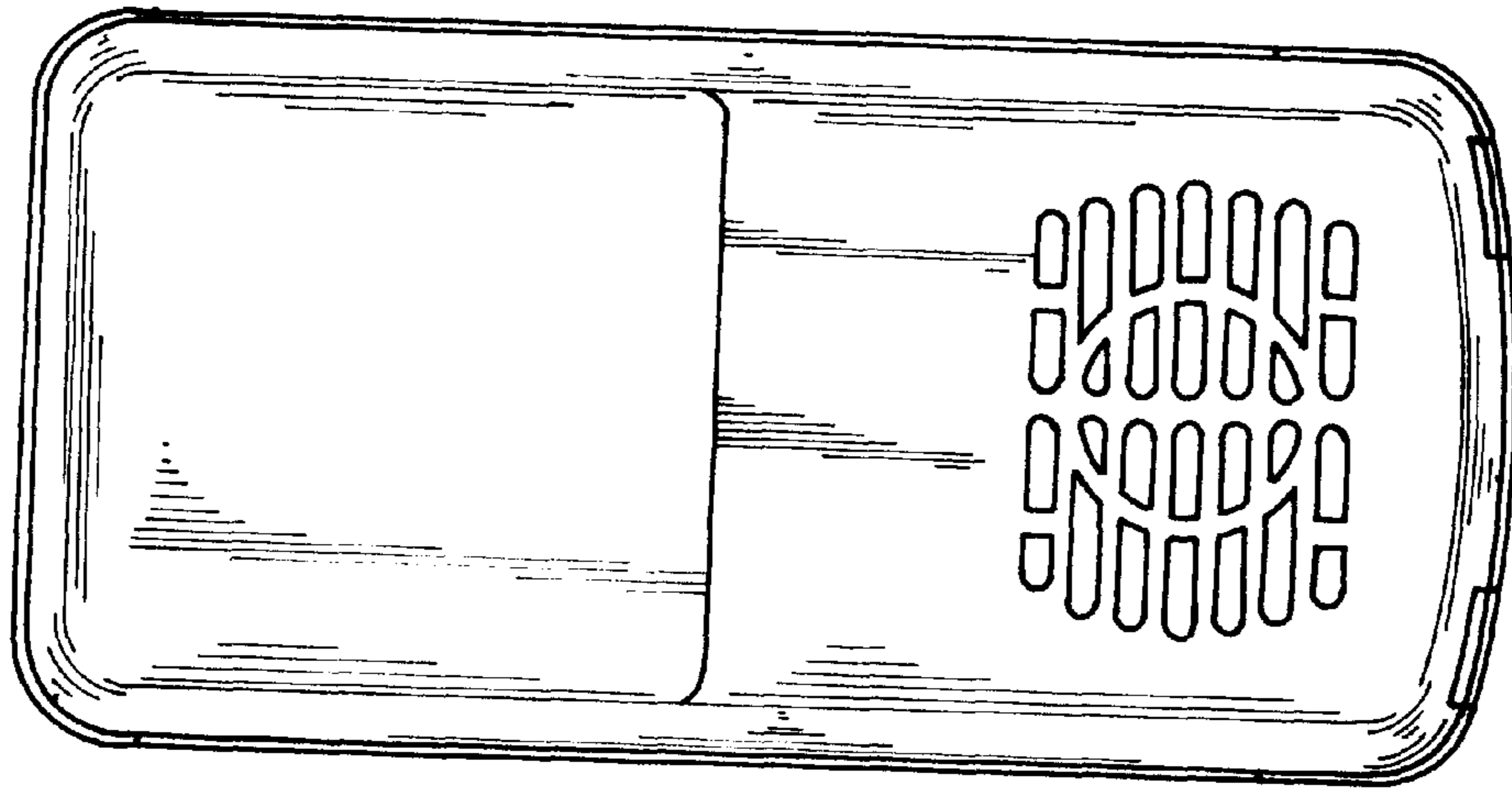


FIG. 5

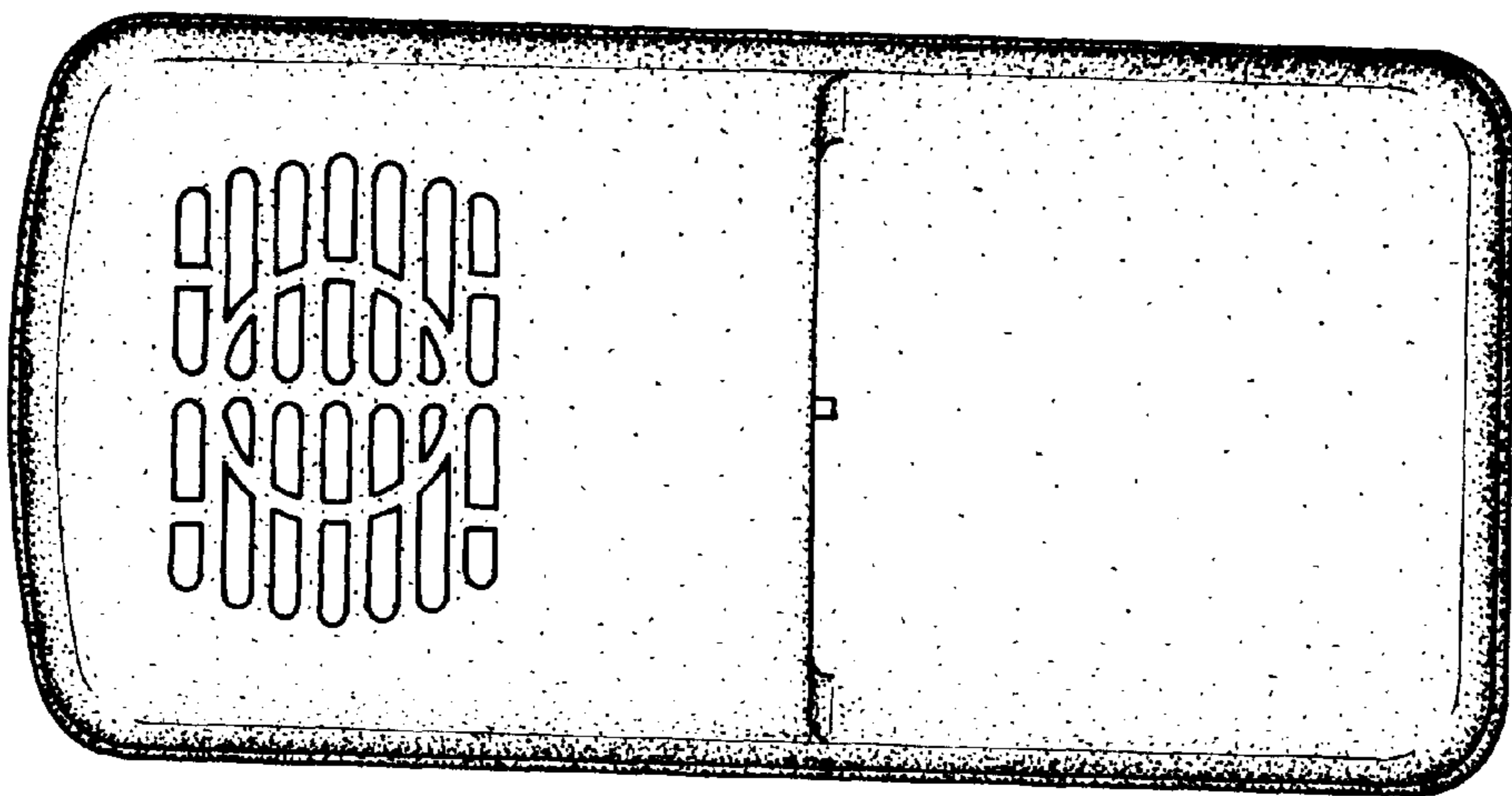


FIG. 3

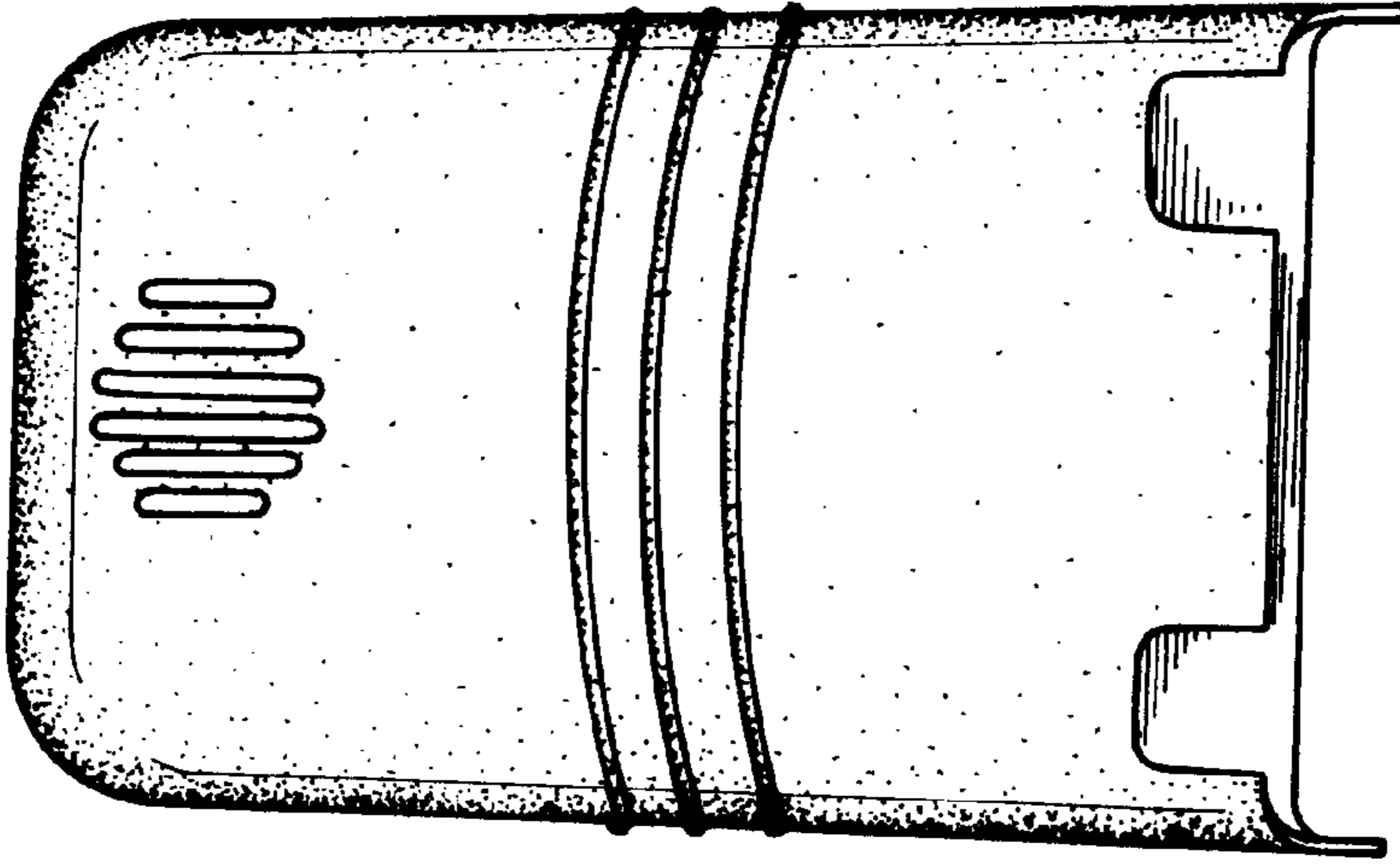


FIG. 7

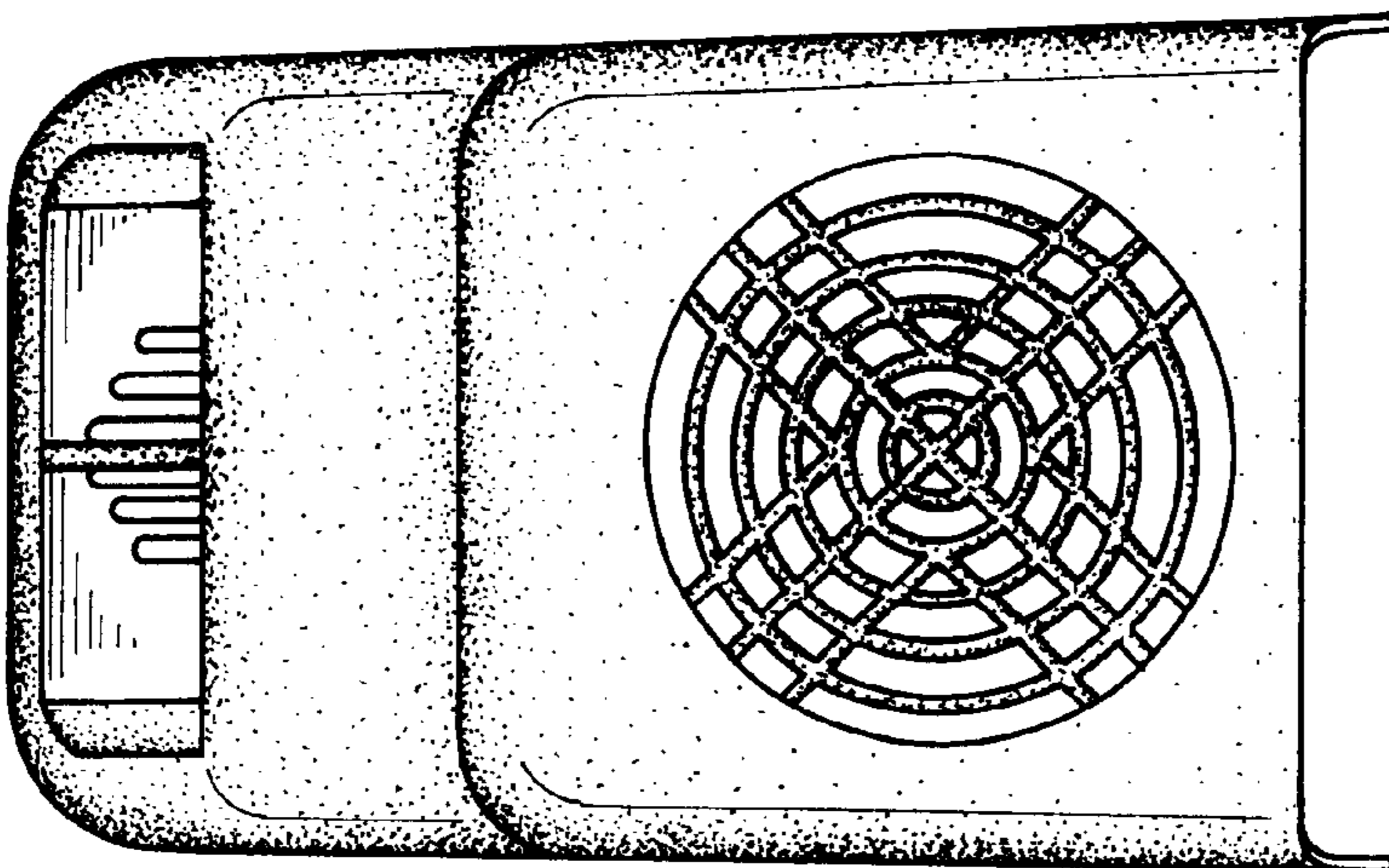


FIG. 4

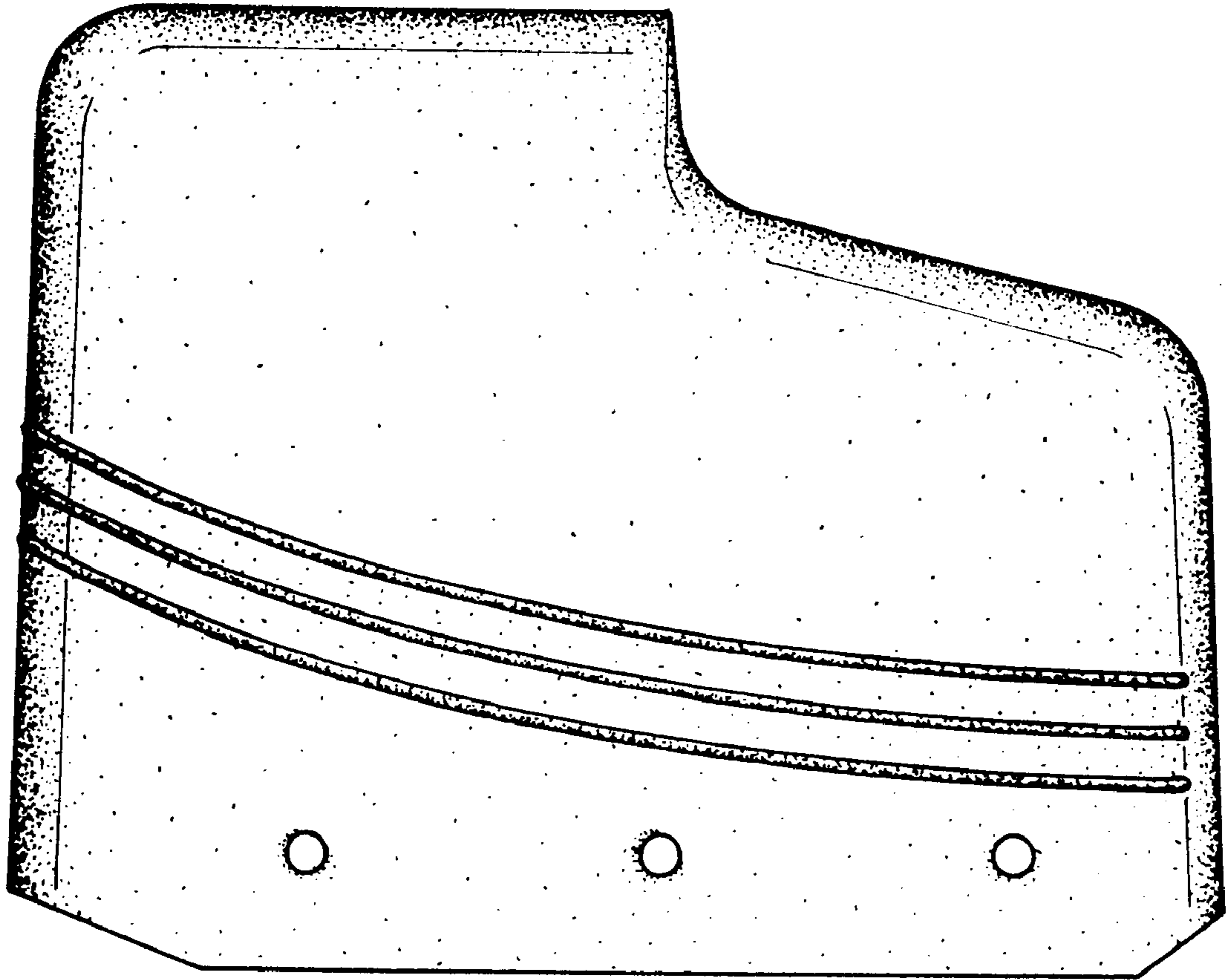


FIG. 6