



US00D472559S

(12) **United States Design Patent**
Metz

(10) **Patent No.:** **US D472,559 S**

(45) **Date of Patent:** **** Apr. 1, 2003**

(54) **BREAKDOWN ASSISTANCE UNIT**

(75) Inventor: **Markus Metz, Hannover (DE)**

(73) Assignee: **Continental Aktiengesellschaft (DE)**

(**) Term: **14 Years**

(21) Appl. No.: **29/147,647**

(22) Filed: **Sep. 4, 2001**

(30) **Foreign Application Priority Data**

Mar. 3, 2001 (DE) 401 02 383

(51) **LOC (7) Cl.** **15-02**

(52) **U.S. Cl.** **D15/9**

(58) **Field of Search** D15/7-9; 152/449;
417/410.4; 317/723

(56) **References Cited**

U.S. PATENT DOCUMENTS

D300,433 S * 3/1989 Byar et al. D15/9

D388,798 S * 1/1998 Kan D15/9

D395,050 S * 6/1998 Wong D15/9

D395,051 S * 6/1998 Bonzer D15/9

D404,398 S * 1/1999 Hall et al. D15/7

D409,627 S * 5/1999 Wang D15/9

* cited by examiner

Primary Examiner—Ralf Seifert

(74) *Attorney, Agent, or Firm*—R W Becker & Associates;
R W Becker

(57) **CLAIM**

The ornamental design for a breakdown assistance unit, as shown and described.

DESCRIPTION

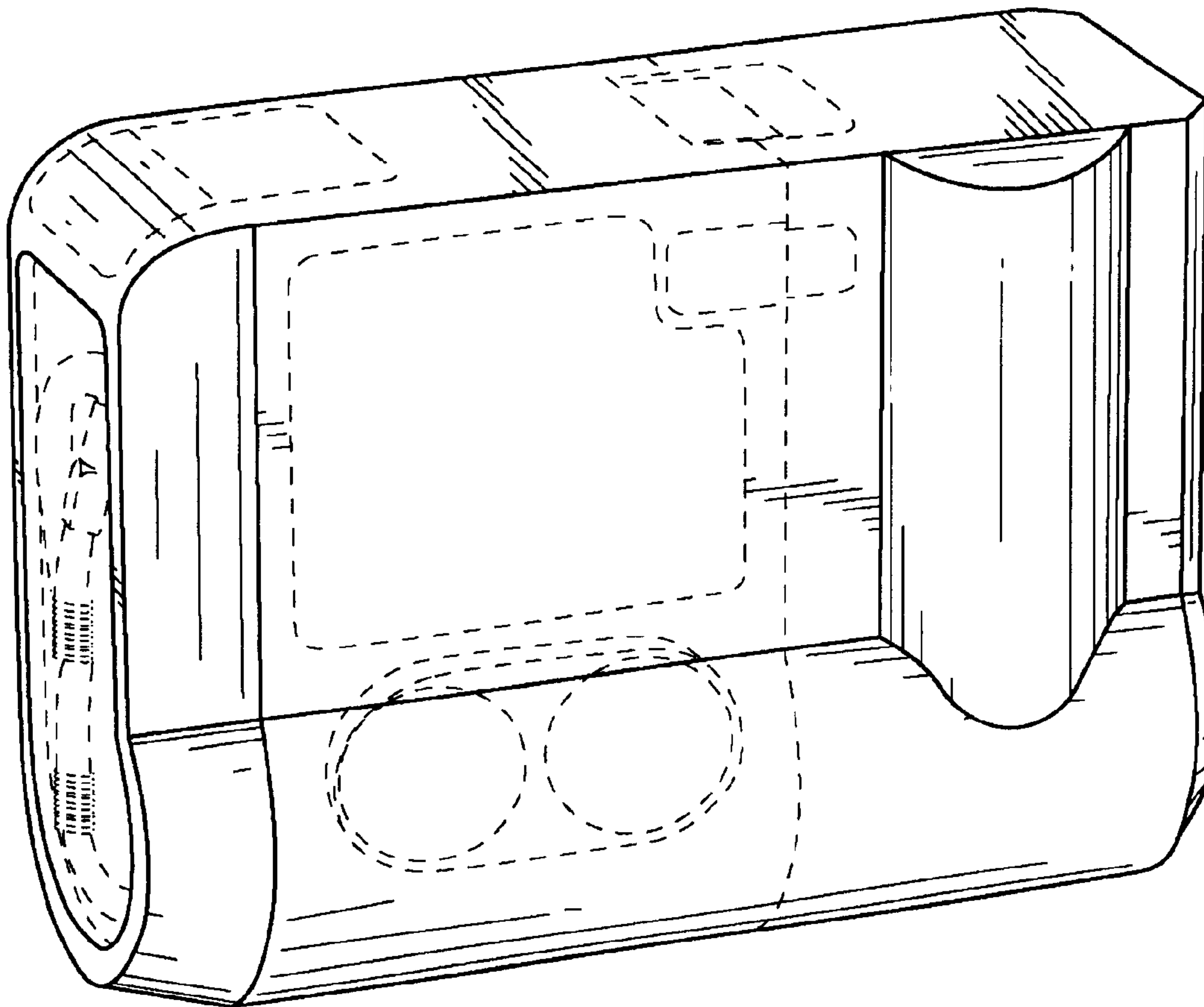
FIG. 1 is a top, left side, perspective view of a breakdown assistance unit showing my new design;

FIG. 2 is a top, right side, perspective view;

FIG. 3 is a left end perspective view; and,

FIG. 4 is a bottom plan view.

1 Claim, 4 Drawing Sheets



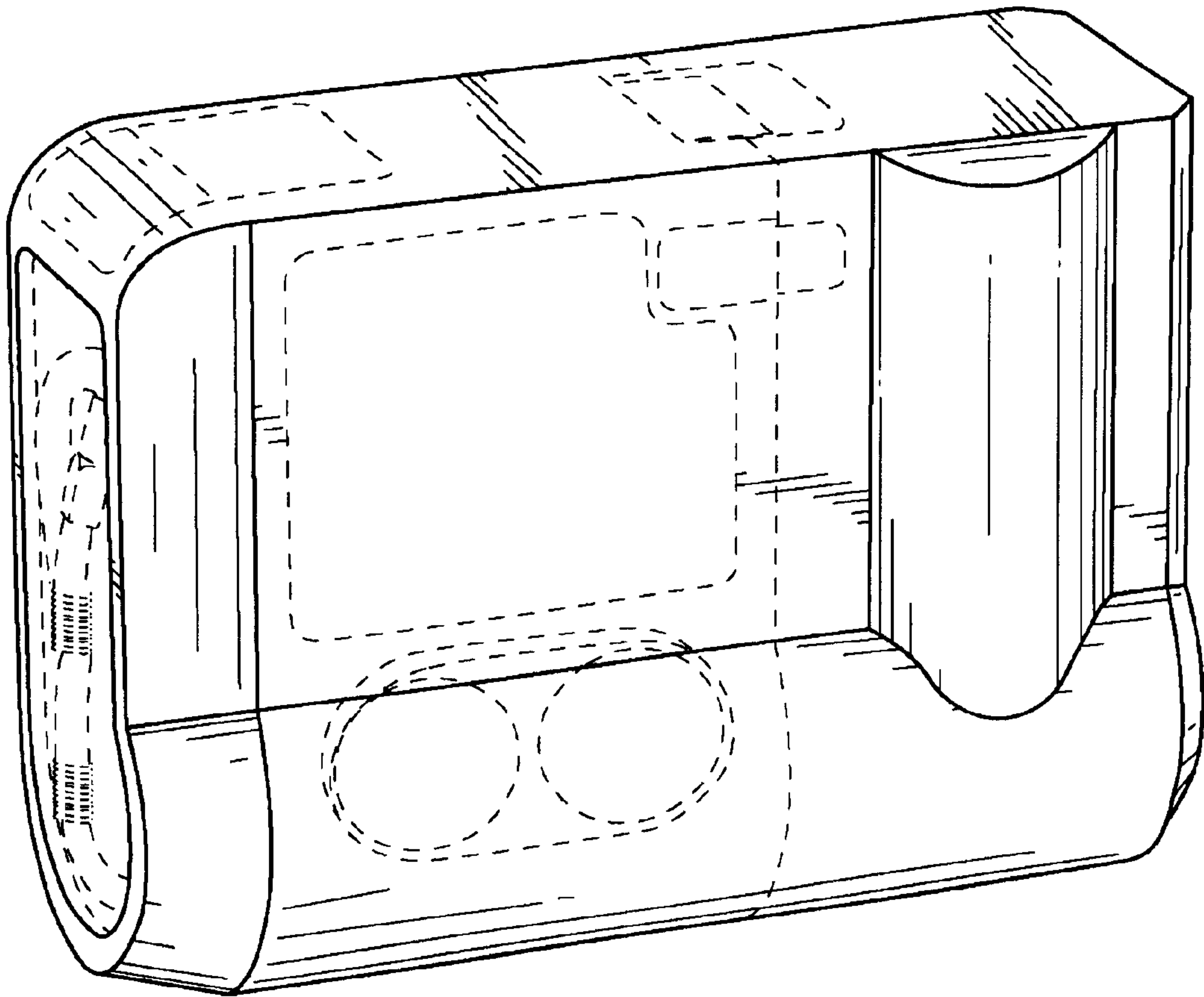


FIG. 1

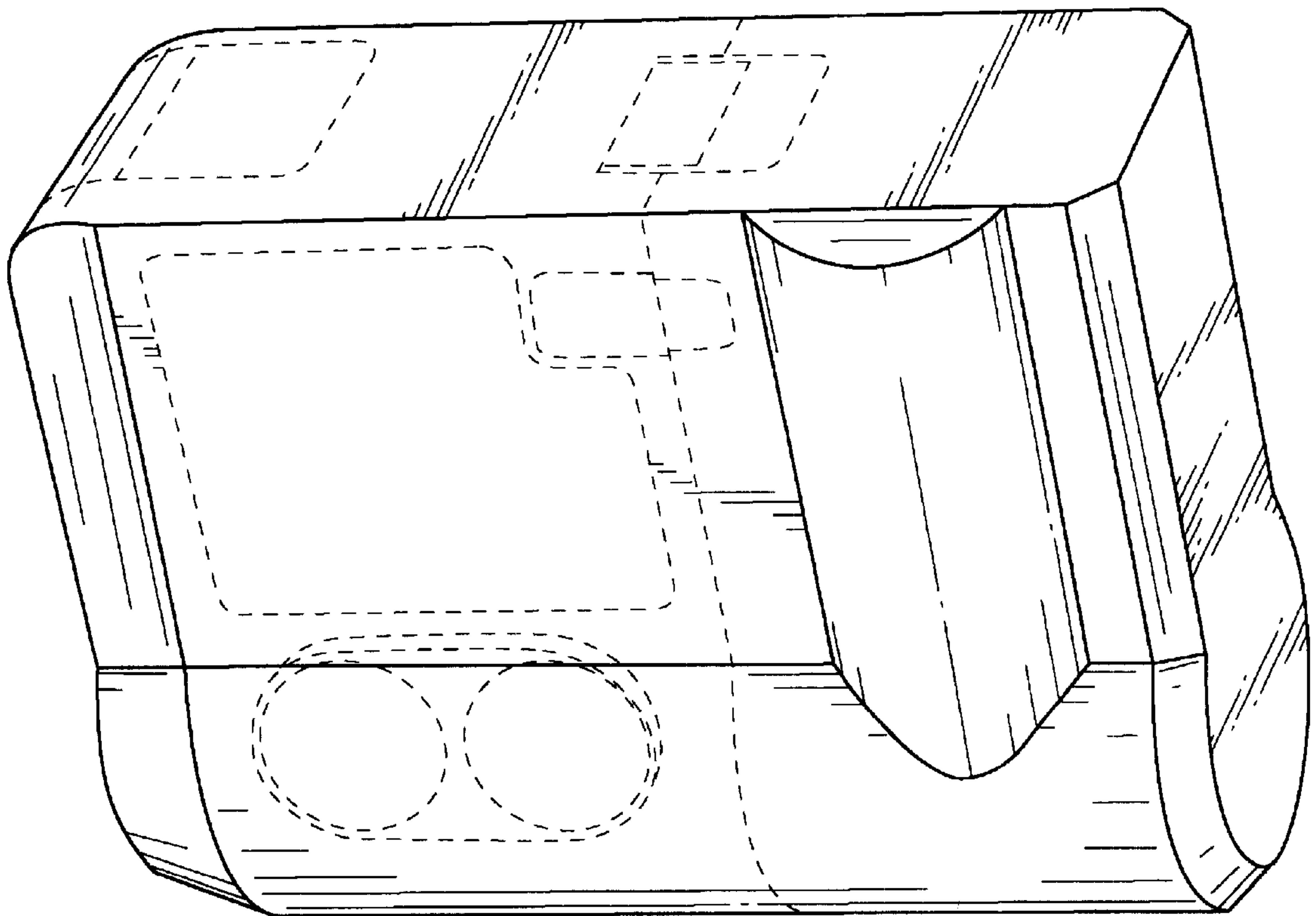


FIG.2

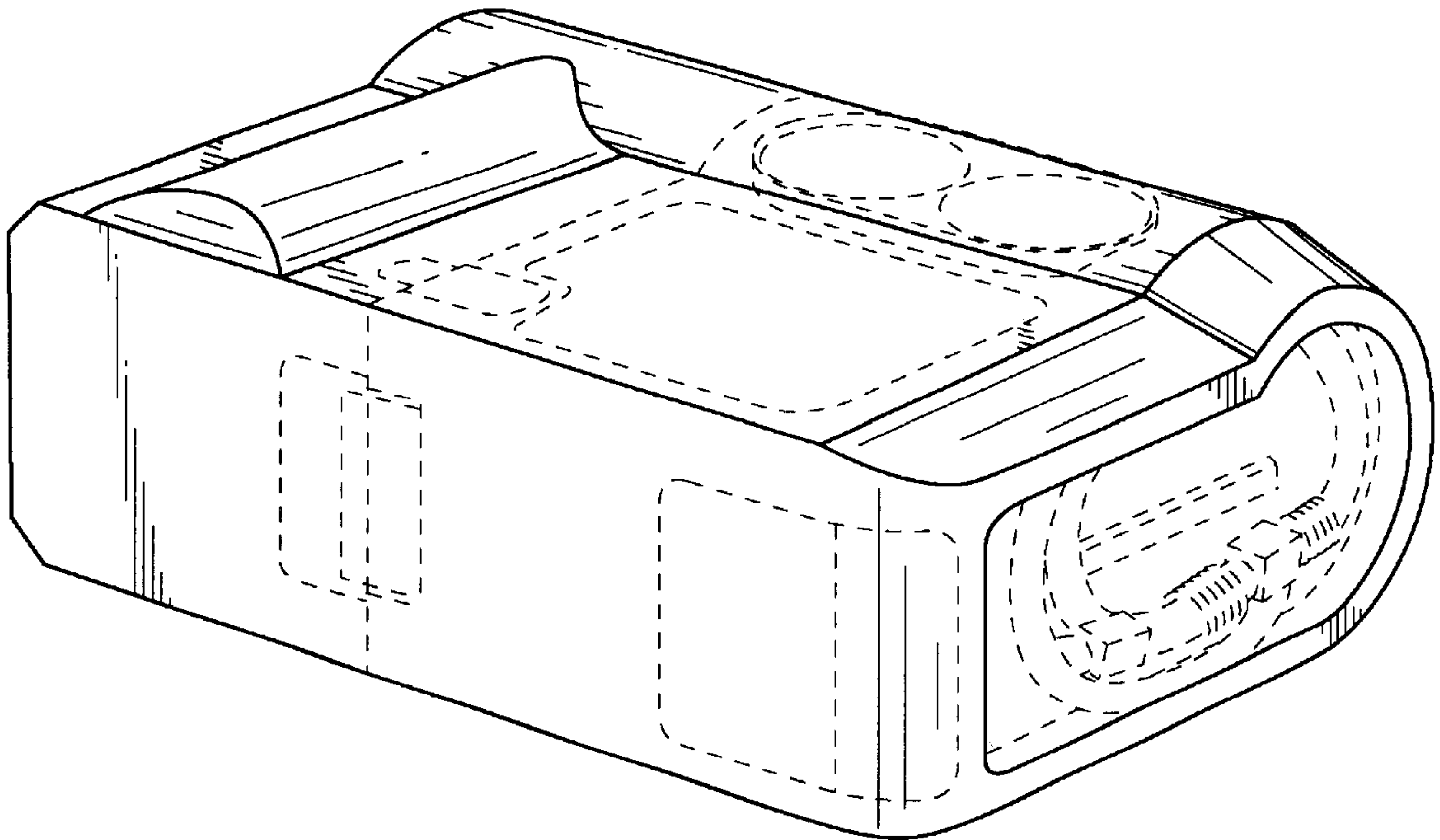


FIG.3

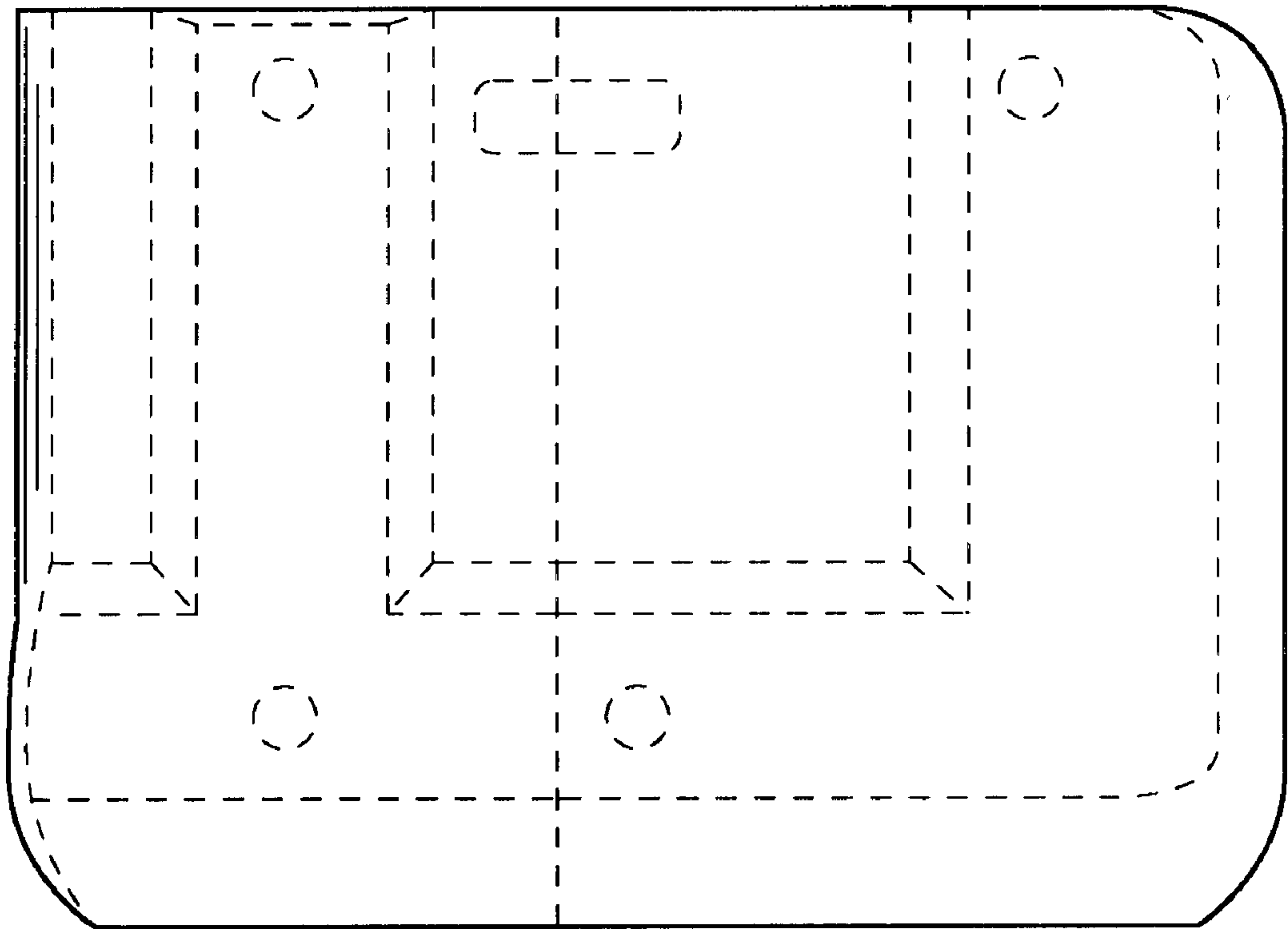


FIG. 4