



US00D472556S

(12) **United States Design Patent**
Schärer et al.

(10) **Patent No.:** **US D472,556 S**

(45) **Date of Patent:** **** Apr. 1, 2003**

(54) **SCREEN HOLDING DEVICE**

(75) Inventors: **Alexander Schärer**, Bern (CH);
Antonio Cassani, Münsingen (CH);
Kaspar Stöckli, Kiesen (CH); **Stephan Künzi**, Bern (CH)

(73) Assignee: **USM Holding AG**, Gumligen (CH)

(**) Term: **14 Years**

(21) Appl. No.: **29/157,828**

(22) Filed: **Mar. 27, 2002**

Related U.S. Application Data

(62) Division of application No. 29/133,059, filed on Nov. 22, 2000.

(30) **Foreign Application Priority Data**

May 23, 2000 (CH) 127068

(51) **LOC (7) Cl.** **14-02**

(52) **U.S. Cl.** **D14/452**

(58) **Field of Search** D14/448, 451,
D14/452; 248/917-924, 346.01, 346.02;
361/679-685; D6/449, 491, 445, 396, 512;
200/5 R, 5 A, 6 R, 6 A

(56) **References Cited**

U.S. PATENT DOCUMENTS

3,951,557 A 4/1976 Herbenar
4,447,139 A 5/1984 Biber
4,523,732 A 6/1985 Biber et al.
4,568,216 A 2/1986 Mizusawa et al.

D295,415 S * 4/1988 Thies et al. D14/452
4,765,580 A 8/1988 Wright
D317,760 S * 6/1991 Esslinger D14/451
5,505,424 A 4/1996 Niemann
5,743,503 A 4/1998 Voeller et al.
5,842,672 A 12/1998 Sweere et al.
D427,163 S * 6/2000 Bergeron Gull et al. ... D14/452

FOREIGN PATENT DOCUMENTS

CH 336567 2/1959
CH 519117 2/1972
DE 9011338 10/1990
EP 0312355 4/1989
EP 508178 10/1992

* cited by examiner

Primary Examiner—Kay H. Chin

(74) *Attorney, Agent, or Firm*—Birch, Stewart, Kolasch & Birch, LLP

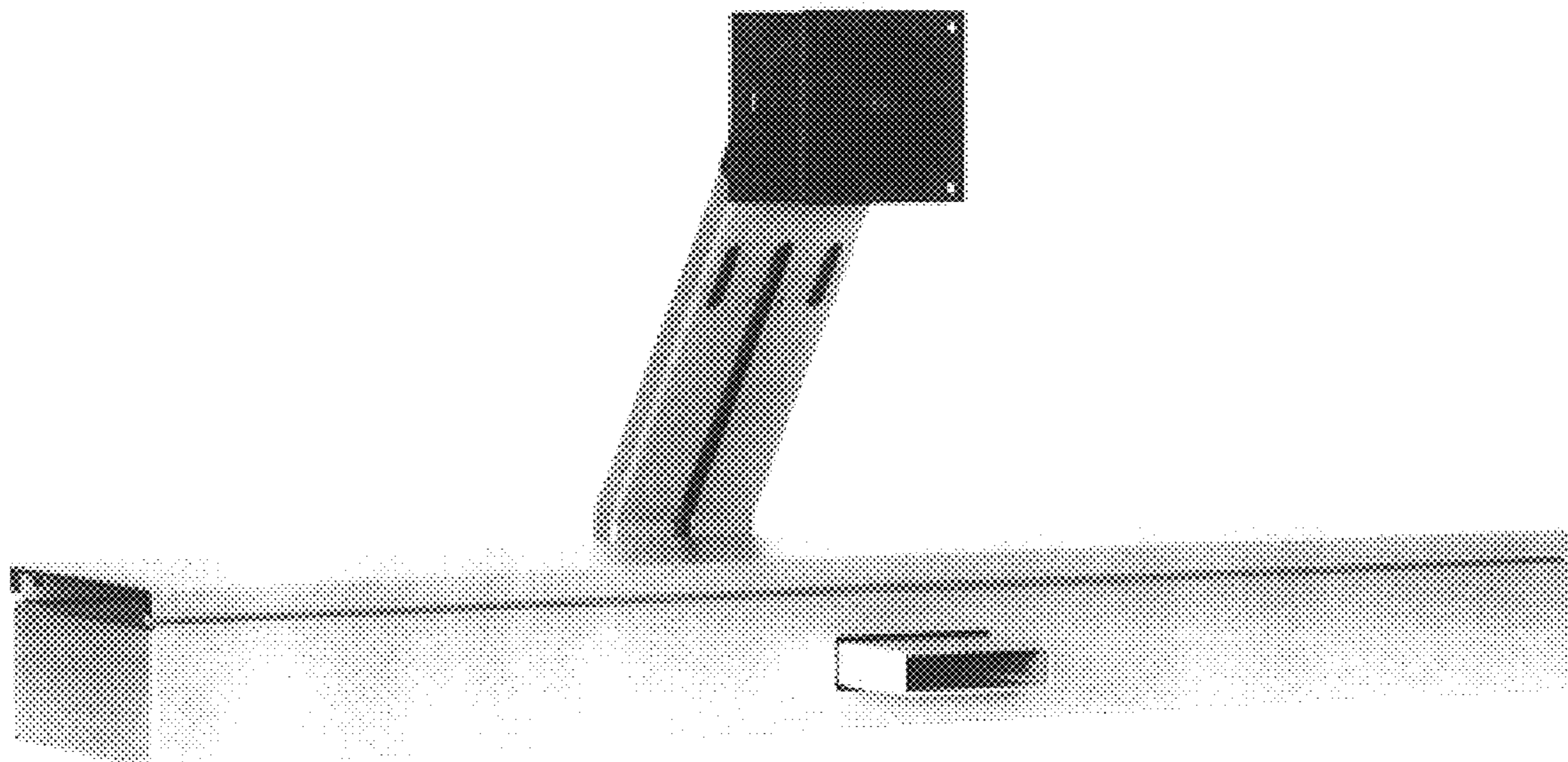
(57) **CLAIM**

The ornamental design for a screen holding device, as shown and described.

DESCRIPTION

FIG. 1 is a front perspective view of a screen holding device showing our new design;
FIG. 2 is a left side elevation view thereof;
FIG. 3 is a right side elevation view thereof;
FIG. 4 is a front elevation view thereof;
FIG. 5 is a rear elevation view thereof;
FIG. 6 is a top plan view thereof; and,
FIG. 7 is a bottom plan view thereof.

1 Claim, 5 Drawing Sheets



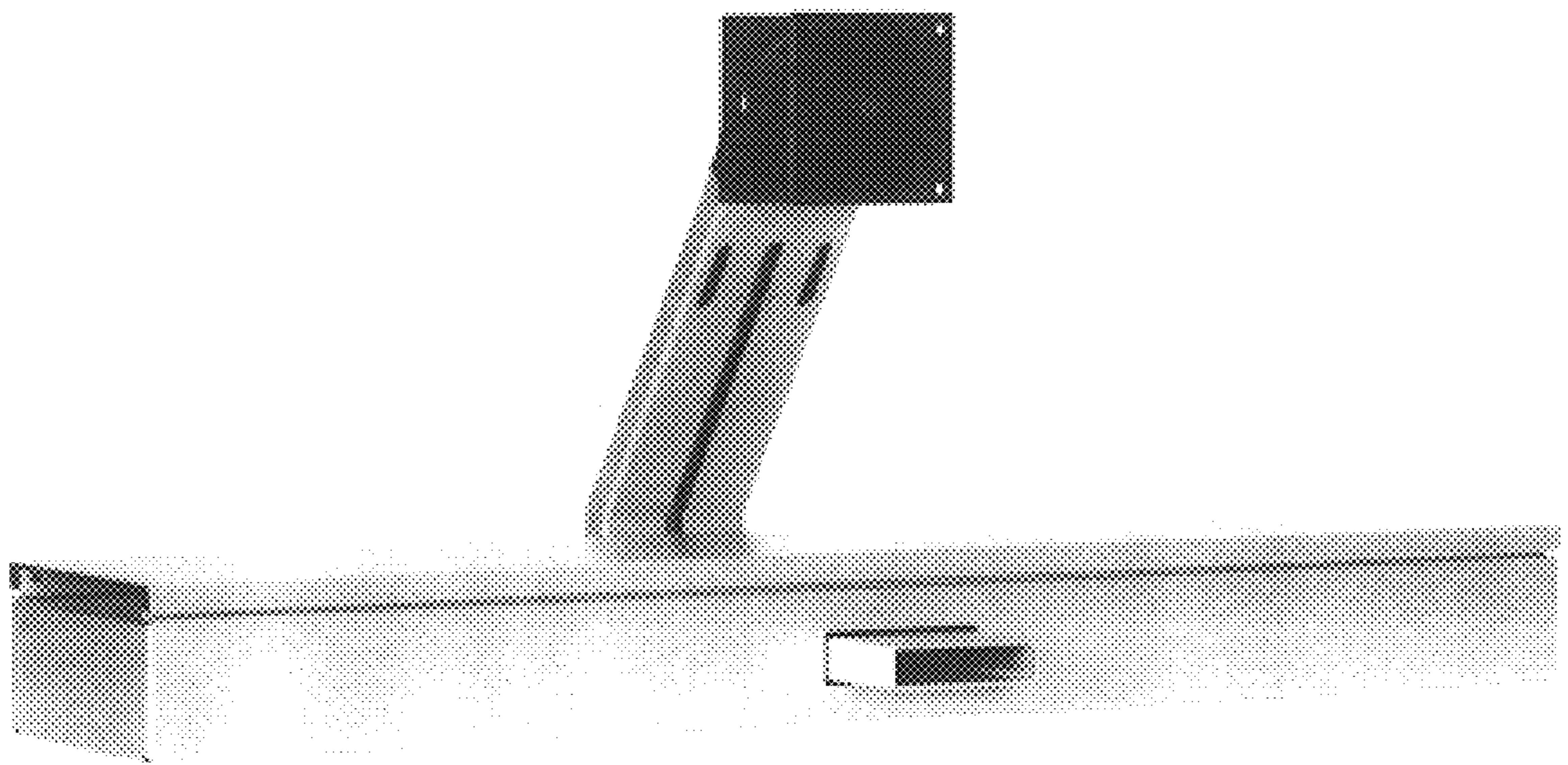


FIG. 1

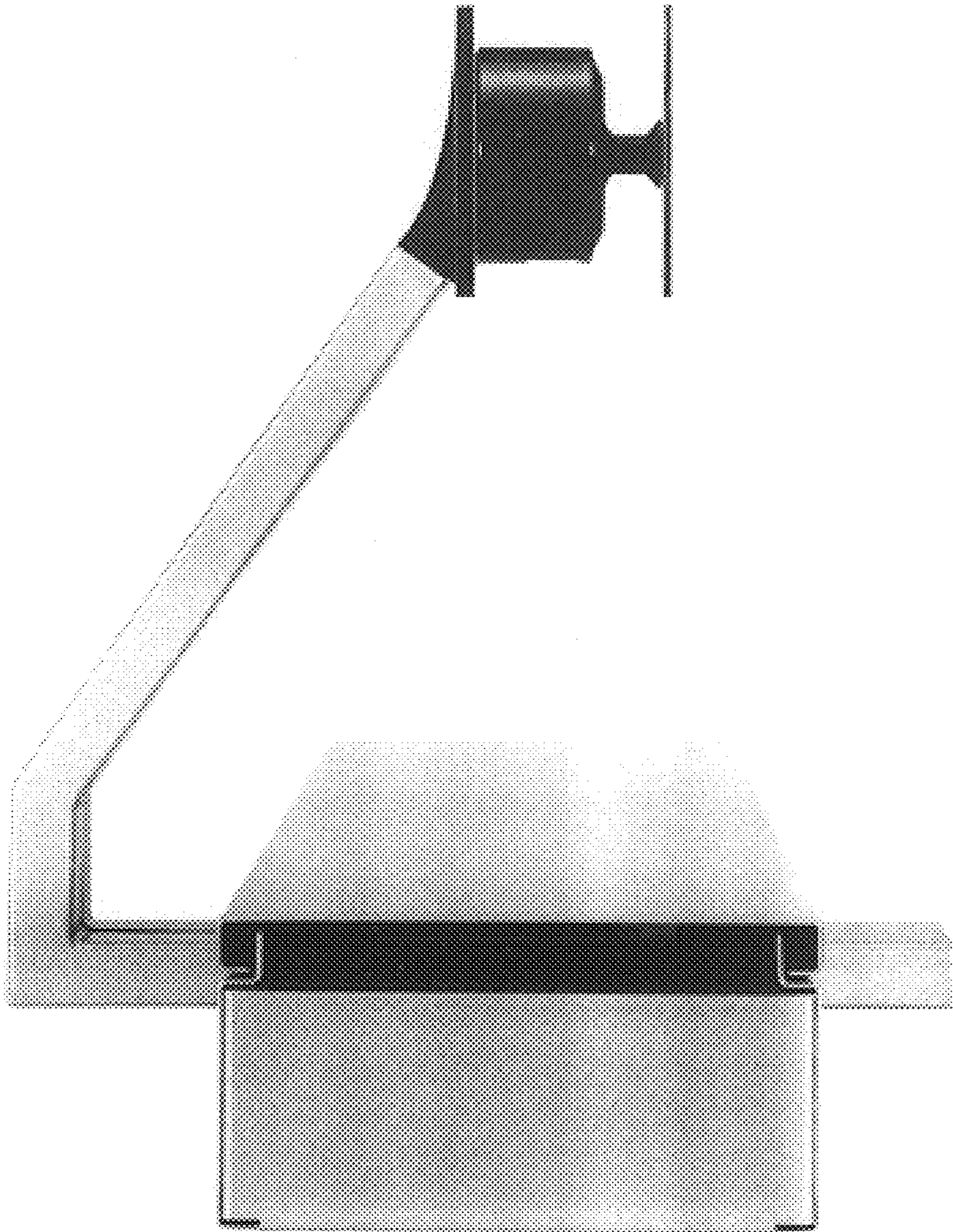


FIG. 2

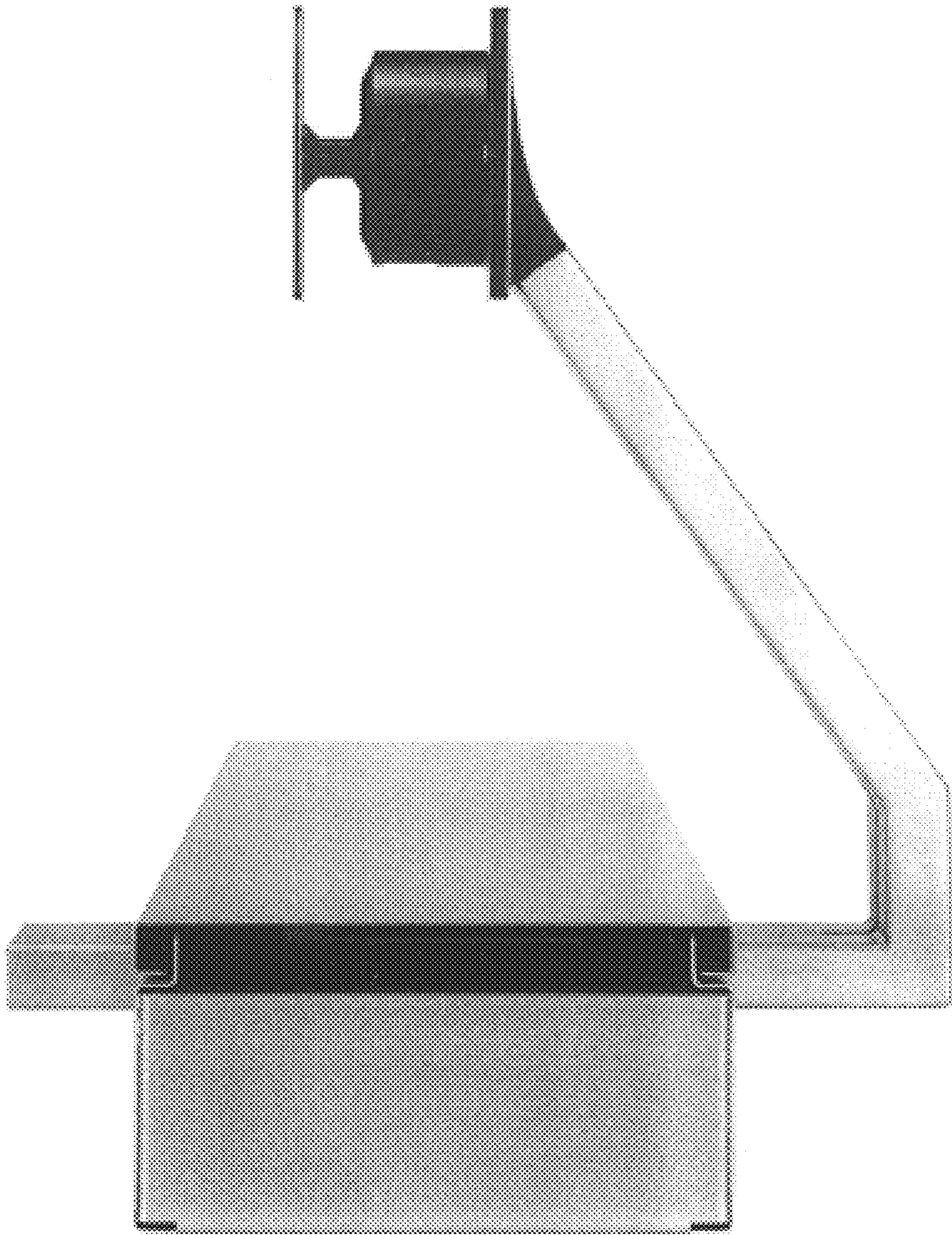


FIG. 3

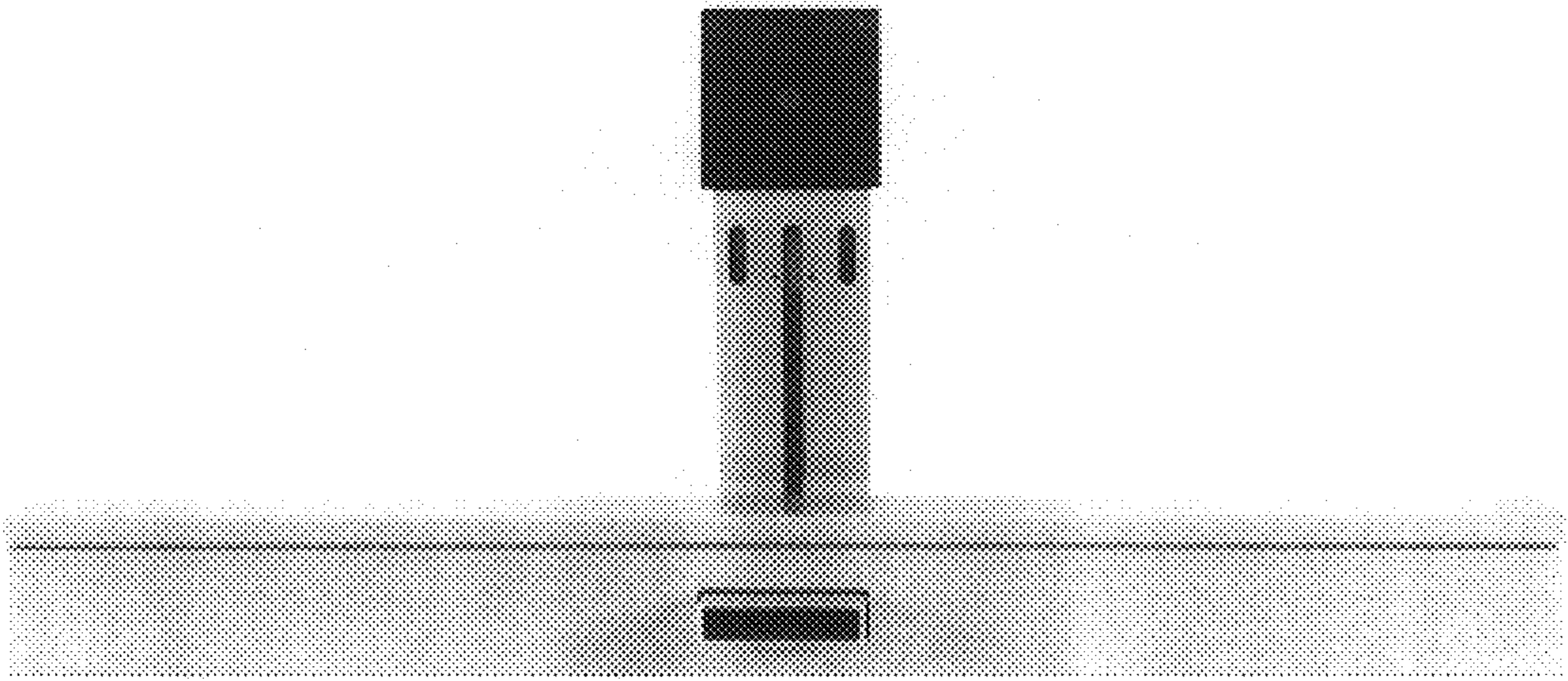


FIG. 4

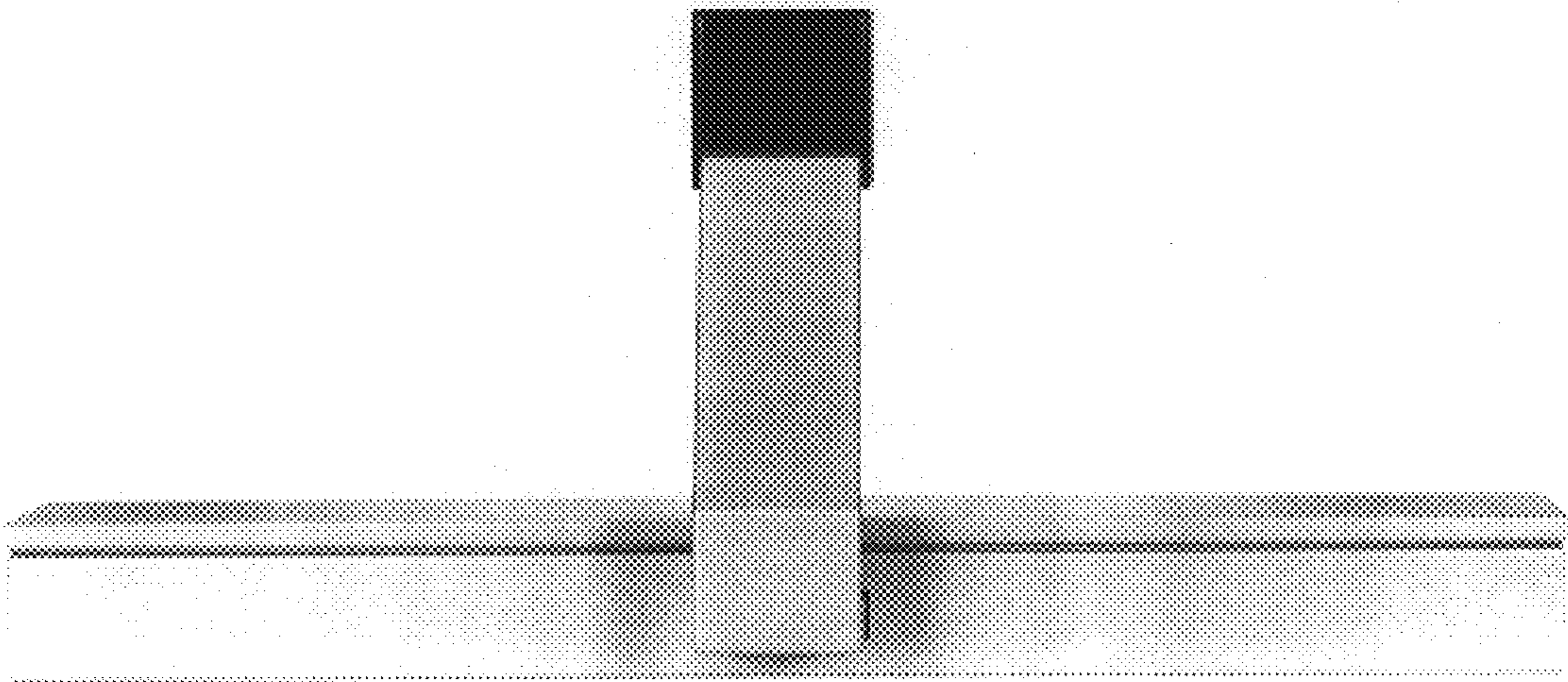


FIG. 5

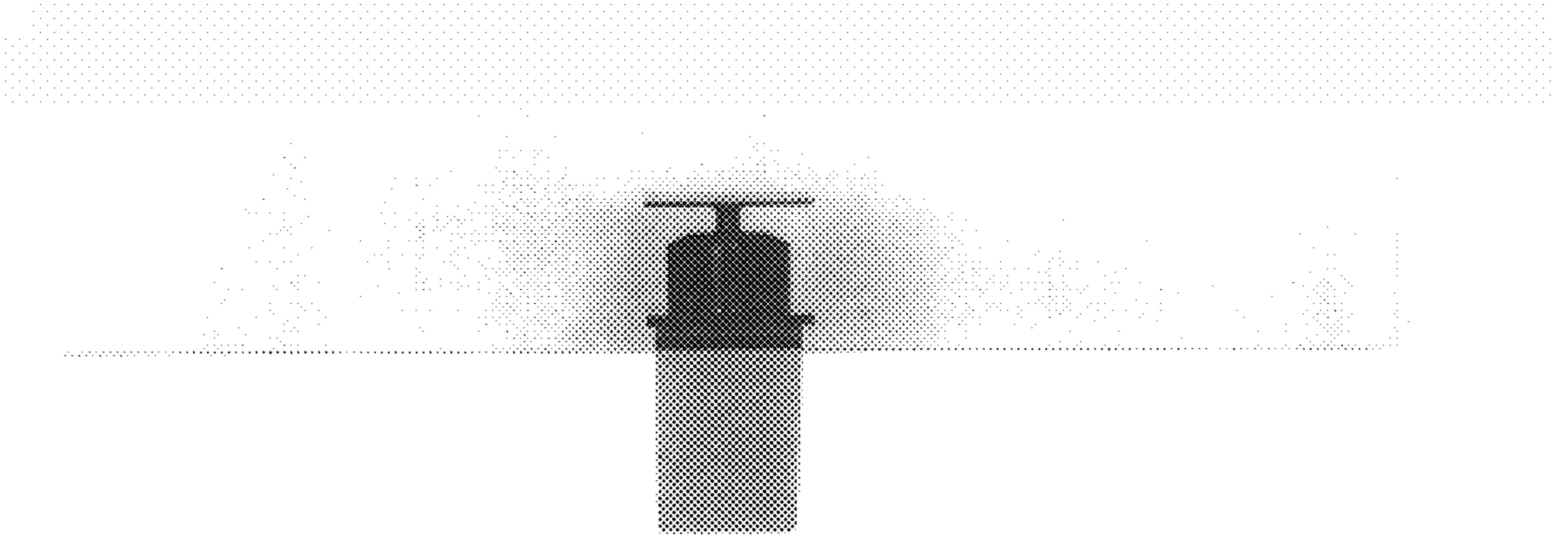


FIG. 6

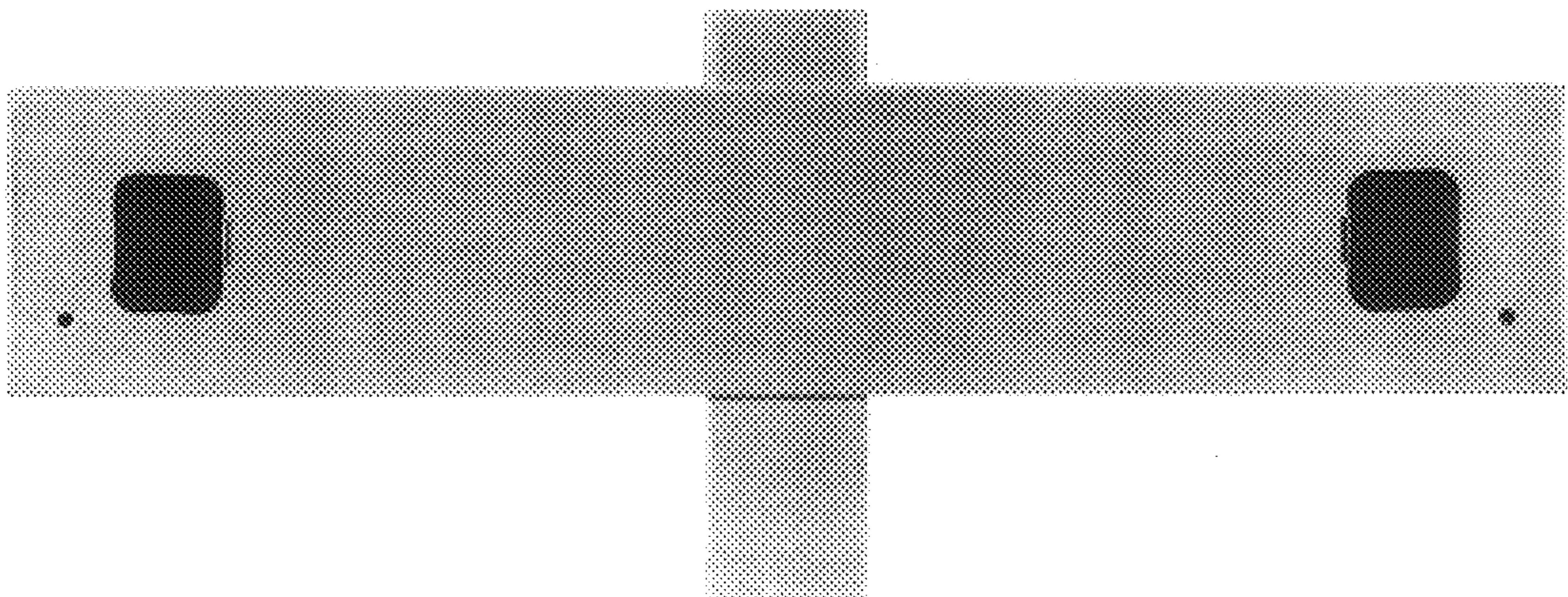


FIG. 7